



US00D940929S

(12) **United States Design Patent** (10) **Patent No.:** **US D940,929 S**
Kwon et al. (45) **Date of Patent:** **** Jan. 11, 2022**

(54) **HEAD LAMP FOR AUTOMOBILE**
(71) Applicants: **HYUNDAI MOTOR COMPANY,**
Seoul (KR); **KIA MOTORS**
CORPORATION, Seoul (KR)
(72) Inventors: **Oh-Young Kwon,** Suwon-si (KR);
Hyeong-Seon Kim, Anyang-si (KR);
Yun-Seok Oh, Ansan-si (KR)
(**) Term: **15 Years**

D803,433 S * 11/2017 Yang D26/28
D804,065 S * 11/2017 Lai D26/28
D819,241 S * 5/2018 Werner D26/28
D819,847 S * 6/2018 Woodhouse D26/28
D829,947 S * 10/2018 Jung D26/28
D830,591 S * 10/2018 Lai D26/28
D833,658 S * 11/2018 Lee D26/28
D835,308 S * 12/2018 Metros D26/28
D835,313 S * 12/2018 Jung D26/28
D855,845 S * 8/2019 Takei D26/28
D857,953 S * 8/2019 Han D26/28
D857,954 S * 8/2019 Han D26/28

(Continued)

(21) Appl. No.: **35/510,237**

OTHER PUBLICATIONS

(22) Filed: **May 19, 2020**

2021 Kia Sorento Review, Car Reviews, By: Peter Anderson, Sep. 10, 2020, practicalmotoring.com, <https://practicalmotoring.com.au/car-reviews/2021-kia-sorento-review/> (Year: 2020).*

(80) **Hague Agreement Data**

(Continued)

Int. Filing Date: **May 19, 2020**
Int. Reg. No.: **DM/209950**
Int. Reg. Date: **May 19, 2020**
Int. Reg. Pub. Date: **Sep. 4, 2020**

Primary Examiner — Steven J Czyz

(51) **LOC (13) Cl.** **26-06**

(57) **CLAIM**

(52) **U.S. Cl.**

The ornamental design for a head lamp for automobile, as shown and described.

USPC **D26/28**

DESCRIPTION

(58) **Field of Classification Search**

USPC D26/28, 29, 30, 31, 32, 33, 34, 35, 36
CPC .. F21S 41/00; F21S 41/10; F21S 41/14; F21S 41/141; F21S 41/19; F21S 41/20; F21S 41/30; F21V 5/00; F21V 21/04; F21V 29/004; B60Q 1/30; B60Q 1/2607; B60Q 1/2619; B60Q 1/2696

1. Head lamp for automobile

See application file for complete search history.

- 1.1 : Perspective
- 1.2 : Front
- 1.3 : Back
- 1.4 : Left
- 1.5 : Right
- 1.6 : Top
- 1.7 : Bottom

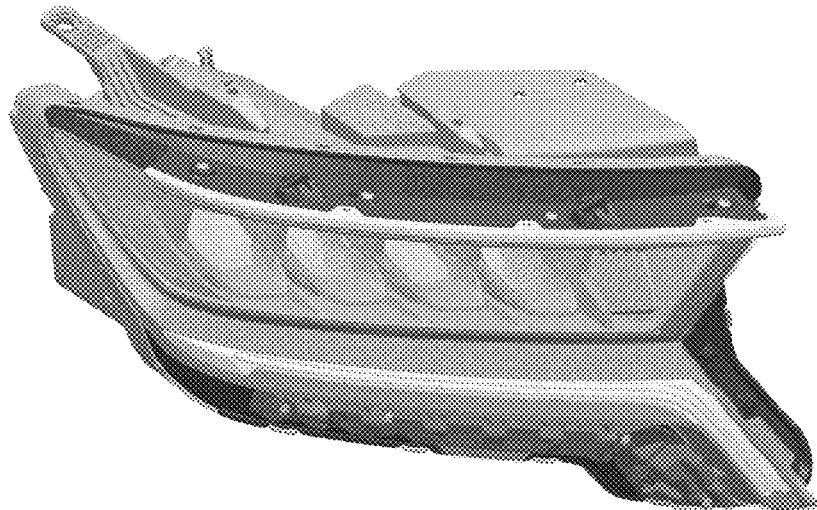
(56) **References Cited**

1.1 is a perspective view of a head lamp for automobile showing our new design; 1.2 is a front elevation view thereof; 1.3 is a back elevation view thereof; 1.4 is a left side elevation view thereof; 1.5 is a right side elevation view thereof; 1.6 is a top plan view thereof; and 1.7 is a bottom plan view thereof.

U.S. PATENT DOCUMENTS

1 Claim, 7 Drawing Sheets

D783,189 S * 4/2017 Nishii D26/28
D787,726 S * 5/2017 Hong D26/28
D788,956 S * 6/2017 Hong D26/28
D792,622 S * 7/2017 Briscoe D26/28
D794,851 S * 8/2017 Youn D26/28
D794,853 S * 8/2017 Lai D26/28



(56)

References Cited

U.S. PATENT DOCUMENTS

D867,638 S * 11/2019 Kong D26/28
 D869,701 S * 12/2019 Wu D26/28
 D869,707 S * 12/2019 Wu D26/28
 D869,713 S * 12/2019 Shim D26/35
 D870,328 S * 12/2019 Wu D26/28
 D870,934 S * 12/2019 Wu D26/28
 D870,936 S * 12/2019 Wu D26/28
 D883,538 S * 5/2020 Lai D26/28
 D883,539 S * 5/2020 Yu D26/28
 D884,940 S * 5/2020 He D26/28
 D887,050 S * 6/2020 Lin D26/28
 D887,595 S * 6/2020 Wu D26/28
 D889,001 S * 6/2020 He D26/28
 D890,380 S * 7/2020 Wu D26/28
 D893,063 S * 8/2020 He D26/28
 D893,769 S * 8/2020 He D26/28
 D893,771 S * 8/2020 Lin D26/28
 D895,180 S * 9/2020 Hong D26/28
 D898,243 S * 10/2020 He D26/28
 D901,733 S * 11/2020 Kim D26/28
 D902,455 S * 11/2020 Lucas D26/28
 D902,458 S * 11/2020 Kim D26/28
 D903,909 S * 12/2020 Kimura D26/28
 D903,911 S * 12/2020 Kato D26/28
 D905,306 S * 12/2020 Lai D26/28
 D905,876 S * 12/2020 Wu D26/28
 D905,879 S * 12/2020 Katou D26/28
 D905,880 S * 12/2020 Katou D26/28
 D907,264 S * 1/2021 Lin D26/28
 D908,257 S * 1/2021 Sato D26/28
 D908,934 S * 1/2021 Sato D26/28
 D908,935 S * 1/2021 Lin D26/28
 D908,937 S * 1/2021 Chen D26/28
 D909,638 S * 2/2021 Wu D26/28
 D909,639 S * 2/2021 Chen D26/28
 D910,892 S * 2/2021 Tanaka D26/28
 D911,562 S * 2/2021 Lin D26/28
 D912,281 S * 3/2021 Kim D26/28
 D912,859 S * 3/2021 Wu D26/28
 D912,862 S * 3/2021 Wu D26/28
 D912,864 S * 3/2021 Wu D26/28
 D912,875 S * 3/2021 Wu D26/28
 D913,541 S * 3/2021 Thomas D26/28
 D913,543 S * 3/2021 Thomas D26/28
 D913,549 S * 3/2021 Nishii D26/28
 D913,551 S * 3/2021 Sin D26/28
 D914,255 S * 3/2021 Hong D26/28
 D914,931 S * 3/2021 Kim D26/28
 D914,933 S * 3/2021 Kim D26/28
 D915,646 S * 4/2021 Kim D26/28
 D917,745 S * 4/2021 Wu D26/28
 D917,746 S * 4/2021 Wu D26/28
 D919,135 S * 5/2021 Yu D26/28
 D919,141 S * 5/2021 Wu D26/28

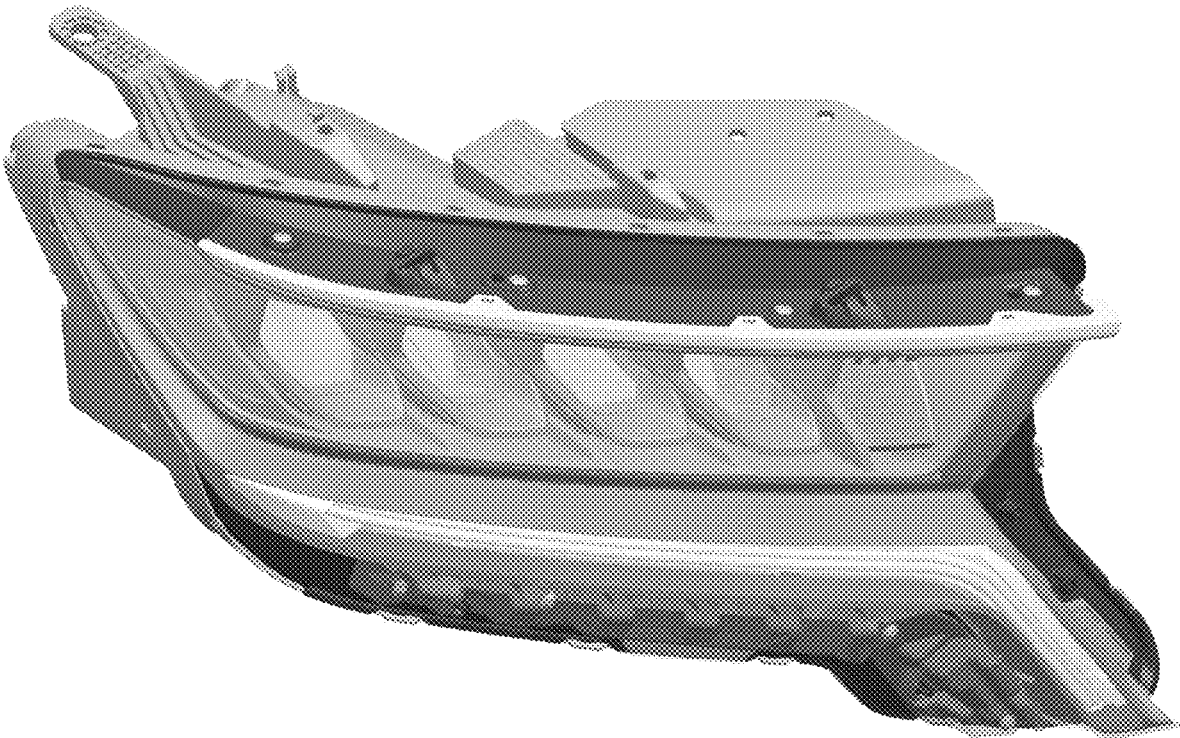
D919,844 S * 5/2021 Lai D26/28
 D919,845 S * 5/2021 Lin D26/28
 D919,848 S * 5/2021 Piaskowski D26/28
 D920,551 S * 5/2021 Lin D26/28
 D921,240 S * 6/2021 He D26/28
 D921,241 S * 6/2021 He D26/28
 D921,242 S * 6/2021 He D26/28
 D921,243 S * 6/2021 He D26/28
 D921,245 S * 6/2021 Jung D26/28
 D921,247 S * 6/2021 Kim D26/28
 D921,938 S * 6/2021 Lin D26/28
 D921,939 S * 6/2021 He D26/28
 D921,941 S * 6/2021 Lin D26/28
 D921,942 S * 6/2021 Lin D26/28
 D921,943 S * 6/2021 Lin D26/28
 D921,944 S * 6/2021 Lin D26/28
 D922,622 S * 6/2021 Kato D26/28
 D922,623 S * 6/2021 He D26/28
 D922,631 S * 6/2021 Kim D26/28
 D922,633 S * 6/2021 Jin D26/28
 D923,214 S * 6/2021 He D26/28
 D923,827 S * 6/2021 Loisch D26/28
 D923,828 S * 6/2021 Loisch D26/28
 D923,829 S * 6/2021 Chen D26/28
 D923,830 S * 6/2021 Chen D26/28
 D923,831 S * 6/2021 Chen D26/28
 D923,833 S * 6/2021 Chen D26/28
 D924,450 S * 7/2021 Fukunaga D26/28
 D925,078 S * 7/2021 Lin D26/28
 D925,079 S * 7/2021 Wu D26/28
 D925,792 S * 7/2021 Lin D26/28
 D925,795 S * 7/2021 Yang D26/28
 D928,353 S * 8/2021 Huenink D26/28
 D928,354 S * 8/2021 Huenink D26/28
 D928,361 S * 8/2021 Lin D26/28
 D928,362 S * 8/2021 Lin D26/28
 D928,363 S * 8/2021 Lin D26/28
 D928,366 S * 8/2021 Thomas D26/28
 D929,000 S * 8/2021 Wu D26/28
 D929,003 S * 8/2021 Thomas D26/28
 D929,622 S * 8/2021 Wu D26/28
 D929,623 S * 8/2021 Yang D26/28
 D929,624 S * 8/2021 Yang D26/28
 D929,625 S * 8/2021 Yeh D26/28
 D929,626 S * 8/2021 Yeh D26/28
 D930,198 S * 9/2021 Wu D26/28
 D930,199 S * 9/2021 Chen D26/28

OTHER PUBLICATIONS

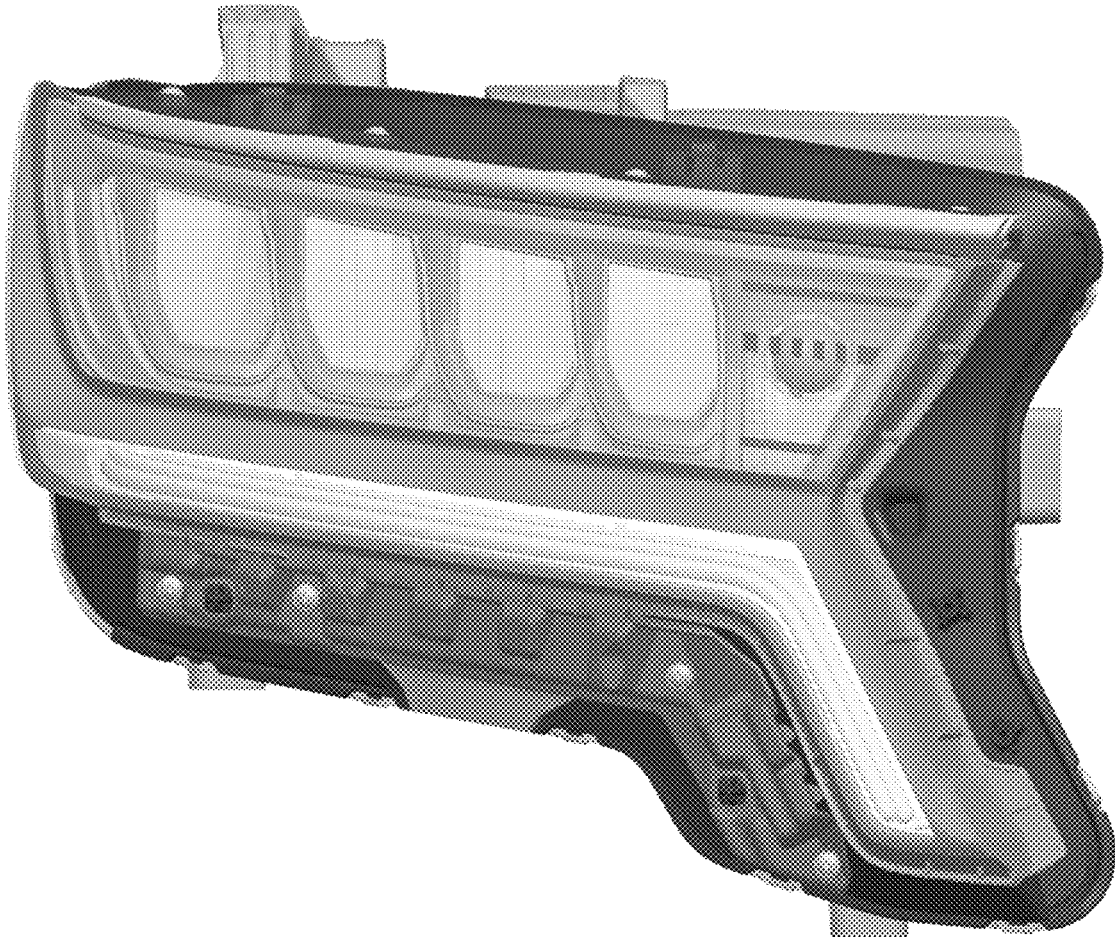
2021 KIA Sorento LED Lights on the All-New SUV Now at Birchwood KIA West in Winnipeg, Birchwood Kia West, Dec. 19, 2020, youtube.com, <https://www.youtube.com/watch?v=mTt7VjGlyo8> (Year: 2020).*

* cited by examiner

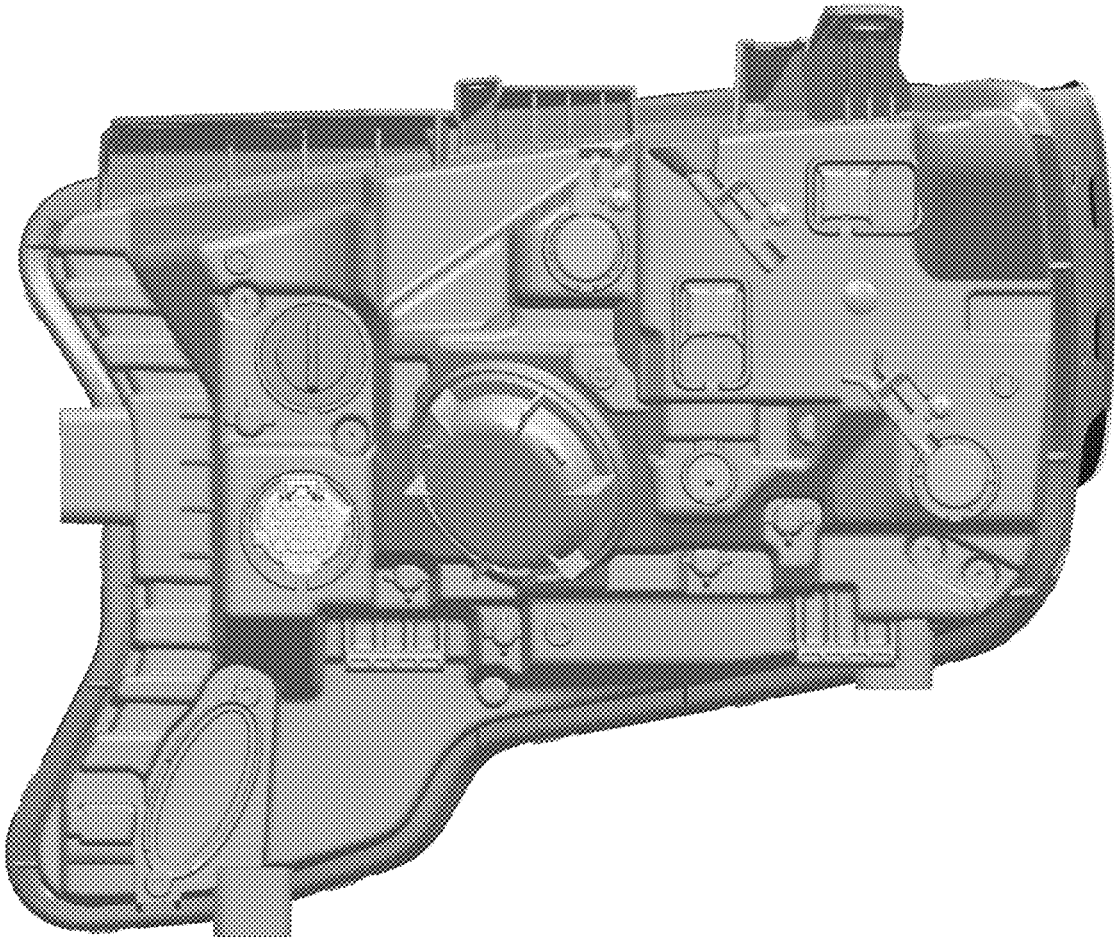
1.1



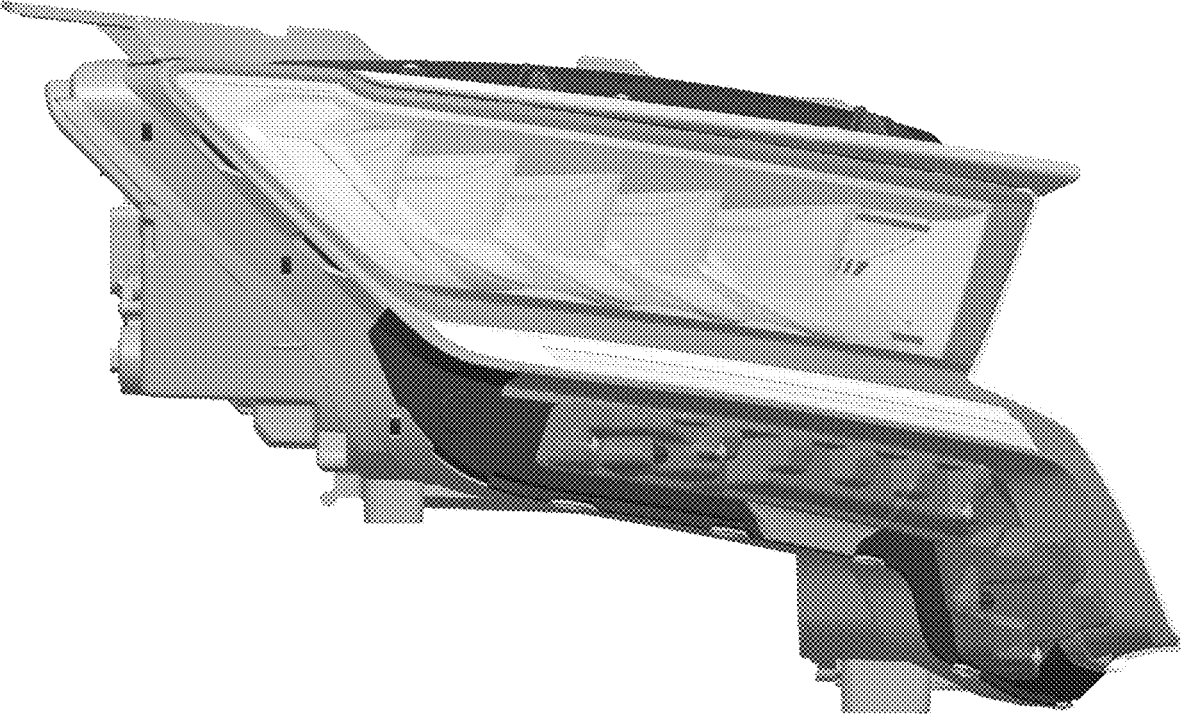
1.2



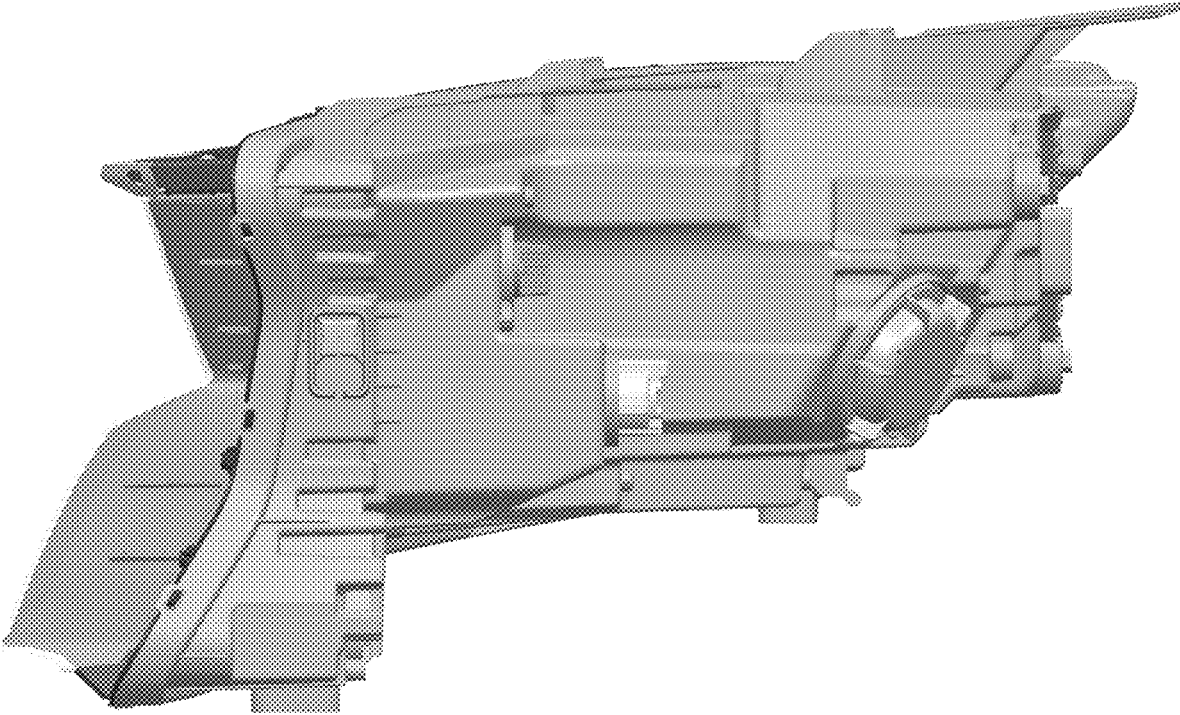
1.3



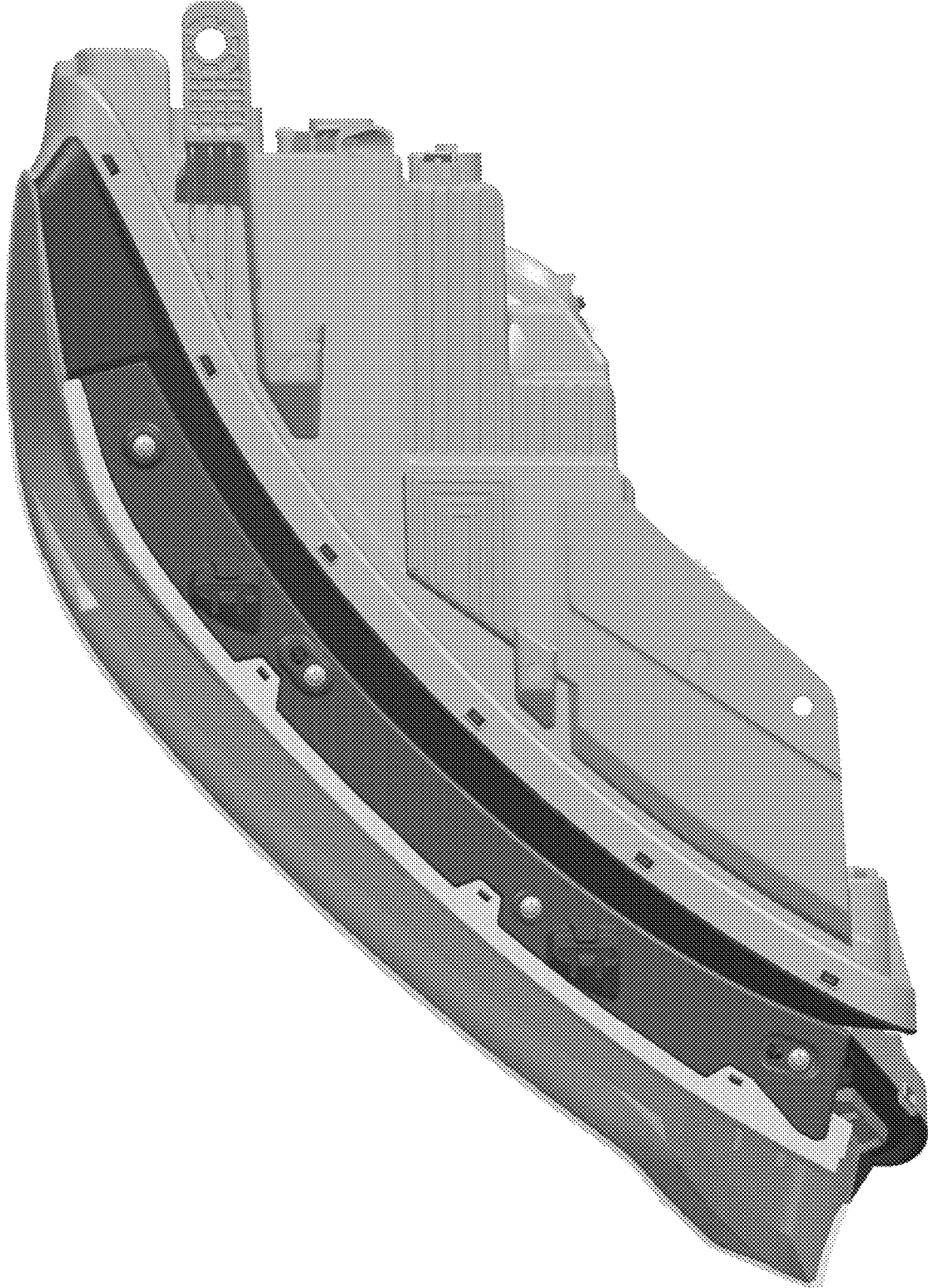
1.4



1.5



1.6



1.7

