



US00D579531S

(12) **United States Design Patent**  
**Musser**

(10) **Patent No.:** **US D579,531 S**

(45) **Date of Patent:** **\*\* Oct. 28, 2008**

(54) **ADJUSTABLE DRAIN FOR INTERLOCKING STONE DECKING**

6,792,723 B2 \* 9/2004 Stegmeier et al. .... 52/169.5  
2006/0117680 A1 \* 6/2006 Dill et al. .... 52/169.7

(75) Inventor: **Darell W. Musser**, Arlington, TX (US)

\* cited by examiner

(73) Assignee: **Stegmeier, LLC**, Arlington, TX (US)

*Primary Examiner*—Louis S Zarfaz

*Assistant Examiner*—Eric L Goodman

(\*\*) Term: **14 Years**

(74) *Attorney, Agent, or Firm*—Eric Karich

(21) Appl. No.: **29/289,022**

(57) **CLAIM**

(22) Filed: **Jun. 29, 2007**

The ornamental design for an “adjustable drain for interlocking stone decking,” as shown and described.

(51) **LOC (8) Cl.** ..... **23-01**

(52) **U.S. Cl.** ..... **D23/261**

(58) **Field of Classification Search** ..... D23/267;  
D25/119, 122; 405/119; 404/2, 4; 52/11,  
52/12, 302.3

See application file for complete search history.

**DESCRIPTION**

FIG. 1 is a perspective view of a adjustable drain for interlocking stone decking, showing my new design;

FIG. 2 is a front elevational view thereof;

FIG. 3 is a rear elevational view thereof;

FIG. 4 is a left side elevational view thereof

FIG. 5 is a right side elevational view thereof;

FIG. 6 is a top plan view thereof;

FIG. 7 is a bottom plan view thereof; and,

FIG. 8 is an exploded perspective view thereof.

The broken line showing in FIG. 8 is for illustrative purposes only and forms no part of the claimed design.

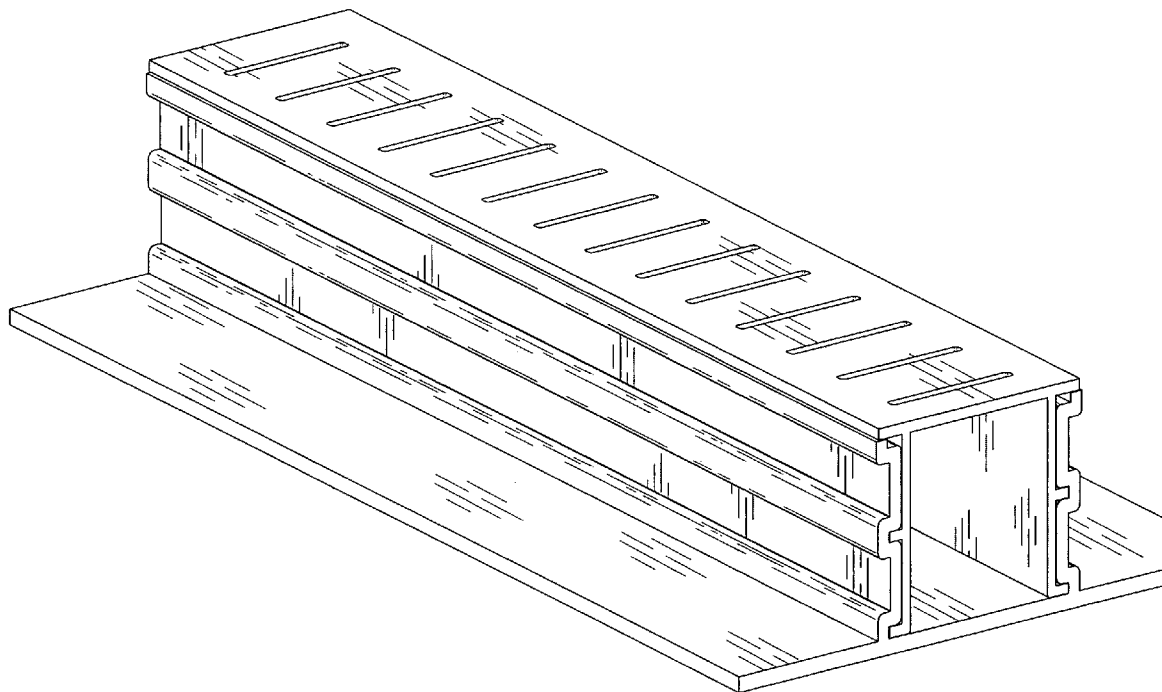
(56)

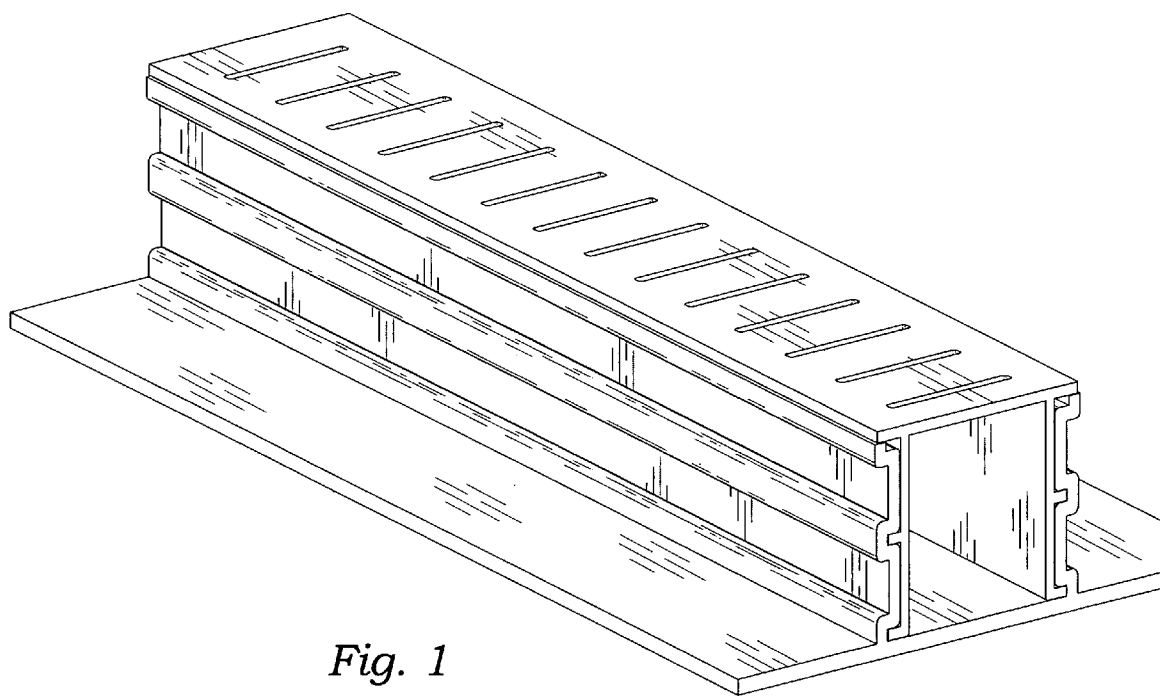
**References Cited**

**U.S. PATENT DOCUMENTS**

4,365,911	A *	12/1982	Rosberg	.....	405/43
D299,543	S *	1/1989	Phillips	.....	D25/35
4,815,888	A	3/1989	Stegmeier		
D312,696	S *	12/1990	Phillips	.....	D25/35
D326,140	S *	5/1992	Dekel	.....	D23/267
5,454,663	A	10/1995	Stegmeier		
D466,596	S *	12/2002	Stegmeier et al.	.....	D23/267
6,612,780	B2 *	9/2003	Dahowski et al.	.....	405/118
6,729,795	B2 *	5/2004	Dahowski et al.	.....	404/4

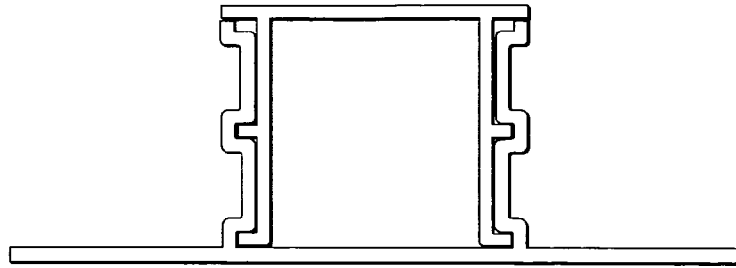
**1 Claim, 5 Drawing Sheets**



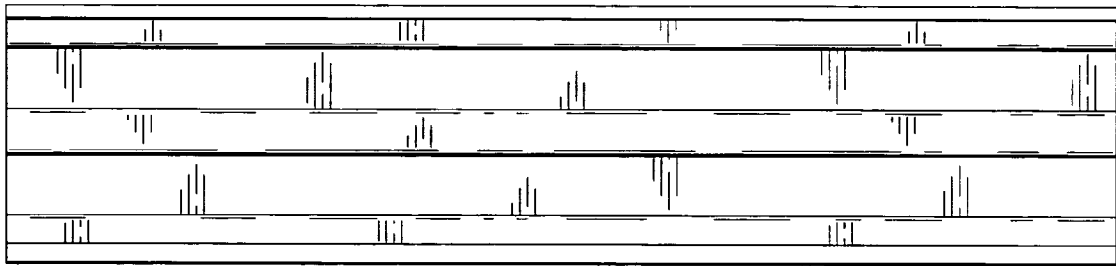
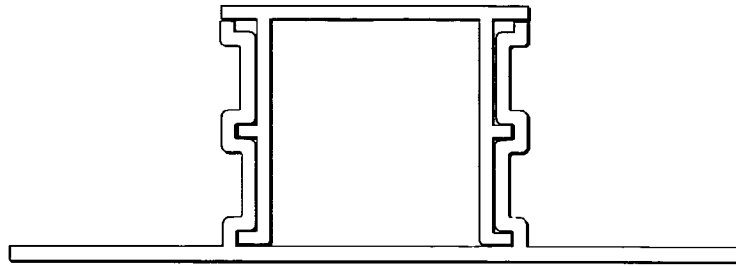


*Fig. 1*

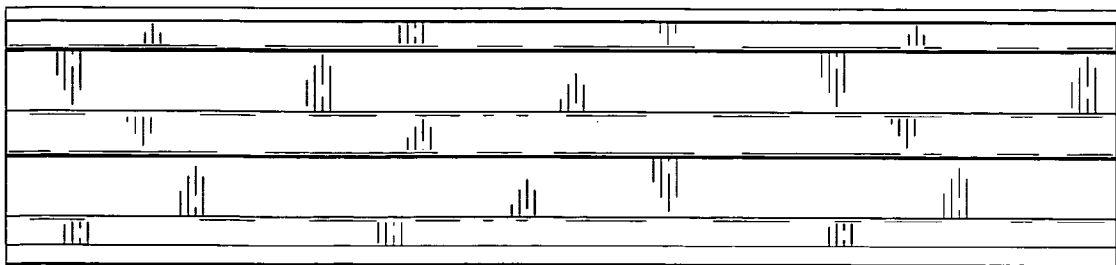
*Fig. 2*



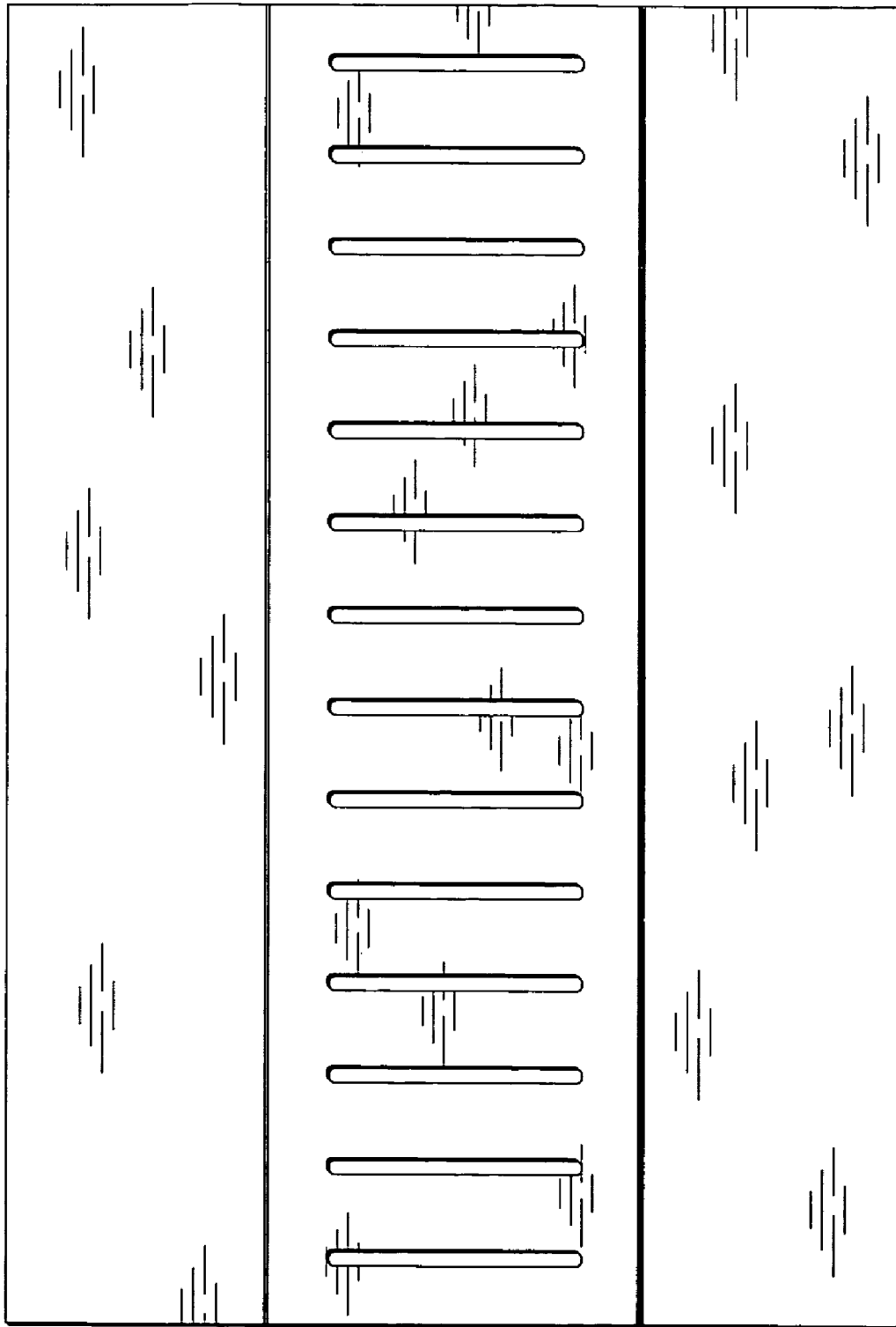
*Fig. 3*



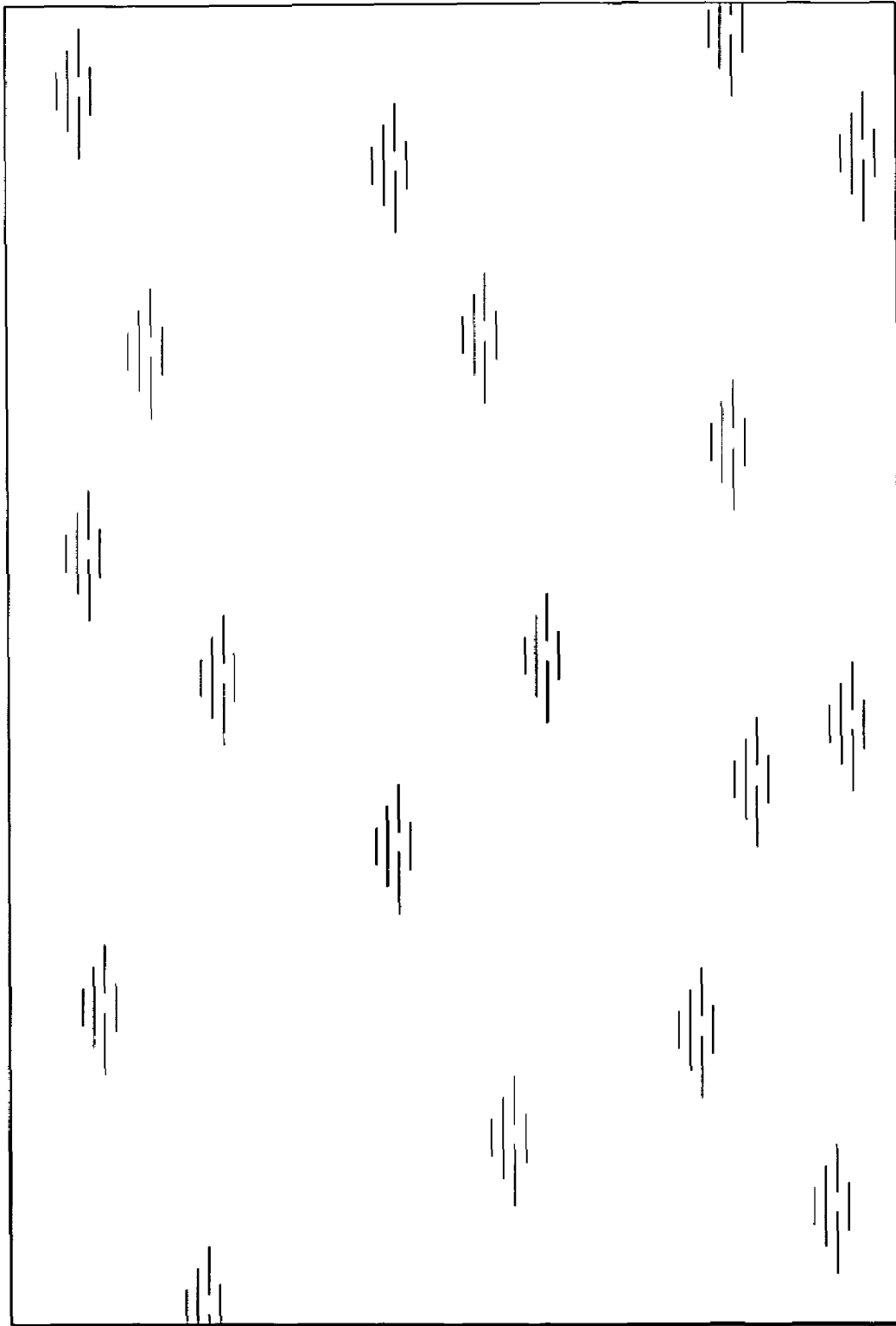
*Fig. 4*



*Fig. 5*



*Fig. 6*



*Fig. 7*

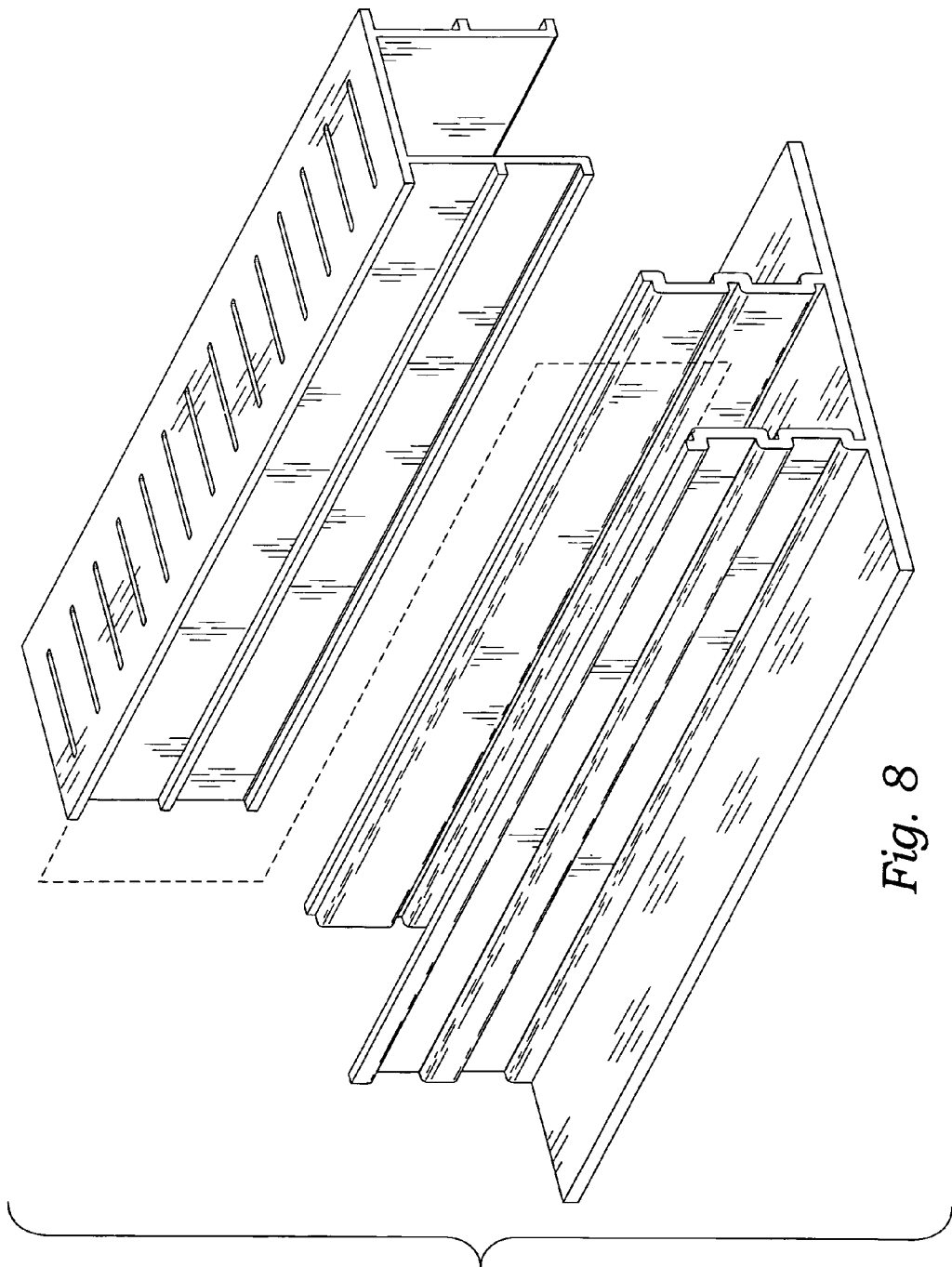


Fig. 8