



US00D819485S

(12) **United States Design Patent**  
**Hohmann**

(10) **Patent No.:** **US D819,485 S**

(45) **Date of Patent:** **\*\* Jun. 5, 2018**

(54) **AUTOMATED PLANTER APPARATUS**

(71) Applicant: **Thomas Luke Hohmann**, Cumming,  
GA (US)

(72) Inventor: **Thomas Luke Hohmann**, Cumming,  
GA (US)

(\*\*) Term: **15 Years**

(21) Appl. No.: **29/570,906**

(22) Filed: **Jul. 13, 2016**

(51) **LOC (11) Cl.** ..... **11-02**

(52) **U.S. Cl.**

USPC ..... **D11/143**

(58) **Field of Classification Search**

USPC ..... D8/1; D11/143, 152, 145, 164, 155

CPC ..... A01G 27/00; A01G 27/02; A01G 27/005;

A01G 27/008

See application file for complete search history.

(56) **References Cited**

**U.S. PATENT DOCUMENTS**

D279,175	S *	6/1985	Eklöf	.....	D11/143
5,598,662	A	2/1997	Droste		
D384,000	S *	9/1997	Panth	.....	D11/143
5,752,341	A	5/1998	Goldfarb		
D419,483	S *	1/2000	McGuire	.....	D11/145
6,729,070	B1 *	5/2004	Locke	.....	A01G 27/00 47/79
D598,809	S *	8/2009	Smith	.....	D11/144
7,730,665	B2	6/2010	Tran		
7,832,146	B2	11/2010	Gordon		
D645,779	S *	9/2011	Bradley	.....	D11/152
8,544,496	B2	10/2013	Gilpatrick		

9,241,452	B2	1/2016	Stewart		
D795,738	S *	8/2017	Xing	.....	D11/145
D801,212	S *	10/2017	Livingston	.....	D11/152
2009/0260282	A1 *	10/2009	Hashimoto	.....	A01G 9/045 47/20.1
2015/0082697	A1 *	3/2015	Cantolino	.....	A01G 27/005 47/79
2017/0188527	A1 *	7/2017	Gordon	.....	A01G 27/00
2018/0007846	A1 *	1/2018	Hoff	.....	A01G 13/0243
2018/0007848	A1 *	1/2018	Hohmann	.....	A01G 27/02

\* cited by examiner

*Primary Examiner* — Sheryl Lane

(74) *Attorney, Agent, or Firm* — PatentFile, LLC; Bradley C. Fach

(57) **CLAIM**

The ornamental design for an automated planter apparatus, as shown and described.

**DESCRIPTION**

FIG. 1 is a perspective view of an automated planter apparatus of the present invention, showing the new, original, and ornamental design;

FIG. 2 is a front view thereof;

FIG. 3 is a rear view thereof;

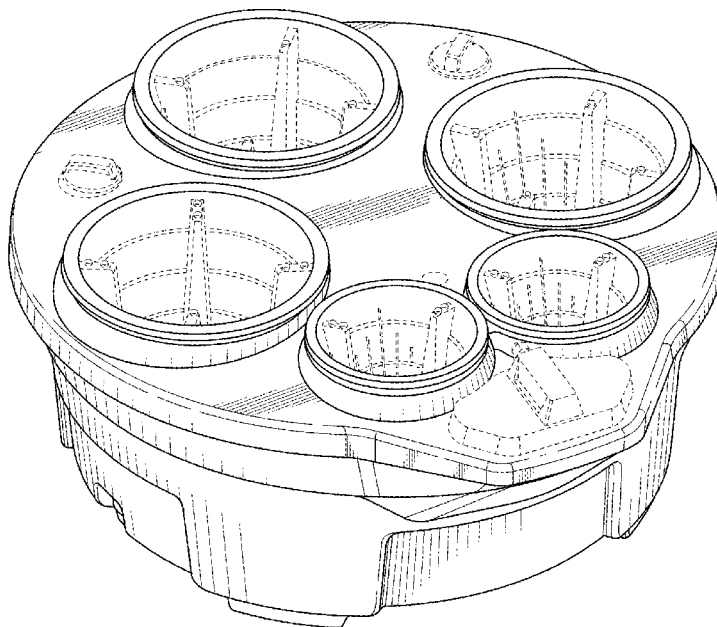
FIG. 4 is a left side view thereof, the right side being a mirror image;

FIG. 5 is a top plan view thereof; and,

FIG. 6 is a bottom plan view thereof.

The broken lines in the figures are for environmental purposes only and form no part of the claimed design.

**1 Claim, 5 Drawing Sheets**



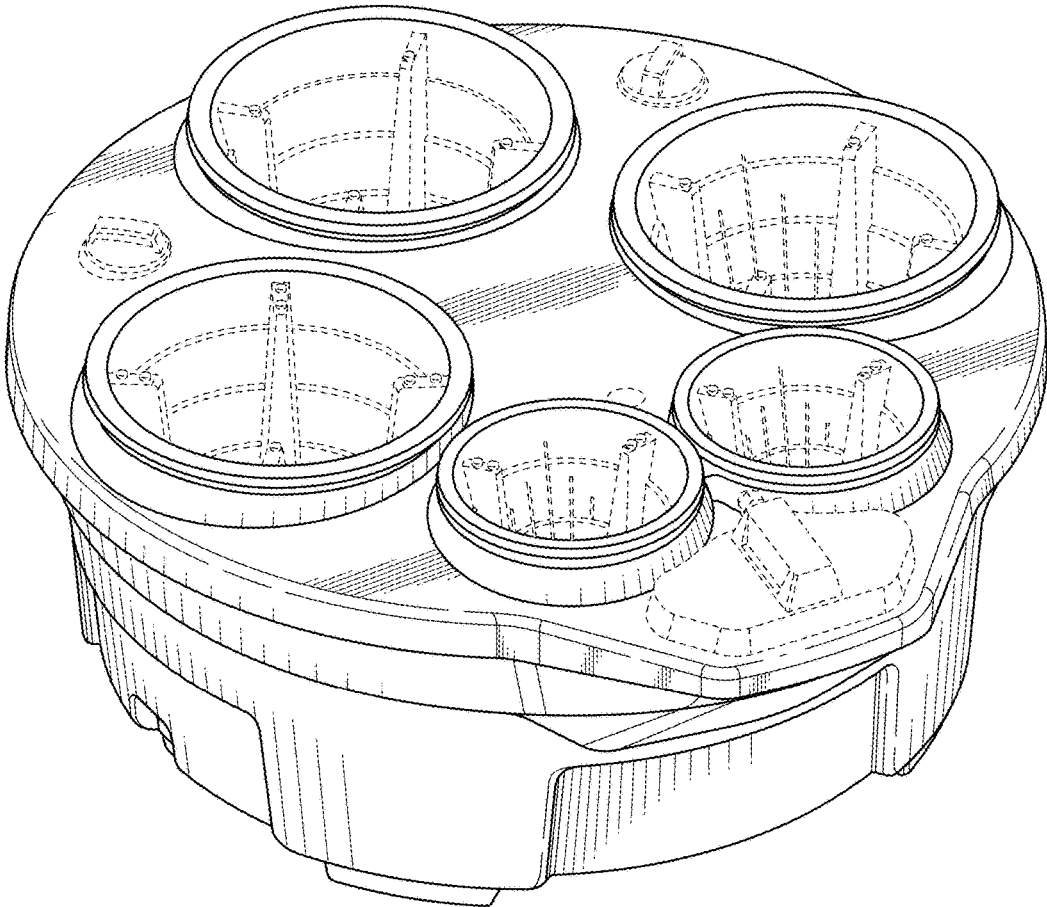


FIG. 1

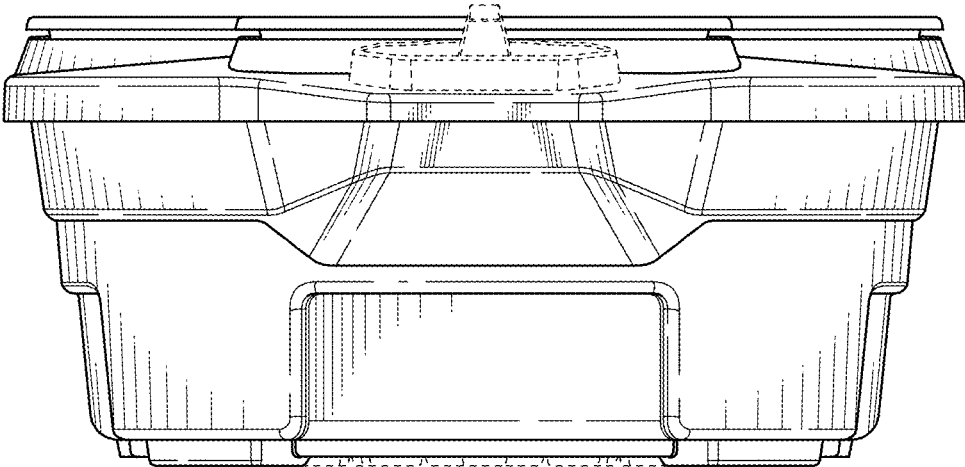


FIG. 2

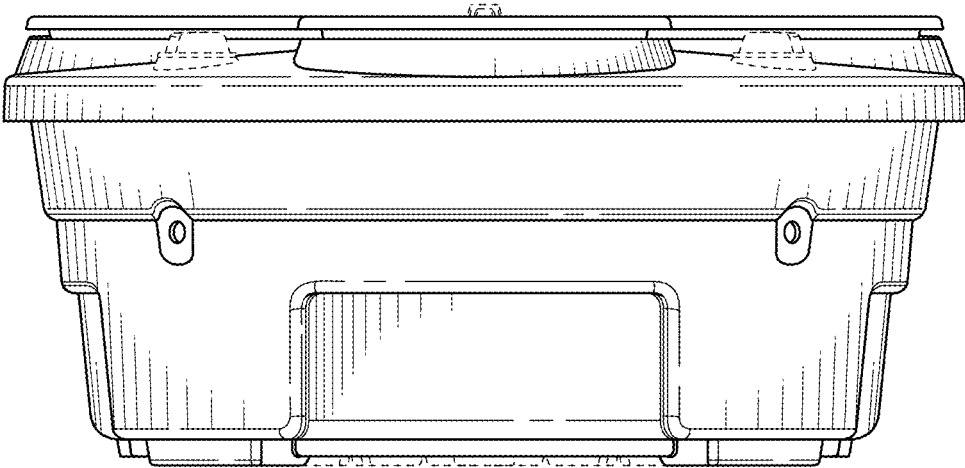


FIG. 3

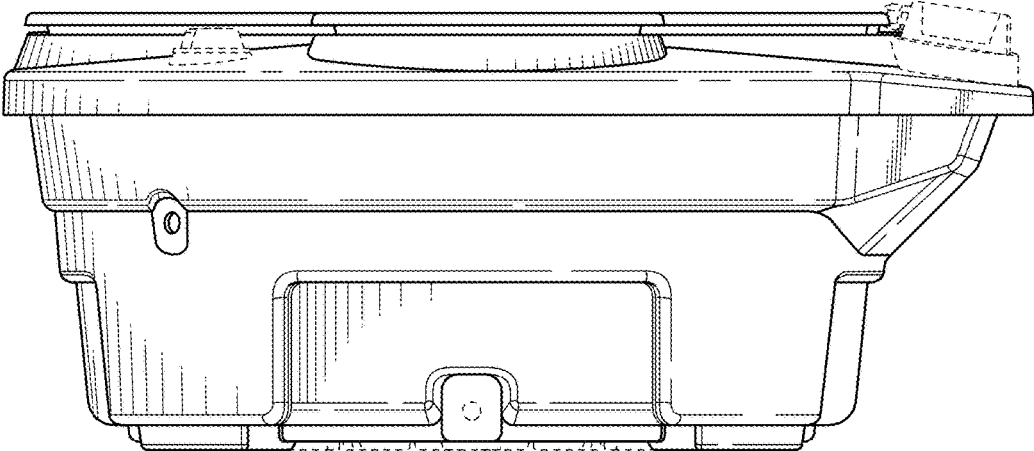


FIG. 4

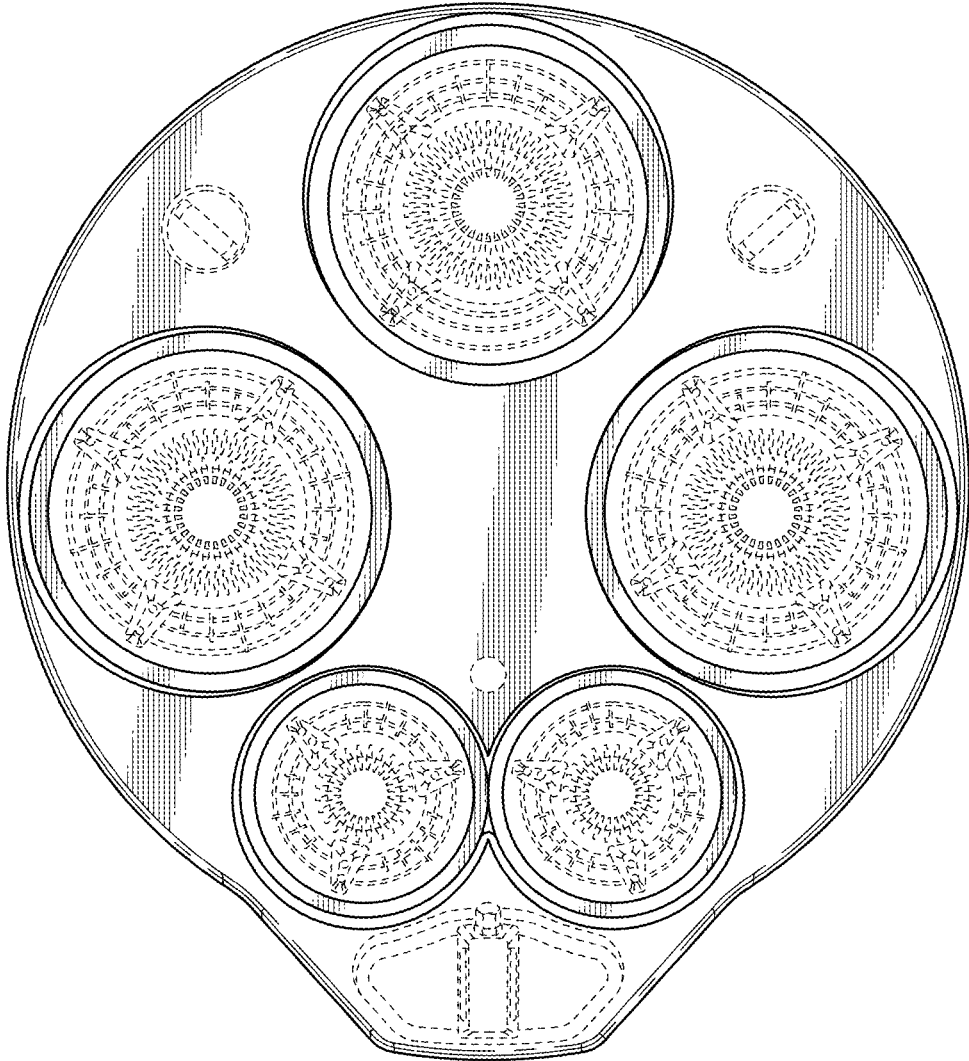


FIG. 5

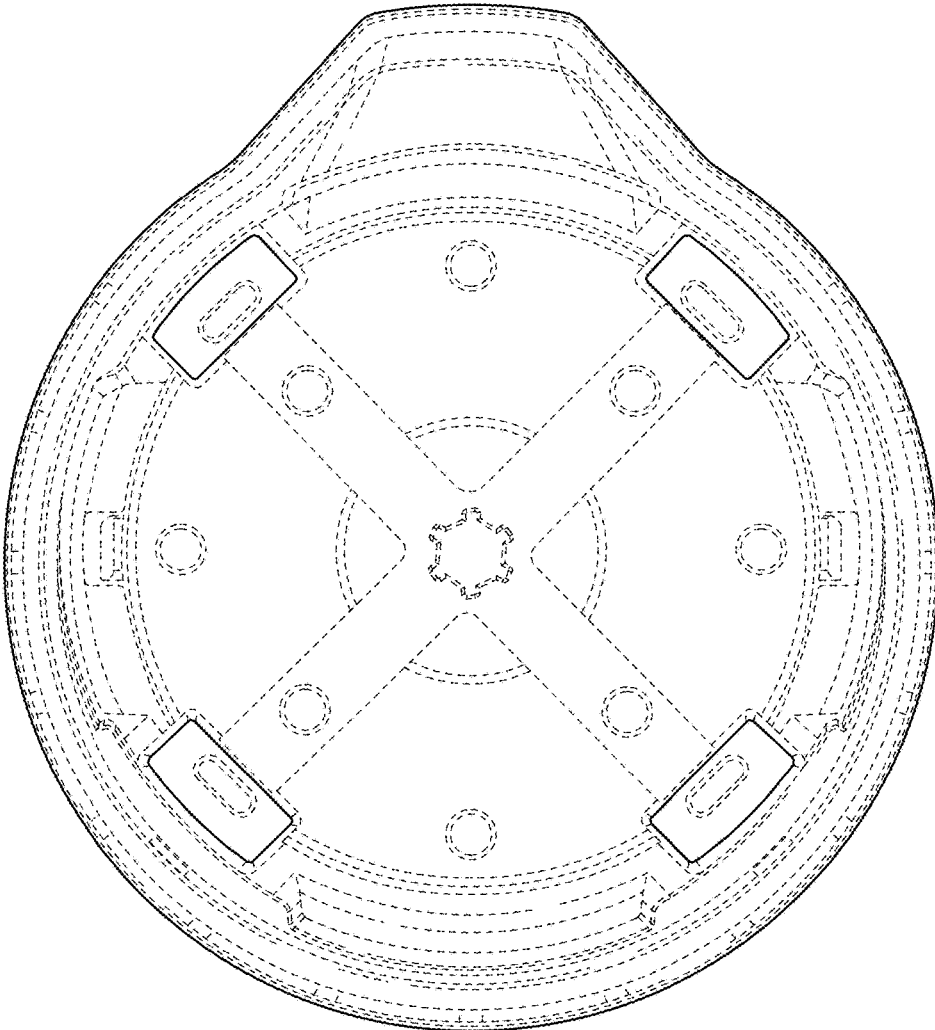


FIG. 6