



US00D776338S

(12) **United States Design Patent**
Lomeli

(10) **Patent No.:** **US D776,338 S**

(45) **Date of Patent:** **** Jan. 10, 2017**

- (54) **ELECTRONIC VAPORIZATION DEVICE**
- (71) Applicant: **PAX Labs, Inc.**, San Francisco, CA (US)
- (72) Inventor: **Kevin Lomeli**, San Francisco, CA (US)
- (73) Assignee: **PAX Labs, Inc.**, San Francisco, CA (US)
- (**) Term: **15 Years**
- (21) Appl. No.: **29/561,205**
- (22) Filed: **Apr. 14, 2016**

D368,552 S	4/1996	Adams	
D371,633 S	7/1996	Chenard	
5,545,904 A	8/1996	Orbach	
D379,810 S	6/1997	Giordano et al.	
D382,146 S	8/1997	Sandy	
D397,504 S	8/1998	Zelenik	
D398,150 S *	9/1998	Vonarburg	D28/85
D411,332 S	6/1999	Zelenik	
D412,279 S *	7/1999	Brice	D7/629
D422,884 S	4/2000	Lafond	
D424,236 S	5/2000	Reed	

(Continued)

Related U.S. Application Data

- (63) Continuation of application No. 29/497,578, filed on Jul. 25, 2014, now Pat. No. Des. 762,003.
- (51) **LOC (10) Cl.** **27-02**
- (52) **U.S. Cl.**
USPC **D27/163**
- (58) **Field of Classification Search**
USPC D27/101, 105, 108, 123, 129, 162, D27/163, 164, 167, 169, 172, 175, 183, D27/184, 186, 187, 189, 190, 193, 195; D25/126; D9/529; D23/355, 356, 360, D23/363, 370, 390, 397, 412; D14/480.1, D14/480.2, 480.3, 480.4, 484.1
CPC A24F 1/02; A24F 1/04; A24F 1/08; A24F 1/16; A24F 1/28; A24F 1/30; A24F 3/00; A24F 7/00
See application file for complete search history.

References Cited

U.S. PATENT DOCUMENTS

D301,837 S *	6/1989	Peterson	D9/529
D302,659 S *	8/1989	Peterson	D9/529
D303,722 S	9/1989	Marlow et al.	
D310,171 S *	8/1990	Cusenza	D9/529
D336,346 S	6/1993	Miller et al.	
D367,605 S *	3/1996	Moore	D9/529

OTHER PUBLICATIONS

Electronic Vaporization Device | Gizmodo Pax 2 Vaporizer | Gizmodo, posted at Gizmodo.com, posting date Jul. 23, 2015 © n/a gizmodo.com, [online], [site visited Oct. 17, 2016], Available on internet at, <http://gizmodo.com/pax-2-vaporizer-review-its-like-smoking-in-the-future-1718310779>.*

(Continued)

Primary Examiner — Susan Bennett Hattan
Assistant Examiner — Jennifer Wright
(74) *Attorney, Agent, or Firm* — Shay Glenn LLP

(57) **CLAIM**

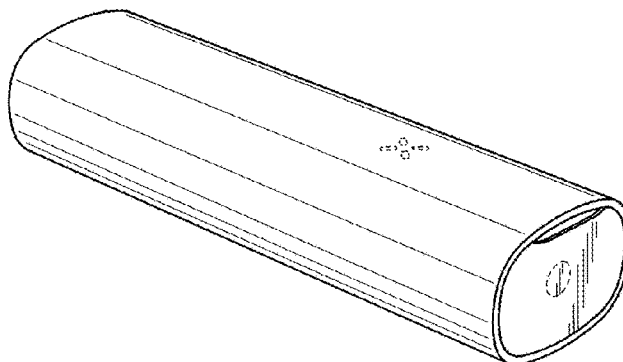
The ornamental design for an electronic vaporization device, as shown and described.

DESCRIPTION

FIG. 1 is a perspective view of an electronic vaporization device, showing my new design; FIG. 2 is a top plan view thereof; FIG. 3 is a front elevation view thereof; FIG. 4 is a right side elevation view thereof; FIG. 5 is a left side elevation view thereof; FIG. 6 is a rear elevation view thereof; and, FIG. 7 is a bottom plan view thereof.

The broken lines in the drawings depict parts of the electronic vaporization device that form no part of the claimed design.

1 Claim, 2 Drawing Sheets



(56)

References Cited

U.S. PATENT DOCUMENTS

D433,532 S	11/2000	Higgins et al.		D768,920 S *	10/2016	Jones	D27/189
D485,639 S	1/2004	Stronski		2002/0088469 A1	7/2002	Rennecamp	
D540,687 S *	4/2007	Egawa	D9/529	2006/0191546 A1	8/2006	Takano et al.	
D545,904 S *	7/2007	Chen	D19/66	2007/0089757 A1*	4/2007	Bryman	A24F 3/00
D557,209 S	12/2007	Ahlgren et al.					131/330
D558,060 S *	12/2007	Sir	D9/687	2010/0163063 A1	7/2010	Fernando et al.	
D562,151 S *	2/2008	Larocca	D9/529	2013/0042865 A1	2/2013	Monsees et al.	
D569,727 S *	5/2008	Moretti	D9/454	2014/0014124 A1	1/2014	Glasberg et al.	
D571,556 S *	6/2008	Raile	D3/265	2014/0107815 A1	4/2014	Lamothe	
D573,474 S	7/2008	Beam et al.		2014/0161301 A1	6/2014	Merenda	
D577,150 S	9/2008	Bryman et al.		2014/0178461 A1	6/2014	Rigas	
D577,591 S *	9/2008	Bouroullec	D9/529	2015/0245654 A1	9/2015	Memari et al.	
D599,670 S *	9/2009	Qin	D9/529	2015/0245655 A1	9/2015	Memari et al.	
D611,409 S	3/2010	Green et al.		2015/0245657 A1	9/2015	Memari et al.	
D616,753 S *	6/2010	Beam	D9/420	2015/0245665 A1	9/2015	Memari et al.	
7,905,236 B2	3/2011	Bryman et al.		2015/0245666 A1	9/2015	Memari et al.	
D645,817 S *	9/2011	Sasada	D13/108	2015/0245667 A1	9/2015	Memari et al.	
D647,247 S	10/2011	Jones		2015/0245668 A1	9/2015	Memari et al.	
D649,708 S	11/2011	Oncil		2015/0282526 A1	10/2015	Wu	
D649,932 S	12/2011	Symons		2015/0305409 A1	10/2015	Verleur et al.	
D661,991 S	6/2012	Brummelhuis et al.		2015/0313283 A1	11/2015	Collett et al.	
D664,636 S	7/2012	Robinson et al.		2015/0313287 A1	11/2015	Verleur et al.	
D670,272 S *	11/2012	Suzuki	D14/217	2015/0320116 A1	11/2015	Bleloch et al.	
D674,748 S	1/2013	Ferber et al.		2015/0351455 A1	12/2015	Liu	
D682,698 S *	5/2013	Young	D9/529	2015/0357608 A1	12/2015	Huang	
D684,683 S	6/2013	Curti et al.					
D686,987 S	7/2013	Vanstone et al.					
D700,572 S	3/2014	Esses					
D704,629 S	5/2014	Liu					
D704,634 S	5/2014	Eidelman et al.					
D705,918 S	5/2014	Robinson et al.					
D708,727 S	7/2014	Postma					
8,881,738 B2	11/2014	Bryman					
D720,095 S	12/2014	Alima					
D720,496 S	12/2014	Alima					
D720,497 S	12/2014	Alima					
D721,202 S	1/2015	Liu					
D721,972 S	2/2015	Brewer et al.					
D725,310 S	3/2015	Eksouzian					
9,010,335 B1	4/2015	Scatterday					
D728,855 S	5/2015	Liu					
D738,038 S	9/2015	Smith					
D739,973 S *	9/2015	Chao	D13/108				
9,167,849 B2	10/2015	Adamic					
D742,492 S	11/2015	Robinson et al.					
D743,099 S	11/2015	Oglesby					
D744,342 S	12/2015	Blasko et al.					
D744,419 S	12/2015	Bowen et al.					
D757,352 S	5/2016	Bagai					
D757,353 S	5/2016	Nunnally et al.					
D762,003 S *	7/2016	Lomeli	D27/163				

OTHER PUBLICATIONS

FC Vaporizer Review Forum; Pax Vaporizer by Ploom; retrieved from: <http://fuckcombustion.com/threads/pax-vaporizer-by-ploom-6223/>; p. 2 & 11 (2 pgs.); retrieval/print date: Nov. 16, 2015.

VapeWorld; Original PAX Vaporizers for Portable and Home Use; retrieved from: <http://www.vapeworld.com/pax-vaporizer-by-ploom?gclid=CPCi1PKojskCFU06gQodPr>; 9 pgs.; retrieval/print date: Nov. 13, 2015.

Pax Labs, Inc.; JUUL product information © 2016; retrieved from <https://www.juulvapor.com/shop-juul/>; 6 pgs.; retrieval/print date: Mar. 9, 2016.

Monsees et al.; Design U.S. Appl. No. 29/537,866 entitled "Electronic Vaporization Device", filed Aug. 28, 2015.

Bowen et al.; Design U.S. Appl. No. 29/499,016 entitled "Electronic Vaporization Device", filed Aug. 11, 2014.

Bowen et al.; Design U.S. Appl. No. 29/499,018 entitled "Electronic Vaporization Device With Cartridge", filed Aug. 11, 2014.

Bowen et al.; Design U.S. Appl. No. 29/499,021 entitled "Cartridge for Electronic Vaporization Device", filed Aug. 11, 2014.

Bowen et al.; Design U.S. Appl. No. 29/542,362 entitled "Electronic Vaporization Device With Cartridge", filed Oct. 13, 2015.

Lomeli, K.; Design U.S. Appl. No. 29/497,578 entitled "Electronic Vaporization Device", filed Jul. 25, 2014.

* cited by examiner

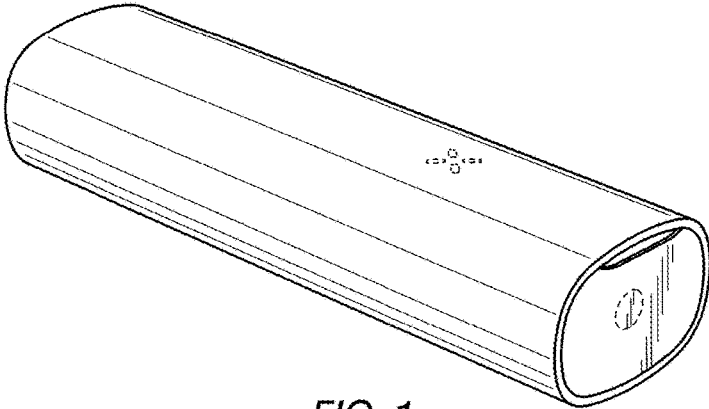


FIG. 1

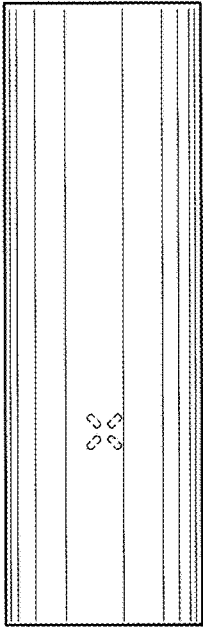


FIG. 2

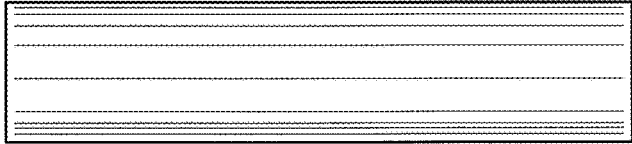


FIG. 4

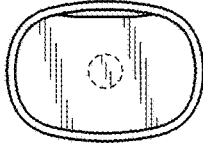


FIG. 3

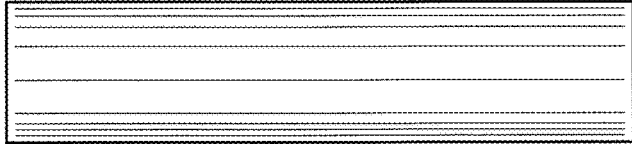


FIG. 5

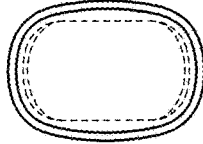


FIG. 6

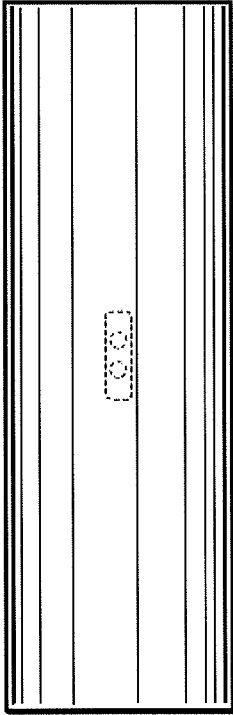


FIG. 7