



US00D515185S

(12) **United States Design Patent** (10) **Patent No.:** **US D515,185 S**  
**Daikubara** (45) **Date of Patent:** **\*\* Feb. 14, 2006**

(54) **WATER CLOSET**

(75) Inventor: **Mike Y. Daikubara**, Fox Point, WI (US)

(73) Assignee: **Kohler Co.**, Kohler, WI (US)

(\*\*) Term: **14 Years**

(21) Appl. No.: **29/201,963**

(22) Filed: **Mar. 23, 2004**

(51) **LOC (8) Cl.** ..... **23-02**

(52) **U.S. Cl.** ..... **D23/301**

(58) **Field of Classification Search** ..... D23/270-271, D23/273-274, 295, 299, 301, 303, 309; 4/663-664, 4/300, 329, 420, 449, DIG. 15, 443-446  
See application file for complete search history.

(56) **References Cited**

**U.S. PATENT DOCUMENTS**

D390,930 S	2/1998	Slothower	
D390,932 S	2/1998	Slothower	
D415,563 S	* 10/1999	McKeone	..... D23/301
D444,864 S	* 7/2001	McKeone	..... D23/301
D456,883 S	* 5/2002	Chen	..... D23/301
D478,376 S	* 8/2003	Kawamura et al.	..... D23/301

**OTHER PUBLICATIONS**

Kohler Devonshire ® elongated toilet model K-3457, www.us.kohler.com 4 pages, Mar. 23, 2005.\*  
Kohler Devonshire ® Comfort Height™ toilet, model K-3488, www.us.kohler.com 4 pages, Mar. 23, 2005.\*

2000 Kohler catalog ad, p. 15.13, showing a "Portrait" toilet.  
2000 Kohler catalog ad, p. 15.7, showing a "Portrait" toilet.

\* cited by examiner

*Primary Examiner*—Robert A. Delehanty  
(74) *Attorney, Agent, or Firm*—Quarles & Brady LLP

(57) **CLAIM**

The ornamental design for a water closet, as shown and described.

**DESCRIPTION**

In a preferred embodiment, the nature of this product is as a plumbing fixture which is primarily useful for receiving the liquid and solid waste of humans.

FIG. 1 is a left, top, front perspective view of a water closet embodying my new design;

FIG. 2 is a top plan view thereof;

FIG. 3 is a left side elevational view thereof, the right side elevational view thereof being a mirror image of the left side shown;

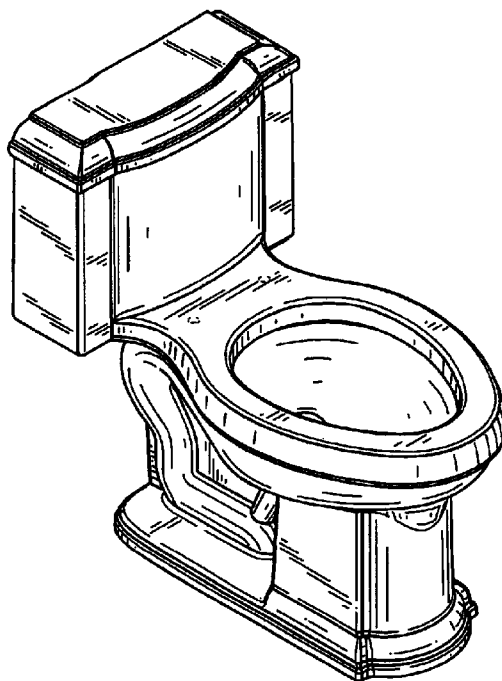
FIG. 4 is a front elevational view thereof;

FIG. 5 is a rear elevational view thereof; and,

FIG. 6 is a bottom plan view thereof.

The broken line representations of holes in FIGS. 1, 2, and 6, and of mounting structure in FIG. 6, are for the purpose of illustration only, and form no part of the claimed design. A characteristic feature of the invention is that a boxy lower portion of a tank extends below a top of a bowl rear extension.

**1 Claim, 3 Drawing Sheets**



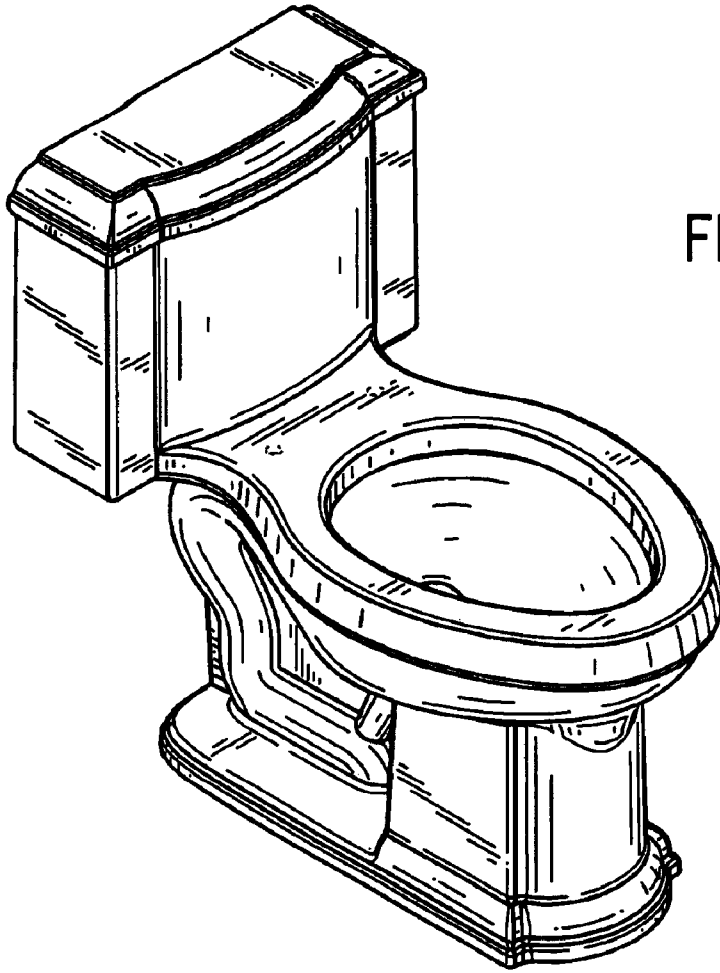


FIG. 1

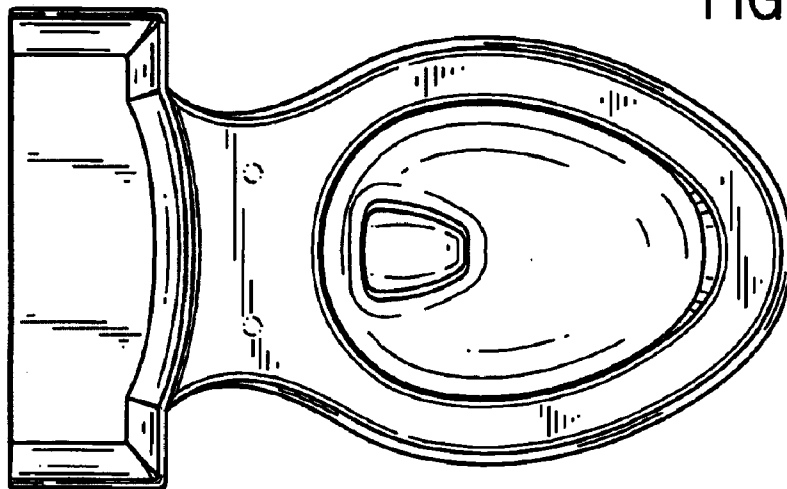


FIG. 2

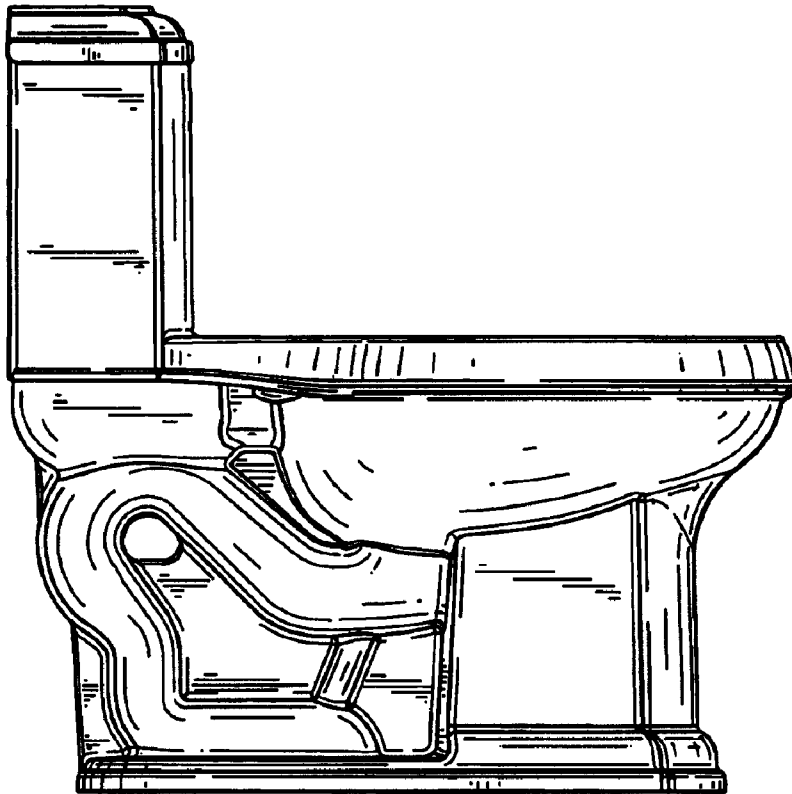


FIG. 3

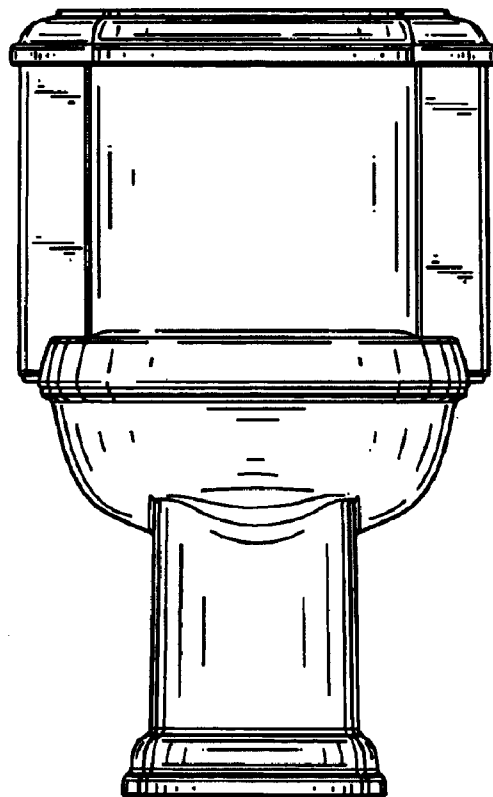


FIG. 4

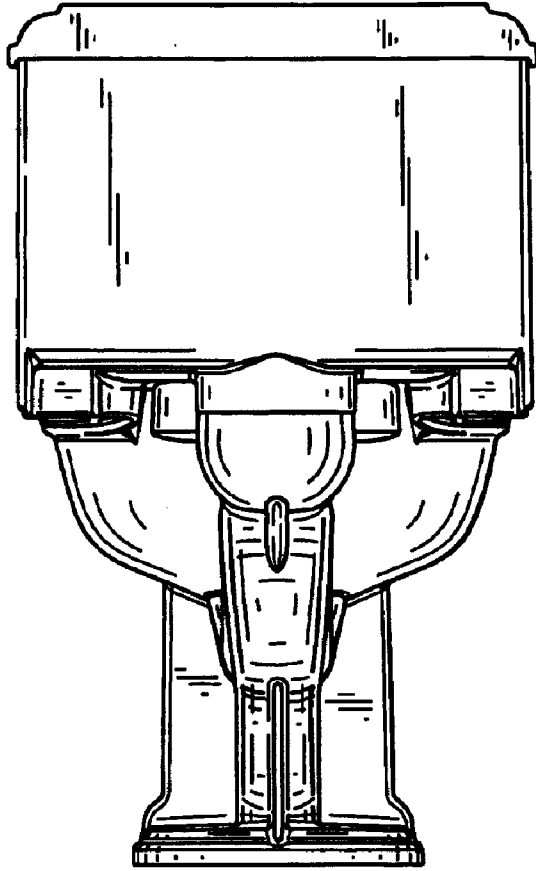


FIG. 5

FIG. 6

