



- (51) International Patent Classification:
A61G 7/10 (2006.01)
- (21) International Application Number:
PCT/IB2013/061195
- (22) International Filing Date:
20 December 2013 (20.12.2013)
- (25) Filing Language: English
- (26) Publication Language: English
- (30) Priority Data:
2012/09662 20 December 2012 (20.12.2012) ZA
- (72) Inventor; and
- (71) Applicant : SAAYMAN, Jacobus, Hendrik [ZA/ZA]; 82
Victor Whitmill Ave, Sunward Park, 1470 Boksburg (ZA).
- (74) Agent: DESSINGTON, Antony; Dessington de Beer at-
torneys PO Box 1238 495, 2128 Rivonia (ZA).
- (81) Designated States (unless otherwise indicated, for every
kind of national protection available): AE, AG, AL, AM,
AO, AT, AU, AZ, BA, BB, BG, BH, BN, BR, BW, BY,
BZ, CA, CH, CL, CN, CO, CR, CU, CZ, DE, DK, DM,
DO, DZ, EC, EE, EG, ES, FI, GB, GD, GE, GH, GM, GT,

HN, HR, HU, ID, IL, IN, IR, IS, JP, KE, KG, KN, KP, KR, KZ, LA, LC, LK, LR, LS, LT, LU, LY, MA, MD, ME, MG, MK, MN, MW, MX, MY, MZ, NA, NG, NI, NO, NZ, OM, PA, PE, PG, PH, PL, PT, QA, RO, RS, RU, RW, SA, SC, SD, SE, SG, SK, SL, SM, ST, SV, SY, TH, TJ, TM, TN, TR, TT, TZ, UA, UG, US, UZ, VC, VN, ZA, ZM, ZW.

(84) Designated States (unless otherwise indicated, for every kind of regional protection available): ARIPO (BW, GH, GM, KE, LR, LS, MW, MZ, NA, RW, SD, SL, SZ, TZ, UG, ZM, ZW), Eurasian (AM, AZ, BY, KG, KZ, RU, TJ, TM), European (AL, AT, BE, BG, CH, CY, CZ, DE, DK, EE, ES, FI, FR, GB, GR, HR, HU, IE, IS, IT, LT, LU, LV, MC, MK, MT, NL, NO, PL, PT, RO, RS, SE, SI, SK, SM, TR), OAPI (BF, BJ, CF, CG, CI, CM, GA, GN, GQ, GW, KM, ML, MR, NE, SN, TD, TG).

Published:

- with international search report (Art. 21(3))
- with amended claims (Art. 19(1))

Date of publication of the amended claims: 18 September 2014

(54) Title: LIFTING DEVICE FOR DISABLED PERSON

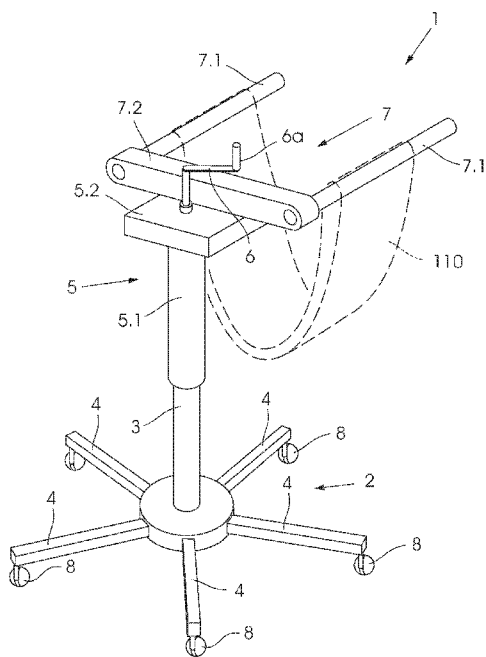


FIGURE 1

(57) Abstract: The invention provides a lifting device (1) for transfer of a paraplegic between seated positions. A post (3) extends from a wheeled base (2) and movably supports a head (5) for upwards and downwards movement. A lifting arm arrangement (7) is pivotably secured to the head (5). The head (5) is also rotatable about the post (3) and the base (2) movable between an expanded stabilizing condition and a retracted condition. The latter condition allows the lifting device (1) to fit through a standard width doorway. Movement of the base (2) between these conditions is effected by pivoting of the lifting arm arrangement (7) into and out of a lateral supporting position. The base (2) preferably includes five legs (4) extending substantially radially from the post (3) with two of the legs (4) foldable towards adjacent legs (4). The head (5) includes an actuator in the form of a rotatable handle (6a) provided for movement relative to the post (3). The handle (6a) is fitted to either of two protrusions for rotation of the head (5) or for raising and lowering the head (5) on the post (3). The handle (6a) is accessible to a person supported by the lifting arm (7.1) so that the lifting device (1) can be used without any assistance.

WO 2014/097247 A4

AMENDED CLAIMS
received by the International Bureau on 04 August 2014 (04.08.2014)

1. A mobile lifting device comprising a wheeled base with a post extending from the base, the post movably supporting a head for upwards and downwards movement, and the head having a lifting arm arrangement attached thereto, characterised in that the head is rotatable about the post through at least 180 degrees for transfer of a disabled person onto and from a wheelchair, the post is located substantially at a centre of the base to provide stability as the arm arrangement on the head is rotated about the post while supporting a disabled person and the device is configured for operation, to move the head upward and downward on the post and to rotate the head about the post, by a disabled person using the device and for movement with a wheelchair by a disabled person using the wheelchair.
2. A lifting device as claimed in claim 1 in which the base is movable between an expanded stabilizing condition and a retracted condition and configured for operation, to move the base between the stabilizing condition and the retracted condition, by a disabled person using the device.
3. A lifting device as claimed in claim 2 which is configured to pass through a standard width doorway when in the retracted condition.

4. A lifting device as claimed in any one of claims 1 to 3 in which the head is rotatable about the post through 360 degrees.
5. A lifting device as claimed in any one of claims 1 to 4 in which the base includes a plurality of substantially equally spaced apart legs extending substantially radially from the post.
6. A lifting device as claimed in claim 2 or claim 3 in which the lifting arm arrangement is pivotably secured to the head and movable between a supporting position and an inoperative position, and the arm arrangement is connected to the base through a linkage which moves the base into the stabilizing condition when the arm arrangement is in the supporting position and moves the base into the retracted condition when the arm arrangement is in the inoperative position.
7. A lifting device as claimed in claim 6 in which the linkage secures the base in the stabilizing condition while the arm arrangement remains in the supporting position.
8. A lifting device as claimed in claim 6 or claim 7 in which the lifting arm arrangement includes a pair of spaced apart arms extending from a cross-beam pivotably secured to the head.

9. A lifting device as claimed in claim 8 wherein the arms when in the supporting position extend laterally from the head and in the inoperative position extend upwardly from the head.
- 5 10. A lifting device as claimed in claim 2 or claim 3 in which wheels of the base are arranged substantially equally spaced apart on a diameter about the post when the base is in the stabilizing condition.
- 10 11. A lifting device as claimed in claim 10 in which the base includes a plurality of legs extending substantially radially from the post in the stabilizing condition, with at least one of the legs being movable from a radial position towards an adjacent leg to bring the base into the retracted condition.
- 15 12. A lifting device as claimed in claim 11 having five legs, two of which are hingedly connected to the post and foldable towards adjacent legs.
- 20 13. A lifting device as claimed in claim 1 in which the head includes an actuator, for movement relative to the post, accessible to a person supported by the lifting arm.
- 25 14. A lifting device as claimed in claim 13 in which the actuator is a rotatable handle provided on the head.

15. A lifting device as claimed in claim 14 in which the handle is rotatable in opposite directions to rotate the head alternately about the post.
- 5 16. A lifting device as claimed in claim 15 in which the handle turns an outer rotary gear, rotatably supported in relation to the head that runs on track provided by an inner annular gear, which is coaxial and fixed relative to the post.
- 10 17. A lifting device as claimed in claim 14 in which the handle is rotatable in opposite directions to respectively raise and lower the head on the post.
- 15 18. A lifting device as claimed in claim 17 in which the handle axially turns a screw-threaded rod rotatably fixed to the head which extends through a correspondingly screw-threaded bore in a carrier fixed to the post.