



US00D724267S

(12) **United States Design Patent**  
**Thornley**

(10) **Patent No.:** **US D724,267 S**

(45) **Date of Patent:** **\*\* Mar. 10, 2015**

(54) **FLAT IRON**

(71) Applicant: **Dave Thornley**, Logan, UT (US)

(72) Inventor: **Dave Thornley**, Logan, UT (US)

(73) Assignee: **Lifestyle Products, LLC**, Logan, UT (US)

(\*\*) Term: **14 Years**

(21) Appl. No.: **29/481,704**

(22) Filed: **Feb. 10, 2014**

(51) **LOC (10) Cl.** ..... **28-03**

(52) **U.S. Cl.**

USPC ..... **D28/35**

(58) **Field of Classification Search**

CPC ..... A45D 1/00-1/18; A45D 2/00-2/002

USPC ..... D28/35-38; 219/222-226

See application file for complete search history.

(56) **References Cited**

**U.S. PATENT DOCUMENTS**

D485,011 S *	1/2004	Nam	.....	D28/35
D511,023 S *	10/2005	Cho	.....	D28/35
D559,447 S *	1/2008	Leung	.....	D28/35
D575,453 S *	8/2008	Overend	.....	D28/35

D596,798 S *	7/2009	Keong	.....	D28/35
D620,195 S *	7/2010	Overend et al.	.....	D28/35
D645,614 S *	9/2011	Kim	.....	D28/35
2013/0192625 A1 *	8/2013	Migliori et al.	.....	132/211

\* cited by examiner

*Primary Examiner* — Jennifer Rivard

(74) *Attorney, Agent, or Firm* — Preston P. Frischknecht; Project CIP

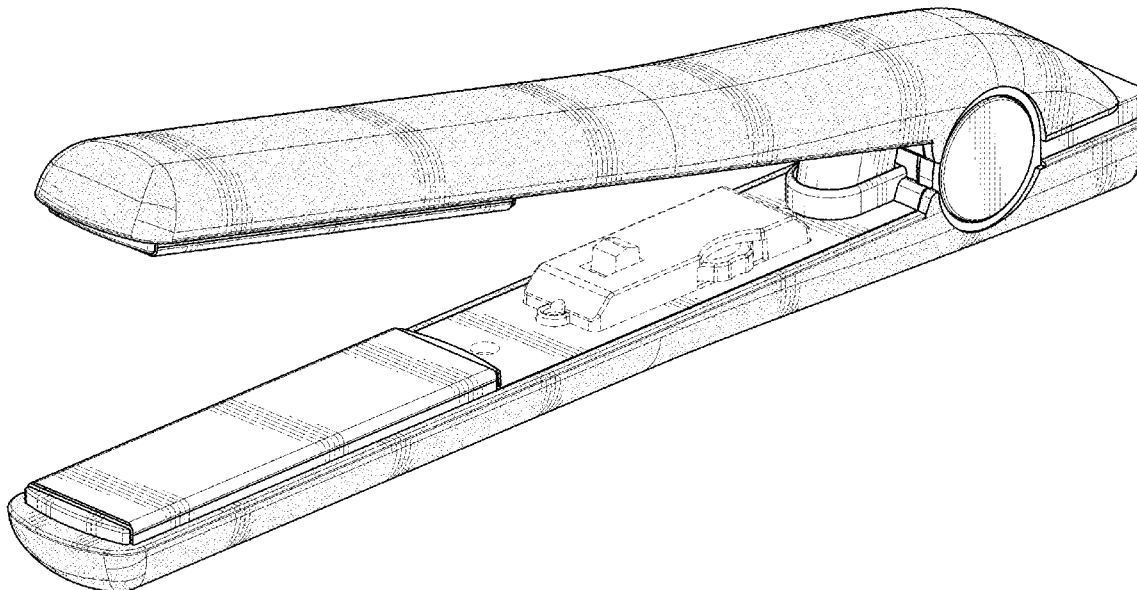
(57) **CLAIM**

I claim the ornamental design for a flat iron, as shown and described.

**DESCRIPTION**

FIG. 1 is an isometric view showing the design;  
 FIG. 2 is a back perspective view showing the design;  
 FIG. 3 is a left side view showing the design;  
 FIG. 4 is a right side view showing the design;  
 FIG. 5 is a top view showing the design;  
 FIG. 6 is a bottom view showing the design;  
 FIG. 7 is a front view showing the design;  
 FIG. 8 is a back view showing the design; and,  
 FIG. 9 is an alternate isometric view showing the design.  
 The broken lines illustrate portions of the flat iron and form no part of the claimed design.

**1 Claim, 6 Drawing Sheets**



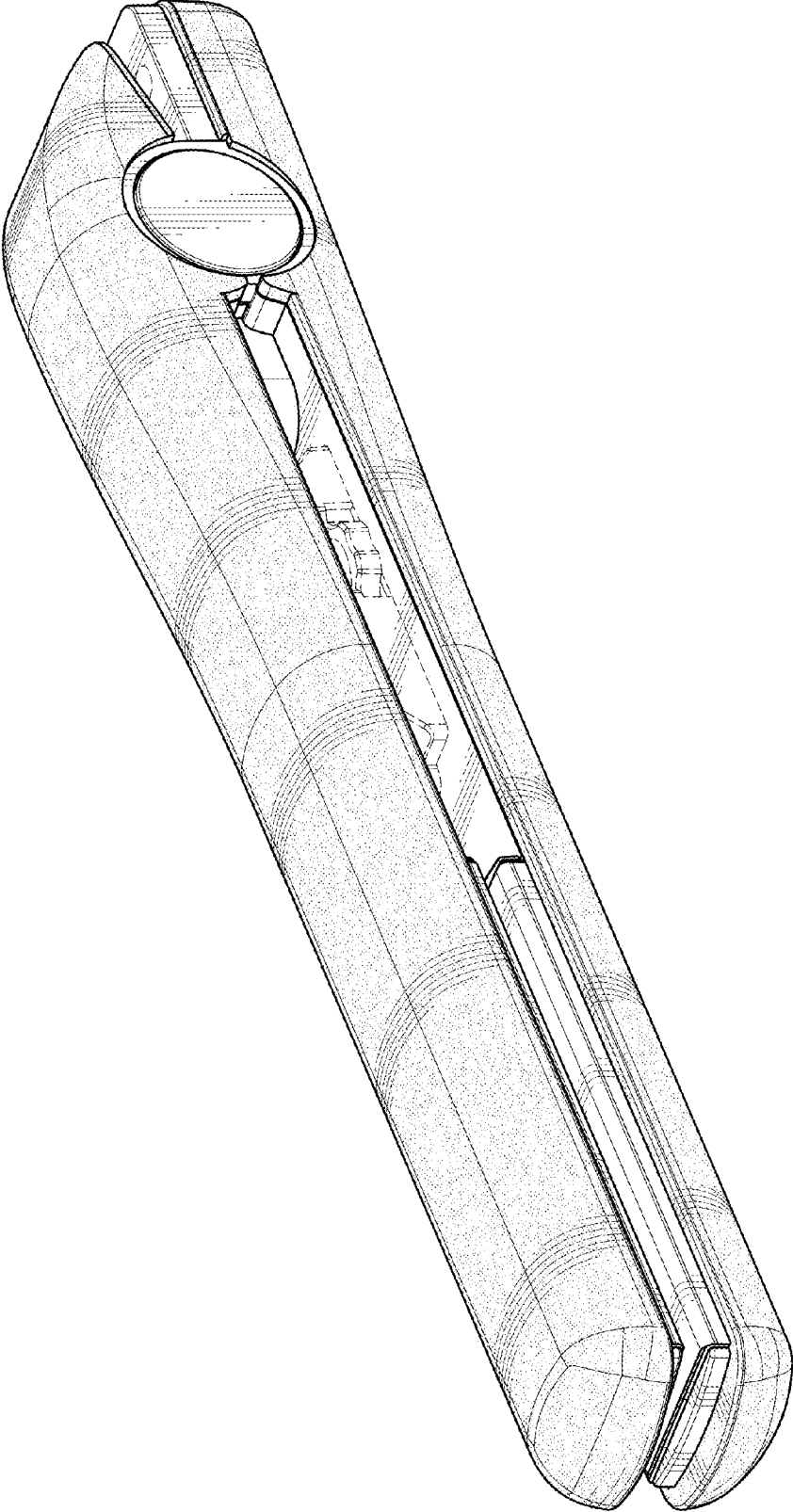


Fig. 1

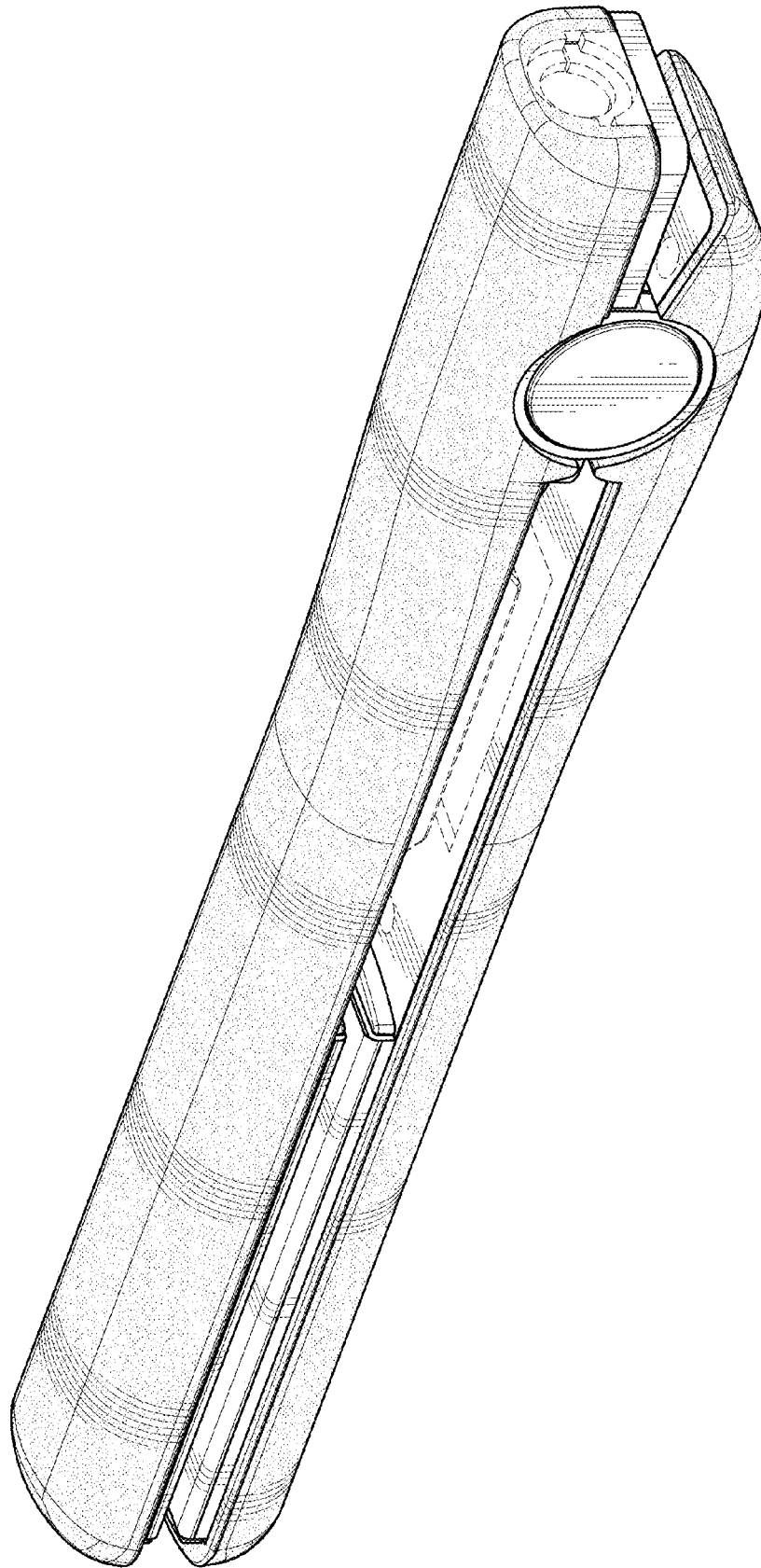
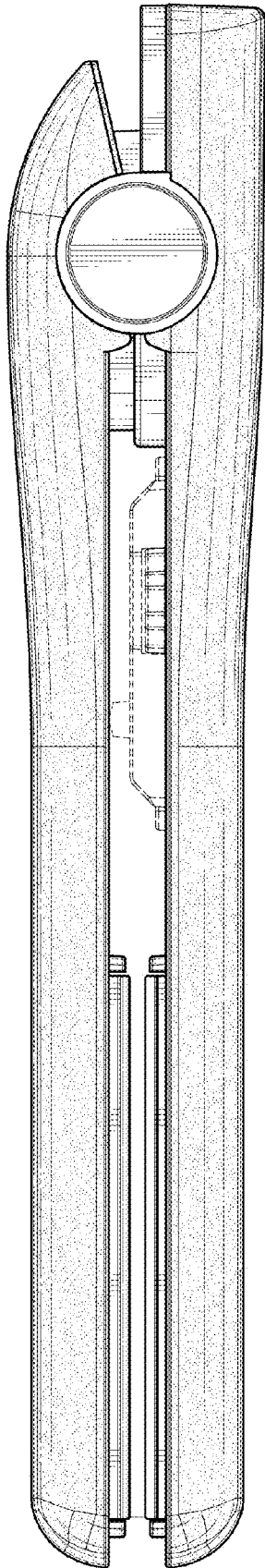
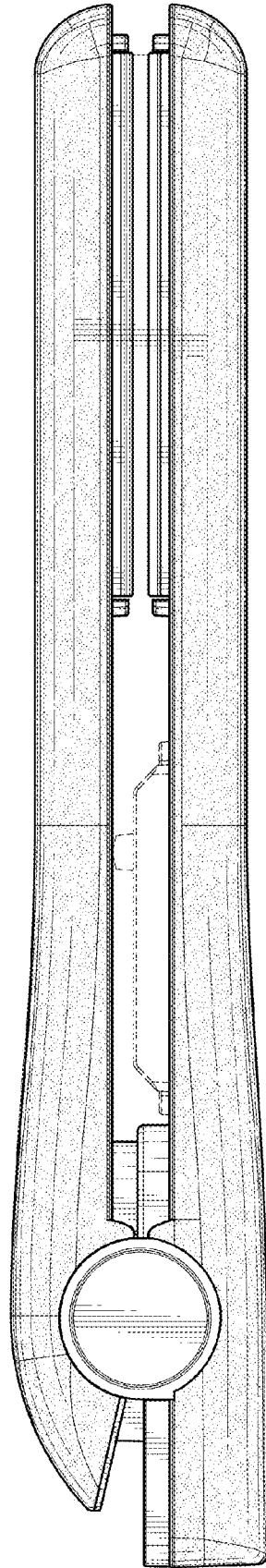


Fig. 2



*Fig. 3*



*Fig. 4*

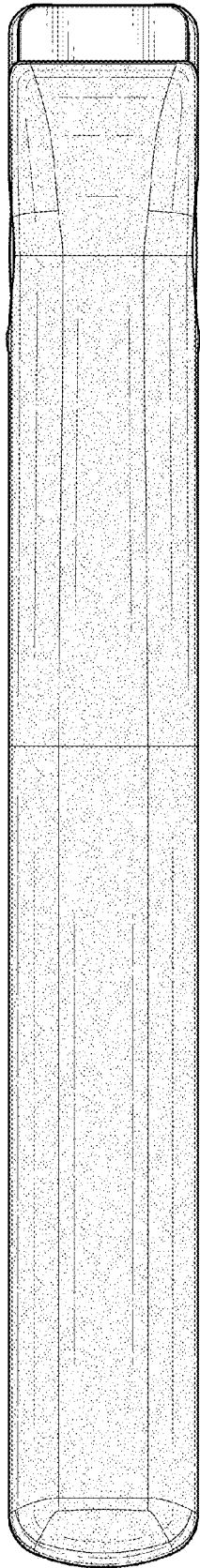


Fig. 5

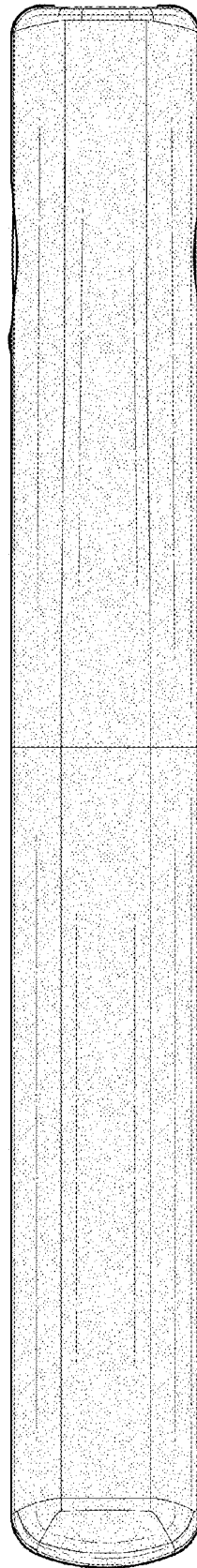
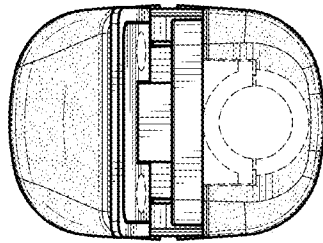
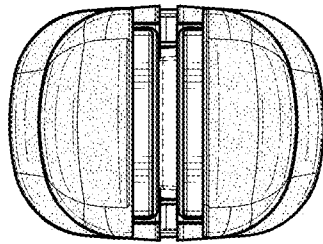


Fig. 6



*Fig. 8*



*Fig. 7*

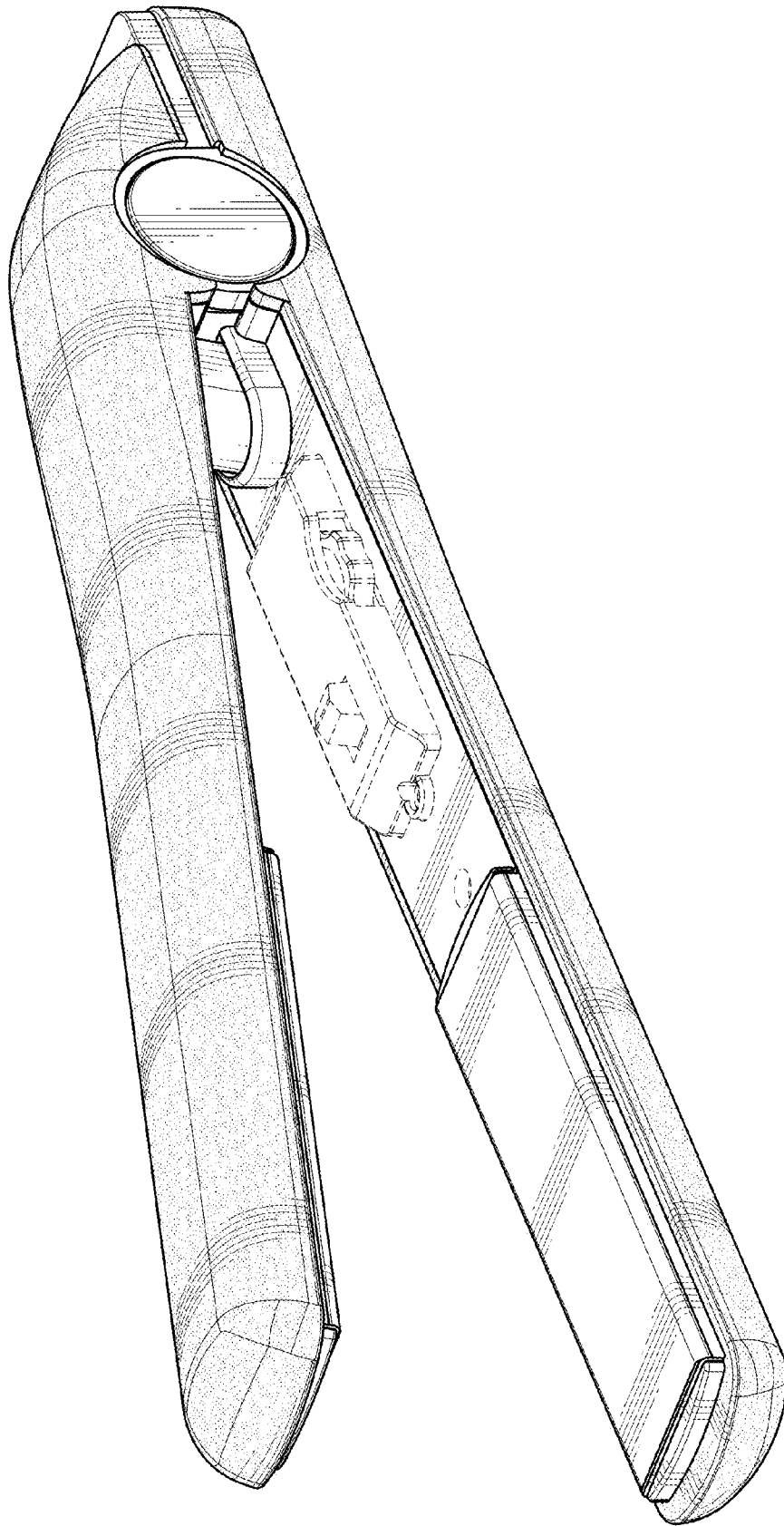


Fig. 9