

[54] DISPLAY UNIT

[76] Inventor: **Attilio Brentini**, Le Chateau, Crissier, Vaud, Switzerland, CH-1023

[**] Term: **14 Years**

[21] Appl. No.: **285,460**

[22] Filed: **Jul. 21, 1981**

Related U.S. Application Data

[63] Continuation-in-part of Ser. No. 20,245, Mar. 13, 1979, abandoned.

[52] U.S. Cl. **D6/483**

[58] Field of Search **D6/85, 181, 235; 211/13**

References Cited

U.S. PATENT DOCUMENTS

D. 133,367 8/1942 Bessinger D6/181

D. 150,162 7/1948 Scaman D6/181
D. 211,764 7/1968 DeVries D6/181
D. 252,305 7/1979 Waters D6/181

OTHER PUBLICATIONS

Siegel Metal & Form Displayees; Cat. 53, p. 26, stand 9-5.

Primary Examiner—B. J. Bullock
Attorney, Agent, or Firm—Emory L. Groff, Jr.

[57] **CLAIM**

The ornamental design for a display unit, substantially as shown.

DESCRIPTION

FIG. 1 is a side elevational view of the display unit showing my new design;
FIG. 2 is a front elevation view;
FIG. 3 is a top plan view;
FIG. 4 is a bottom plan view; and
FIG. 5 is a rear elevational view thereof.

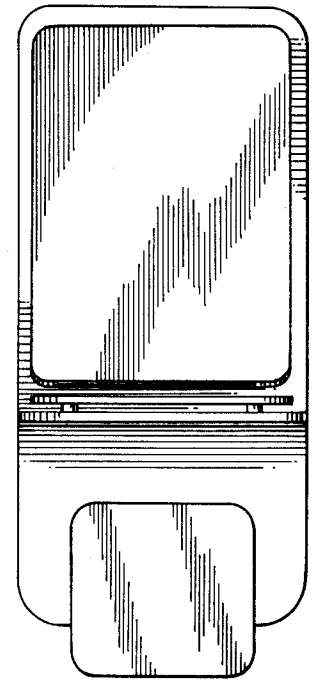
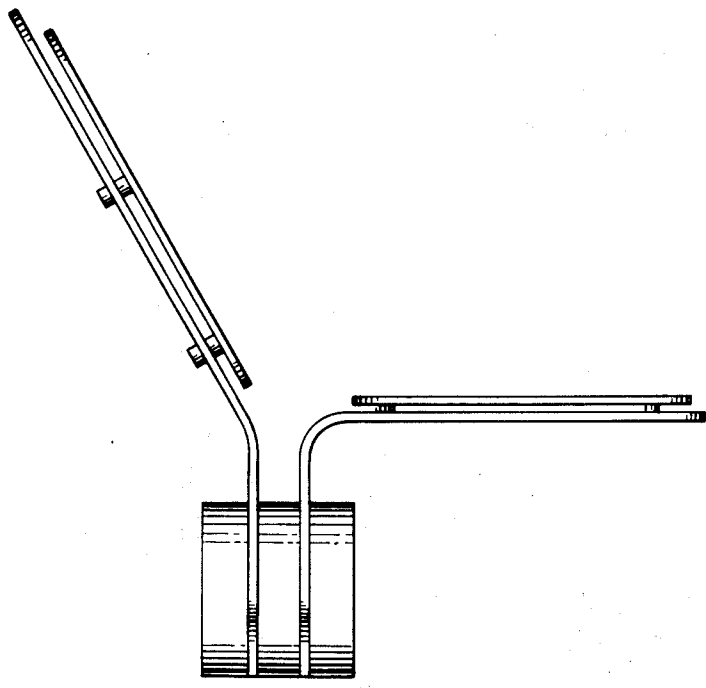


FIG. 2.

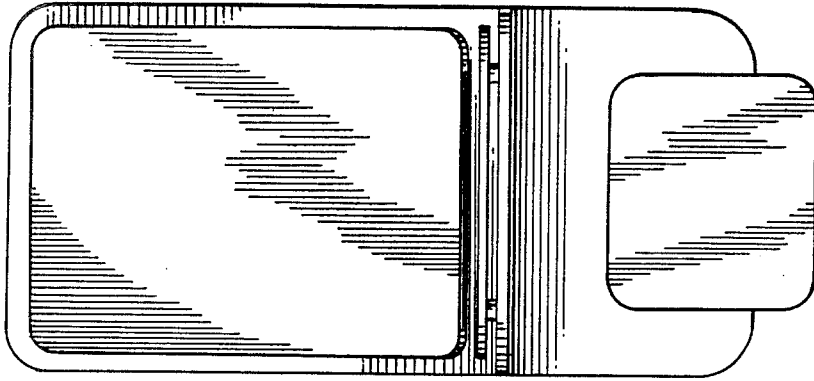


FIG. 1.

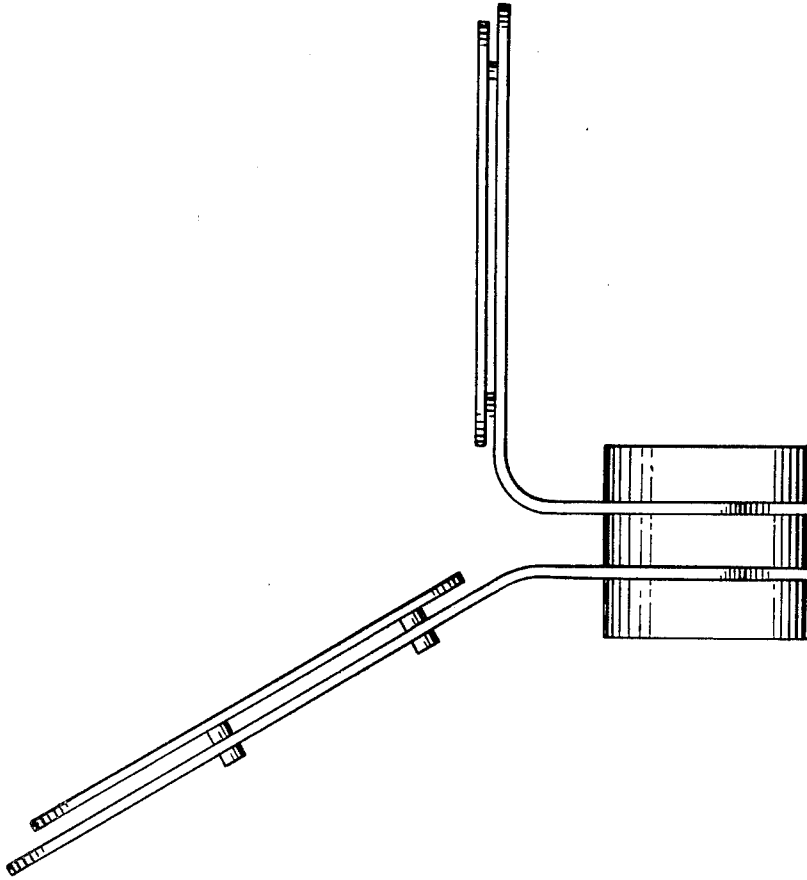


FIG. 3.

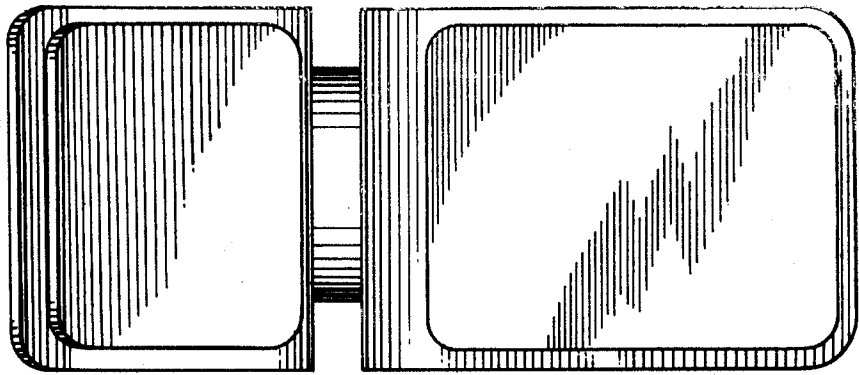


FIG. 4.

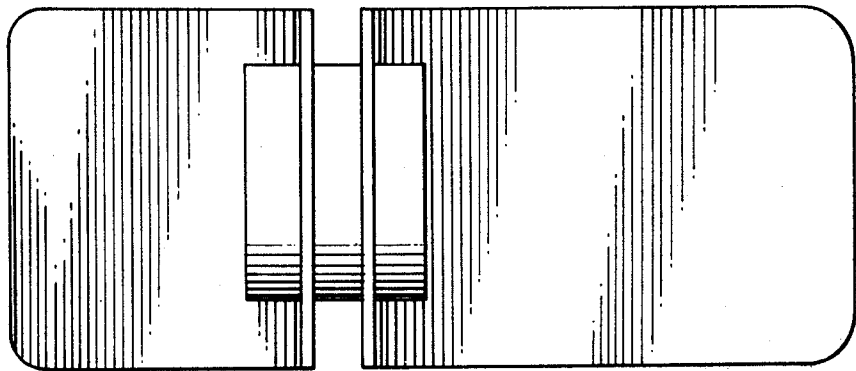


FIG. 5.

