



US00D592195S

(12) **United States Design Patent**
Wu et al.

(10) **Patent No.:** **US D592,195 S**

(45) **Date of Patent:** **** May 12, 2009**

(54) **ANTENNA**

(75) Inventors: **Hsin-Tsung Wu**, Taipei Hsien (TW);
Kai Shih, Taipei Hsien (TW); **Yu-Yuan Wu**, Taipei Hsien (TW)

(73) Assignee: **Cheng Uei Precision Industry Co., Ltd.**, Taipei Hsien (TW)

(**) Term: **14 Years**

(21) Appl. No.: **29/329,282**

(22) Filed: **Dec. 11, 2008**

(51) **LOC (9) Cl.** **14-03**

(52) **U.S. Cl.** **D14/230**

(58) **Field of Classification Search** D14/138,
D14/230-238, 299, 358; D12/42, 43; 34/700 MS,
34/700 R-705, 711-713, 741, 748, 767, 795,
34/819, 840, 846, 866, 871-908; 455/90.2,
455/90.3, 91, 128, 269, 344, 347, 562.1
See application file for complete search history.

(56) **References Cited**

U.S. PATENT DOCUMENTS

D456,388 S *	4/2002	Hwang	D14/230
6,836,252 B2 *	12/2004	Tai et al.	343/702
7,061,437 B2 *	6/2006	Lin et al.	343/702
D531,622 S *	11/2006	Chen et al.	D14/230
D555,154 S *	11/2007	Lin et al.	D14/230
7,333,067 B2 *	2/2008	Hung et al.	343/770

7,352,329 B2 *	4/2008	Chung et al.	343/700 MS
D576,614 S *	9/2008	Lee et al.	D14/230
D580,418 S *	11/2008	Yang et al.	D14/230
2005/0128151 A1 *	6/2005	Kwak et al.	343/702
2006/0197705 A1 *	9/2006	Chen et al.	343/700 MS
2007/0040750 A1 *	2/2007	Tai et al.	343/700 MS
2009/0027273 A1 *	1/2009	Lin et al.	343/700 MS
2009/0033557 A1 *	2/2009	Wei	343/700 MS
2009/0040114 A1 *	2/2009	Okamura et al.	343/700 MS

* cited by examiner

Primary Examiner—T. Chase Nelson

Assistant Examiner—John Windmuller

(74) *Attorney, Agent, or Firm*—WPAT, P.C.; Anthony King

(57) **CLAIM**

The ornamental design for an antenna, as shown and described.

DESCRIPTION

FIG. 1 is a perspective view of an antenna showing our new design;

FIG. 2 is a front elevational view thereof;

FIG. 3 is a rear elevational view thereof;

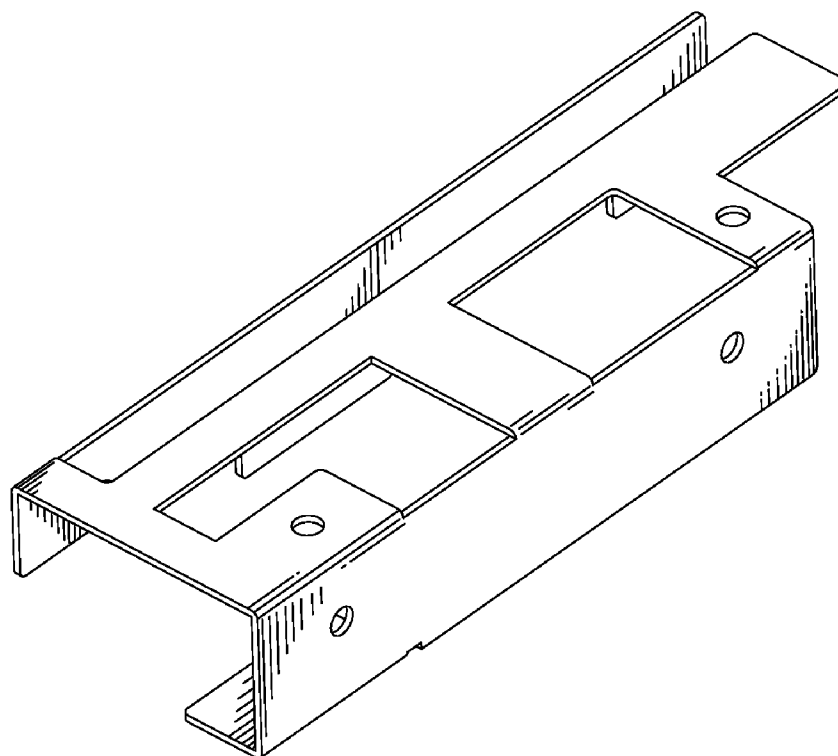
FIG. 4 is a left side elevational view thereof;

FIG. 5 is a right side elevational view thereof;

FIG. 6 is a top plan view thereof; and,

FIG. 7 is a bottom plan view thereof.

1 Claim, 7 Drawing Sheets



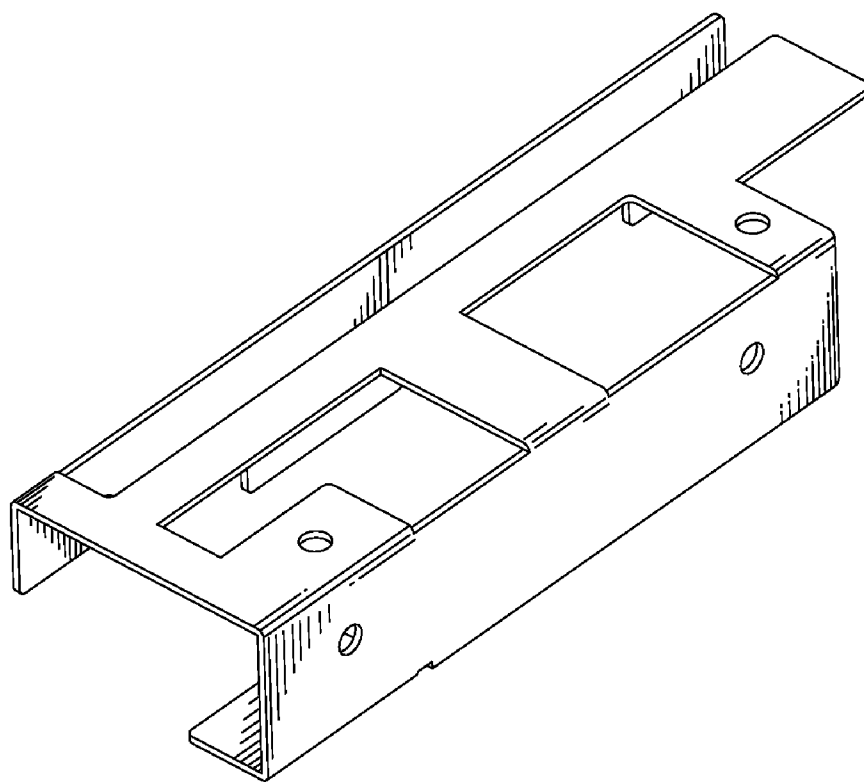


FIG. 1

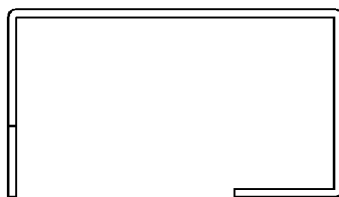


FIG. 2

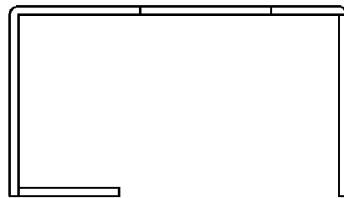


FIG. 3

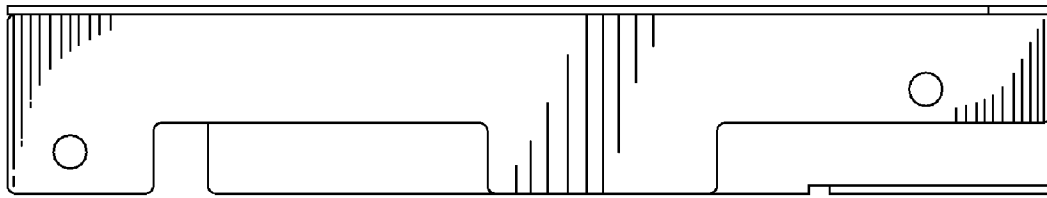


FIG. 4

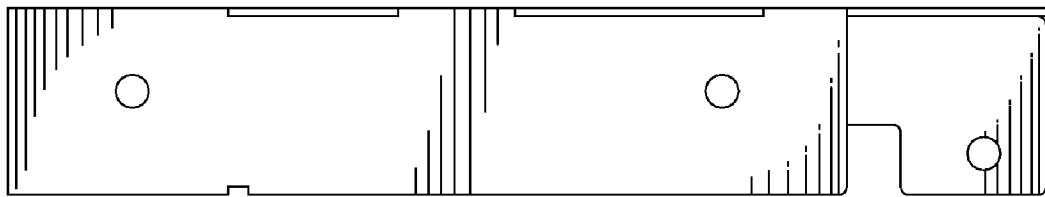


FIG. 5

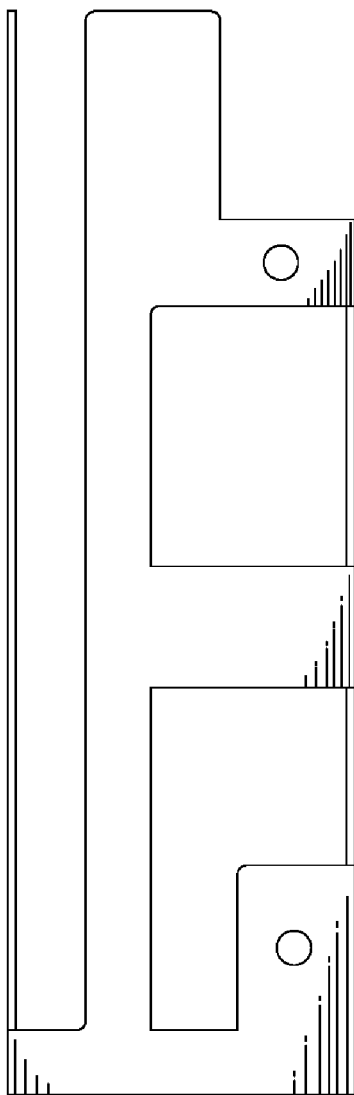


FIG. 6

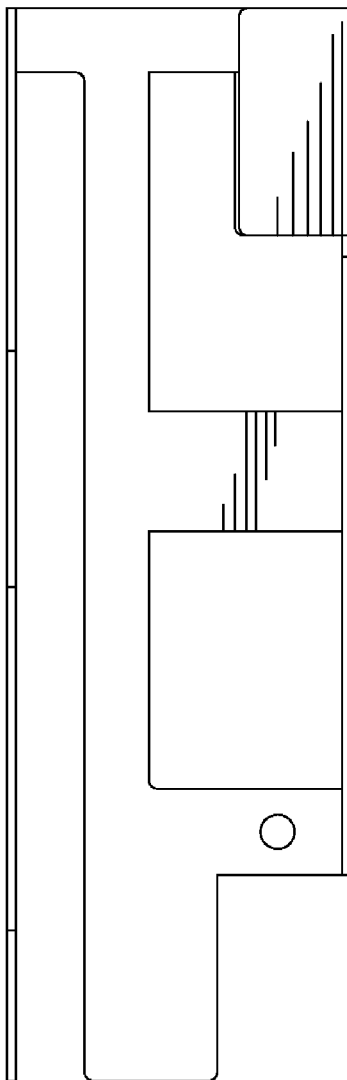


FIG. 7