

[54] WRENCH RACK

3,837,477 9/1974 Boudreau ..... 206/376  
4,705,168 11/1987 Ward .

[76] Inventor: Craig K. Gould, 501 Walnut Ave.,  
Apt. 17 SE., Roanoke, Va. 24014

FOREIGN PATENT DOCUMENTS

[\*\*] Term: 14 Years

574822 7/1924 France ..... 211/124

[21] Appl. No.: 45,116

Primary Examiner—A. Hugo Word  
Assistant Examiner—Doris V. Coles  
Attorney, Agent, or Firm—Sughrue, Mion, Zinn,  
Macpeak & Seas

[22] Filed: May 4, 1987

[52] U.S. Cl. .... D6/553; D6/552

[58] Field of Search ..... D3/74; 206/376, 377,  
206/378; D6/552, 553, 572, 574; 211/70.6,  
60.1, 124; D34/40, 44-46

[57] CLAIM

The ornamental design for a wrench rack, as shown and described.

[56] References Cited

U.S. PATENT DOCUMENTS

D. 241,392	9/1976	Taylor	.....	D6/552
D. 256,253	8/1980	Suljic	.....	D6/574
1,830,577	11/1931	Vallone	.....	206/376
3,077,977	2/1963	Wood	.....	211/70.6
3,370,696	2/1968	Groe	.....	206/376
3,702,136	11/1972	Albertson	.....	206/376

DESCRIPTION

FIG. 1 is a top, front and left side perspective view of a wrench rack showing my new design; FIG. 2 is a right side elevational view thereof; FIG. 3 is a front elevational view thereof; FIG. 4 is a rear elevational view thereof; and FIG. 5 is a bottom plan view thereof.

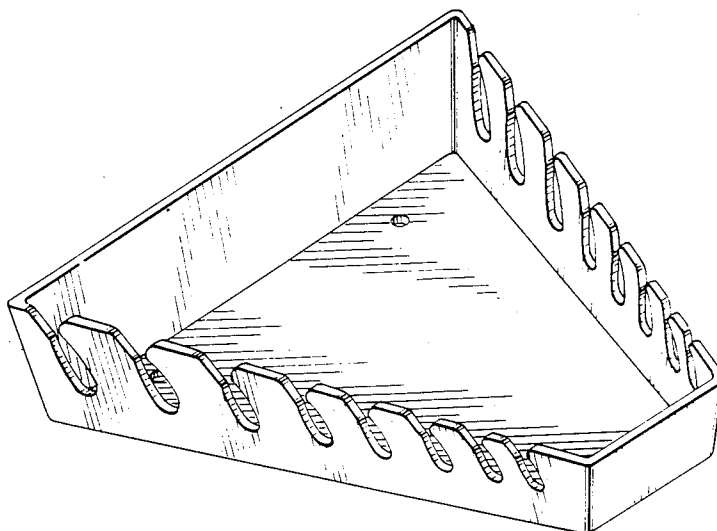


FIG. 1

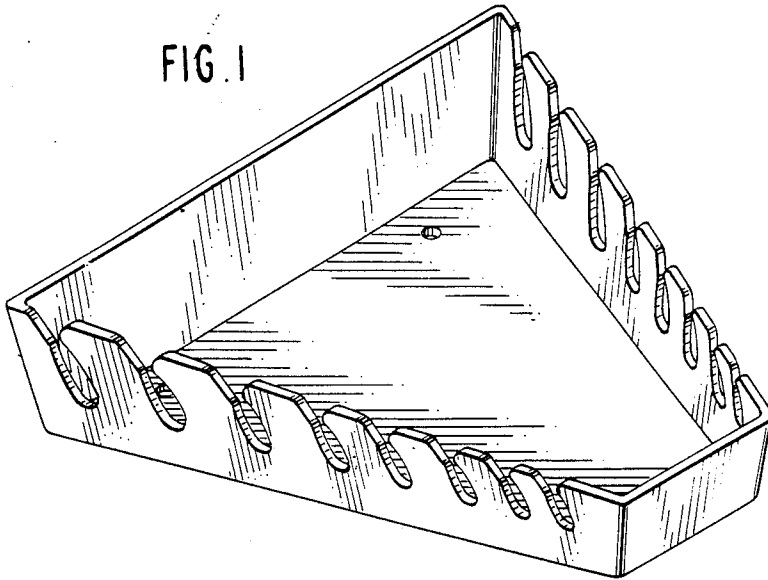


FIG. 2

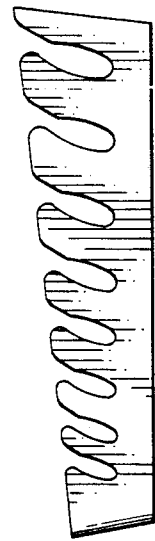


FIG. 3

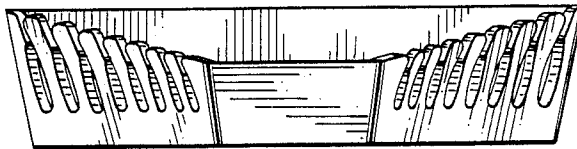


FIG. 4

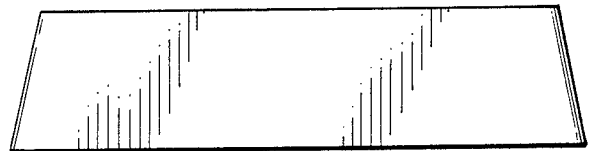


FIG. 5

