



US00D810274S

(12) **United States Design Patent**
Yang

(10) **Patent No.:** **US D810,274 S**

(45) **Date of Patent:** **** Feb. 13, 2018**

(54) **RESPIRATOR**

(71) Applicant: **Ningbo Geostar Photoelectric Technology Co., Ltd**, Zhejiang Province (CN)

(72) Inventor: **Zhaolin Yang**, Zhejiang Province (CN)

(**) Term: **15 Years**

(21) Appl. No.: **29/575,847**

(22) Filed: **Aug. 30, 2016**

(51) **LOC (11) Cl.** **29-02**

(52) **U.S. Cl.**
USPC **D24/110**; D24/110.1; D24/110.4

(58) **Field of Classification Search**
USPC D24/164, 170, 185, 186, 110, 110.1, D24/110.4, 110.5, 110.6; D15/5; D23/365
CPC .. A61M 16/06; A61M 16/101; A61M 16/107; A61M 2016/1025; A61M 16/10; A61M 2202/0208

See application file for complete search history.

(56) **References Cited**

U.S. PATENT DOCUMENTS

D423,101 S *	4/2000	Durst	D24/164
D449,099 S *	10/2001	Juhlin	D23/355
D635,245 S *	3/2011	Virr	D24/110
D727,511 S *	4/2015	Dehmke	D24/164
D739,007 S *	9/2015	Kallman	D24/110
D756,519 S *	5/2016	Adams	D24/164

D774,180 S *	12/2016	Wu	D24/110
2010/0229867 A1*	9/2010	Bertinetti	A61M 16/0051
				128/205.25
2011/0126713 A1*	6/2011	Legare	A62B 23/02
				96/135
2014/0299130 A1*	10/2014	Librett	A61M 16/0066
				128/204.18
2016/0001103 A1*	1/2016	Huh	A62B 18/02
				128/202.22

* cited by examiner

Primary Examiner — Sheryl Lane

Assistant Examiner — Calvin E Vansant

(74) *Attorney, Agent, or Firm* — Prakash Nama; Global IP Services, PLLC

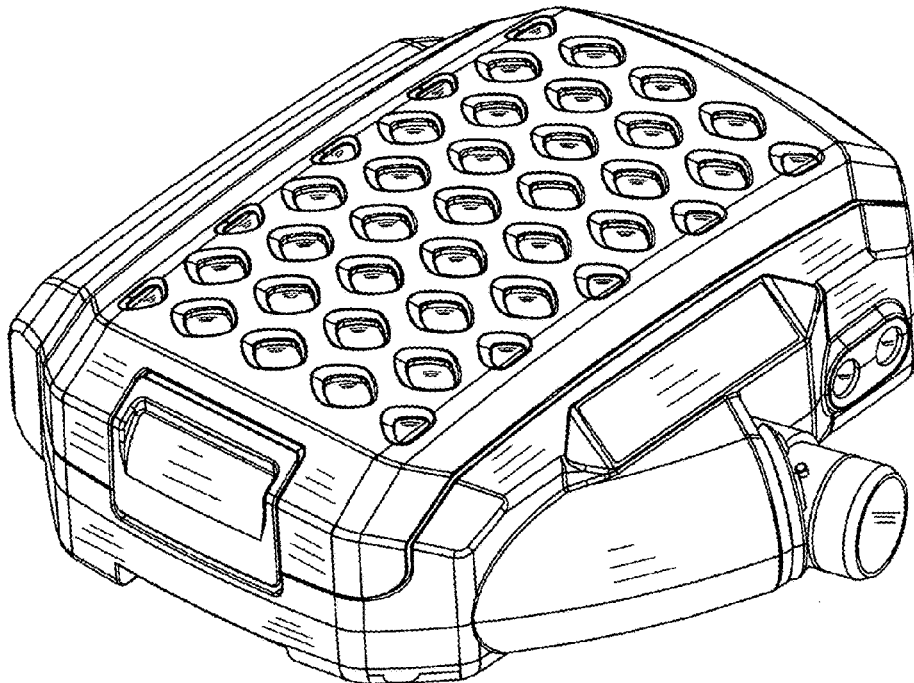
(57) **CLAIM**

The ornamental design for a respirator, as shown.

DESCRIPTION

FIG. 1 is a front elevational view of a respirator showing my new design;
FIG. 2 is a rear elevational view thereof;
FIG. 3 is a left side view thereof;
FIG. 4 is a right side view thereof;
FIG. 5 is a top plan view thereof;
FIG. 6 is a bottom plan view thereof;
FIG. 7 is a perspective view thereof;
FIG. 8 is a second perspective view thereof; and,
FIG. 9 is a third perspective view thereof.

1 Claim, 7 Drawing Sheets



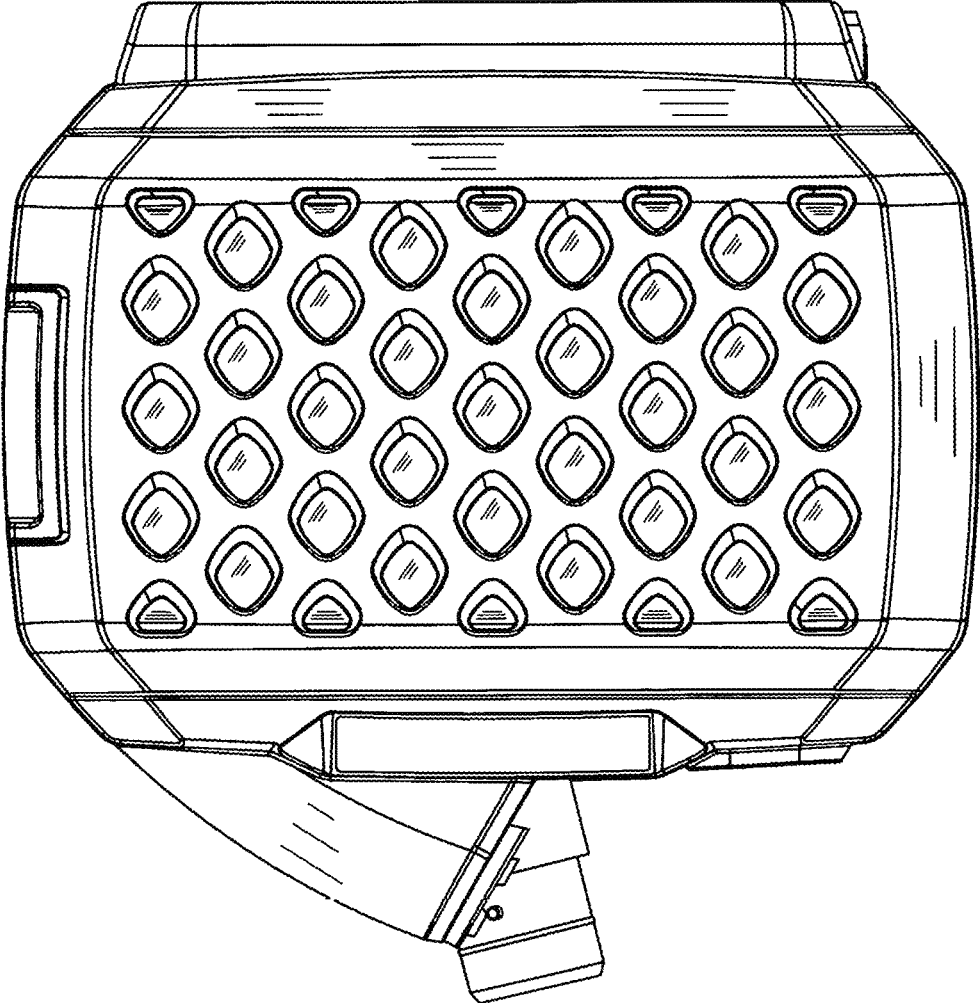


FIG. 1

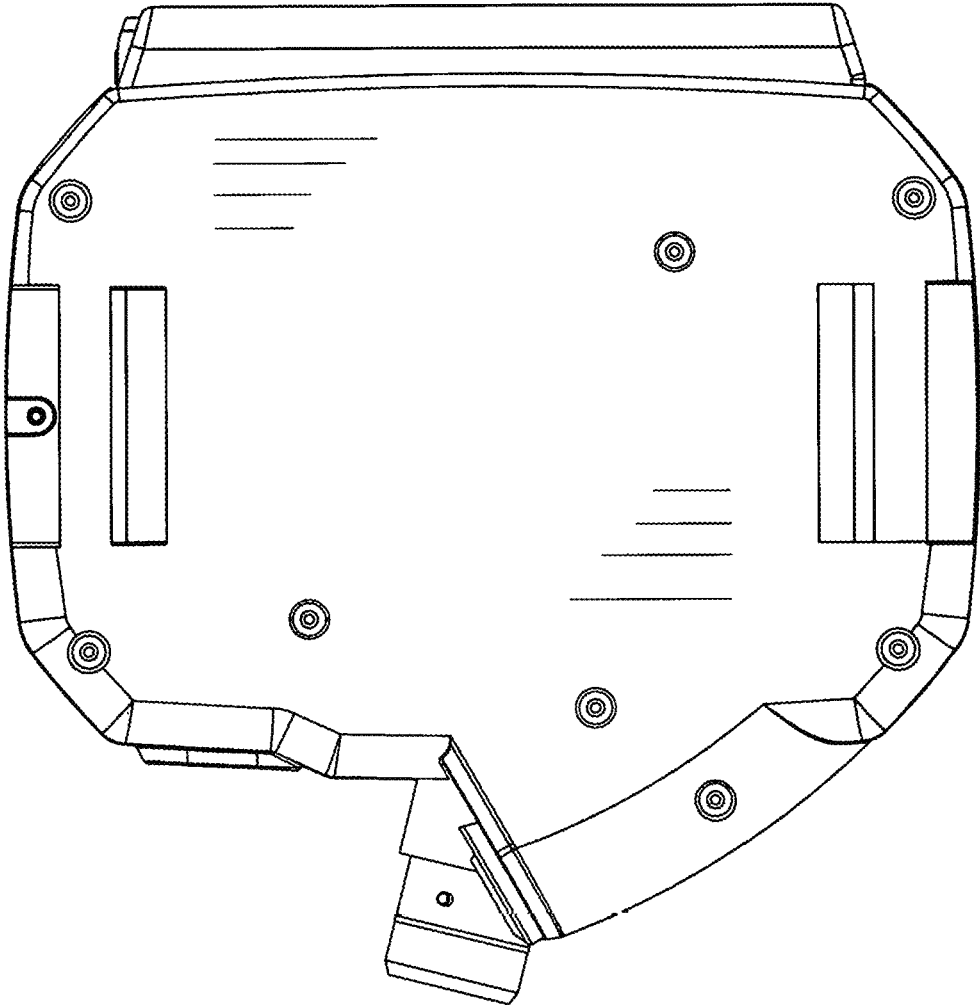


FIG. 2

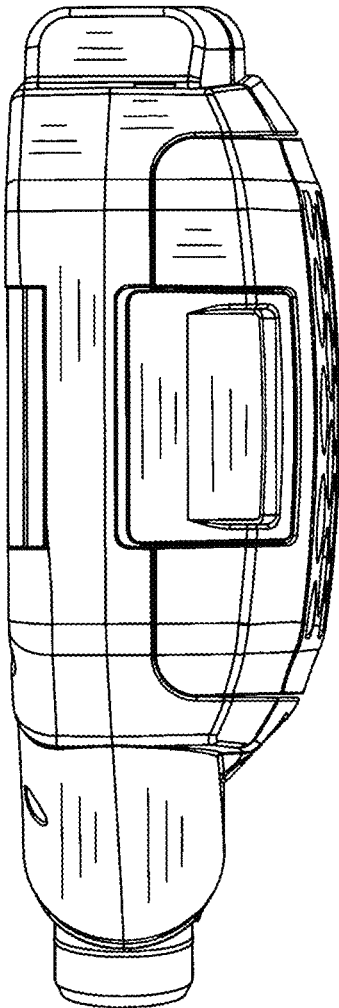


FIG. 3

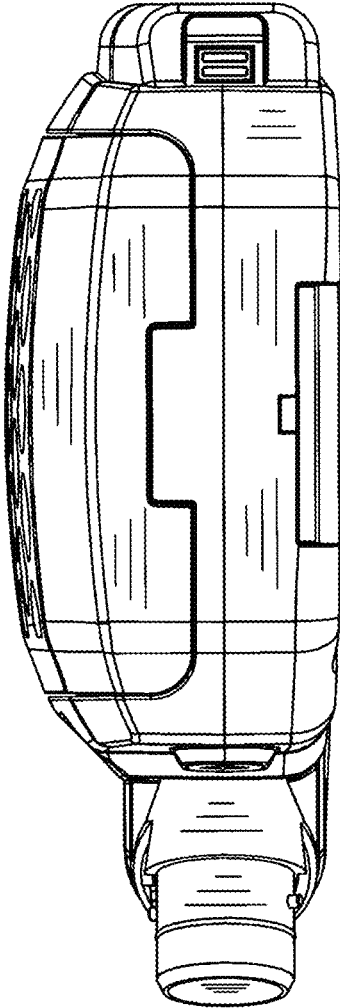


FIG. 4

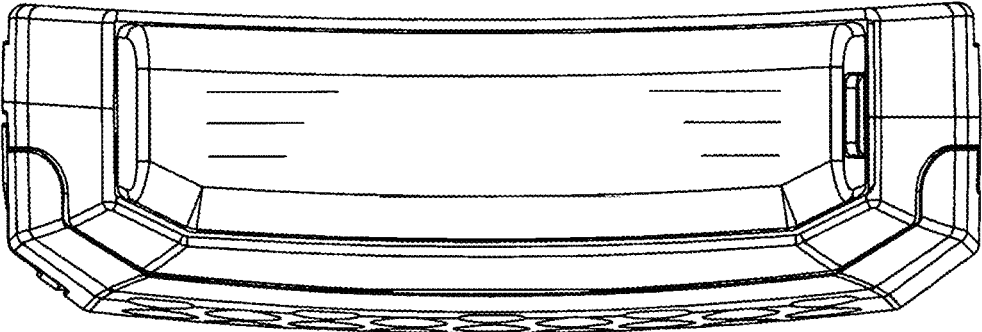


FIG. 5

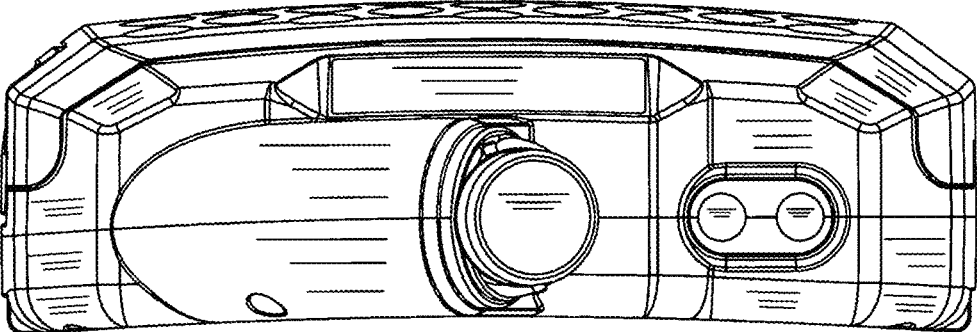


FIG. 6

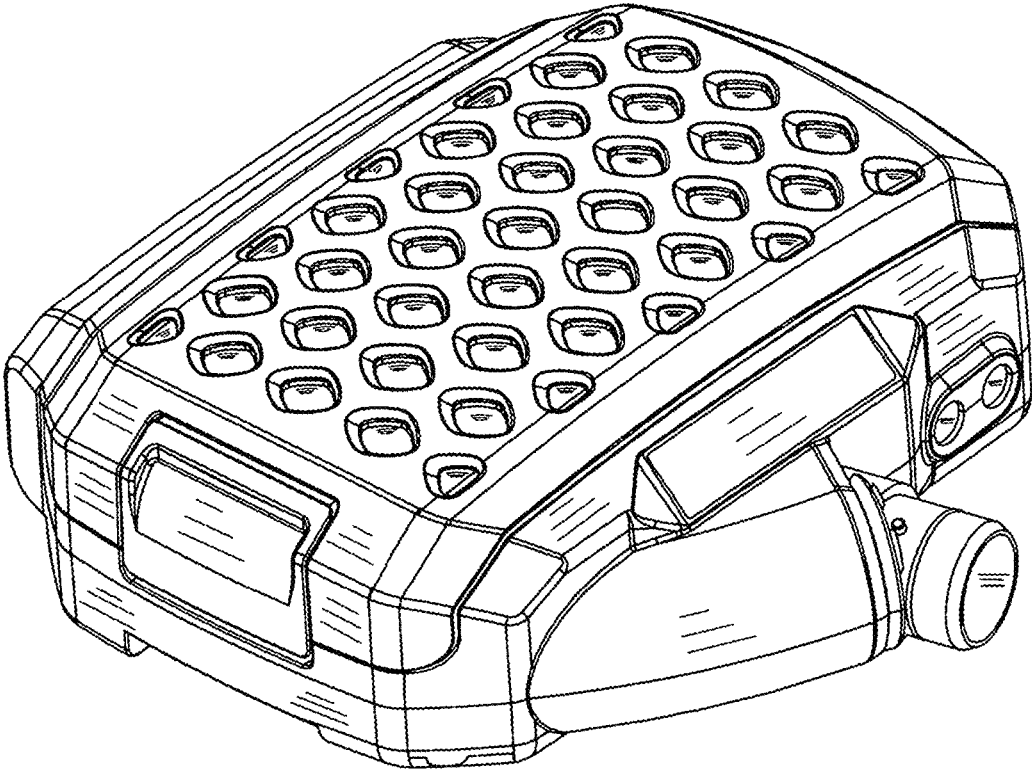


FIG. 7

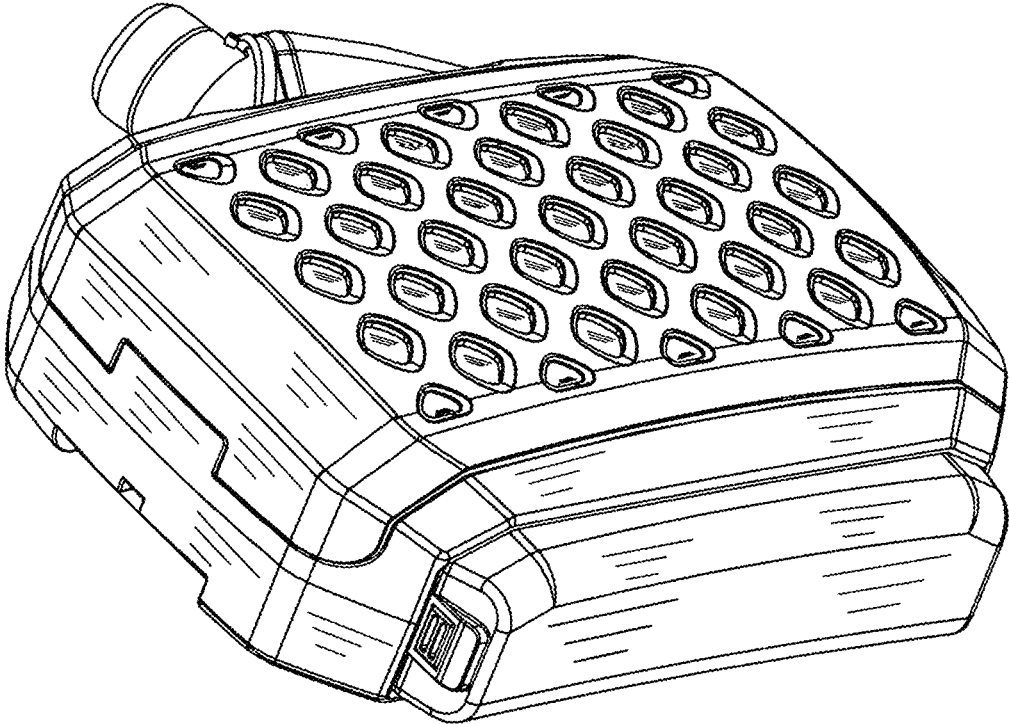


FIG. 8

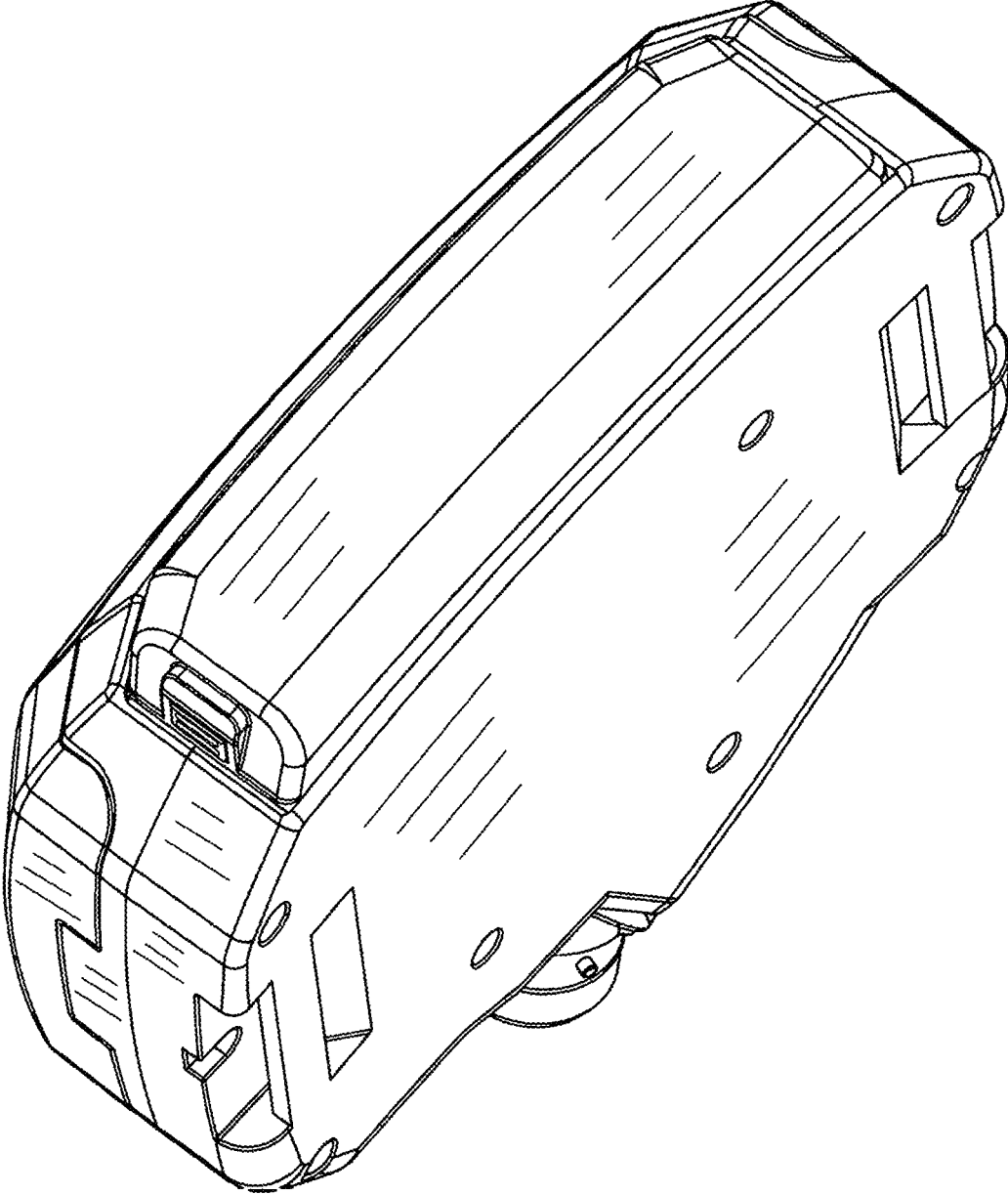


FIG. 9