



US00D918847S

(12) **United States Design Patent**
Cyzen et al.

(10) **Patent No.:** **US D918,847 S**

(45) **Date of Patent:** **** May 11, 2021**

- (54) **OUTLET PLATE**
- (71) Applicant: **Keith Cyzen**, Glen Ellyn, IL (US)
- (72) Inventors: **Keith Cyzen**, Glen Ellyn, IL (US);
Mike Rafferty, Madison, WI (US)
- (73) Assignee: **Keith Cyzen**, Glen Ellyn, IL (US)
- (**) Term: **15 Years**

3,257,497 A 6/1966 Chase
 3,689,868 A 9/1972 Snyder
 3,775,729 A 11/1973 Casper
 3,811,104 A * 5/1974 Caldwell H01R 13/6395
 439/135
 3,930,116 A * 12/1975 Richards H01R 13/60
 174/66
 4,083,618 A 4/1978 Busch, Jr.
 (Continued)

- (21) Appl. No.: **29/737,588**
- (22) Filed: **Jun. 10, 2020**

FOREIGN PATENT DOCUMENTS

CN 203589299 U 5/2014

OTHER PUBLICATIONS

<https://www.amazon.com/Lock-Plug-Electrical-Extension-Appliances/dp/B06WW61RRC>, publicly available at least as early as Dec. 17, 2017.

(Continued)

Primary Examiner — Jennifer O King
(74) *Attorney, Agent, or Firm* — Marshall, Gerstein & Borun LLP

- Related U.S. Application Data**
- (62) Division of application No. 29/656,608, filed on Jul. 13, 2018, now Pat. No. Des. 889,417.
 - (51) **LOC (13) Cl.** **13-03**
 - (52) **U.S. Cl.**
USPC **D13/156**
 - (58) **Field of Classification Search**
USPC D13/110, 123, 133, 137.1, 139.1, 139.4,
D13/152, 154, 155, 156, 158, 162, 164,
D13/169, 173, 177, 184; D8/349–351,
D8/353, 356
CPC H01R 13/447; H01R 13/6395; H01R
13/639; H01R 13/6397; H02J 7/0042
See application file for complete search history.

CLAIM

(57) The ornamental design for an outlet plate, as shown and described.

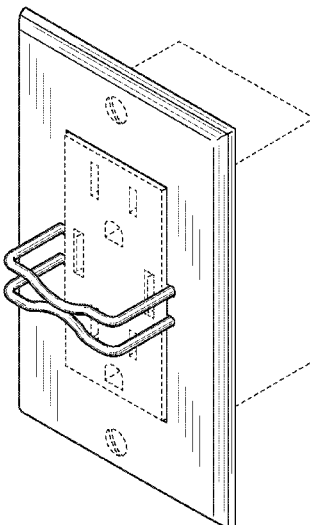
DESCRIPTION

FIG. 1 is a perspective view showing a new design for an outlet plate;
FIG. 2 is a front view of the outlet plate of FIG. 1;
FIG. 3 is a rear view of the outlet plate of FIG. 1;
FIG. 4 is a right-side view of the outlet plate of FIG. 1;
FIG. 5 is a left-side view of the outlet plate of FIG. 1;
FIG. 6 is a top view of the outlet plate of FIG. 1; and,
FIG. 7 is a bottom view of the outlet plate of FIG. 1.
The dashed lines showing portions of the outlet plate are included for the purpose of illustrating environment and form no part of the claimed design.

(56) **References Cited**
U.S. PATENT DOCUMENTS

- 2,438,143 A 3/1948 Brown
- D162,509 S 3/1951 Austin
- 2,673,969 A 3/1954 Pfister
- 2,722,665 A 11/1955 Sauder
- 2,770,697 A 11/1956 Kellett
- 3,013,105 A 12/1961 Craig
- 3,102,922 A * 9/1963 De Lashmutt H01R 13/6395
174/135
- 3,113,996 A 12/1963 Sanford
- 3,159,446 A 12/1964 Protzmann

1 Claim, 7 Drawing Sheets



(56)

References Cited

U.S. PATENT DOCUMENTS

- 4,105,274 A * 8/1978 Casey H01R 13/6395
439/368
- D261,135 S 10/1981 Horne
4,293,173 A 10/1981 Tricca
4,457,571 A 7/1984 Lavine et al.
D275,175 S 8/1984 Rolli, Jr.
D283,221 S 4/1986 West
4,617,613 A 10/1986 Rice
4,895,527 A 1/1990 Brown et al.
4,895,999 A 1/1990 Calderon
4,921,444 A 5/1990 Cama
D308,626 S 6/1990 Villarreal
D309,093 S 7/1990 Reinholt
4,969,833 A 11/1990 Lindow et al.
4,973,801 A 11/1990 Frick et al.
4,993,963 A 2/1991 Pedigo
5,011,427 A 4/1991 Martin
D317,859 S 7/1991 Kobayashi
D318,460 S 7/1991 Heath et al.
5,174,773 A 12/1992 Jones
D346,362 S 4/1994 Bouley
D359,271 S 6/1995 Reinholt
D372,224 S 7/1996 Larned et al.
5,575,677 A 11/1996 Buckner et al.
5,589,665 A 12/1996 Scamacca
5,655,924 A 8/1997 Cross et al.
D383,051 S * 9/1997 Oien D8/356
D401,842 S * 12/1998 Johnson, Jr. D8/356
D415,113 S 10/1999 Driver, III
5,989,052 A 11/1999 Fields et al.
6,699,060 B1 3/2004 Scott
D506,126 S * 6/2005 Amy D12/223
D508,025 S 8/2005 Dirks
D509,193 S 9/2005 Piedmont
7,014,493 B1 3/2006 Battard
7,041,905 B1 5/2006 Stewart
7,056,145 B2 6/2006 Campbell, III et al.
D549,175 S 8/2007 Slasinski
7,255,588 B2 8/2007 Wilder
D559,782 S 1/2008 Slasinski
7,371,105 B1 5/2008 Allende
7,384,304 B1 6/2008 Fawcett
D581,255 S * 11/2008 Calvin D8/356
7,513,791 B1 * 4/2009 Gary H01R 13/6395
439/373
- 7,528,323 B2 5/2009 Wu et al.
7,638,710 B1 12/2009 Vance
7,850,478 B2 12/2010 Lin et al.
8,021,174 B1 9/2011 Schutte
8,222,522 B1 7/2012 Easthouse
8,287,298 B2 * 10/2012 Hsu H01R 13/6395
439/352
- 8,337,236 B2 12/2012 Shu
8,864,517 B2 10/2014 Cohen
9,048,570 B2 6/2015 Goel
9,065,263 B2 6/2015 Porcano
- 9,083,180 B2 7/2015 Dodal et al.
9,147,973 B1 9/2015 Madison
9,337,676 B2 5/2016 Benigno
9,350,151 B2 5/2016 Michaelis, IV
D784,791 S 4/2017 Aragaw
D788,045 S 5/2017 Zeng
9,653,898 B1 5/2017 Deaton et al.
D793,209 S * 8/2017 Galpchian D8/356
D793,846 S 8/2017 Armstrong, Jr. et al.
9,825,414 B2 11/2017 Armstrong et al.
9,991,627 B1 6/2018 Hemme
D823,263 S 7/2018 Cyzen
10,148,033 B2 12/2018 Mortun
10,276,979 B2 4/2019 Cyzen
D860,141 S 9/2019 Cyzen
10,439,327 B1 10/2019 Cyzen
D871,351 S 12/2019 Lee et al.
D886,745 S * 6/2020 Cyzen D13/156
D889,417 S * 7/2020 Cyzen D13/156
2011/0070756 A1 3/2011 Peckham
2015/0147908 A1 5/2015 Jauch
2017/0214201 A1 7/2017 Armstrong et al.
2019/0214770 A1 7/2019 Cyzen
2020/0021060 A1 1/2020 Cyzen

OTHER PUBLICATIONS

https://www.amazon.com/LectraLock-Safety-Electrical-Outlet-Duplex/dp/B009UXONBO/ref=zg_bs_166867011_6?_encoding=UTF8&refRID=EMGGM%E2%80%A6, publicly available at least as early as Dec. 17, 2017.

https://www.amazon.com/gp/offer-listing/B073V3LR2R/ref=dp_olp_new_mbc?ie=UTF8&condition=new, publicly available at least as early as Dec. 17, 2017.

https://www.amazon.com/Secure-Connect-Electrical-Safety-Product/dp/B0083V4NG0/ref=pd_sbs_107_5?_encoding=UTF8&pd_rd_i=B0083V4NG0&p%E2%80%A6, publicly available at least as early as Dec. 17, 2017.

https://www.kickstarter.com/projects/1881196998/myplug-the-first-theft-proof-charging-cable-ever-m?ref=nav_search, publicly available at least as early as Dec. 17, 2017.

<http://ideas.northwestern.edu/projects/charger+.html>, publicly available at least as early as Dec. 17, 2017.

<http://www.ichargerlock.com/>, publicly available at least as early as Dec. 17, 2017.

https://www.kickstarter.com/projects/1881196998/myplug-the-first-theft-proof-charging-cable-ever-m?ref=nav_search, publicly available at least as early as Dec. 17, 2017.

International Search Report and Written Opinion of the International Searching Authority for International Application PCT/US2018/043358, dated Oct. 9, 2018.

International Application No. PCT/US2019/038251, International Search Report and Written Opinion, dated Sep. 17, 2019.

Chinese Patent Application No. 201810013949.3, First Office Action, dated Feb. 3, 2020.

* cited by examiner

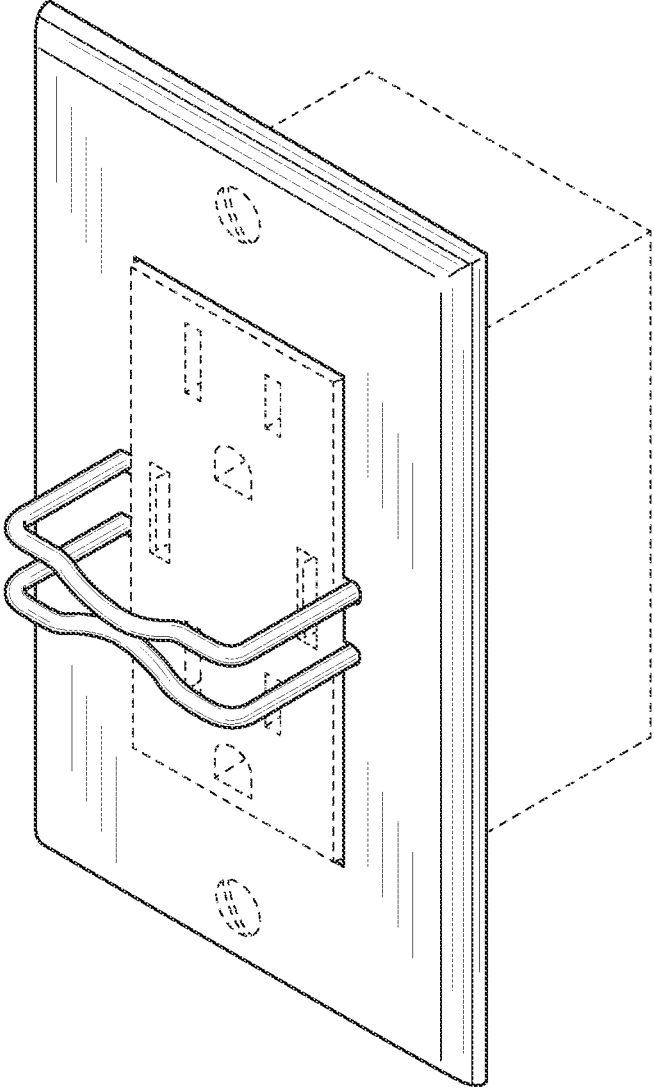


FIG. 1

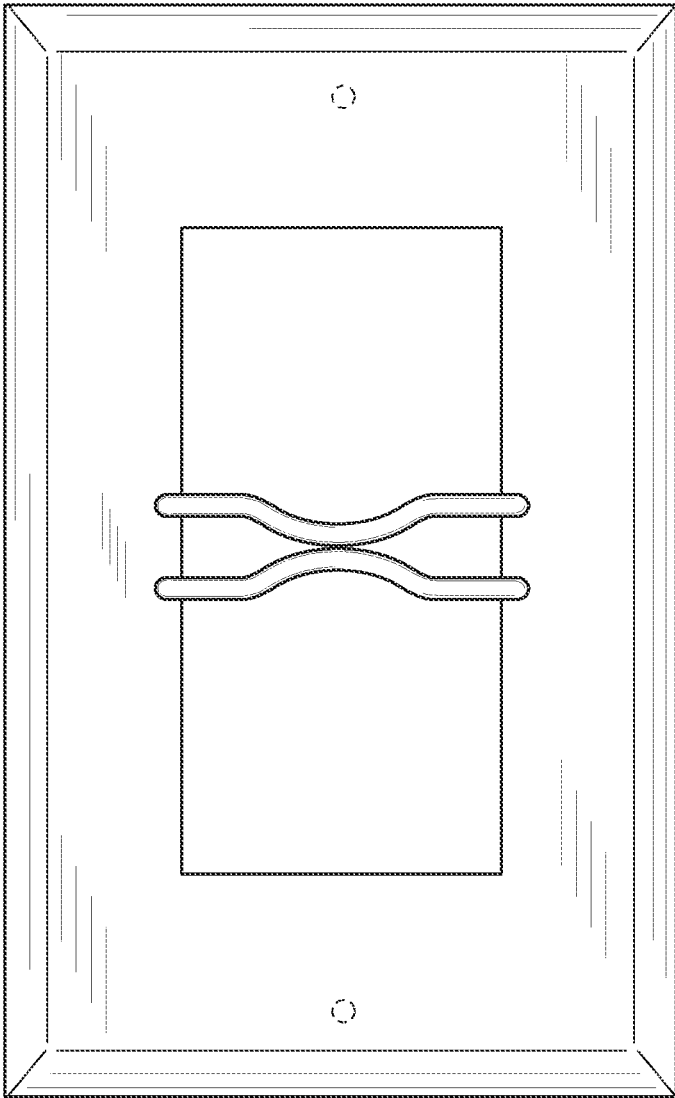


FIG. 2

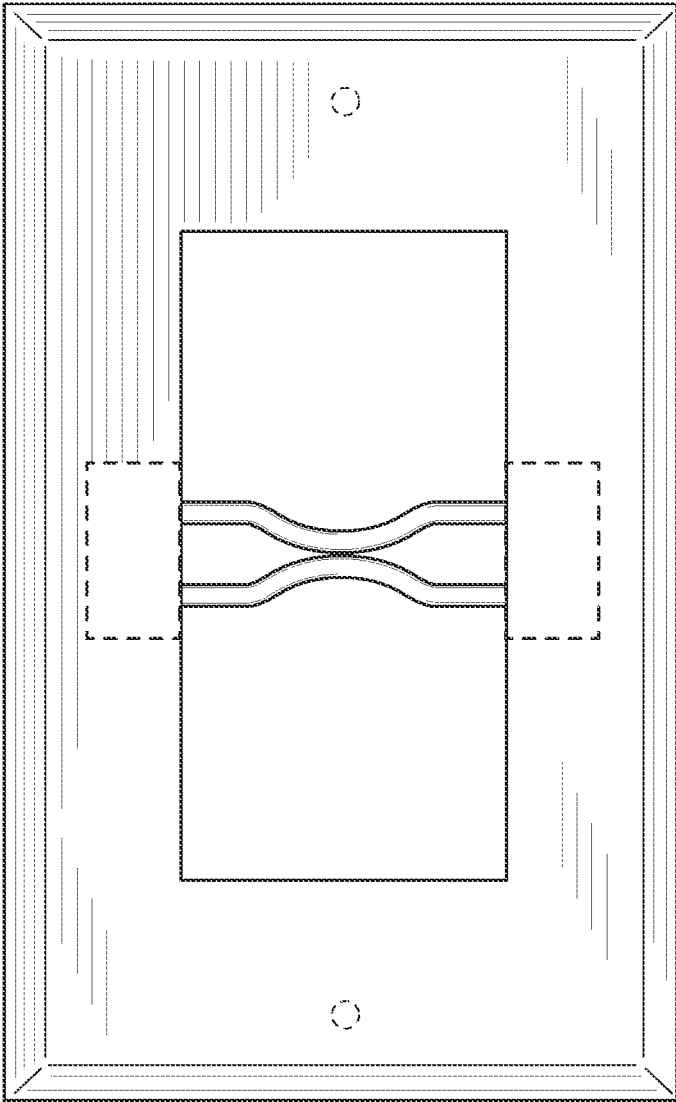


FIG. 3

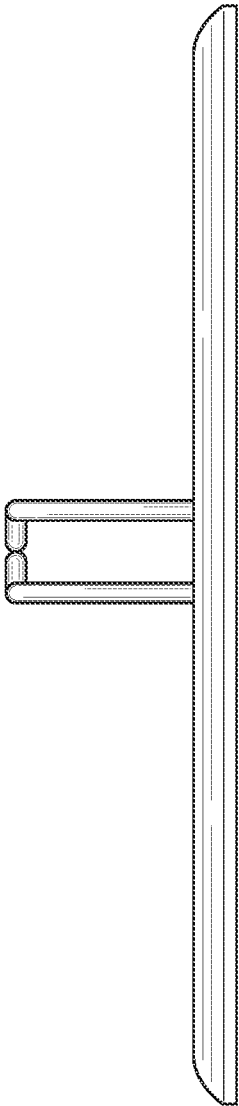


FIG. 4

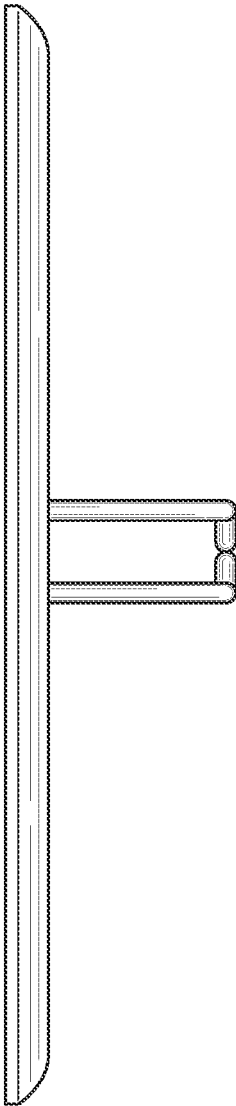


FIG. 5



FIG. 6



FIG. 7