



US00D644230S

(12) **United States Design Patent**
Lin

(10) **Patent No.:** **US D644,230 S**

(45) **Date of Patent:** **** Aug. 30, 2011**

(54) **SUPPORT OF ELECTRONIC DEVICE**

(75) Inventor: **Chung-Hung Lin**, Tainan County (TW)

(73) Assignee: **Jow Tong Technology Co., Ltd.**, Tainan Hsien (TW)

(**) Term: **14 Years**

(21) Appl. No.: **29/382,351**

(22) Filed: **Jan. 3, 2011**

(51) **LOC (9) Cl.** **08-07**

(52) **U.S. Cl.** **D14/447**

(58) **Field of Classification Search** D14/447,
D14/451, 452, 448, 457, 432, 434, 440, 217,
D14/250, 251, 253, 239, 238.1, 373; D3/218;
D6/406.3, 406.4, 406.5, 406.6; D8/363,
D8/373, 380; 248/917-924, 139, 149, 150,
248/155.2, 371, 415, 176.3, 324, 687, 688,
248/441.1, 447, 454, 455, 456, 457, 460;
361/679.04, 679.05, 679.06, 679.02, 679.07,
361/679.09, 679.21, 679.26, 679.3, 379.55,
361/679.56

See application file for complete search history.

(56) **References Cited**

U.S. PATENT DOCUMENTS

D358,144	S	*	5/1995	Masaaki	D14/447
5,607,135	A	*	3/1997	Yamada	248/456
D457,162	S	*	5/2002	Hawkins et al.	D14/434
D494,182	S	*	8/2004	Singer et al.	D14/451

D533,558	S	*	12/2006	Elkhuizen et al.	D14/447
D573,598	S	*	7/2008	Chu	D14/447
D584,731	S	*	1/2009	Montgomery et al.	D14/434
D589,964	S	*	4/2009	Heggland et al.	D14/434
D608,351	S	*	1/2010	Song	D14/217
D609,707	S	*	2/2010	Lee	D14/434
D624,549	S	*	9/2010	Okoshi et al.	D14/451
D626,964	S	*	11/2010	Richardson et al.	D14/447
D635,918	S	*	4/2011	Le et al.	D13/108

* cited by examiner

Primary Examiner — Angela Lee

(74) *Attorney, Agent, or Firm* — Rosenberg, Klein & Lee

(57) **CLAIM**

The ornamental design for a support of electronic device, as shown and described.

DESCRIPTION

FIG. 1 is a perspective view of a support of electronic device showing my new design;

FIG. 2 is a front elevational view thereof;

FIG. 3 is a rear elevational view thereof;

FIG. 4 is a left side elevational view thereof;

FIG. 5 is a right side elevational view thereof;

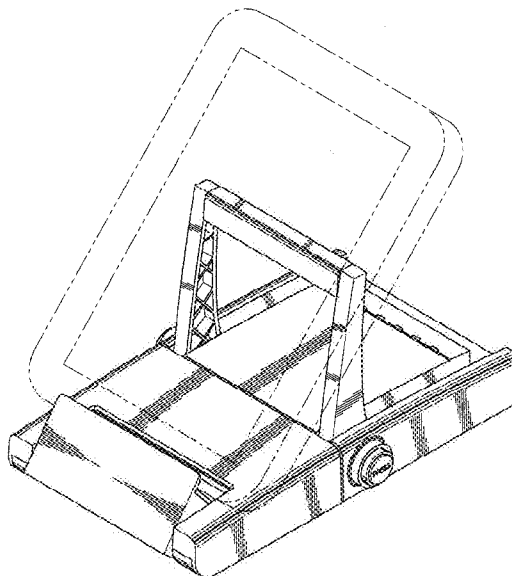
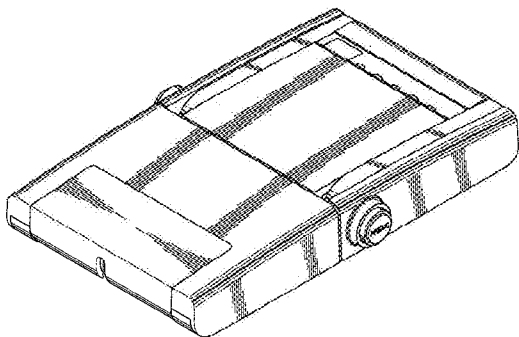
FIG. 6 is a top plan view thereof;

FIG. 7 is a bottom plan view thereof; and,

FIG. 8 is a perspective view thereof, but showing the support of electronic device in an alternate position.

The electronic device shown in broken lines forms no part of the claimed design.

1 Claim, 8 Drawing Sheets



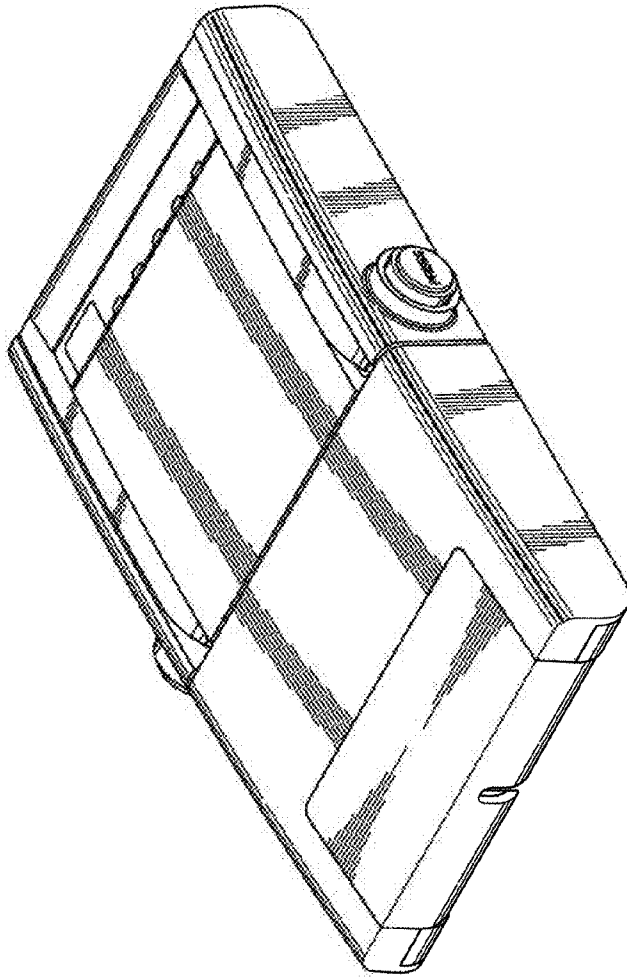


FIG. 1

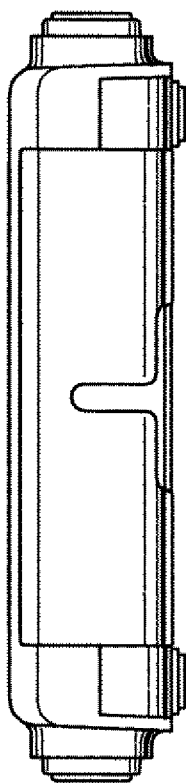


FIG. 2

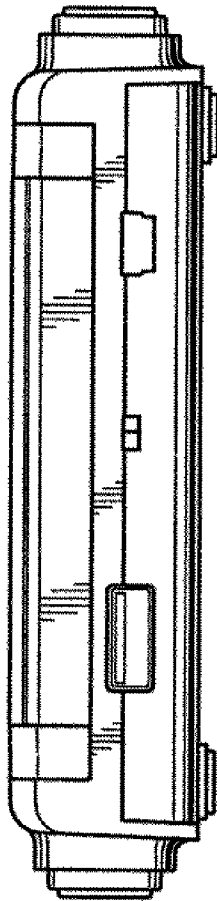


FIG. 3

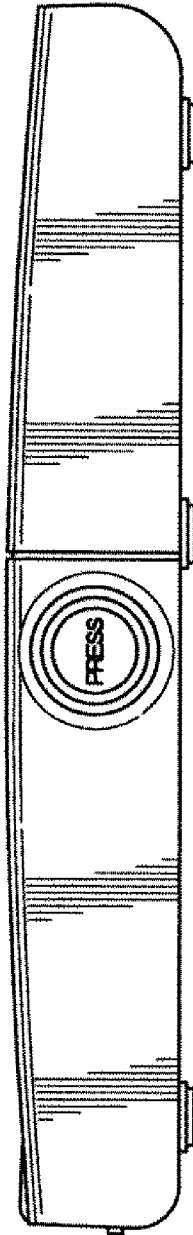


FIG. 4

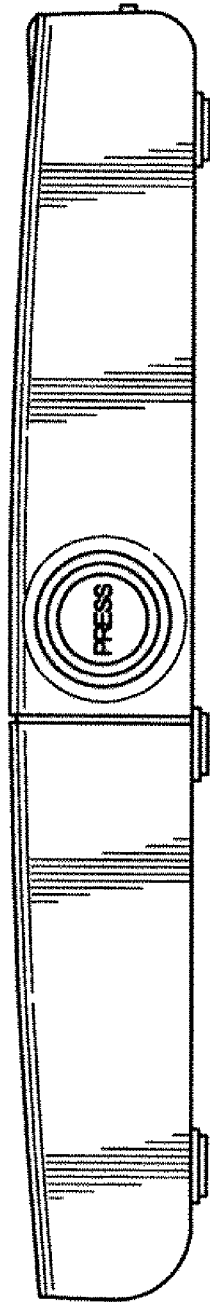


FIG. 5

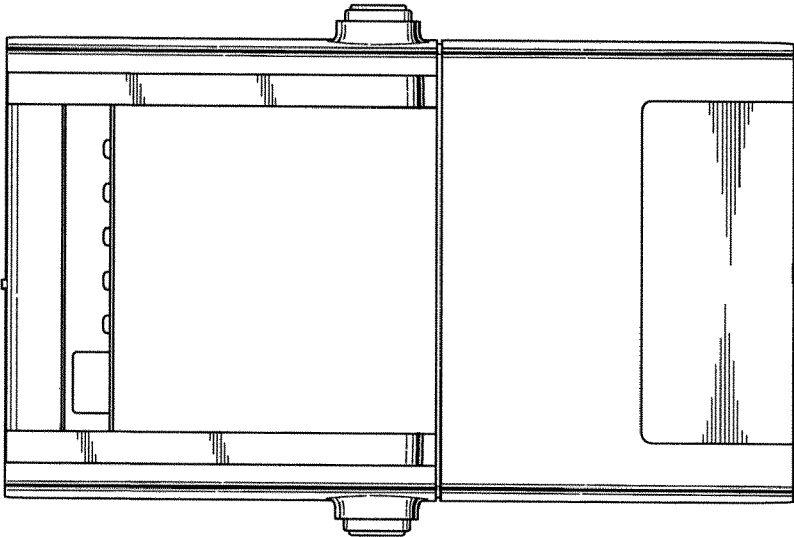


FIG. 6

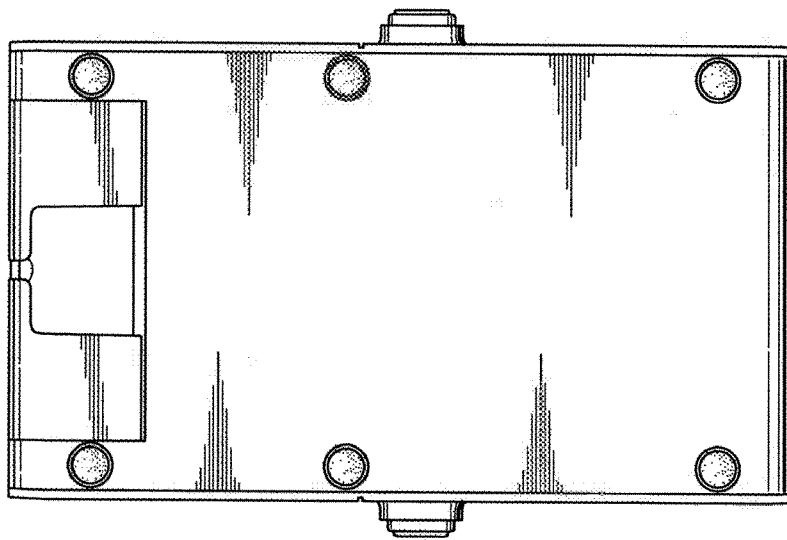


FIG. 7

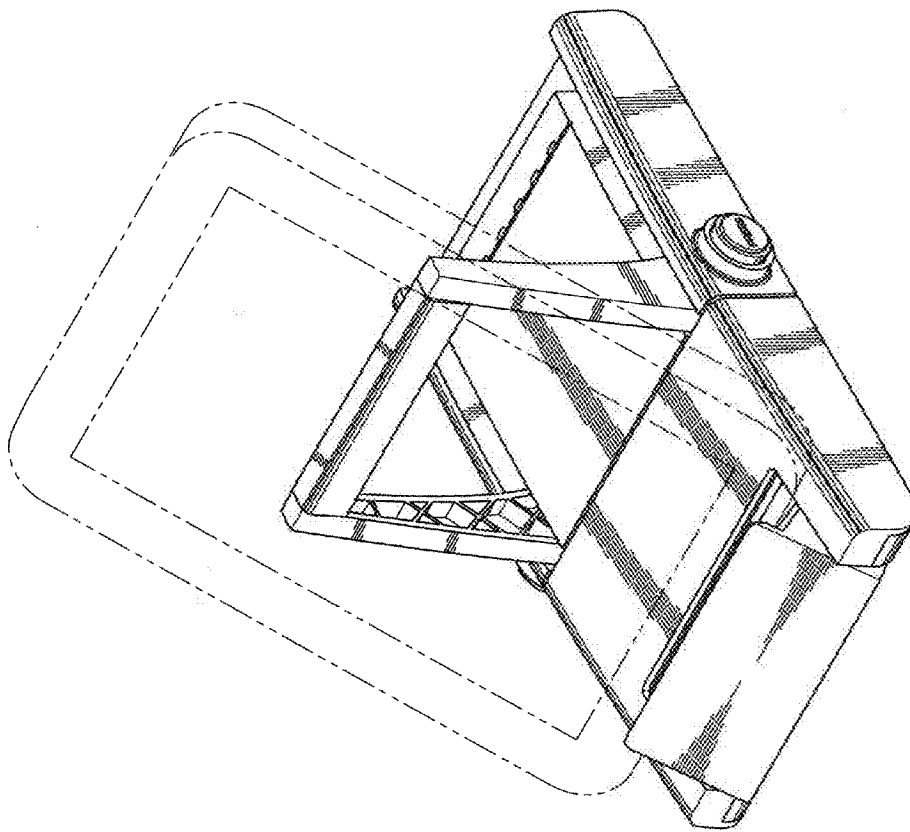


FIG. 8