



US00D858654S

(12) **United States Design Patent**
Millar et al.

(10) **Patent No.:** **US D858,654 S**

(45) **Date of Patent:** **** Sep. 3, 2019**

(54) **STRAIGHT TRACK**
(71) Applicant: **Grow Solutions Tech LLC**, Lehi, UT (US)
(72) Inventors: **Gary Bret Millar**, Highland, UT (US); **Mark Gerald Stott**, Eagle Mountain, UT (US); **Todd Garrett Tueller**, American Fork, UT (US); **Michael Stephen Hurst**, Farmington, UT (US); **Shane York**, Morgan, UT (US); **Taylor John Woodbury**, Provo, UT (US)

D393,164 S 4/1998 Russell et al.
D408,758 S 4/1999 Lussier
6,601,774 B1 * 8/2003 Kasimoff A63H 18/02
104/60
D640,333 S 6/2011 Beaugard et al.
D651,661 S * 1/2012 Yuen D21/565
D689,141 S 9/2013 Mimlitch, III et al.
D717,887 S 11/2014 Edwards
D726,835 S * 4/2015 Edwards D21/565
D741,418 S * 10/2015 Beaugard D21/565
2008/0265049 A1 * 10/2008 Stadlbauer A63H 18/02
238/10 F
2018/0256993 A1 * 9/2018 Fung A63H 18/08

* cited by examiner

(73) Assignee: **GROW SOLUTIONS TECH LLC**, Vineyard, UT (US)

Primary Examiner — Janice Hallmark

Assistant Examiner — Harold E Blackwell, II

(**) Term: **15 Years**

(74) *Attorney, Agent, or Firm* — Dinsmore & Shohl LLP

(21) Appl. No.: **29/637,794**

(57) **CLAIM**

(22) Filed: **Feb. 22, 2018**

The ornamental design for a straight track design, as shown and described.

(51) **LOC (12) Cl.** **21-01**

(52) **U.S. Cl.**
USPC **D21/565; D8/380**

DESCRIPTION

(58) **Field of Classification Search**
USPC D21/484, 490, 493, 509, 564, 565, 802, D21/818, 821; D8/380
CPC A63H 18/02; A63H 29/08
See application file for complete search history.

FIG. 1 is a top perspective view of a straight track showing our new design;
FIG. 2 is a bottom perspective view of thereof;
FIG. 3 is a top view thereof;
FIG. 4 is a bottom view thereof;
FIG. 5 is a front view of thereof;
FIG. 6 is a rear view thereof;
FIG. 7 is a left side view thereof; and,
FIG. 8 is a right side view thereof.

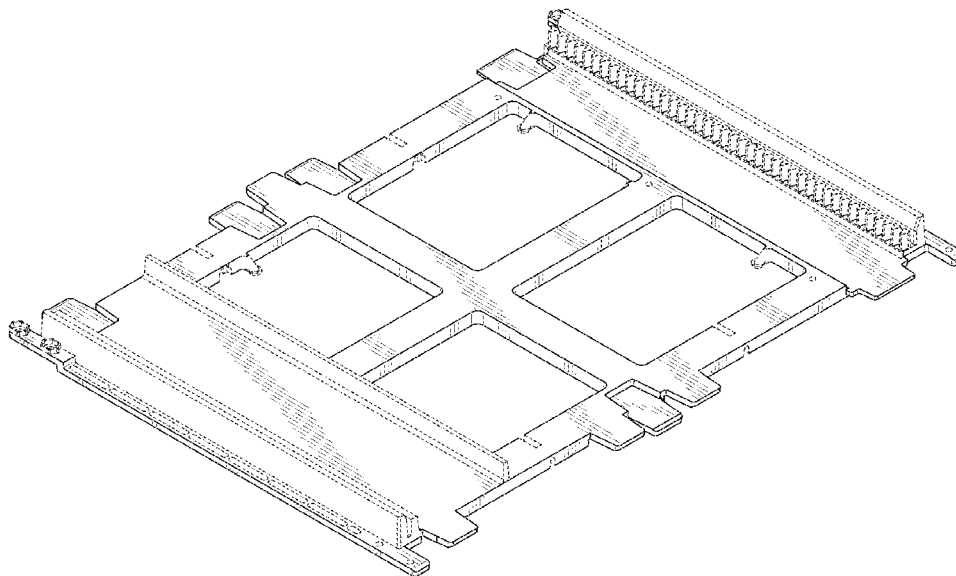
(56) **References Cited**

U.S. PATENT DOCUMENTS

3,734,404 A * 5/1973 Baynes A63H 18/02
238/10 E
4,081,133 A * 3/1978 Tong A63H 18/02
104/DIG. 1
D388,138 S * 12/1997 Lanoix D21/565

The broken line representations in the figures show unclaimed environment, and thus form no part of the claimed design.

1 Claim, 6 Drawing Sheets



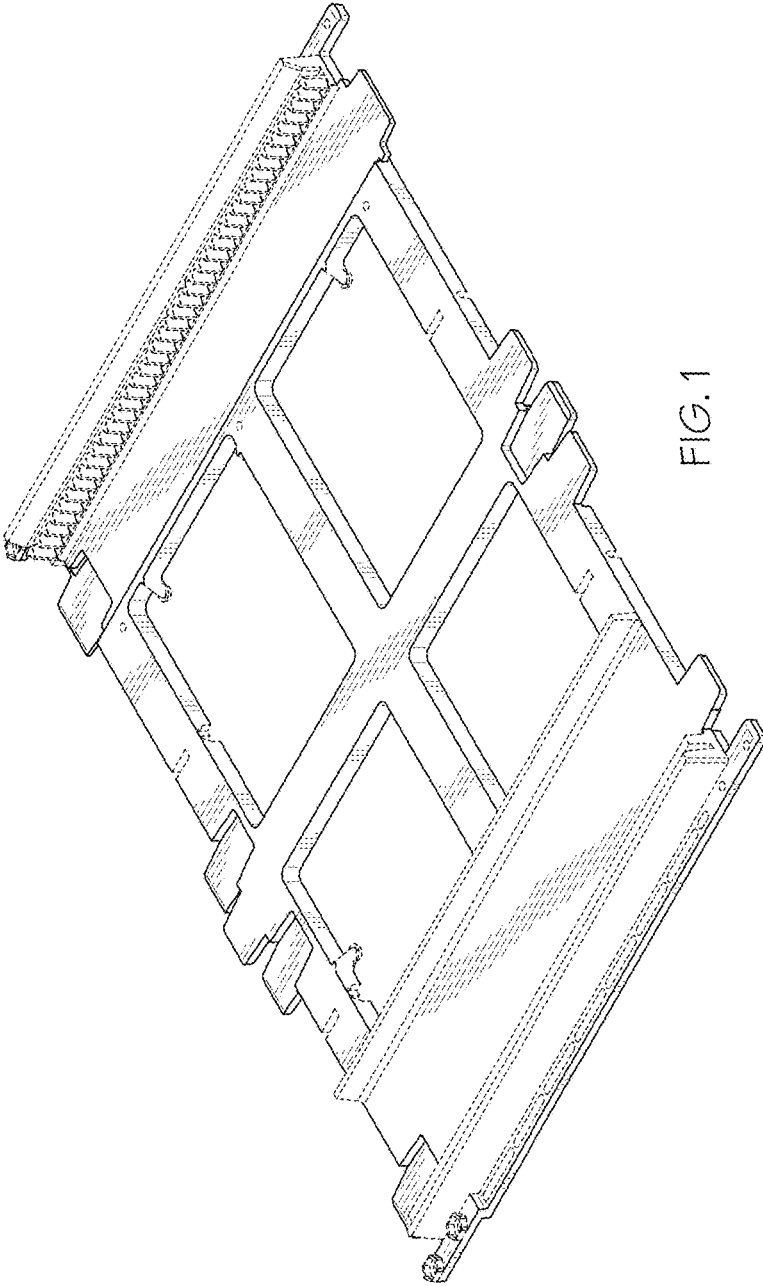


FIG. 1

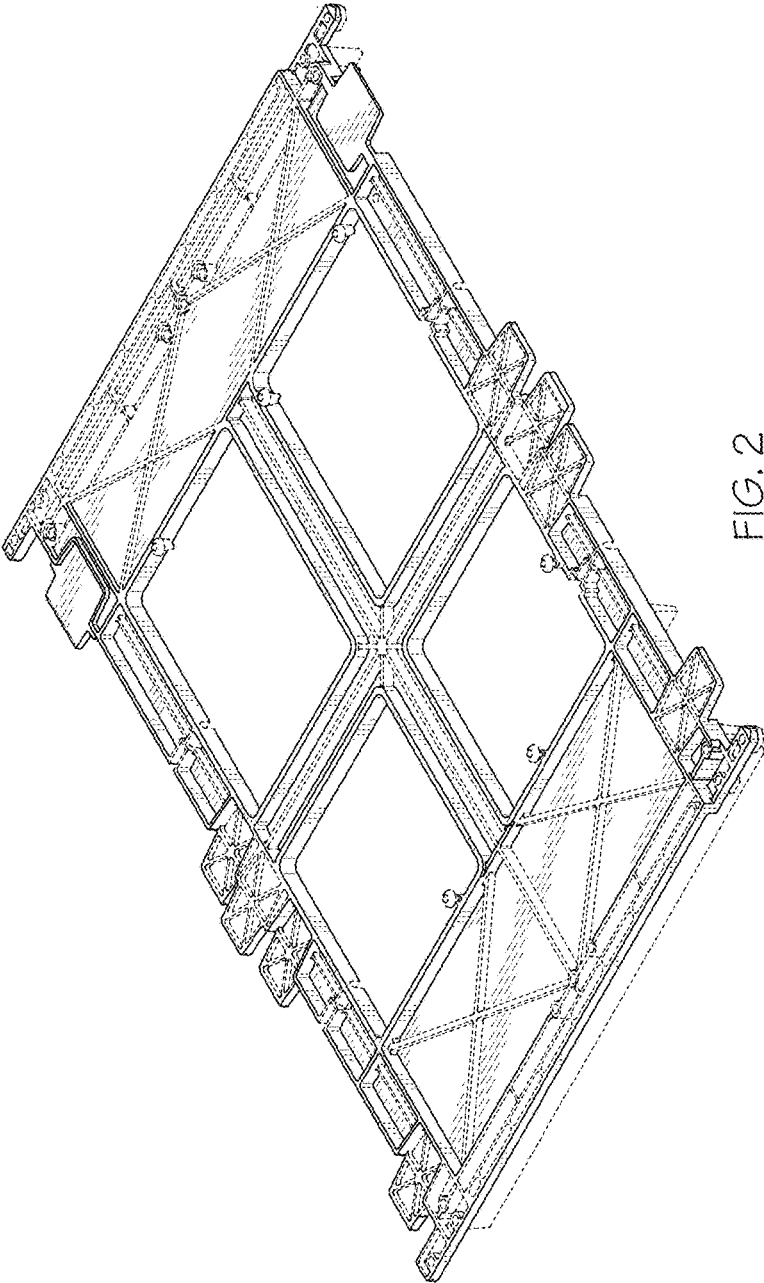


FIG. 2

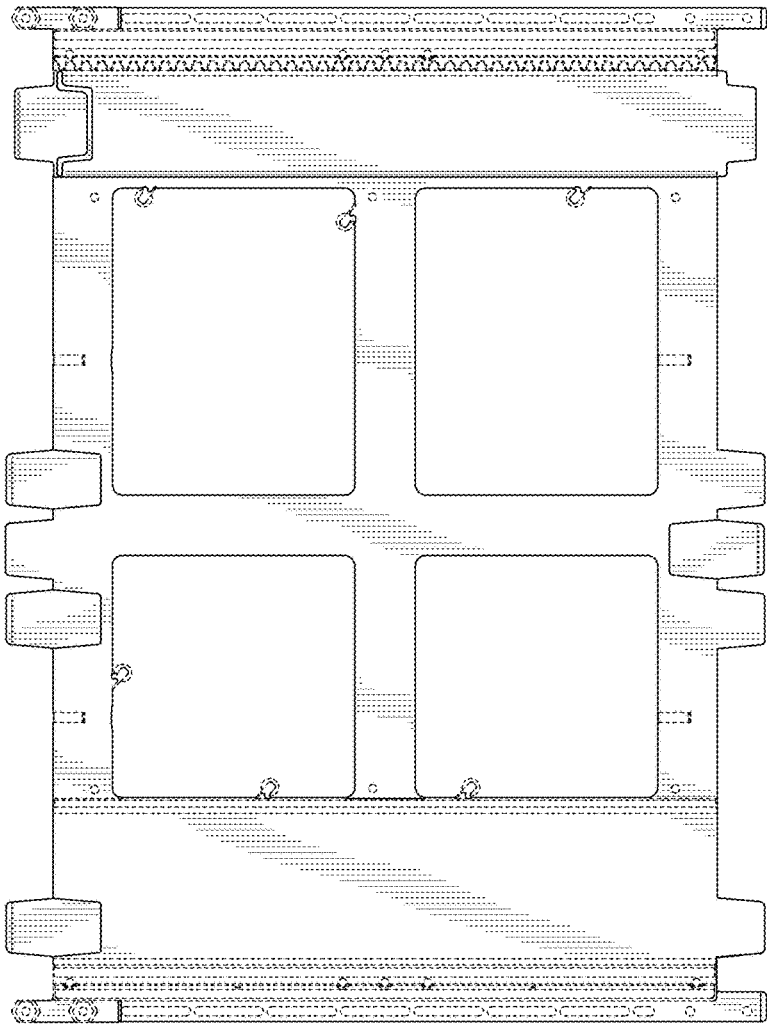


FIG. 3

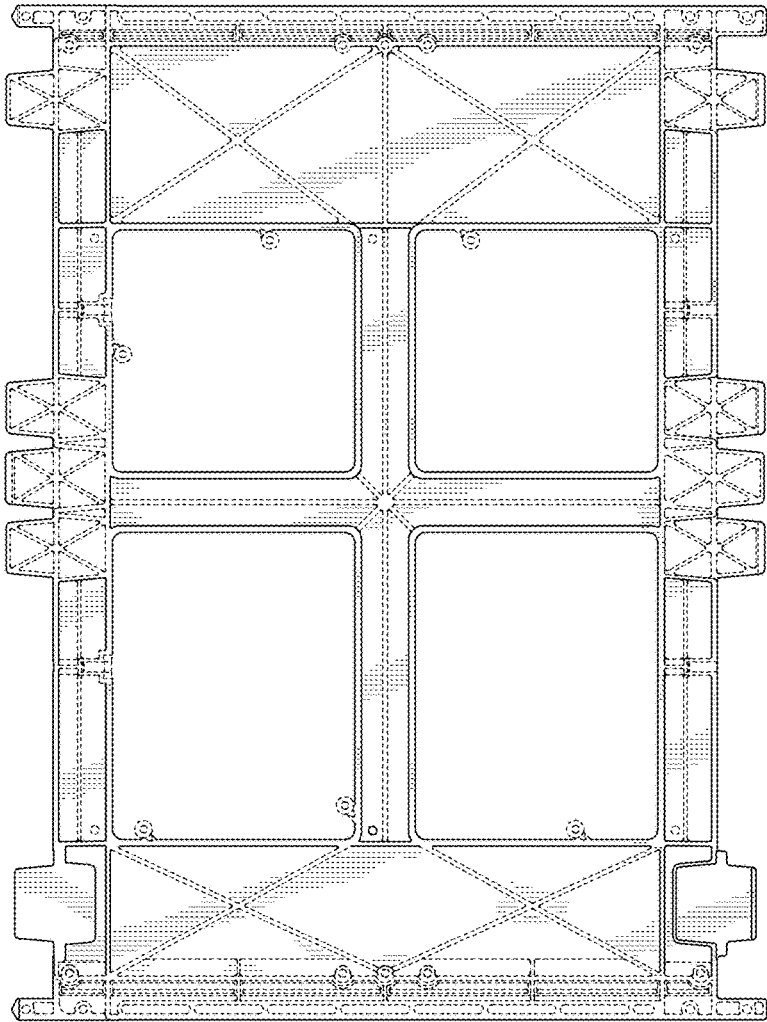


FIG. 4

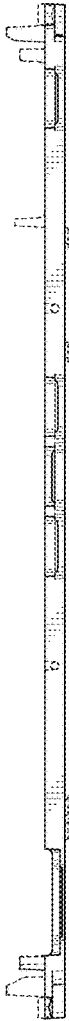


FIG. 5

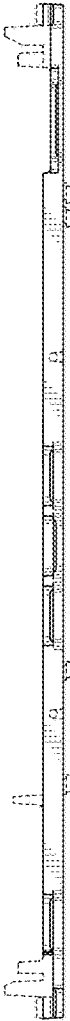


FIG. 6

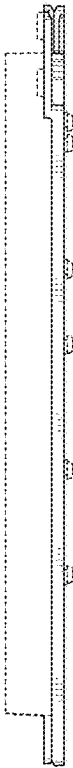


FIG. 7

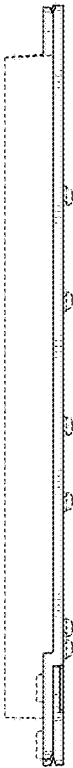


FIG. 8