



(12) **United States Design Patent**
Bowers

(10) **Patent No.:** **US D773,009 S**
(45) **Date of Patent:** **** Nov. 29, 2016**

(54) **CASE FOR AN AMMUNITION CARTRIDGE**

(71) Applicant: **William R. Bowers**, Dallas, GA (US)

(72) Inventor: **William R. Bowers**, Dallas, GA (US)

(**) Term: **14 Years**

(21) Appl. No.: **29/516,665**

(22) Filed: **Feb. 4, 2015**

(51) **LOC (10) Cl.** **22-03**

(52) **U.S. Cl.**
USPC **D22/116**

(58) **Field of Classification Search**
USPC D22/115-116
CPC F42B 30/02; F42B 5/02; F42B 5/26;
F42B 12/34; F42B 8/04; F42B 10/22; F42B
8/14; F41A 9/83; F41A 9/82; F41A 9/01;
F41A 9/09; F41A 9/86
See application file for complete search history.

(56) **References Cited**

U.S. PATENT DOCUMENTS

3,614,816 A	10/1971	Weyhmuller et al.	
4,041,868 A	8/1977	Rayle et al.	
4,352,225 A	10/1982	Schreiber	
4,675,958 A	6/1987	Rosebaum et al.	
4,682,545 A *	7/1987	Jett, Jr.	F42B 5/36 102/430
4,732,073 A *	3/1988	Semon	F42B 33/04 15/104.2
5,221,806 A	6/1993	Chaney et al.	
5,435,223 A *	7/1995	Blodgett	F42B 33/04 86/38
5,979,331 A	11/1999	Casull	
6,050,169 A	4/2000	Voros	
6,293,203 B1 *	9/2001	Alexander	F42B 5/025 102/430
6,532,876 B1	3/2003	Ramirez et al.	
7,011,028 B1	3/2006	Emary	
7,086,336 B2 *	8/2006	Smalley, Jr.	F41A 21/12 102/430
7,311,046 B2	12/2007	Riess et al.	
7,380,502 B2	6/2008	Emary	
7,458,322 B2	12/2008	Reynolds et al.	

7,607,394 B2	10/2009	Cesaroni	
D646,179 S *	10/2011	Jansen	D22/116
D647,160 S *	10/2011	Johansson	D22/115
8,176,850 B2	5/2012	Thompson et al.	
D664,042 S *	7/2012	Kurpis	D22/116
8,381,655 B2	2/2013	Swingley	
8,413,587 B2	4/2013	Emary	
8,443,729 B2	5/2013	Mittelstaedt	

(Continued)

OTHER PUBLICATIONS

<http://www.perfectunion.com/vb/thompson-center/95428-22-tcm.html>[May 24, 2016 6:22:42 AM].*

(Continued)

Primary Examiner — Michael A Pratt
(74) *Attorney, Agent, or Firm* — Law Office of Arthur M. Antonelli, PLLC

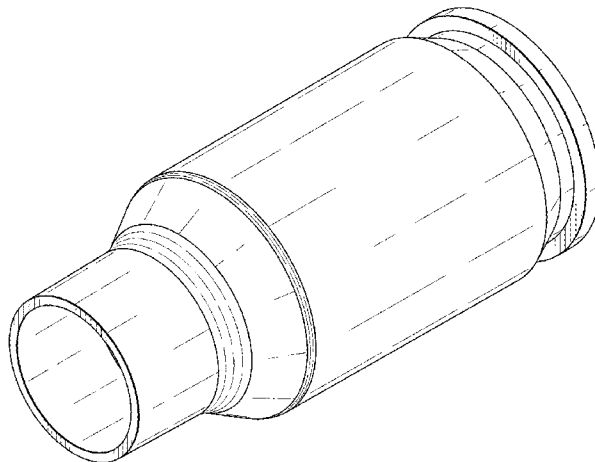
(57) **CLAIM**

The ornamental design for a case for an ammunition cartridge, as shown and described.

DESCRIPTION

FIG. 1 is a top, front, right side perspective view of a case for an ammunition cartridge in accordance with my new design;
FIG. 2 is top, rear, left side perspective view thereof;
FIG. 3 is a front view thereof;
FIG. 4 is a rear view thereof;
FIG. 5 is a left side view thereof;
FIG. 6 is a right side view thereof;
FIG. 7 is a top view thereof;
FIG. 8 is a bottom view thereof;
FIG. 9 is a front, center-left side perspective view thereof; and,
FIG. 10 is a cross-sectional view of the case for an ammunition cartridge of FIG. 1., along line 10-10 of FIG. 3.
All portions shown in broken lines are environmental and illustrative only and form no part of the claimed design.

1 Claim, 4 Drawing Sheets



(56)

References Cited

U.S. PATENT DOCUMENTS

8,448,575 B2 5/2013 Goddard
D707,785 S * 6/2014 Seecamp D22/116
8,813,650 B2 8/2014 Maljkovic et al.
D753,259 S * 4/2016 Masinelli D22/116
D755,916 S * 5/2016 O'Sullivan D22/115
2006/0248773 A1 * 11/2006 Kightlinger F42B 5/025
42/77
2015/0330731 A1 * 11/2015 Kolev F41A 3/12
42/25

OTHER PUBLICATIONS

<http://www.perfectunion.com/...attachments/thompson-center/24138d1370735274-22-tcm-22-tcm-shot-15-inch-mgm-barrel.jpg>[May 24, 2016 6:21:16 AM].*
<http://www.iaaforum.org/forum3/viewtopic.php?f=8&t=11785>[May 24, 2016 6:30:39 AM].*

[http://forums.handloads.com/forum_J\)05ts.asp?TID=32097](http://forums.handloads.com/forum_J)05ts.asp?TID=32097) Jan. 2010.*
"Introducing the 22 TCM 9R Cartridge and TCM Conversion for Glock Pistols," Armscor.com, 2015, pp. 2, [retrieved on Mar. 18, 2015] Retrieved from the Internet.
"Hornady 2015 Product Catalog," 2015, pp. 104, Hornady PO Box 1848, Grand Island, NE 68802-1848.
"Nosler, Up Front, 2015 Catalog," 2015, pp. 115, Nosler 107 S.W. Columbia St. Bend, OR 97702.
"Clymer Precision Tools, Product Catalog," undated, pp. 36, Clymer Precision Tools 1605 West Hamlin Rd., Rochester Hills, MI 48309.
"Cartridge Comparison Guide," 2014, pp. 4, www.Cartridge Comparison Guide.com.
ANSI/SAAMI Z299.3-1993, pp. 2, Sporting Arms & Ammunition Manufacturer's Institute Inc. 11 Mile Hill Road, Newtown, CT 06470.
ANSI/SAAMI Z299.4-1992, pp. 1, Sporting Arms & Ammunition Manufacturer's Institute Inc. 11 Mile Hill Road, Newtown, CT 06470.

* cited by examiner

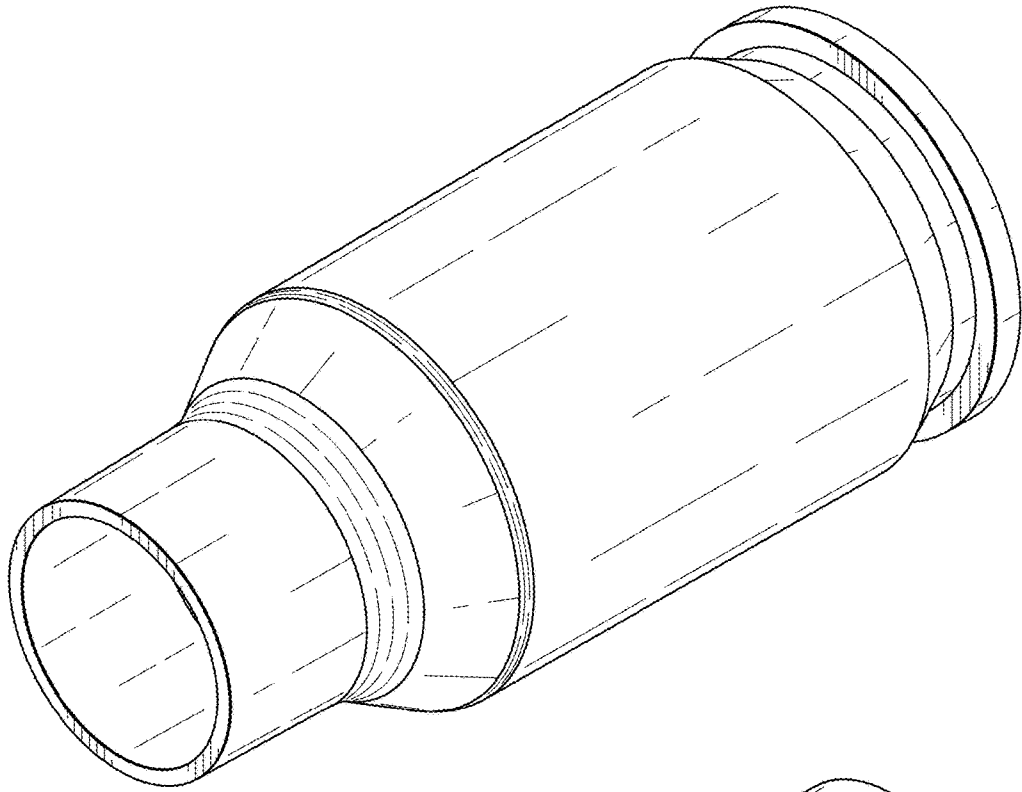


FIG. 1

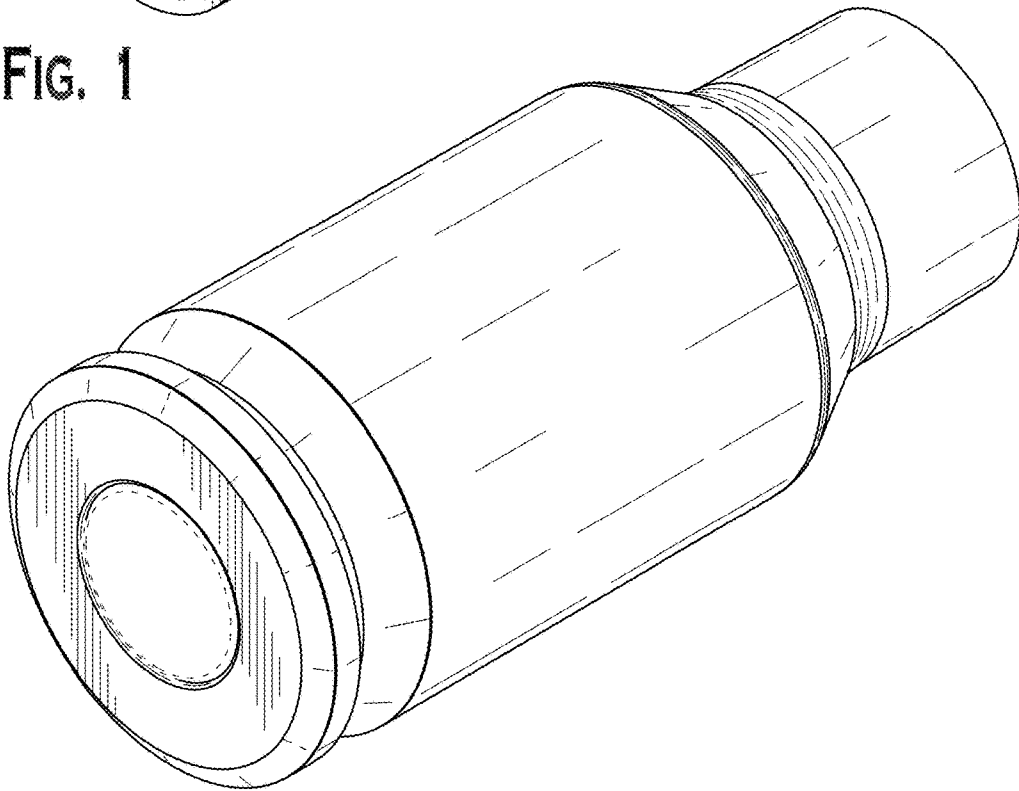


FIG. 2

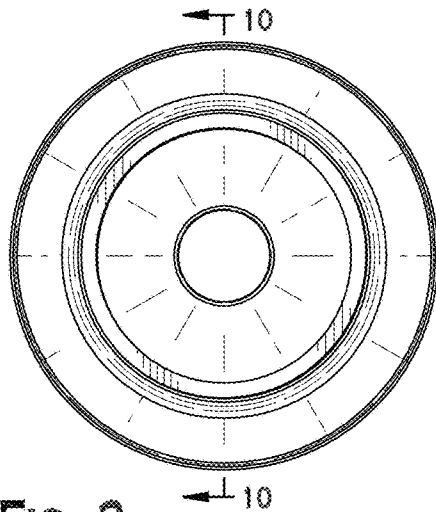


FIG. 3

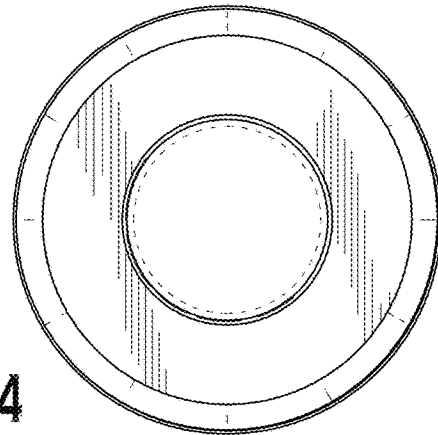


FIG. 4

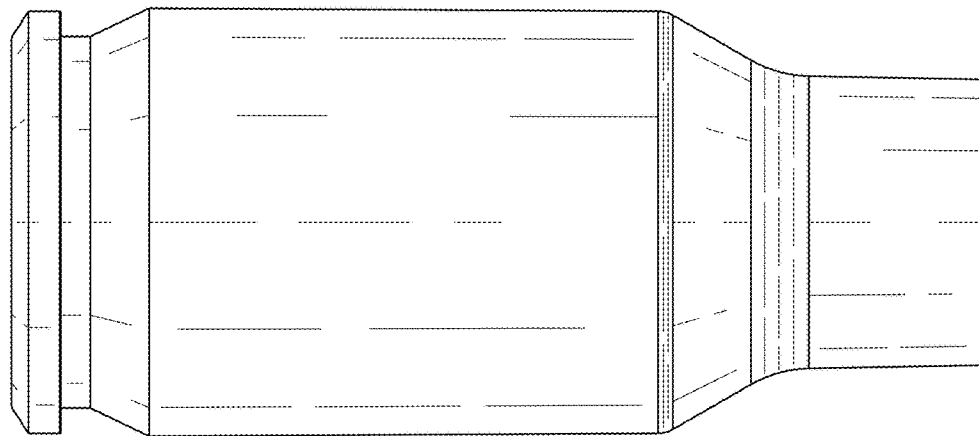


FIG. 5

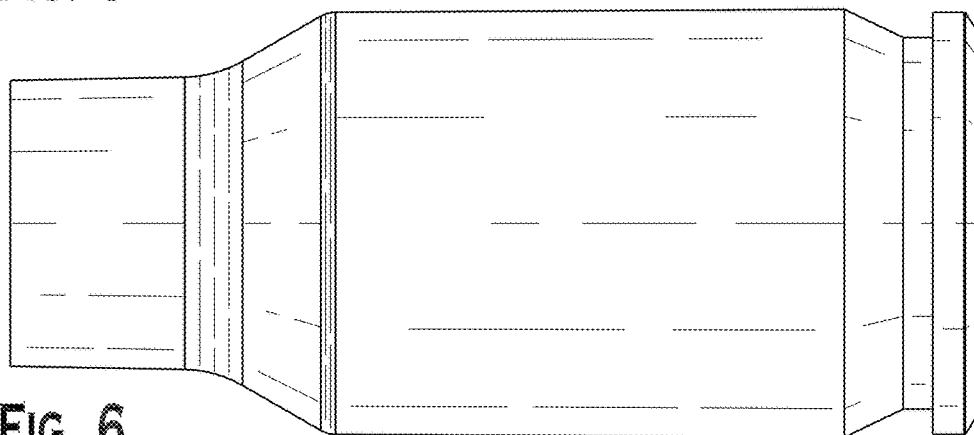


FIG. 6

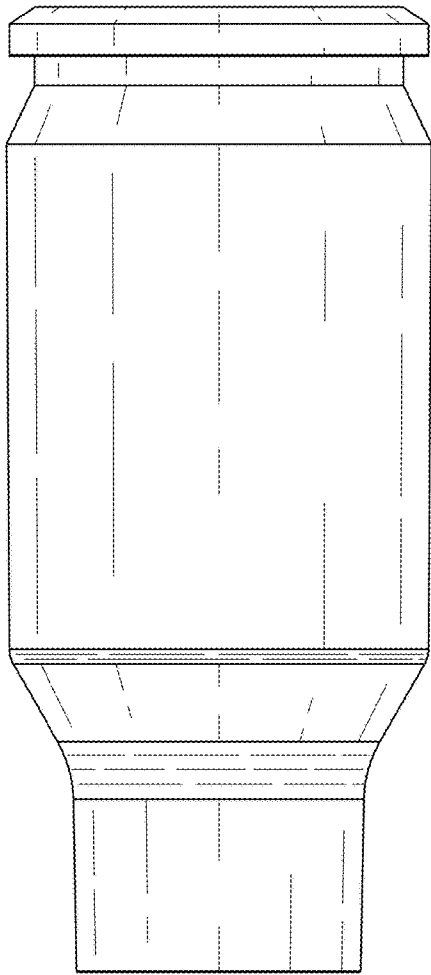


FIG. 7

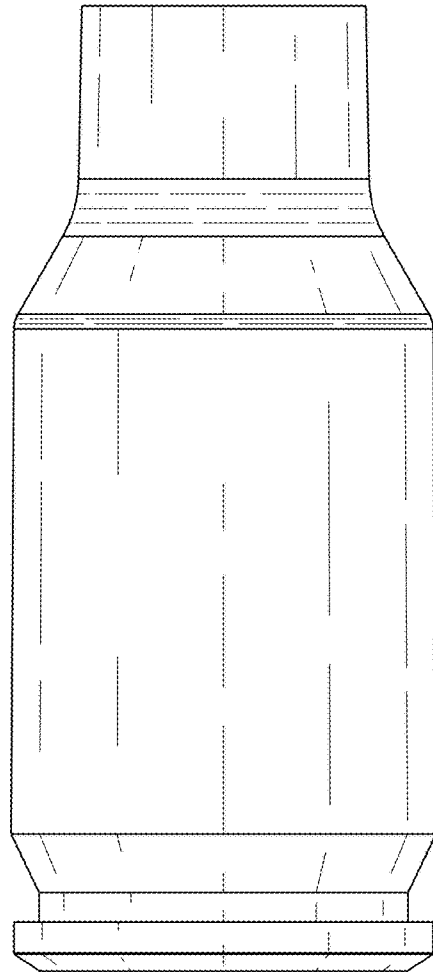


FIG. 8

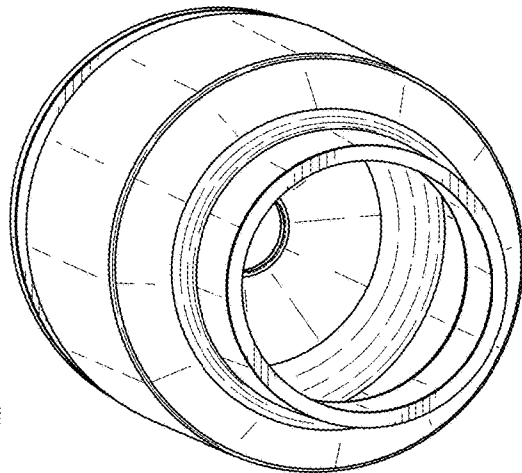


FIG. 9

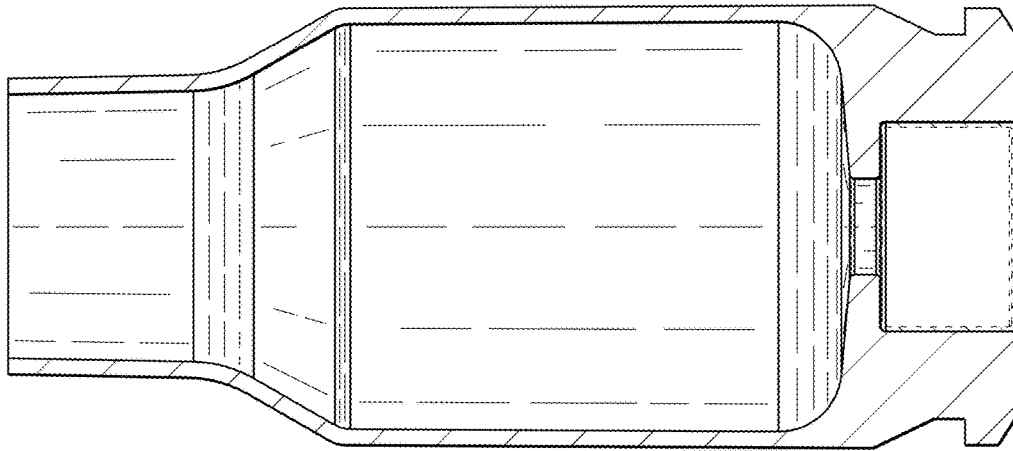


FIG. 10