



US0D1021869S

(12) **United States Design Patent**  
**Guo**

(10) **Patent No.:** **US D1,021,869 S**

(45) **Date of Patent:** **\*\* Apr. 9, 2024**

(54) **EARPHONE**

(71) Applicant: **Xiaoqiang Guo, Ji'an (CN)**

(72) Inventor: **Xiaoqiang Guo, Ji'an (CN)**

(73) Assignee: **Xiaoqiang Guo, Ji'an (CN)**

(\*\*) Term: **15 Years**

(21) Appl. No.: **29/919,412**

(22) Filed: **Dec. 4, 2023**

(30) **Foreign Application Priority Data**

Nov. 16, 2023 (CN) ..... 202330751340.8

(51) **LOC (14) Cl.** ..... **14-01**

(52) **U.S. Cl.** ..... **D14/223**

USPC ..... **D14/223**

(58) **Field of Classification Search**

USPC ..... D14/205, 206, 207, 217, 221, 223, 225;  
D24/106, 173, 174

CPC . H04R 1/08; H04R 1/10; H04R 1/105; H04R  
1/1016; H04R 1/1033; H04R 1/1066;

H04R 5/033; H04R 5/0335; H04R 25/00

See application file for complete search history.

(56) **References Cited**

**U.S. PATENT DOCUMENTS**

D893,462 S *	8/2020	Liu	.....	D14/223
D914,652 S *	3/2021	Chen	.....	D14/223
D923,609 S *	6/2021	Li	.....	D14/223
D926,733 S *	8/2021	Wu	.....	D14/223
D930,623 S *	9/2021	Liu	.....	
D932,468 S *	10/2021	Xin	.....	D14/223
D936,037 S *	11/2021	Zhou	.....	D14/206
D940,692 S *	1/2022	Quan	.....	D14/223
D944,232 S *	2/2022	Yi	.....	D14/223
D946,555 S *	3/2022	Chen	.....	D14/223
D950,525 S *	5/2022	Chen	.....	D14/223
D967,070 S *	10/2022	He	.....	D14/223

D977,462 S *	2/2023	Yi	.....	D14/223
D989,748 S *	6/2023	Wu	.....	D14/223
D1,007,477 S *	12/2023	Tan	.....	D14/223

**FOREIGN PATENT DOCUMENTS**

CN	305965145	*	8/2020	
CN	306441584	*	4/2021	
CN	307486340	*	8/2022	

**OTHER PUBLICATIONS**

“LG Tone Free FN7—Active Noise Cancelling True Wireless Bluetooth Earbuds” Nov. 2, 2020, Amazon, site visited Jan. 18, 2024: <https://www.amazon.com/LG-Tone-Free-Cancellation-Microphones/dp/B08NTPBH8R> (Year: 2020).\*

(Continued)

*Primary Examiner* — Jack Reickel

*Assistant Examiner* — Russell Carnell Smith, Jr.

(74) *Attorney, Agent, or Firm* — Nitin Kaushik

(57)

**CLAIM**

The ornamental design for an earphone, as shown and described.

**DESCRIPTION**

FIG. 1 is a front perspective view of an earphone, showing my new design;

FIG. 2 is a rear perspective view thereof;

FIG. 3 is a front view thereof;

FIG. 4 is a rear view thereof;

FIG. 5 is a left side view thereof;

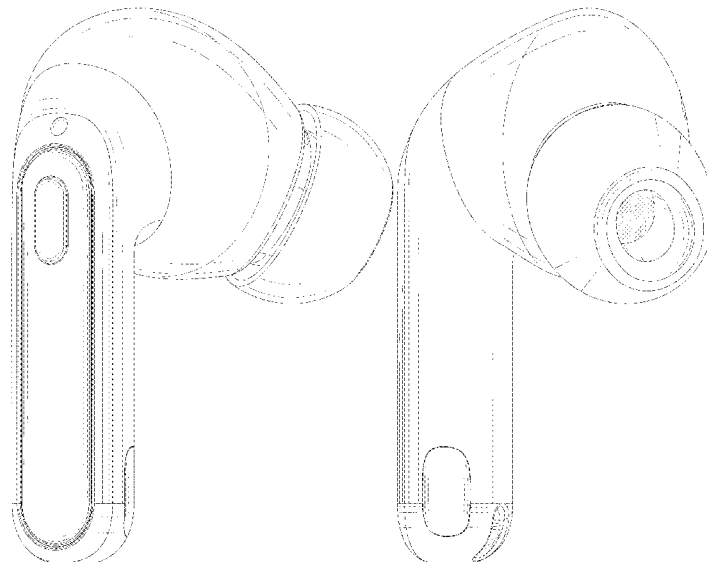
FIG. 6 is a right side view thereof;

FIG. 7 is a top view thereof; and,

FIG. 8 is a bottom view thereof;

The broken lines in the drawings illustrate the portions of the earphone, which form no part of the claimed design.

**1 Claim, 8 Drawing Sheets**



(56)

**References Cited**

OTHER PUBLICATIONS

“Tecno Wireless Bluetooth Earbuds with Microphone Deep Base HiFi Sterero Bluetooth Earbuds” Apr. 1, 2022, Amazon, site visited Jan. 18, 2024: <https://www.amazon.com/-/he/TECNO-Sonic-1/dp/B09Z2FPCJK> (Year: 2022).\*

“Foycoy Wireless Earbuds Ear Buds 68H Playtime Bluetooth 5.3 Headphones with LED Power Display” Nov. 17, 2023, Amazon, site visited Jan. 18, 2024: <https://www.amazon.com/dp/B0CJTSHNZP> (Year: 2023).\*

\* cited by examiner

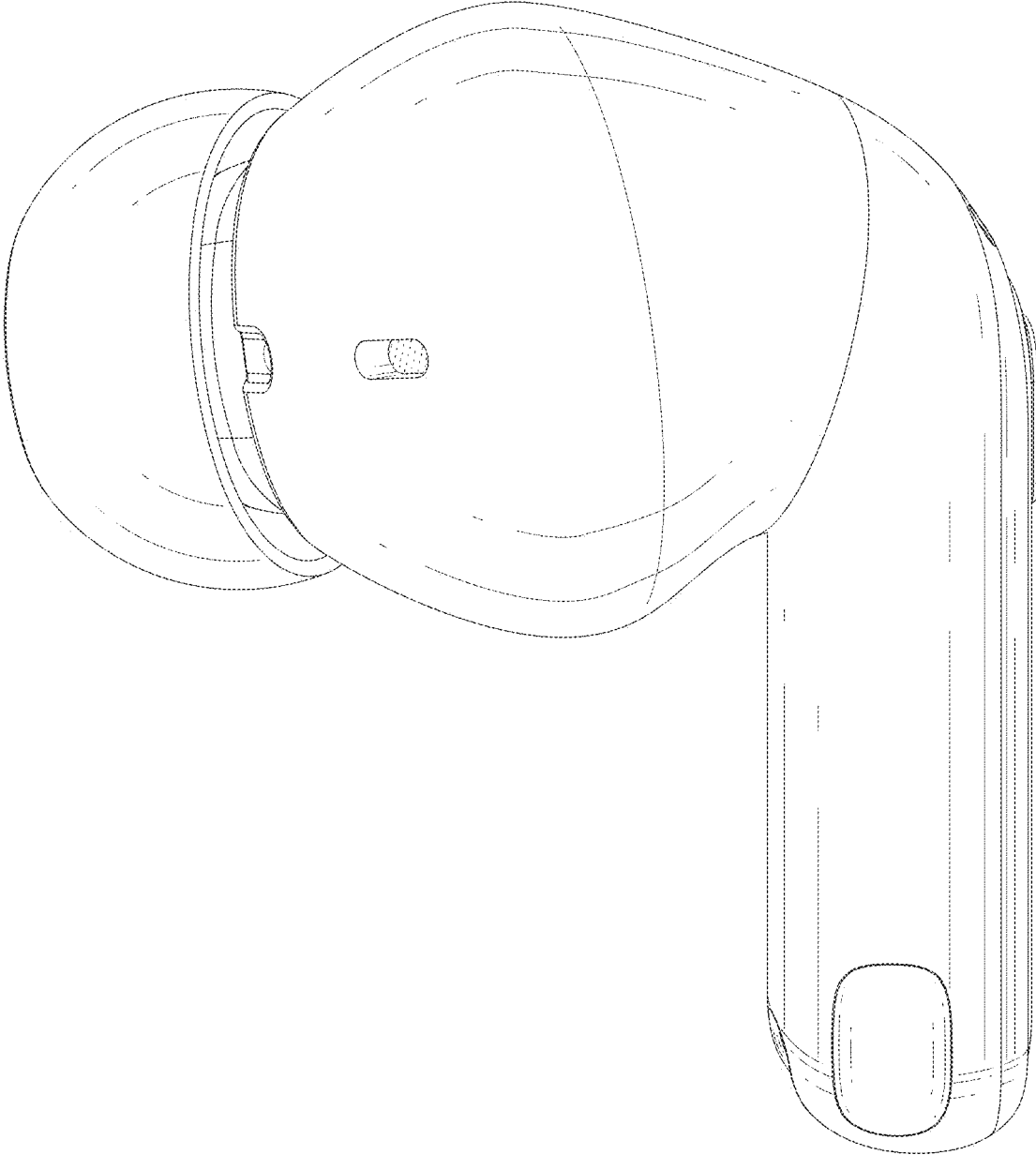


FIG. 1

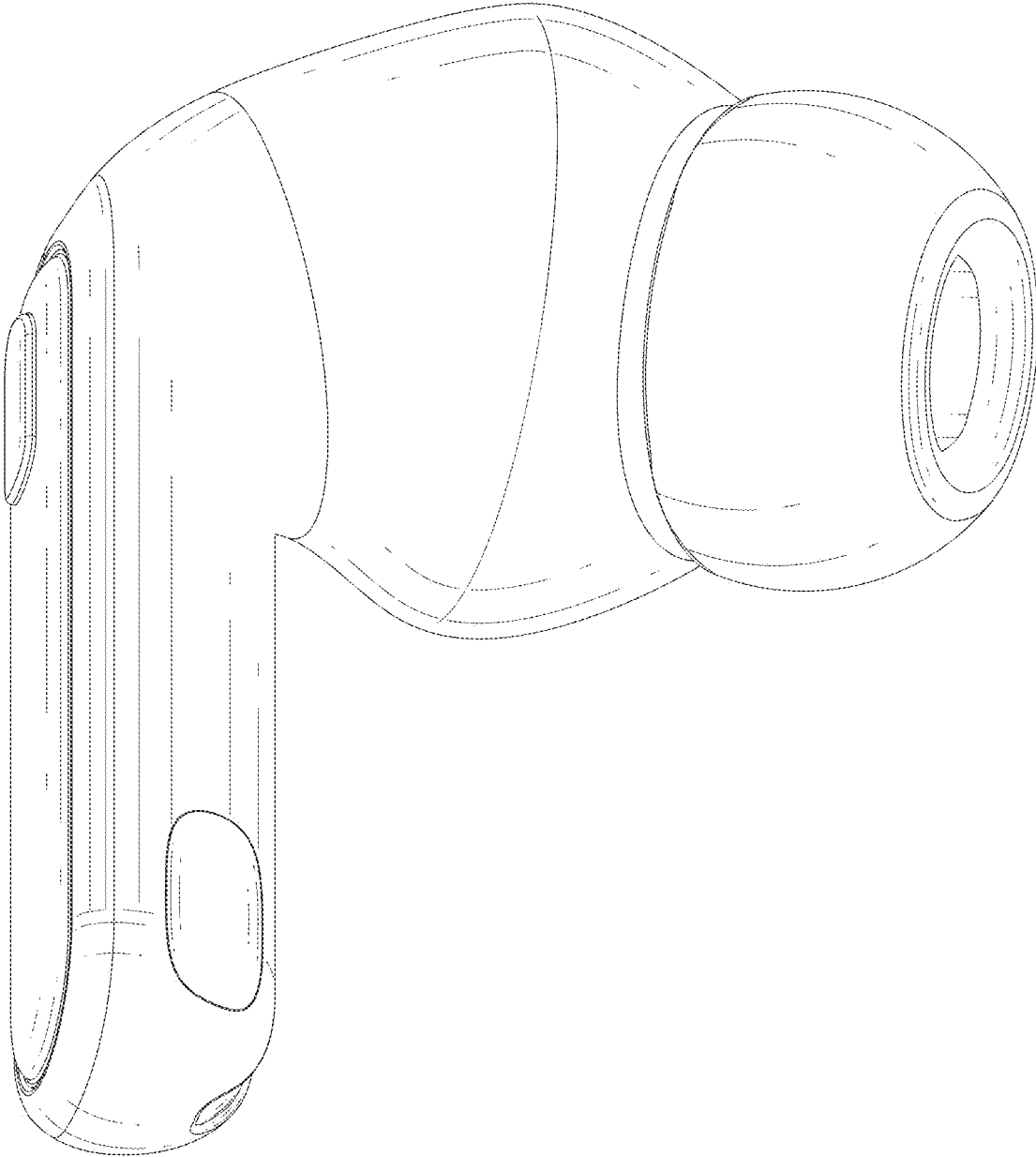


FIG. 2

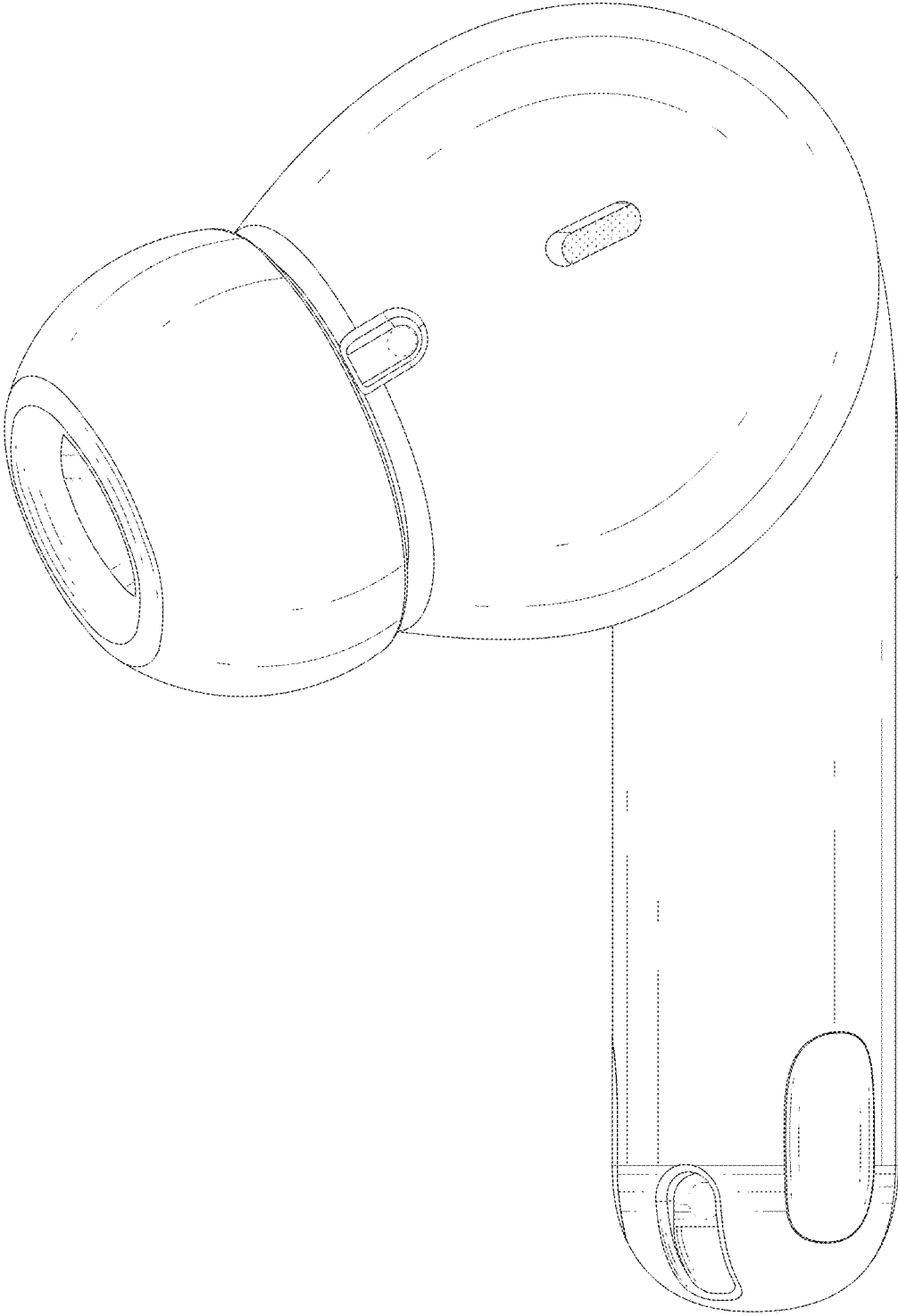


FIG. 3

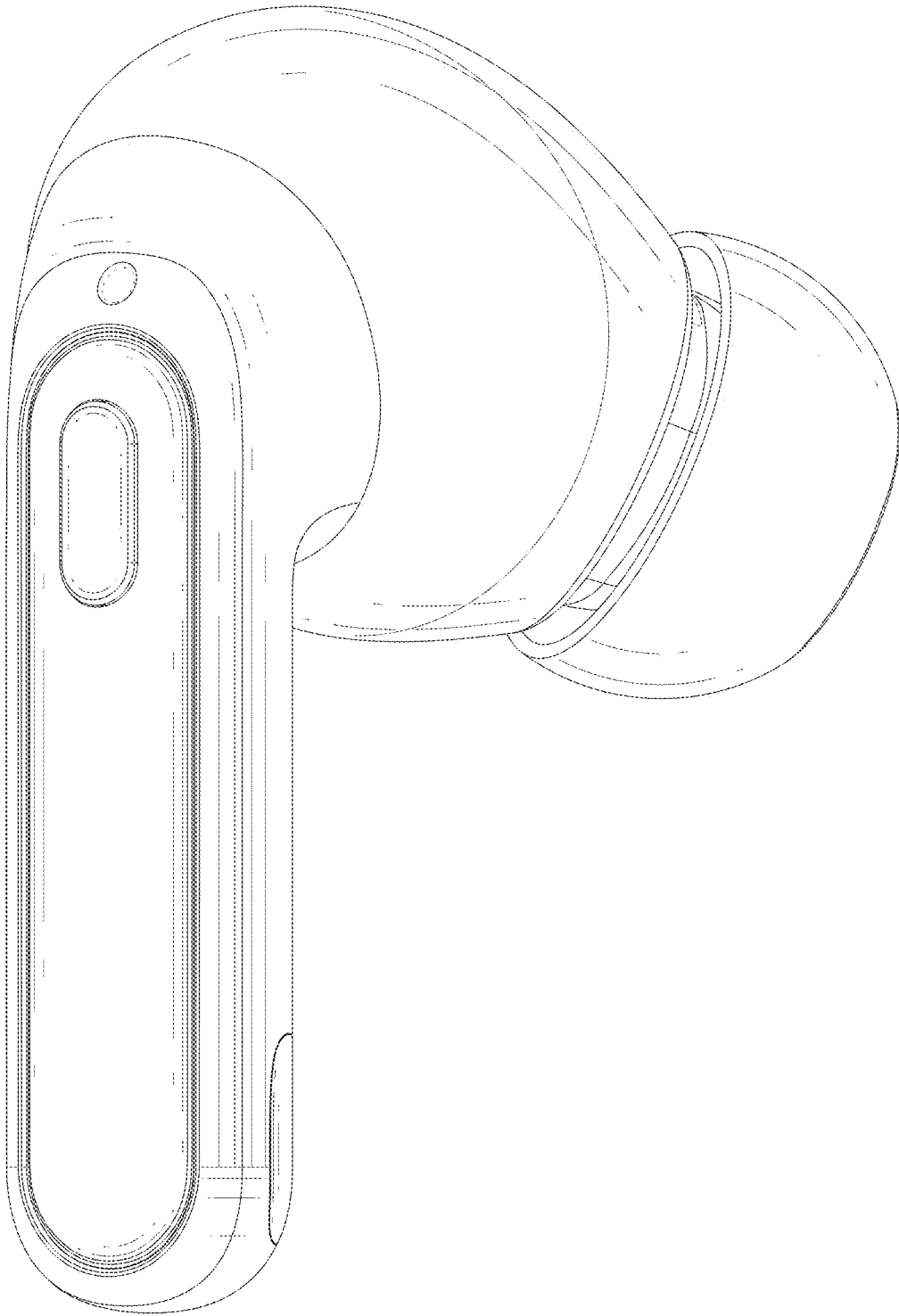


FIG. 4

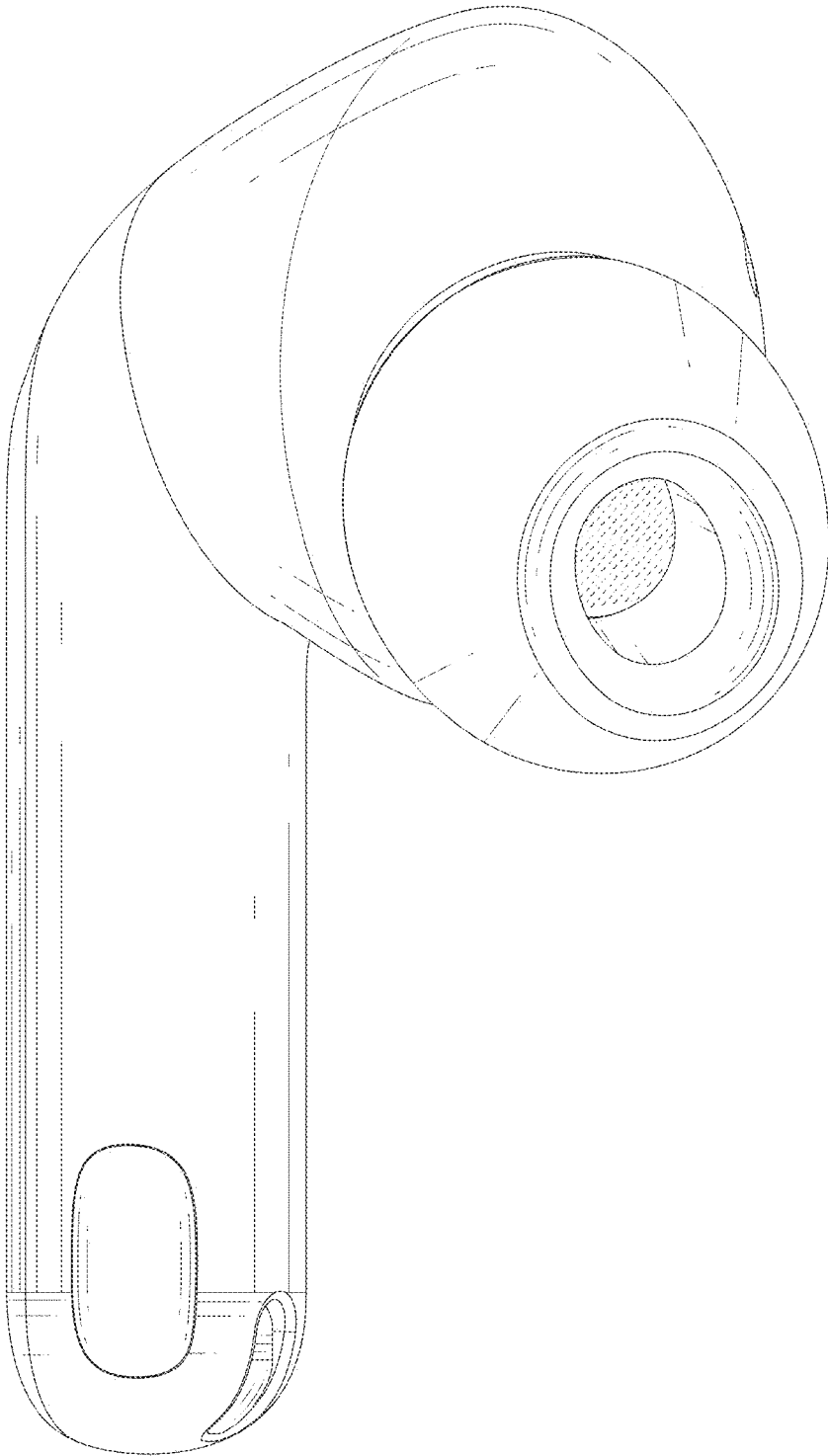


FIG. 5

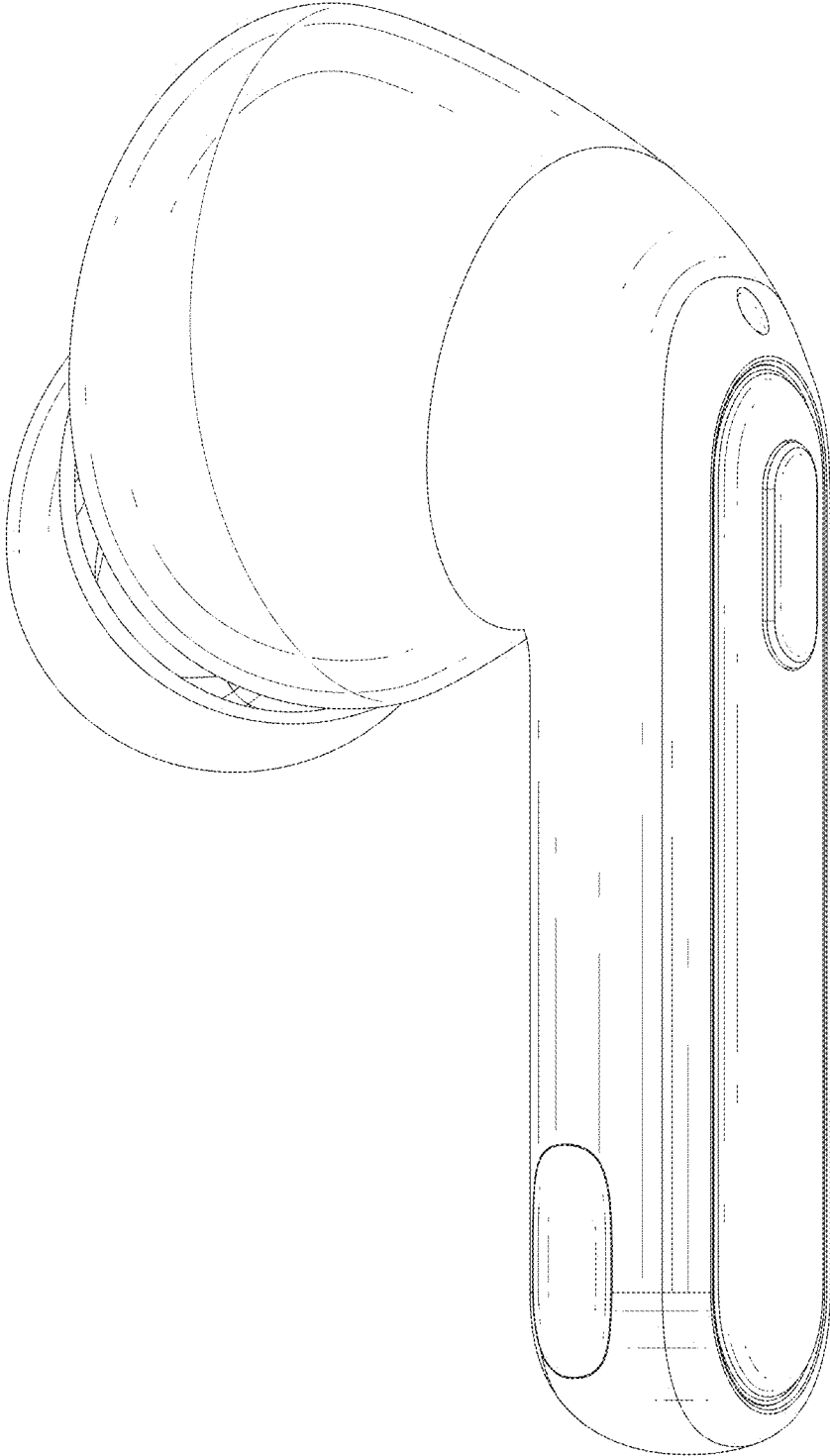


FIG. 6



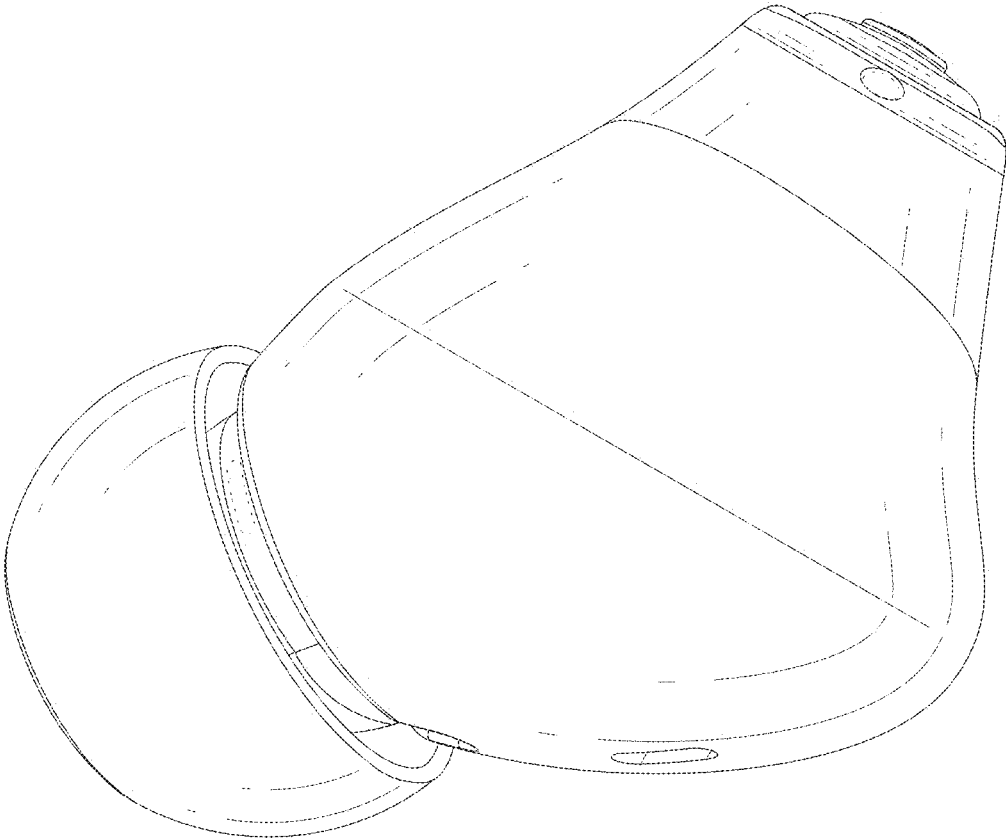


FIG. 7

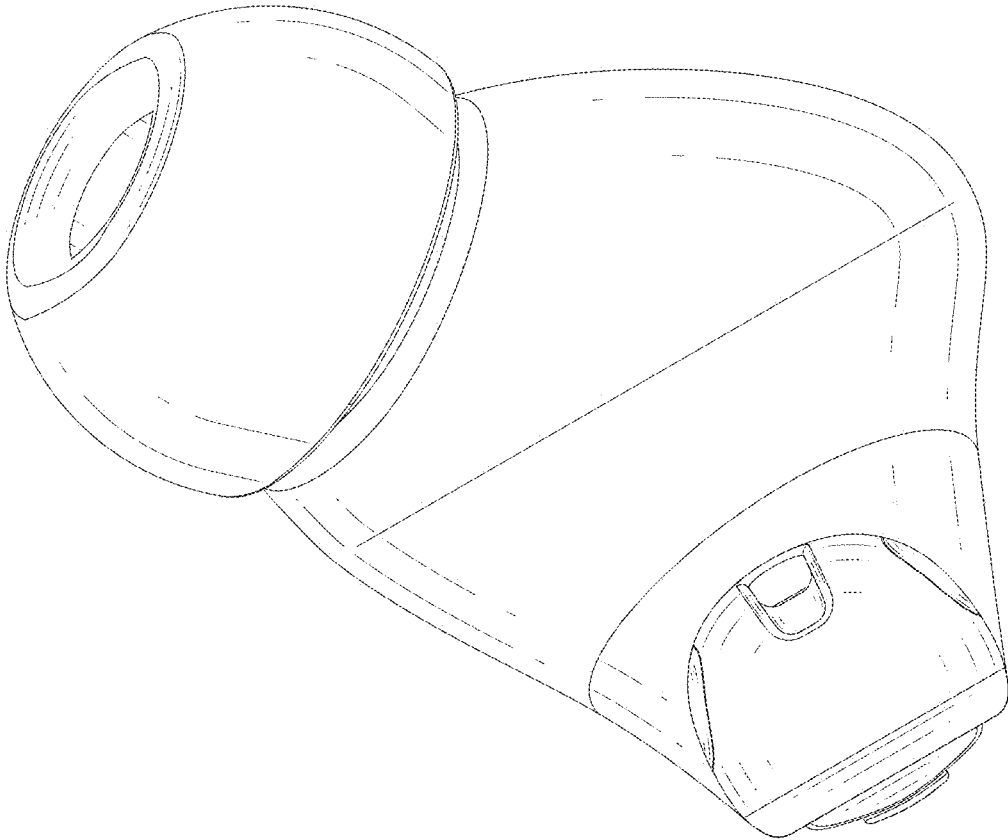


FIG. 8