



US00D931826S

(12) **United States Design Patent**  
**Huang**

(10) **Patent No.:** **US D931,826 S**

(45) **Date of Patent:** **\*\* Sep. 28, 2021**

(54) **SOUND AMPLIFIER**

(71) Applicant: **SHANGHAI NORWII TECHNOLOGY CO., LTD.**, Shanghai (CN)

(72) Inventor: **Yongyan Huang**, Shanghai (CN)

(73) Assignee: **SHANGHAI NORWII TECHNOLOGY CO., LTD.**, Shanghai (CN)

(\*\*) Term: **15 Years**

(21) Appl. No.: **29/690,712**

(22) Filed: **May 9, 2019**

(51) **LOC (13) Cl.** ..... **14-03**

(52) **U.S. Cl.**

USPC ..... **D14/192**; D14/194; D14/197; D14/214

(58) **Field of Classification Search**

USPC ..... D14/167, 168, 170–172, 188, 194–196, D14/204, 209.1, 210–216, 219, 221, 222, D14/224, 239, 496, 191, 192, 197, 206, D14/225, 226

CPC ..... B60R 11/0217; G06F 1/1688; G10K 9/22; G10K 11/004; H03F 1/327; H04M 1/03; H04M 1/035; H04N 5/642; H04N 21/4852; H04R 1/02; H04R 1/06; H04R 1/021; H04R 1/025; H04R 1/026; H04R 1/028; H04R 1/105; H04R 1/323; H04R 1/403; H04R 1/2803; H04R 1/2834; H04R 5/02; H04R 7/20; H04R 9/06; H04R 9/025; H04R 2201/021; H04R 2400/00; H04R 2400/07; H04R 2499/11; H04R 2499/13; H04R 2499/15; H04S 3/00; H04S 7/30

See application file for complete search history.

(56) **References Cited**

**U.S. PATENT DOCUMENTS**

D616,464 S \* 5/2010 Park ..... D14/496  
D707,198 S \* 6/2014 Bouzid ..... D14/167

D792,370 S \* 7/2017 Iranyi ..... D14/191  
D798,838 S \* 10/2017 DiTullo ..... D14/214  
D817,306 S \* 5/2018 Jang ..... D14/214  
D830,343 S \* 10/2018 Fustino ..... D14/214  
D875,076 S \* 2/2020 Sakata ..... D14/215  
D893,445 S \* 8/2020 Wall ..... D14/188  
D894,161 S \* 8/2020 Ye ..... D14/225  
D923,603 S \* 6/2021 Ming ..... D14/214  
D924,834 S \* 7/2021 DeLuna ..... D14/204  
D926,728 S \* 8/2021 He ..... D14/214

**OTHER PUBLICATIONS**

Amazon.com; SHIDU; ‘SHIDU Personal Voice Amplifier . . . ’; [online] ‘<https://www.amazon.com/dp/b07g5clewc>’; dated Jan. 7, 2017; accessed Oct. 19, 2020; 6pgs. (Year: 2017).\*

\* cited by examiner

*Primary Examiner* — Keli L Hill

(57) **CLAIM**

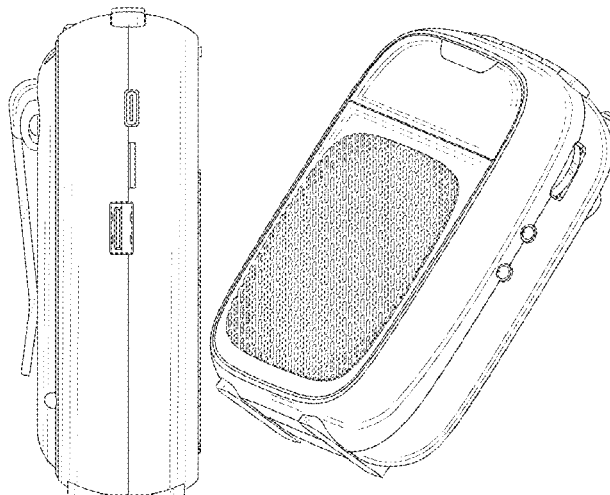
The ornamental design for a sound amplifier, as shown and described.

**DESCRIPTION**

FIG. 1 is a front view of a sound amplifier, showing our new design;  
FIG. 2 is a rear view thereof;  
FIG. 3 is a left side view thereof;  
FIG. 4 is a right side view thereof;  
FIG. 5 is a top view thereof;  
FIG. 6 is a bottom view thereof;  
FIG. 7 is a perspective view thereof; and,  
FIG. 8 is another perspective view thereof.

The interior structure behind the speaker grill forms no part of the claimed design and is not seeking to be protected. All of the broken lines shown in the drawings represent unclaimed portions of the sound amplifier and form no part of the claimed design.

**1 Claim, 8 Drawing Sheets**



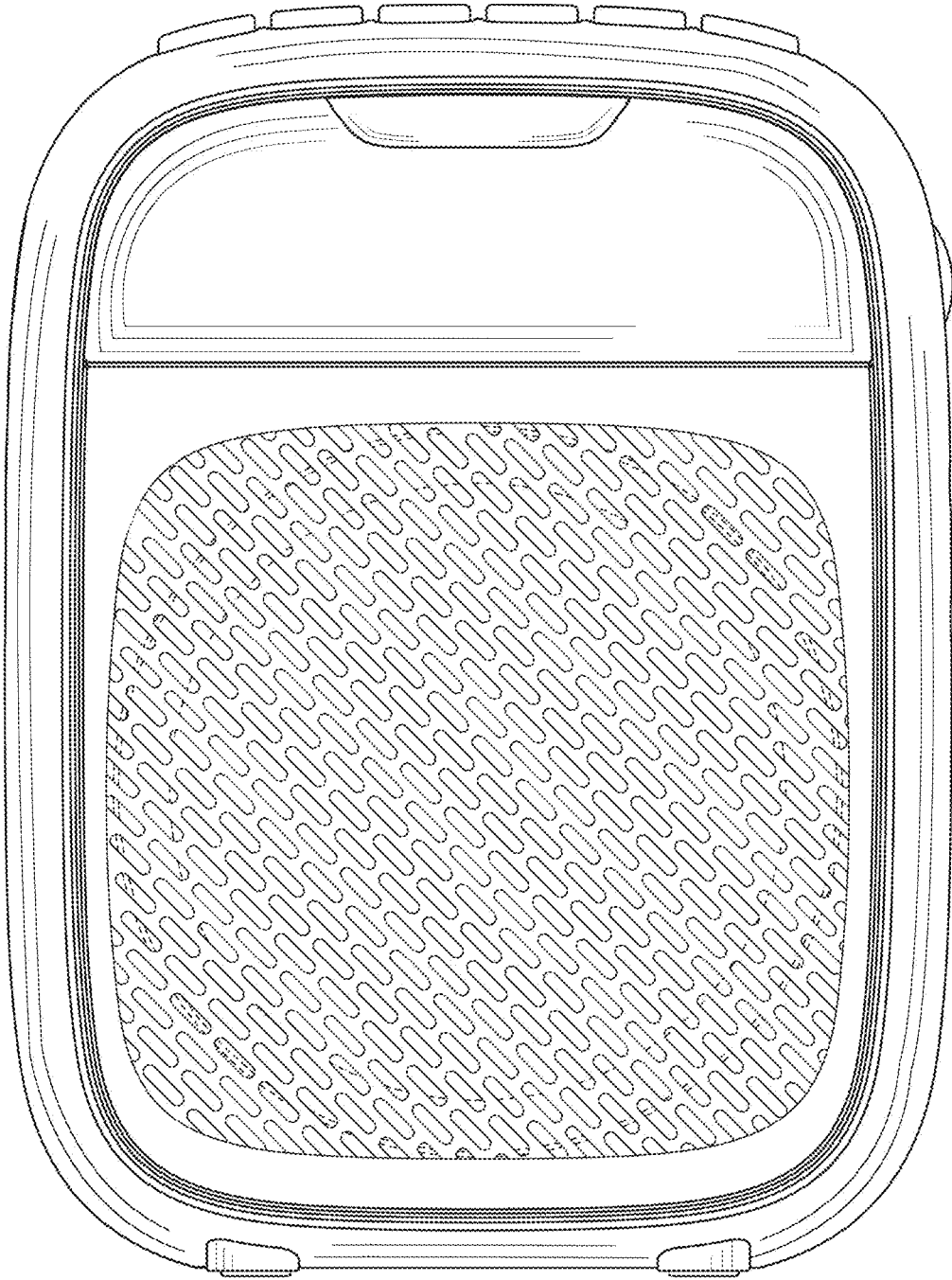


FIG. 1

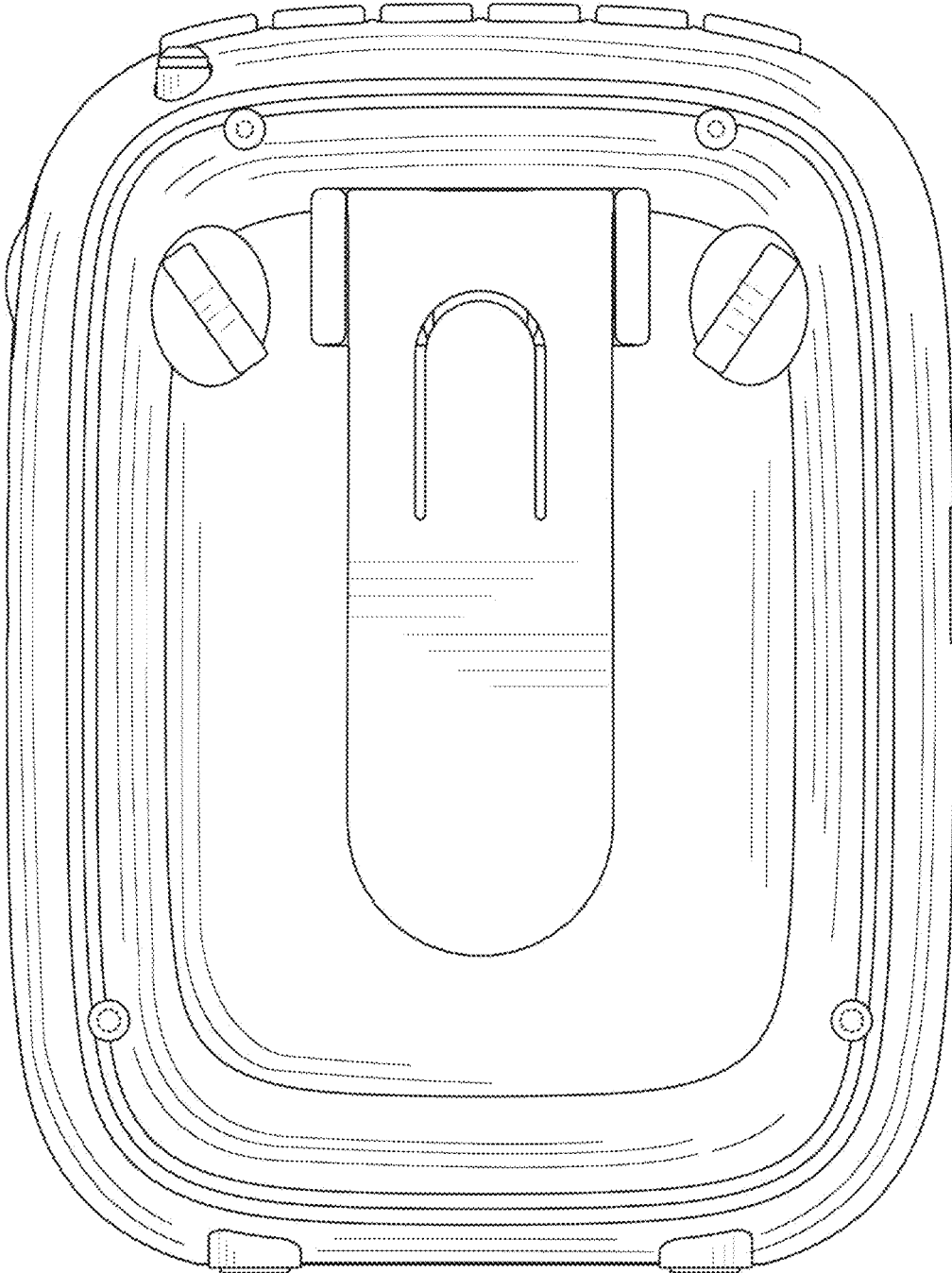


FIG. 2

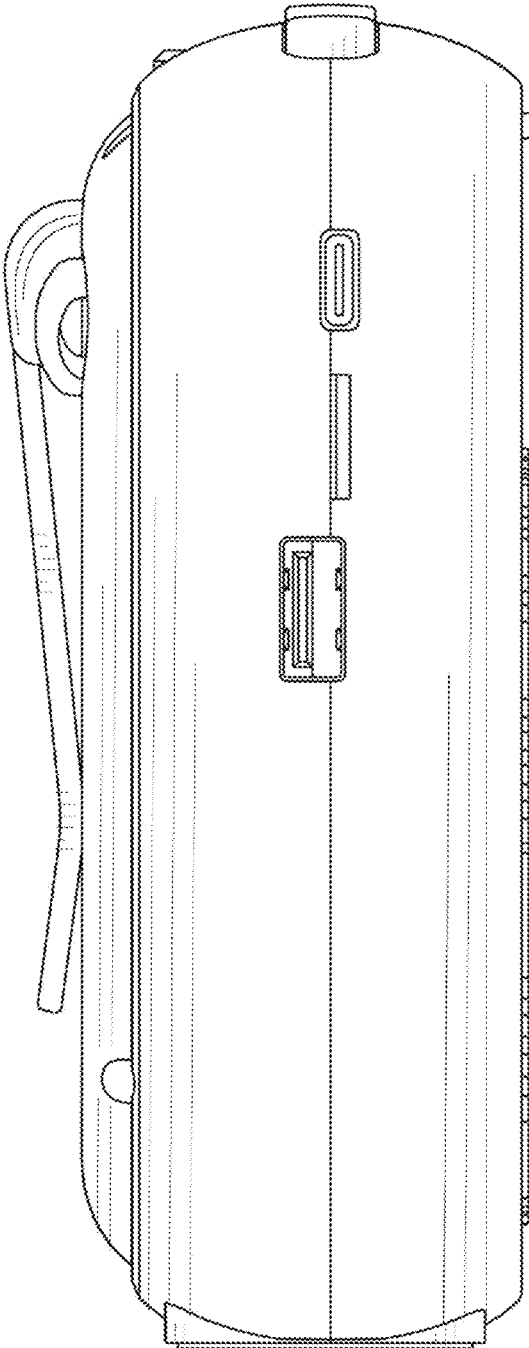


FIG. 3

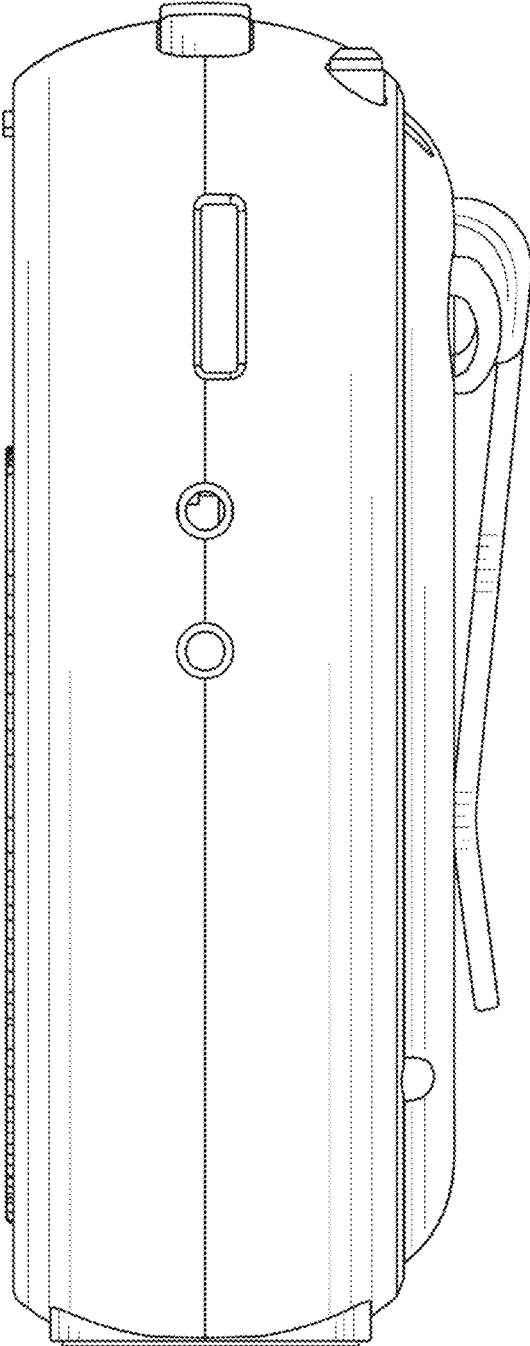


FIG. 4

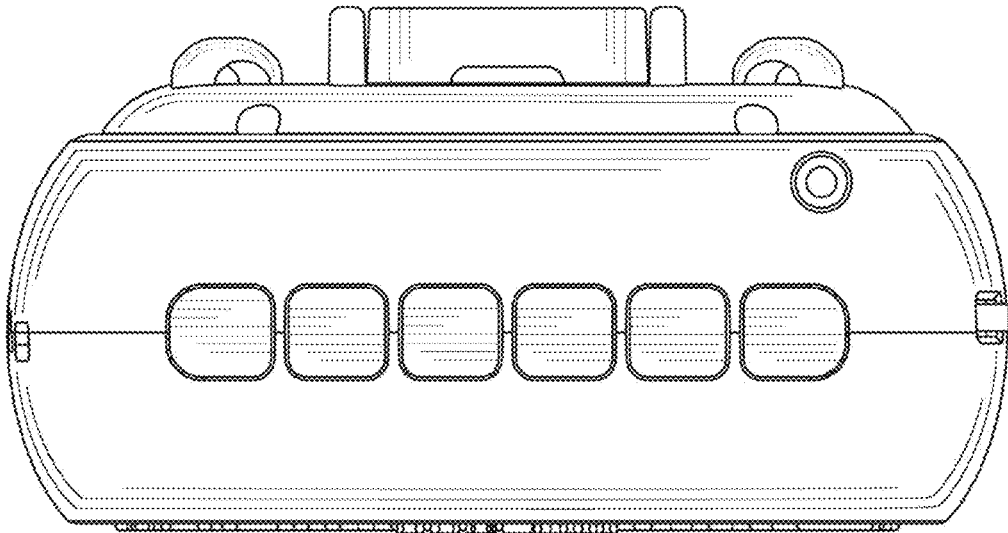


FIG. 5

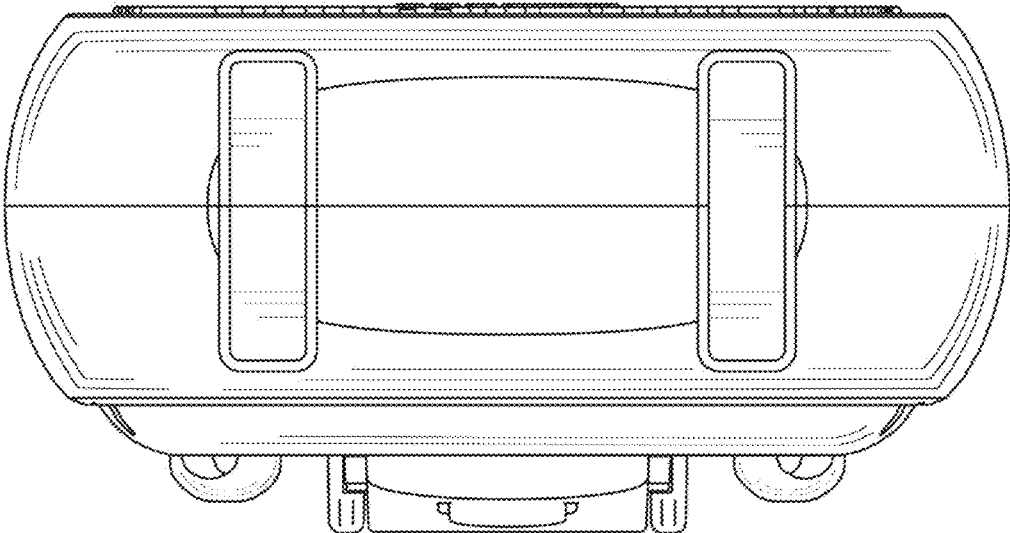


FIG. 6

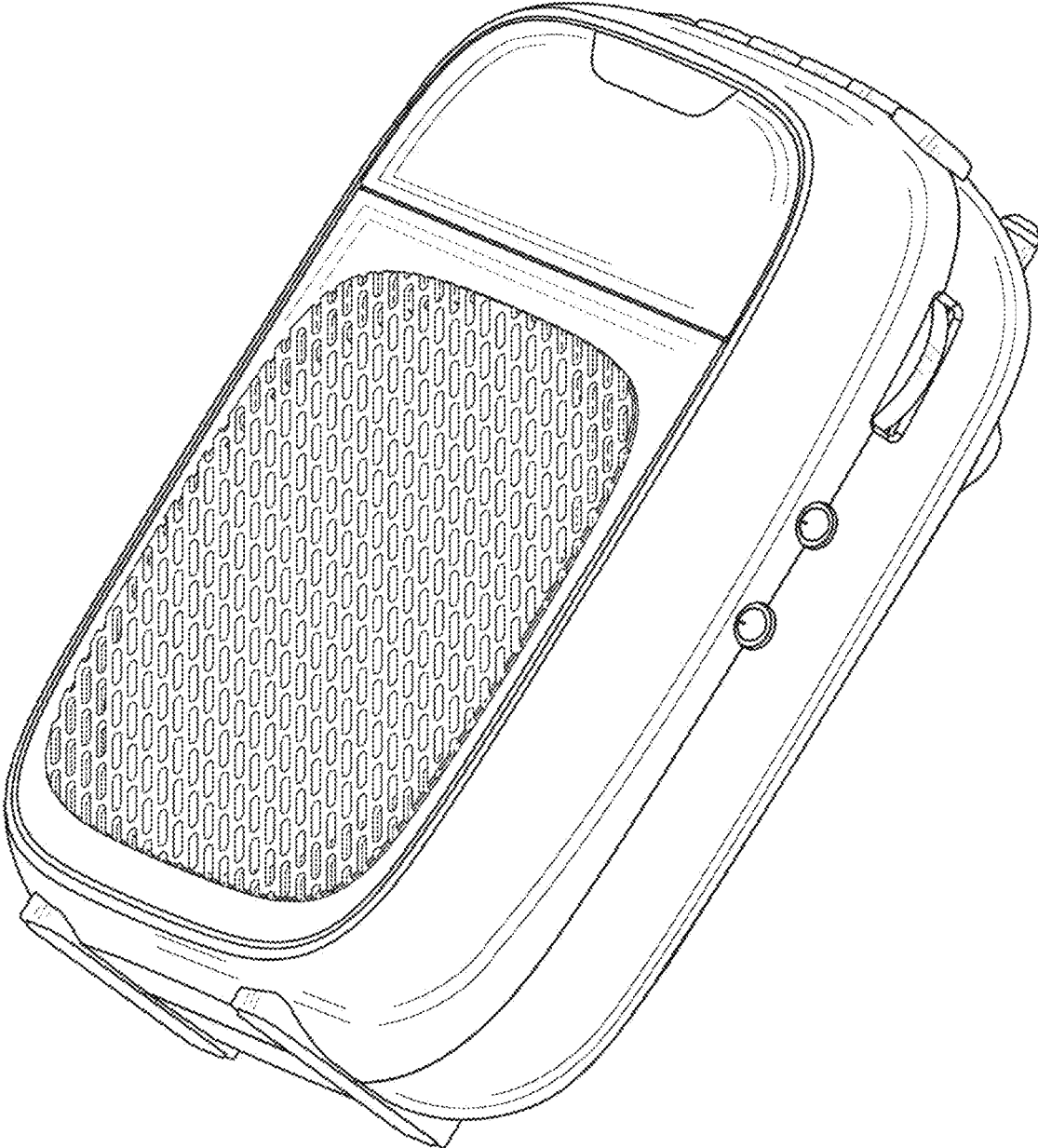


FIG. 7





FIG. 8