



US00D864676S

(12) **United States Design Patent**
Alvarez

(10) **Patent No.:** **US D864,676 S**

(45) **Date of Patent:** **** Oct. 29, 2019**

(54) **PANNING APPARATUS**

D571,168 S * 6/2008 Sais D8/1
D646,525 S * 10/2011 Molayem D7/505
8,113,355 B1 * 2/2012 Peterson B03B 5/02
209/235

(71) Applicant: **Bob Wayne Alvarez**, Seaside, OR (US)

(Continued)

(72) Inventor: **Bob Wayne Alvarez**, Seaside, OR (US)

(**) Term: **15 Years**

FOREIGN PATENT DOCUMENTS

(21) Appl. No.: **29/667,027**

CA 182117 * 6/2018

(22) Filed: **Oct. 17, 2018**

OTHER PUBLICATIONS

Related U.S. Application Data

Gold Rush Nugget Bucket, amazon.com, earliest reviewed Nov. 6, 2016, no production date given, [online], [site visited Mar. 18, 2019], Available from Internet, URL: <https://www.amazon.com/Gold-Rush-Nugget-Bucket-Panning/dp/B010LAM7O0?th=1> (Year: 2016).*

(Continued)

(63) Continuation-in-part of application No. 29/631,651, filed on Jan. 1, 2018.

(51) **LOC (12) Cl.** **31-00**

(52) **U.S. Cl.**

USPC **D7/667**

(58) **Field of Classification Search**

USPC D7/360, 548, 667; D8/1; D15/122, 123, D15/124, 147

CPC B03B 5/02; B03B 5/06

See application file for complete search history.

Primary Examiner — Garth Rademaker

Assistant Examiner — Fitzgerald L Butac

(74) *Attorney, Agent, or Firm* — Berkeley Law & Technology Group LLP

(57) **CLAIM**

The ornamental design for a panning apparatus, as shown and described.

DESCRIPTION

(56) **References Cited**

U.S. PATENT DOCUMENTS

4,319,994 A * 3/1982 Morgan B03B 5/02
209/447
D349,420 S * 8/1994 Hasuike D7/354
5,423,430 A * 6/1995 Zaffiro B07B 1/02
209/315
D420,864 S * 2/2000 Kenney D7/667
6,102,211 A * 8/2000 Krenzler B03B 5/74
15/260
D445,004 S * 7/2001 Wallays D7/667
D480,096 S * 9/2003 Hovian D15/147
7,025,880 B2 * 4/2006 Lamb B01D 29/03
15/264
7,114,459 B2 * 10/2006 Schmidt A01K 1/0114
119/161

FIG. 1 is a front perspective view of a panning apparatus showing my new design;

FIG. 2 is a front elevational view thereof;

FIG. 3 is a rear elevational view thereof;

FIG. 4 is a right side view thereof;

FIG. 5 is a left side view thereof;

FIG. 6 is a top plan view thereof;

FIG. 7 is a bottom plan view thereof;

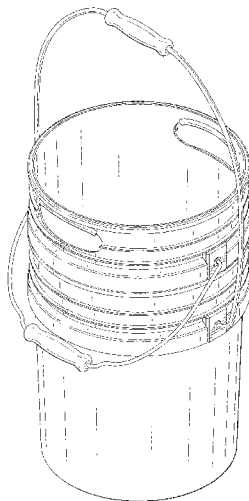
FIG. 8 is a top perspective view thereof;

FIG. 9 is an exploded top perspective view thereof;

FIG. 10 is an exploded bottom perspective view thereof; and,

FIG. 11 is an exploded front elevation view thereof.

1 Claim, 10 Drawing Sheets



(56)

References Cited

U.S. PATENT DOCUMENTS

D666,086	S *	8/2012	Mundhra	D7/667
D688,592	S *	8/2013	Placencia	D11/152
D733,509	S *	7/2015	Cornu	D7/667
D752,399	S *	3/2016	Walsh	D7/667
D786,630	S *	5/2017	Walsh	D7/667
D799,281	S *	10/2017	Walsh	D7/667
2013/0213862	A1 *	8/2013	Peterson	B07B 1/4681 209/235
2014/0116927	A1 *	5/2014	Moe	B03B 5/68 209/235
2014/0332448	A1 *	11/2014	Trivette	B07B 1/46 209/17

OTHER PUBLICATIONS

Screen shot of Facebook post <https://www.facebook.com/bob.alvarez.1441/posts/259002984900733> by Applicant Bob Wayne Alvarez dated Jul. 21, 2018, 1 page.
Examination Report from CA Patent Office for CA Application No. 182117 dated Apr. 2, 2019.
Response to Examination Report from CA Patent Office for CA Application No. 182117 dated Jun. 21, 2019.

* cited by examiner

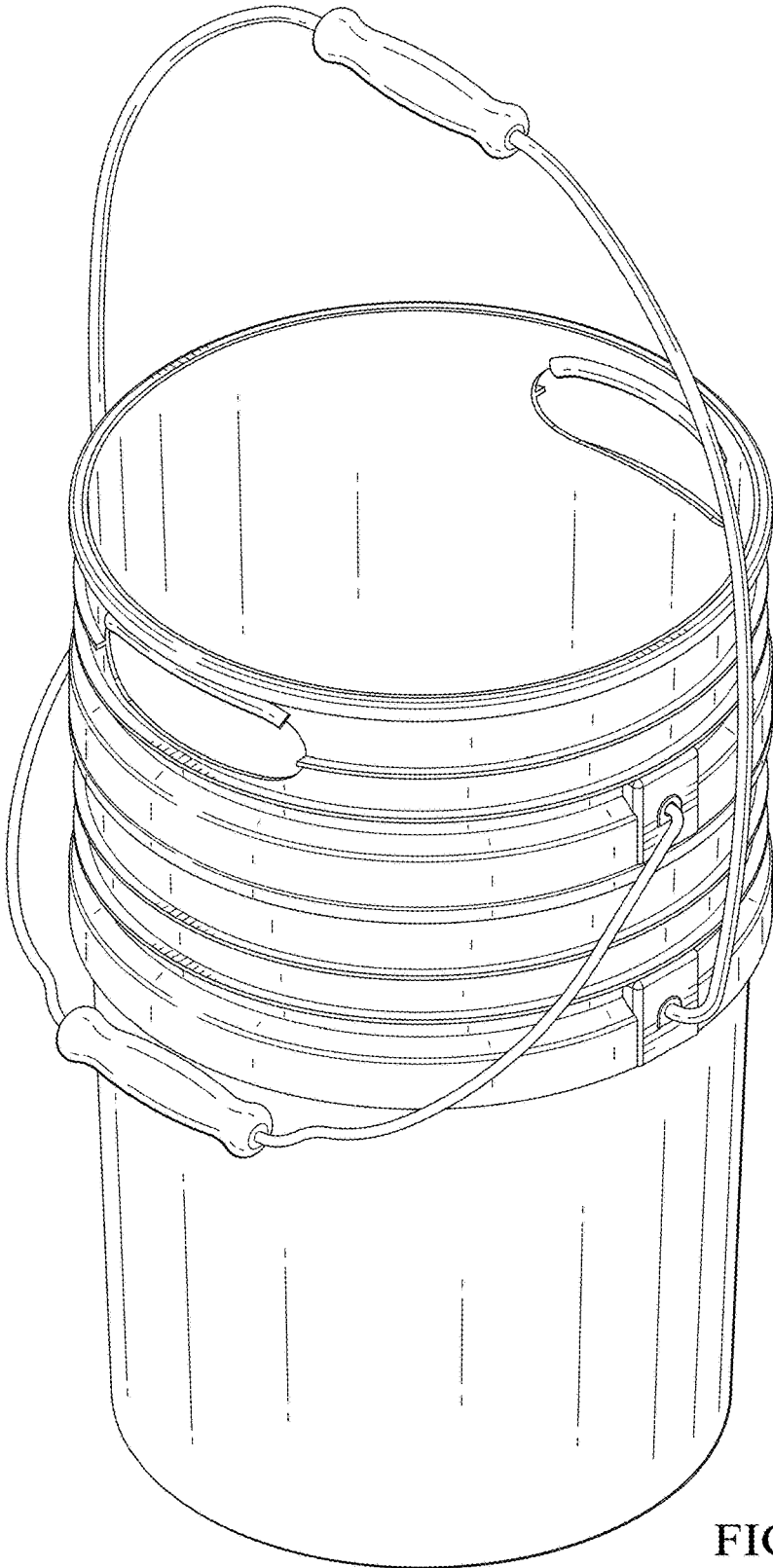


FIG. 1

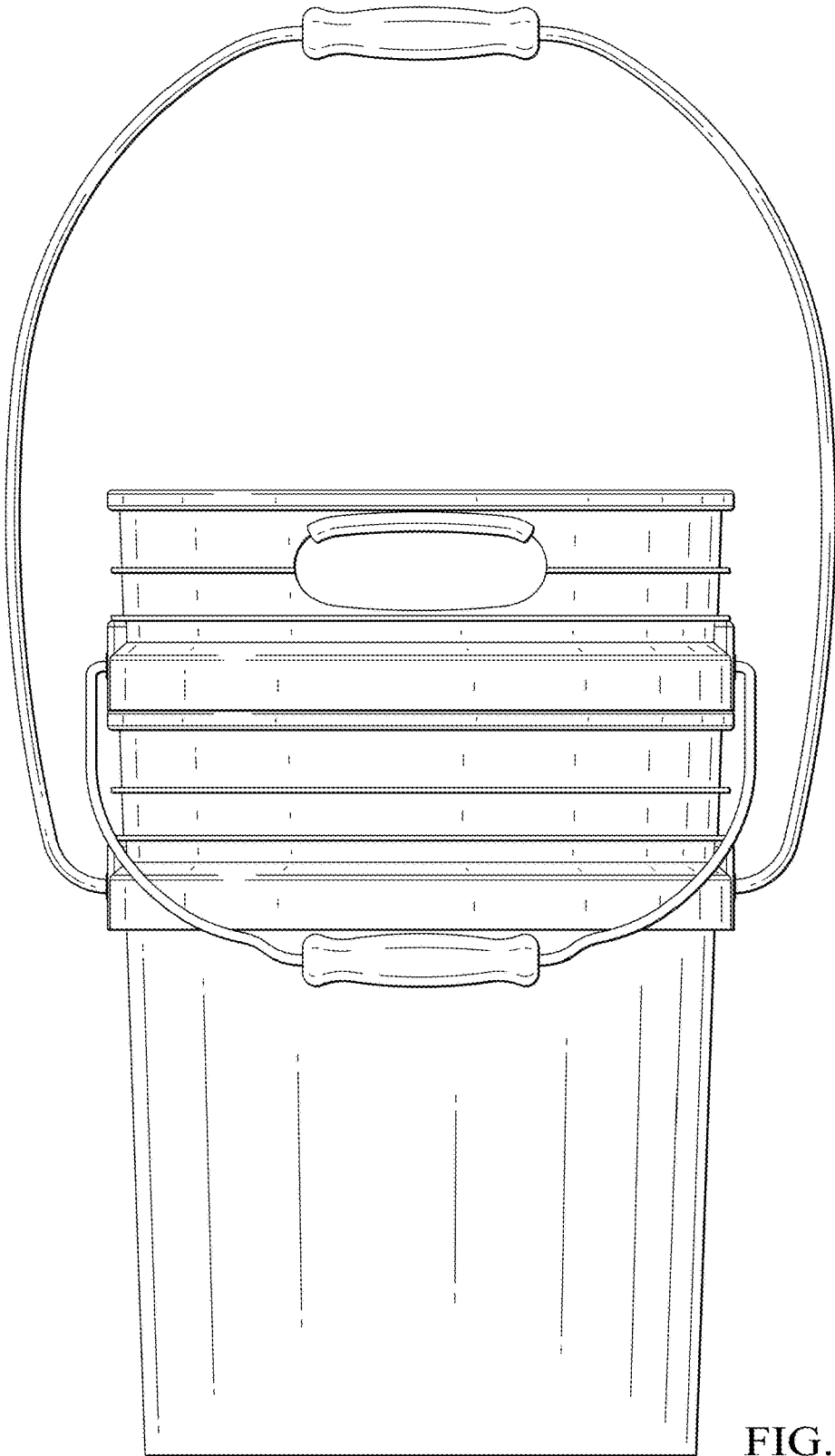


FIG. 2

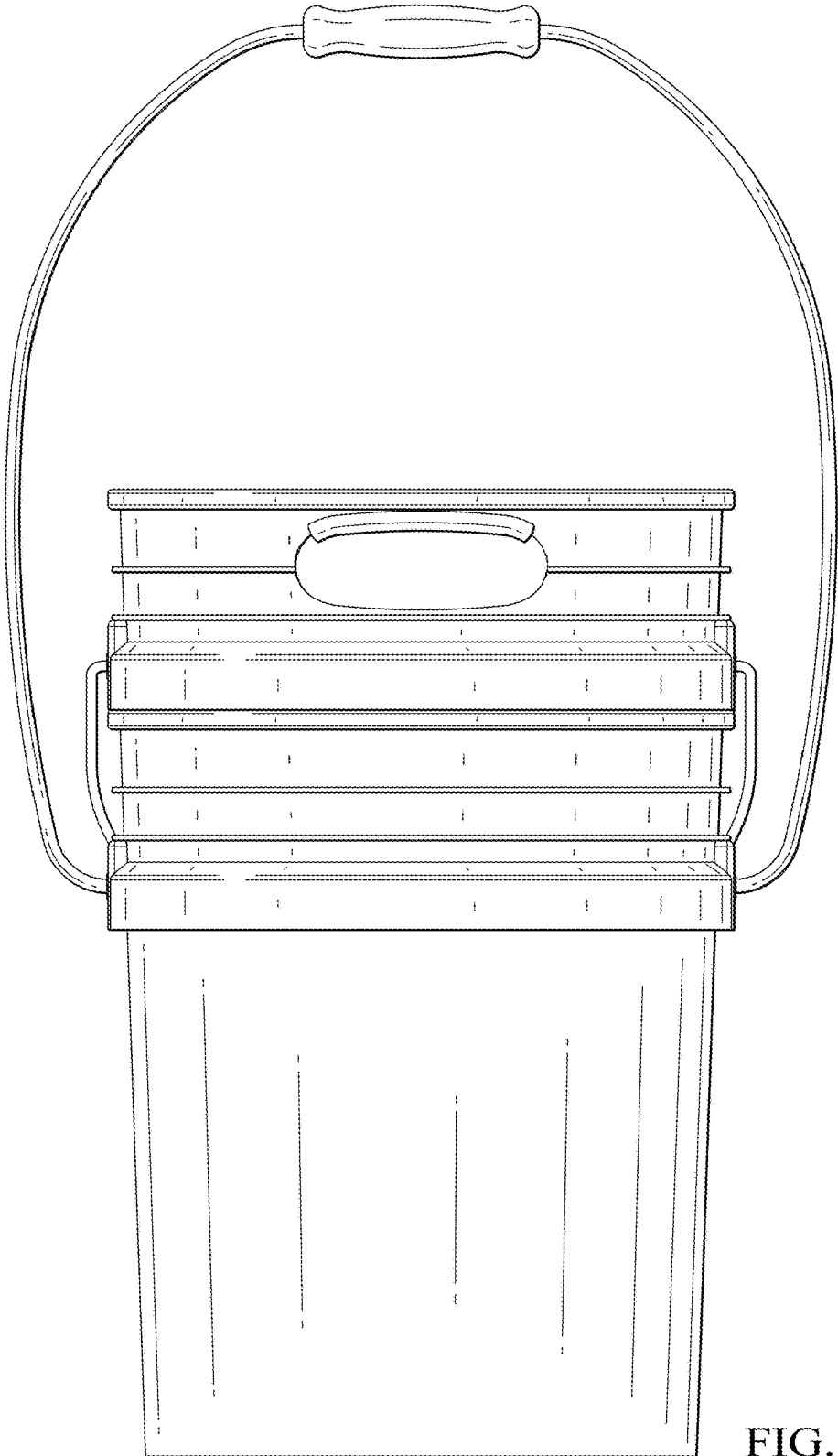


FIG. 3

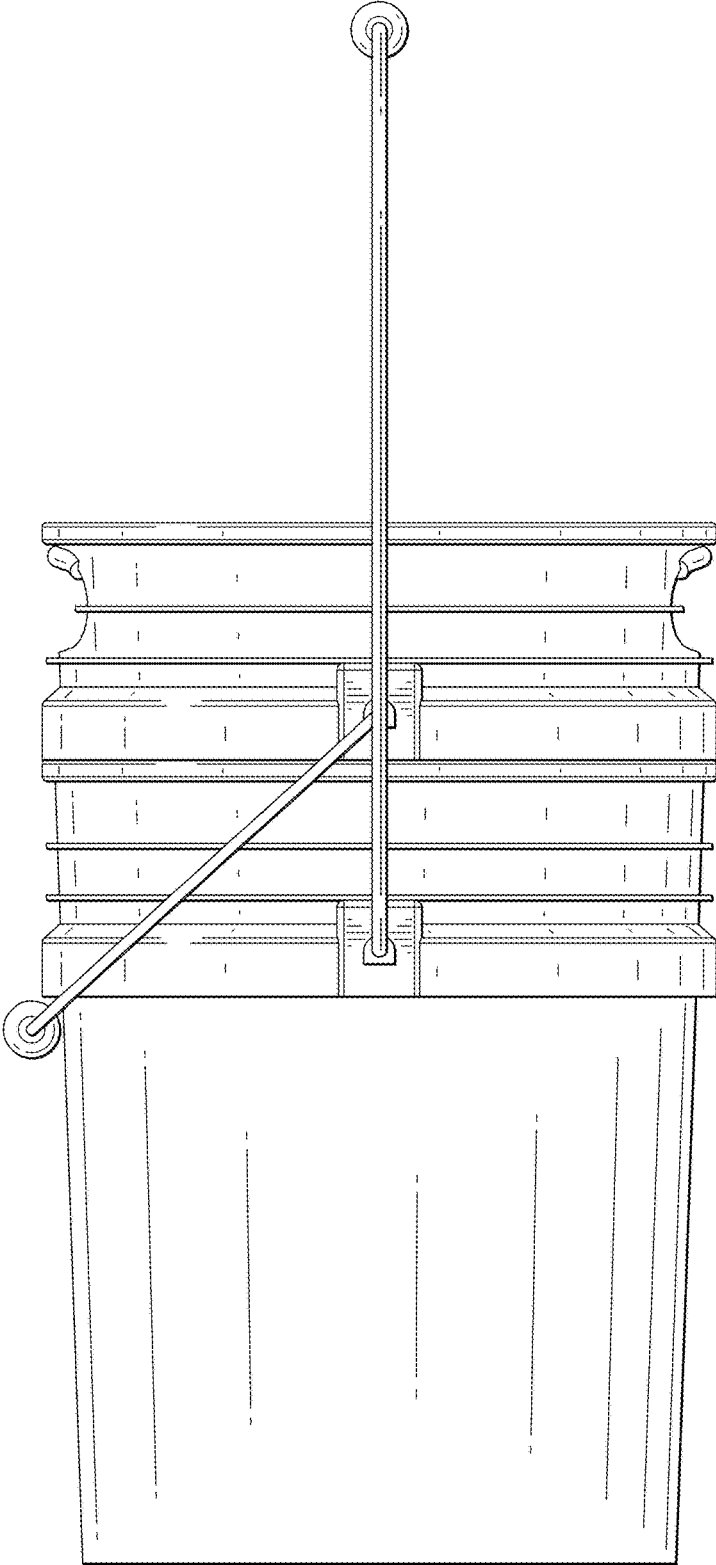


FIG. 4

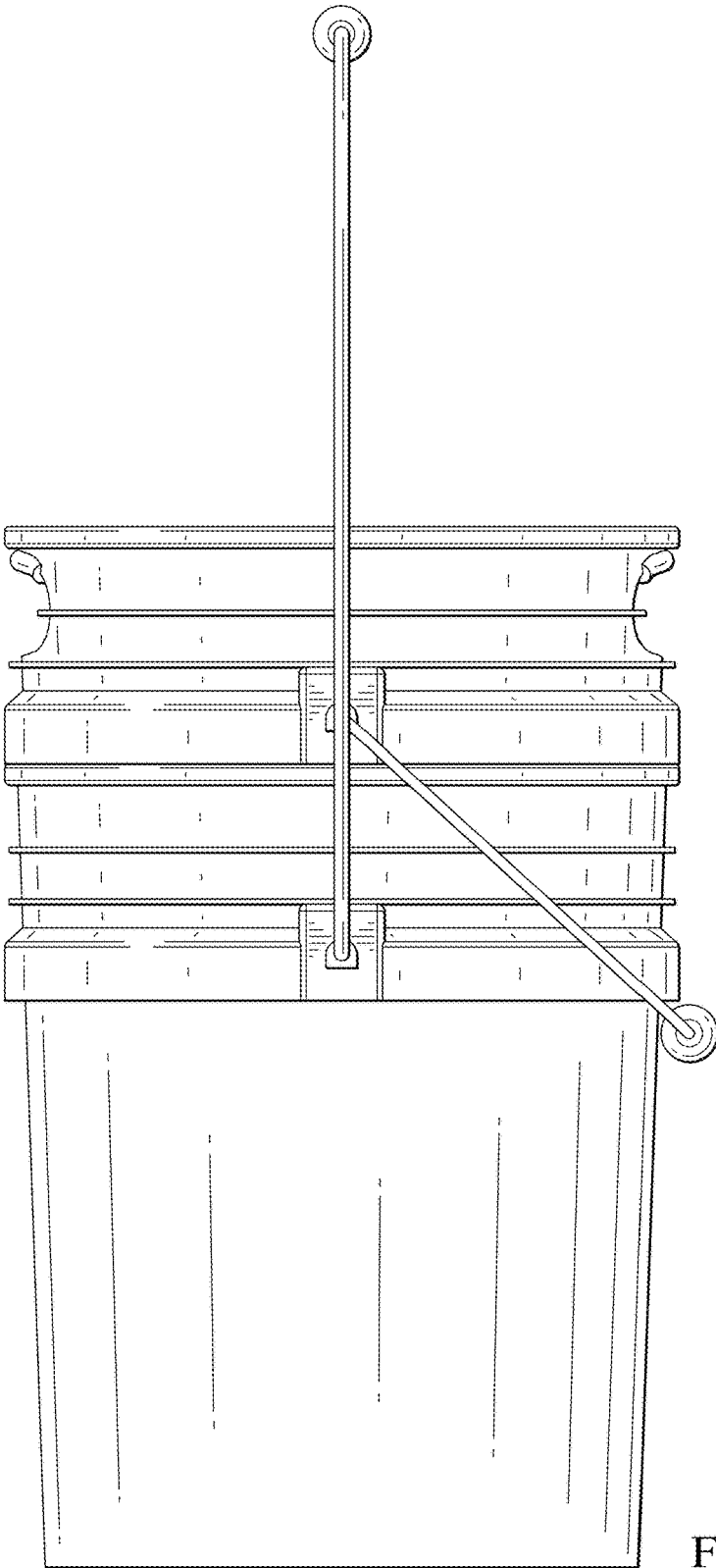


FIG. 5

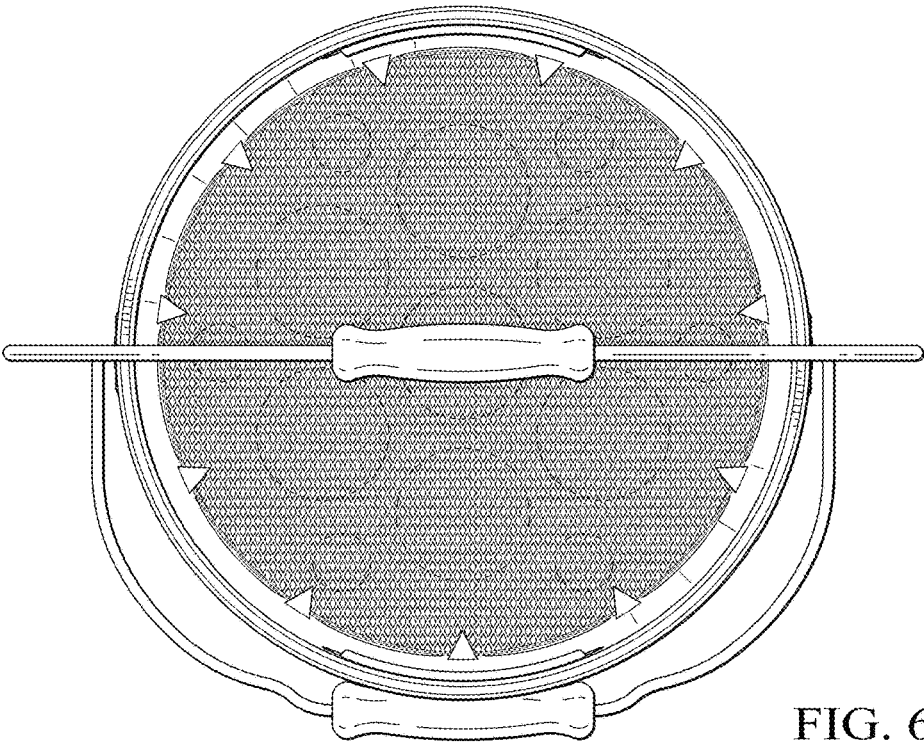


FIG. 6

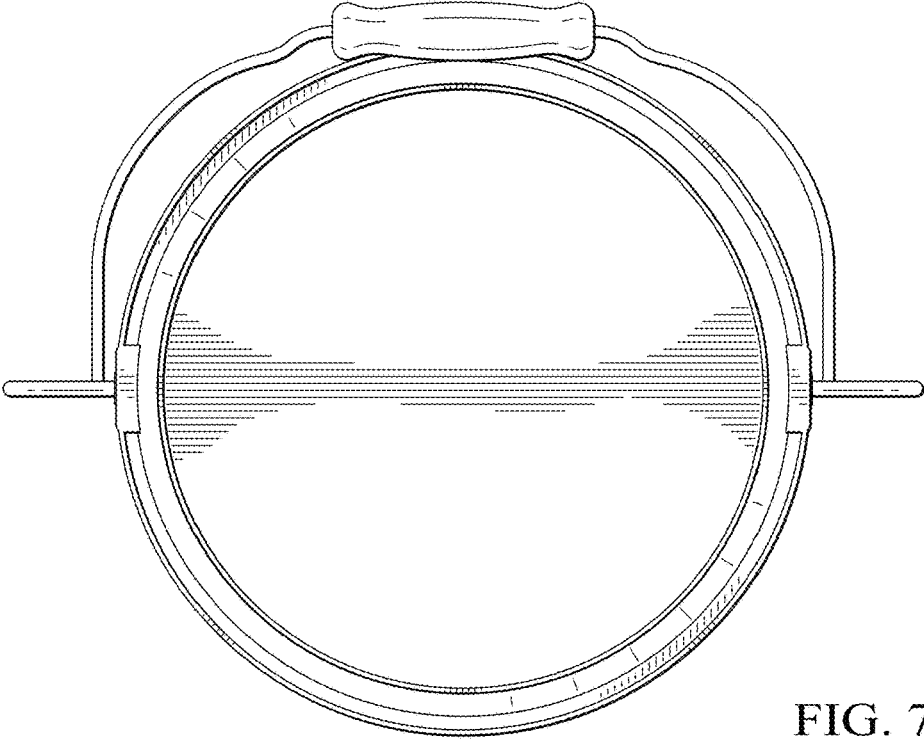


FIG. 7

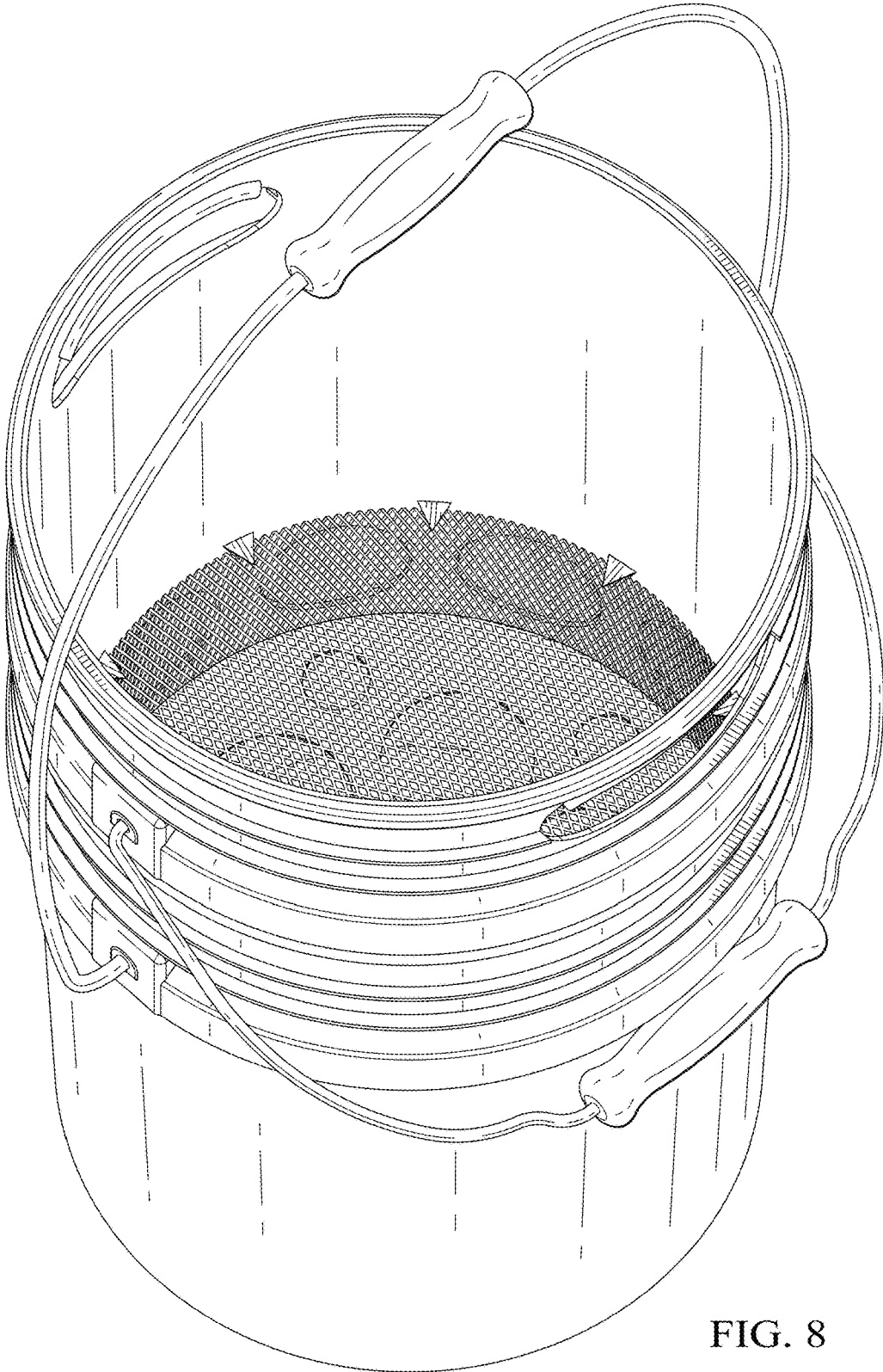


FIG. 8

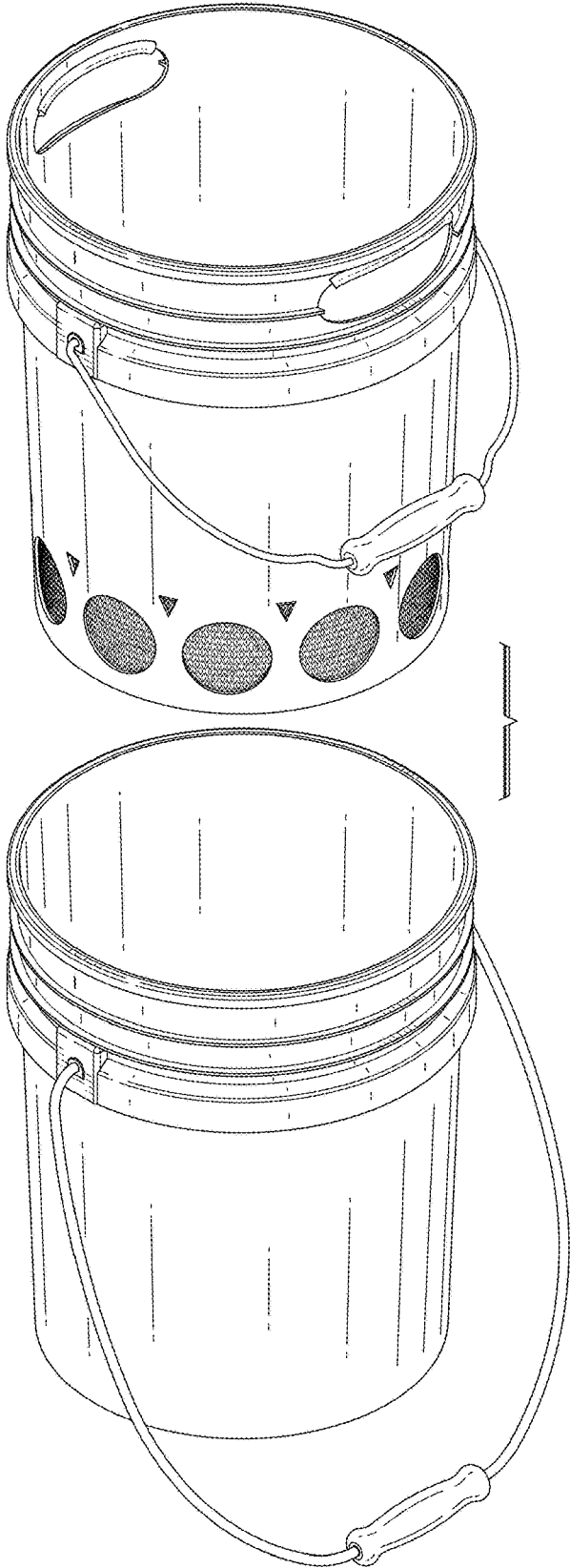


FIG. 9

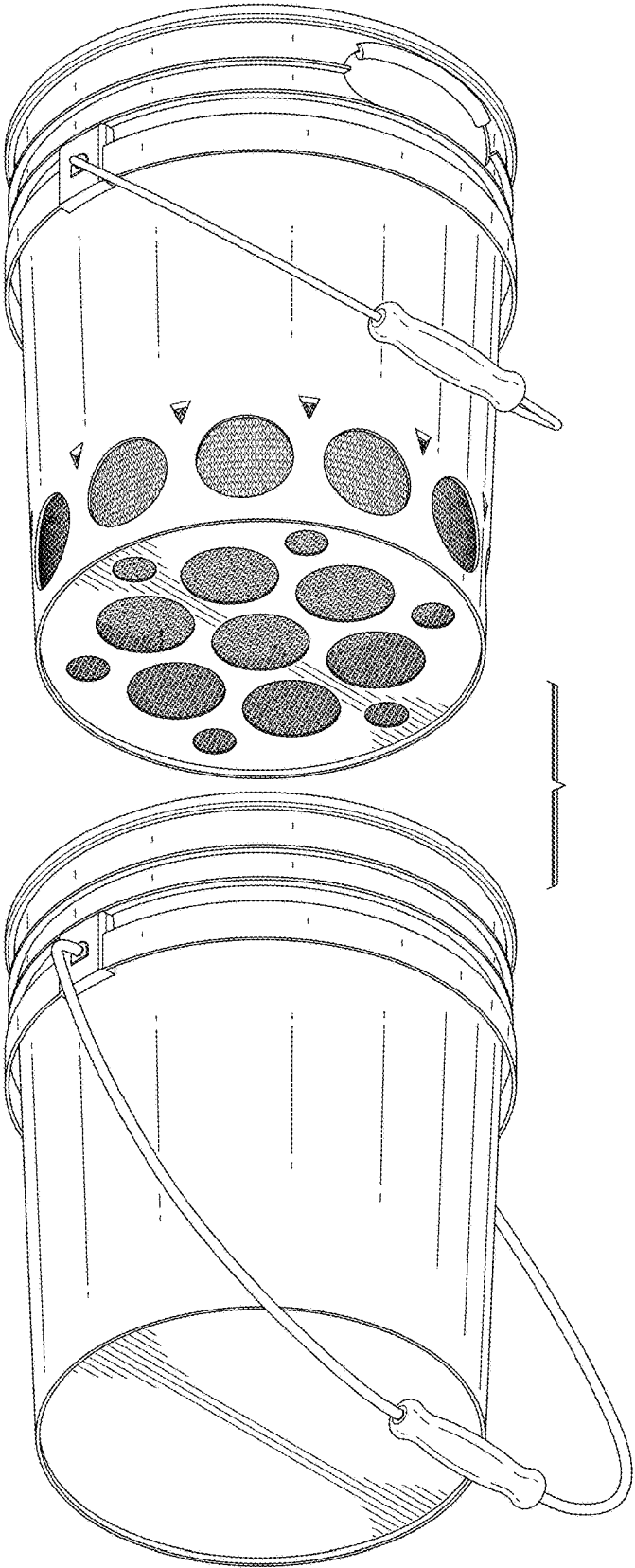


FIG. 10

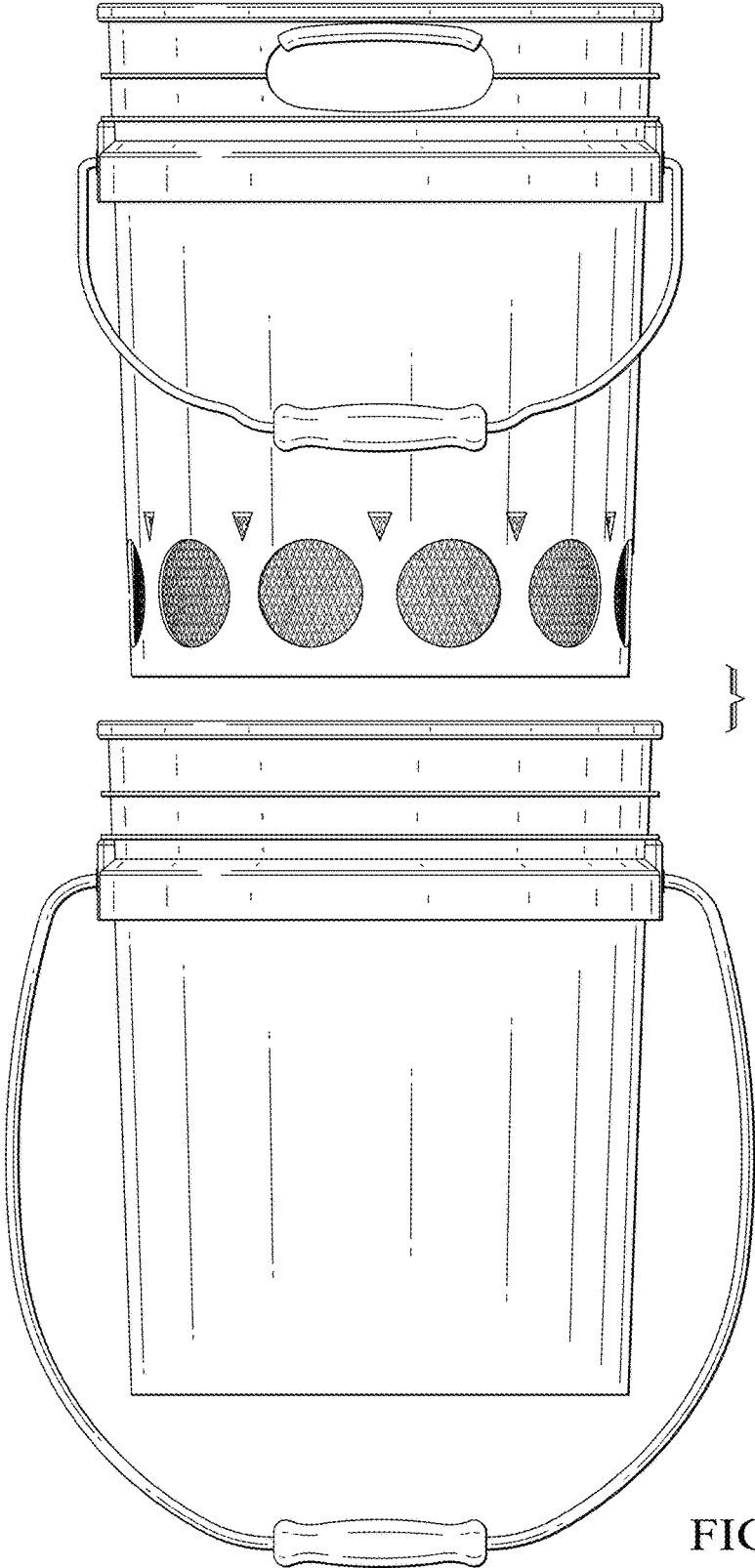


FIG. 11