



US00D391345S

United States Patent [19]

[11] Patent Number: Des. 391,345

Mandir et al.

[45] Date of Patent: **Feb. 24, 1998

[54] GAS FIRED HEATER

Primary Examiner—Lisa Lichtenstein
Attorney, Agent, or Firm—Dorsey & Whitney LLP

[75] Inventors: **Kulwant Mandir**, Hall Green
Birmingham; **Andrew Mark Wilson**,
Handsacre, both of England

[57] CLAIM

[73] Assignee: **Valor Limited**, Erdington, England

The ornamental design for a gas fired heater, as shown and described.

[**] Term: 14 Years

DESCRIPTION

[21] Appl. No.: 42,808

FIG. 1 is a front perspective view of the gas fired heater;
FIG. 2 is a front elevational view thereof;

[22] Filed: Jul. 20, 1995

FIG. 3 is a front perspective view of the gas fired heater,
showing a second embodiment of our new design;

[30] Foreign Application Priority Data

Feb. 28, 1995 [GB] United Kingdom 2045691
Feb. 28, 1995 [GB] United Kingdom 2045692

FIG. 4 is a front elevational view of the modified form of
FIG. 3;

[51] LOC (6) Cl. 23-03

[52] U.S. Cl. D23/339

[58] Field of Search D23/339, 342-344;
392/373-376; 126/92 B, 91 R, 92 AC,
77, 60, 65, 512, 92 R

FIG. 5 is a right side elevational view of the gas fired heater
of FIG. 1 and 2, and the modified form of FIGS. 3 and 4;

FIG. 6 is a left side elevational view of the gas fired heater
of FIG. 1 and 2, and the modified form of FIGS. 3 and 4;

FIG. 7 is a top plan view of the gas fired heater of FIGS. 1
and 2, and the modified form of FIGS. 3 and 4;

FIG. 8 is an inverted plan view of the gas fired heater of
FIGS. 1 and 2, and the modified form of FIGS. 3 and 4; and,

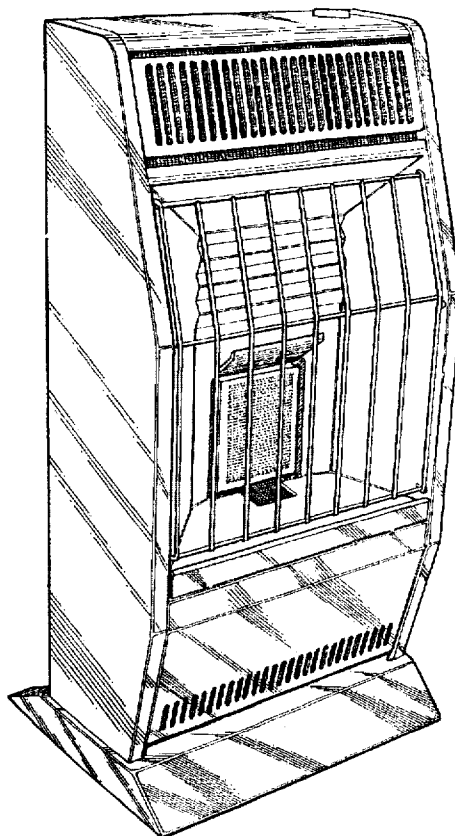
FIG. 9 is a rear elevational view of the gas fired heater of
FIGS. 1 and 2, and the modified form of FIGS. 3 and 4.

[56] References Cited

PUBLICATIONS

Graingn's Spring '86 Cat., p. 1195, Unvented Gas Heater
(a), top of page.
The National Energy Journal Jan. 1984, p. 9, Unvented Gas
Leatas B and C, Middle and Right Side of Page WHA
Tradeshow Brochures.

1 Claim, 7 Drawing Sheets



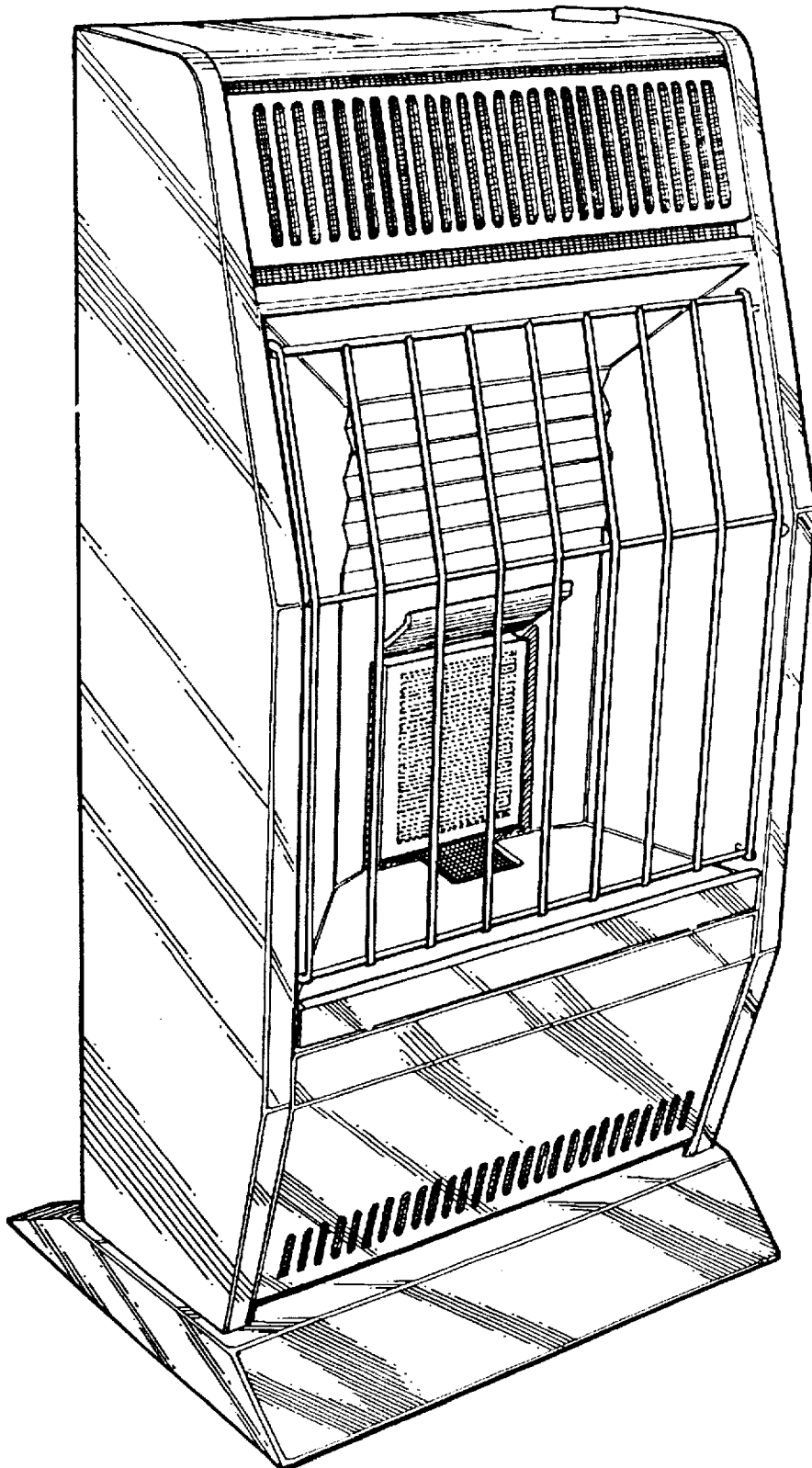


FIG. 1

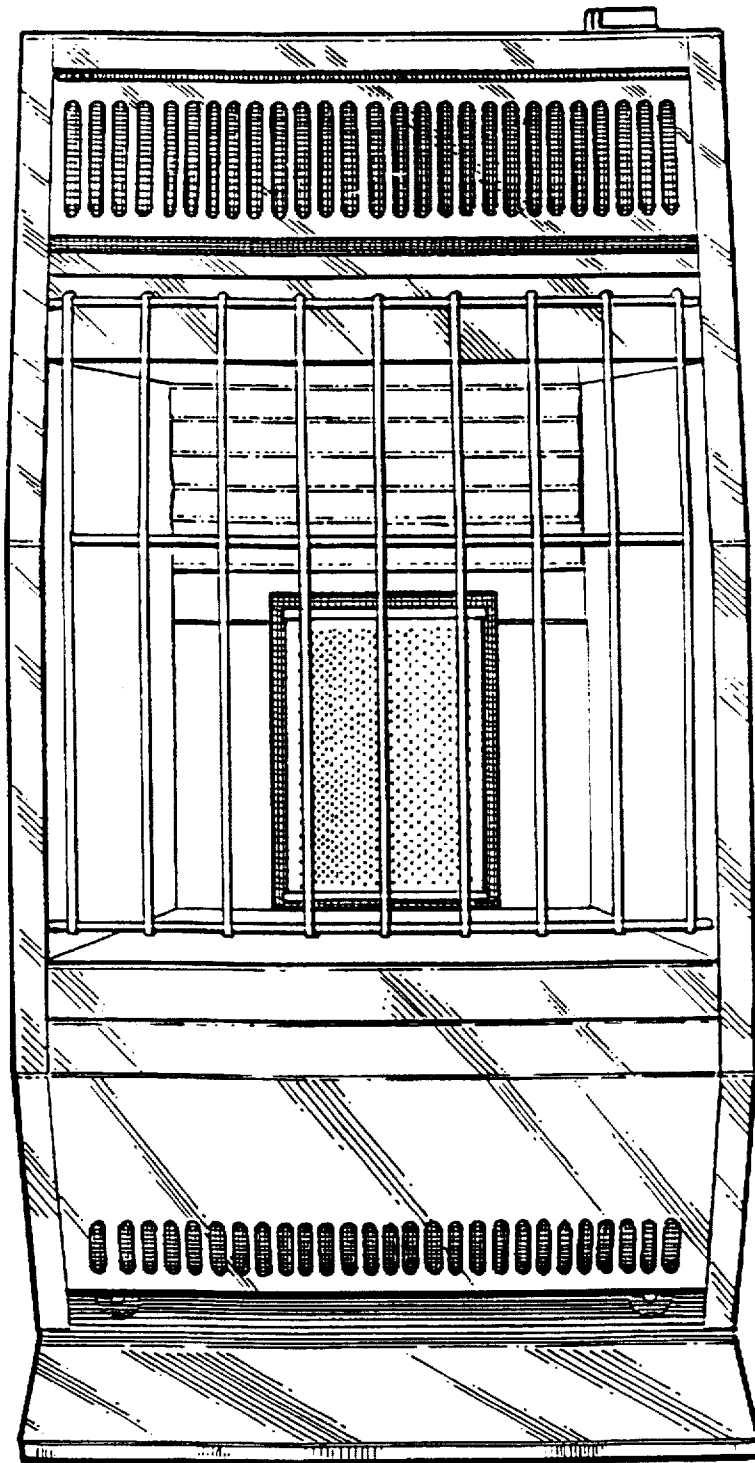


FIG. 2

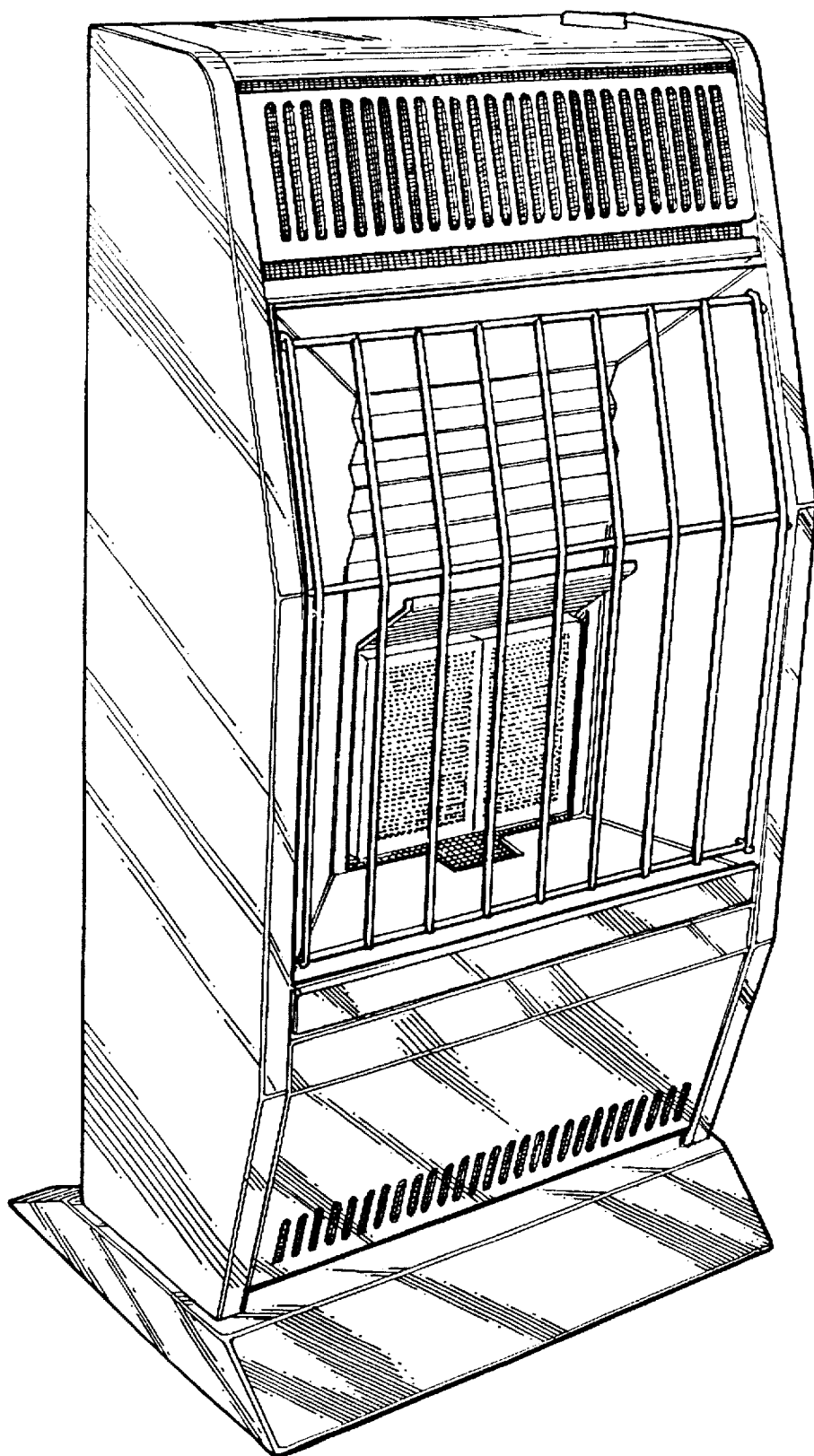


FIG. 3

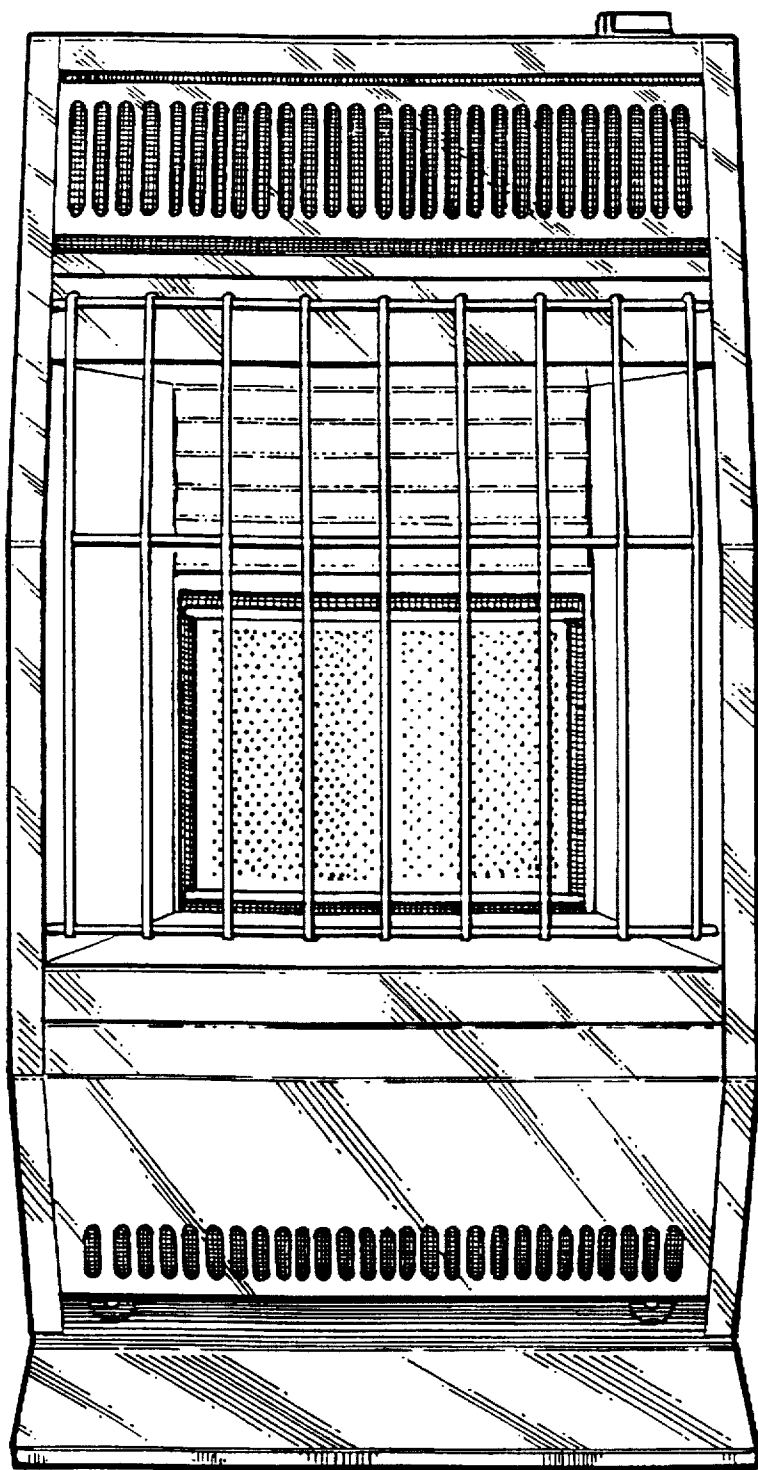


FIG. 4

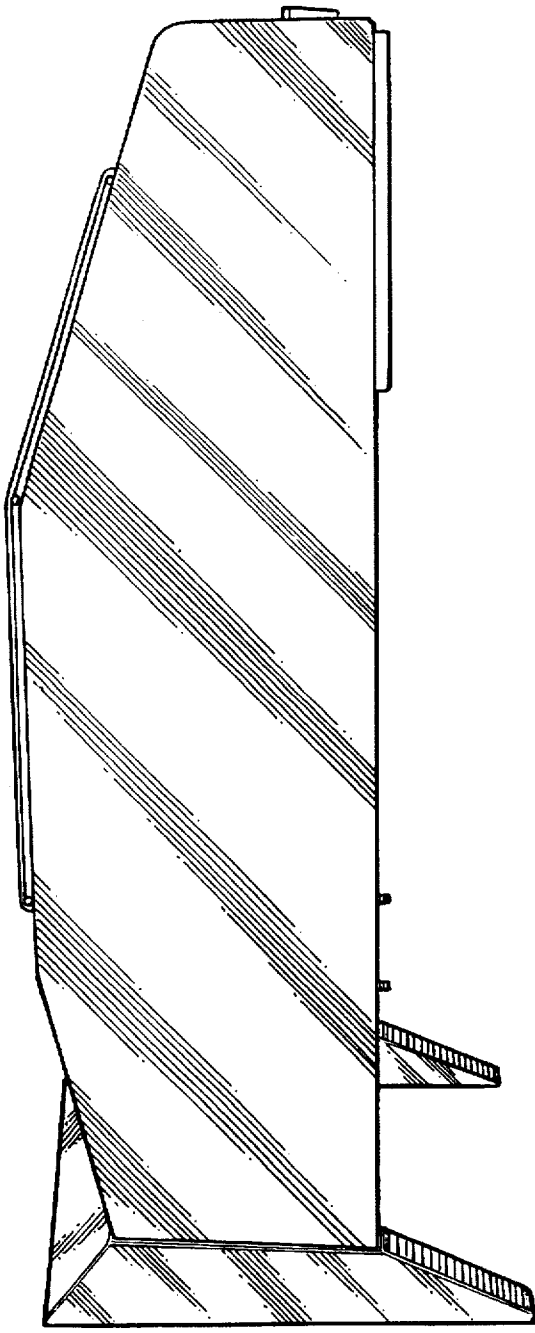


FIG. 5

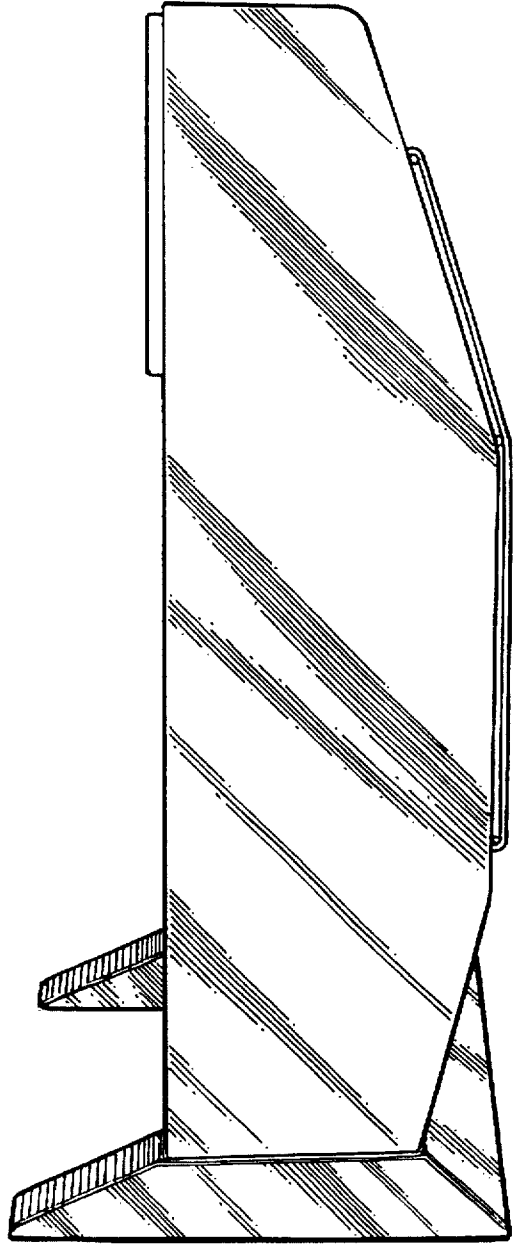


FIG. 6

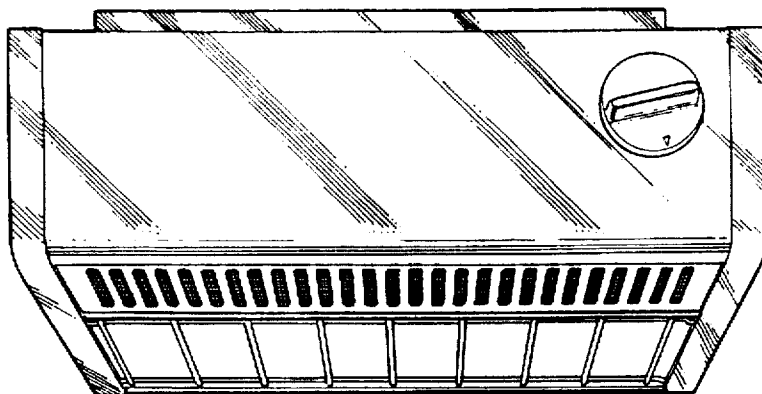


FIG. 7

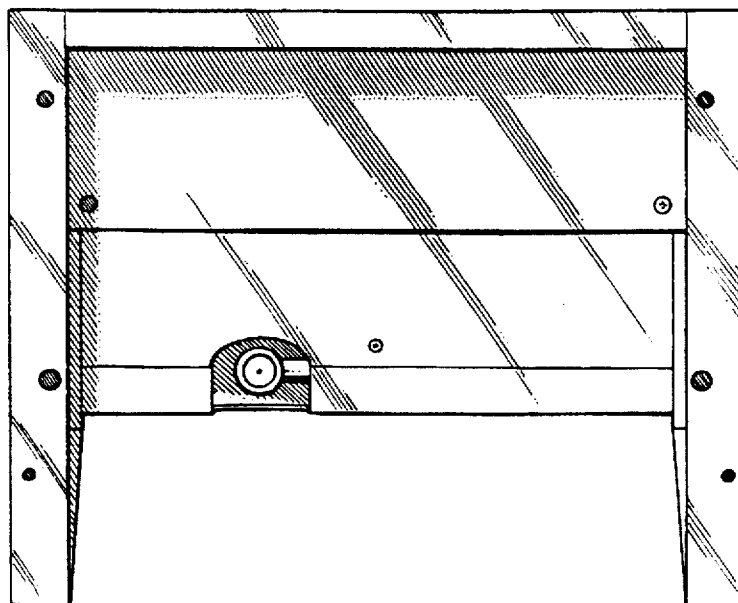


FIG. 8

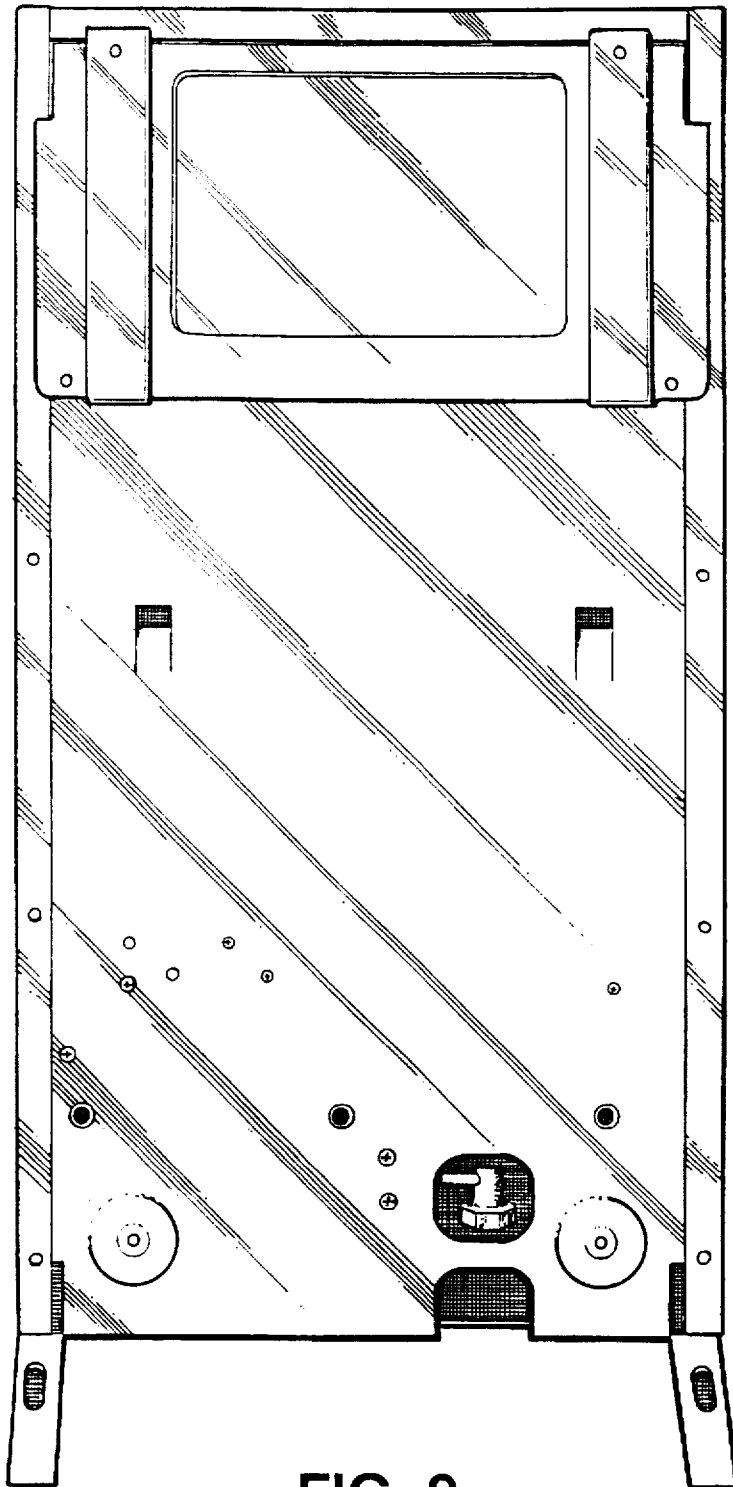


FIG. 9