



(12) **United States Design Patent**
Balan et al.

(10) **Patent No.:** **US D790,603 S**
(45) **Date of Patent:** **** Jun. 27, 2017**

(54) **TIP FOR A GROUND ENGAGING MACHINE IMPLEMENT**

- (71) Applicant: **Caterpillar Inc.**, Peoria, IL (US)
- (72) Inventors: **Mihai Mircea Balan**, Dunlap, IL (US);
Douglas Serrurier, Morton, IL (US)
- (73) Assignee: **Caterpillar Inc.**, Peoria, IL (US)
- (**) Term: **15 Years**
- (21) Appl. No.: **29/580,224**
- (22) Filed: **Oct. 6, 2016**

Related U.S. Application Data

- (63) Continuation of application No. 29/536,036, filed on Aug. 12, 2015, now Pat. No. Des. 774,567.
- (51) **LOC (10) Cl.** **15-03**
- (52) **U.S. Cl.**
USPC **D15/29; D15/28**
- (58) **Field of Classification Search**
USPC D15/11, 28, 29; 37/456, 452, 450, 446, 37/454, 449, 453, 455, 903; 403/379.5, 403/DIG. 1; 111/152; 172/724, 730, 172/766, 770, 771, 721, 713, 699, 772
CPC Y10T 29/49826; Y10T 403/589; Y10T 403/7018; Y10T 403/7075; E02F 9/28; E02F 9/2825; E02F 9/2833; E02F 9/2866; E02F 9/2858; E02F 9/2808; E02F 9/2841
See application file for complete search history.

(56) **References Cited**

U.S. PATENT DOCUMENTS

- 1,220,186 A 3/1917 Chambers
 - 1,384,701 A 7/1921 McMonegal
 - 1,571,782 A 2/1926 Andrews
 - 1,856,930 A 5/1932 Robin
- (Continued)

FOREIGN PATENT DOCUMENTS

- CL 2068-1995 10/1996
 - CL 391-1998 11/1998
- (Continued)

OTHER PUBLICATIONS

Caterpillar Inc., Cat® K Series™ Tooth Systems, brochure (4 pages), 2006.
(Continued)

Primary Examiner — Mark Goodwin
(74) *Attorney, Agent, or Firm* — Saidman Design Law Group

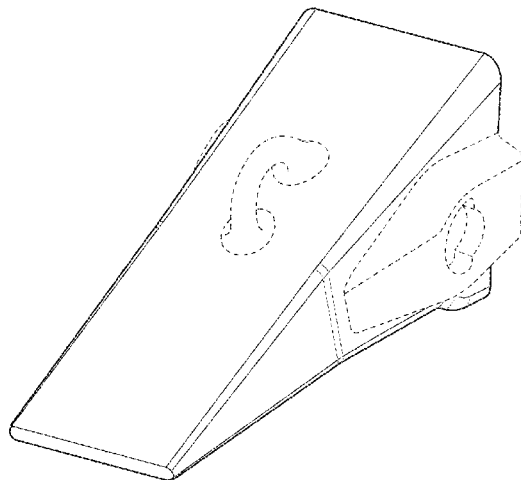
(57) **CLAIM**

The ornamental design for a tip for a ground engaging machine implement, as shown and described.

DESCRIPTION

FIG. 1 is a front perspective view of a tip for a ground engaging machine implement showing our new design; FIG. 2 is a front view thereof; FIG. 3 is a rear view thereof; FIG. 4 is a left side view thereof; FIG. 5 is a right side view thereof; FIG. 6 is a top view thereof; FIG. 7 is a bottom view thereof; FIG. 8 is a front perspective view of a second embodiment thereof; FIG. 9 is a front view thereof; FIG. 10 is a rear view thereof; FIG. 11 is a left side view thereof; FIG. 12 is a right side view thereof; FIG. 13 is a top view thereof; and, FIG. 14 is a bottom view thereof.
The dashed broken lines represent structure or features which form no part of the claimed design; the broken lines themselves form no part of the claimed design.
The line shading in the drawings represents contour.

1 Claim, 6 Drawing Sheets



(56)

References Cited

U.S. PATENT DOCUMENTS			FOREIGN PATENT DOCUMENTS		
2,256,488	A	9/1941 Murtaugh	D614,206	S	4/2010 Ruvang
2,427,651	A	9/1947 Baer	7,739,814	B2	6/2010 Carpenter et al.
D182,143	S	2/1958 Petersen	7,762,015	B2	7/2010 Smith et al.
2,982,035	A	5/1961 Stephenson	D624,943	S	10/2010 Gibbon
3,019,537	A	2/1962 Stephenson	D706,307	S	6/2014 Renski et al.
3,079,710	A	3/1963 Larsen et al.	D706,311	S	6/2014 Renski et al.
3,312,004	A	4/1967 Johnson	D706,312	S	6/2014 Renski et al.
3,623,247	A	11/1971 Stepe	D706,839	S	6/2014 Renski et al.
3,774,324	A	11/1973 Lafond	D706,840	S	6/2014 Renski et al.
3,823,496	A	7/1974 Querci et al.	D707,263	S	6/2014 Renski et al.
3,832,077	A	8/1974 Von Mehren	D707,264	S	6/2014 Renski et al.
4,027,408	A	6/1977 Ramella et al.	8,943,717	B2	2/2015 Renski et al.
D251,431	S	3/1979 Klett et al.	D727,367	S	4/2015 Renski et al.
D252,461	S	7/1979 Korpi	D727,368	S	4/2015 Renski et al.
4,182,057	A	1/1980 Klett et al.	D727,369	S	4/2015 Renski et al.
D255,119	S	5/1980 Korpi	D727,979	S	4/2015 Renski et al.
4,231,173	A	11/1980 Davis	D727,980	S	4/2015 Renski et al.
D275,859	S	10/1984 Nilsson	D727,981	S	4/2015 Renski et al.
4,481,728	A	11/1984 Mulder et al.	D727,982	S	4/2015 Renski et al.
4,516,340	A	5/1985 Launder	D728,635	S	5/2015 Kunz
D296,442	S	6/1988 Broomhall	D728,636	S	5/2015 Kunz
4,761,900	A	8/1988 Emrich	D728,637	S	5/2015 Kunz
4,776,113	A	10/1988 Bedford et al.	9,062,436	B2	6/2015 Renski et al.
4,848,013	A	7/1989 Bowman et al.	D748,681	S	2/2016 Renski et al.
4,932,145	A	6/1990 Reeves	D748,682	S	2/2016 Renski et al.
4,949,481	A	8/1990 Fellner	D748,684	S	2/2016 Renski et al.
4,965,945	A	10/1990 Emrich	D748,685	S	2/2016 Kunz
4,980,980	A	1/1991 Schadov et al.	D749,146	S	2/2016 Renski et al.
5,018,283	A	5/1991 Fellner	D749,147	S	2/2016 Kunz
D336,476	S	6/1993 Garman	D761,883	S	7/2016 Kunz
D339,592	S	9/1993 Johansson	2004/0010949	A1	1/2004 Laguarda et al.
D345,364	S	3/1994 Robinson	2008/0028644	A1	2/2008 Almendros et al.
D352,044	S	11/1994 Hahn	2012/0131821	A1	5/2012 Brufau Guinovart et al.
5,423,138	A	6/1995 Livesay et al.	2012/0260540	A1	10/2012 Guimaraes et al.
D365,577	S	12/1995 Ruvang	2012/0297649	A1	11/2012 Gomar
5,561,925	A	10/1996 Livesay	2013/0086825	A1	4/2013 Renski et al.
D385,286	S	10/1997 Moreno	2013/0185964	A1	7/2013 Anisy et al.
5,709,043	A	1/1998 Jones et al.	2013/0333254	A1	12/2013 Wallis et al.
D391,583	S	3/1998 Moreno	2014/0259806	A1	9/2014 Rimmey
D392,292	S	3/1998 Moreno	2014/0259808	A1	9/2014 LaHood et al.
D395,661	S	6/1998 Moreno	2015/0167278	A1	6/2015 Rivera et al.
5,806,216	A	9/1998 Renski			
D399,511	S	10/1998 Launder et al.			
5,852,888	A	12/1998 Cornelius	CL	1193-1999	9/1999
D408,422	S	4/1999 Moreno	CL	223-1999	11/1999
D410,657	S	6/1999 Launder et al.	CL	1457-1999	11/1999
D413,338	S	8/1999 Pueyo Molina	CL	1583-1999	6/2000
5,937,550	A	8/1999 Emrich	CL	2671-2005	7/2006
D414,193	S	9/1999 Launder et al.	CL	3115-2005	9/2006
D415,173	S	10/1999 Zaun	CL	3116-2005	9/2006
5,983,534	A	11/1999 Robinson et al.	CL	173-2008	8/2008
D417,877	S	12/1999 Launder et al.	CL	174-2008	8/2008
D429,256	S	8/2000 Zaun	CL	2524-2008	1/2009
D429,258	S	8/2000 Zaun	CL	1764-2008	7/2009
6,321,471	B2	11/2001 Fernandez Muñoz et al.	CL	618-2010	11/2010
D454,891	S	3/2002 Ketting et al.	CL	739-2010	12/2010
D460,464	S	7/2002 Ketting et al.	CL	291-2012	11/2012
D461,198	S	8/2002 Ketting et al.	EM 000089099-0001-0003		10/2003
D461,832	S	8/2002 Ketting et al.	EM 000877477-0001-0009		1/2008
6,477,796	B1	11/2002 Cornelius	EM 000895396-0001-0015		3/2008
6,735,890	B2	5/2004 Carpenter et al.	EP	0 411 486 A1	2/1991
6,745,503	B1	6/2004 Moreno et al.	EP	2 011 927 A2	1/2009
6,766,602	B2	7/2004 Cox et al.	GB	1049195	3/1988
D499,749	S	12/2004 Launder et al.	GB	1050103	4/1988
6,836,983	B2	1/2005 Moreno et al.	GB	2010025	4/1990
6,865,828	B1	3/2005 Molino et al.	GB	2010026	4/1990
6,871,426	B2	3/2005 Keech et al.	GB	2057051	12/1995
D505,137	S	5/2005 Steinlage et al.	GB	2057052	12/1995
D512,078	S	11/2005 Poutre	GB	2057053	12/1995
D527,029	S	8/2006 Launder et al.	GB	2060104	4/1996
7,100,315	B2	9/2006 Carpenter et al.	GB	2060105	4/1996
7,168,193	B2	1/2007 Moreno et al.	GB	2057055	5/1996
D552,632	S	10/2007 De Martiis	GB	2091441	10/1999
D560,232	S	1/2008 De Martiis	GB	2091502	10/1999
7,367,144	B2	5/2008 Jones et al.	GB	2095654	3/2000
			GB	2097590	3/2000
			GB	2097591	4/2000
			GB	2097592	4/2000

(56)

References Cited

FOREIGN PATENT DOCUMENTS

GB	2097593	5/2000
GB	2104929	3/2001
GB	2106421	4/2001

OTHER PUBLICATIONS

Caterpillar Inc., "Cat Backhoe Loader Options," published Jan. 1, 2005.

U.S. Appl. No. 29/524,183, filed Apr. 17, 2015. (Unpublished).

U.S. Appl. No. 29/536,033, filed Aug. 12, 2015. (Unpublished).

U.S. Appl. No. 29/536,022, filed Aug. 12, 2015. (Unpublished).

U.S. Appl. No. 29/536,024, filed Aug. 12, 2015. (Unpublished).

U.S. Appl. No. 29/536,032, filed Aug. 12, 2015. (Unpublished).

U.S. Appl. No. 29/536,019, filed Aug. 12, 2015. (Unpublished).

U.S. Appl. No. 29/536,027, filed Aug. 12, 2015. (Unpublished).

U.S. Appl. No. 29/536,030, filed Aug. 12, 2015. (Unpublished).

U.S. Appl. No. 29/536,035, filed Aug. 12, 2015. (Unpublished).

U.S. Appl. No. 29/536,029, filed Aug. 12, 2015. (Unpublished).

U.S. Appl. No. 29/536,026, filed Aug. 12, 2015. (Unpublished).

U.S. Appl. No. 29/536,034, filed Aug. 12, 2015. (Unpublished).

U.S. Appl. No. 14/824,655, filed Aug. 12, 2015. (Unpublished).

U.S. Appl. No. 14/824,749, filed Aug. 12, 2015. (Unpublished).

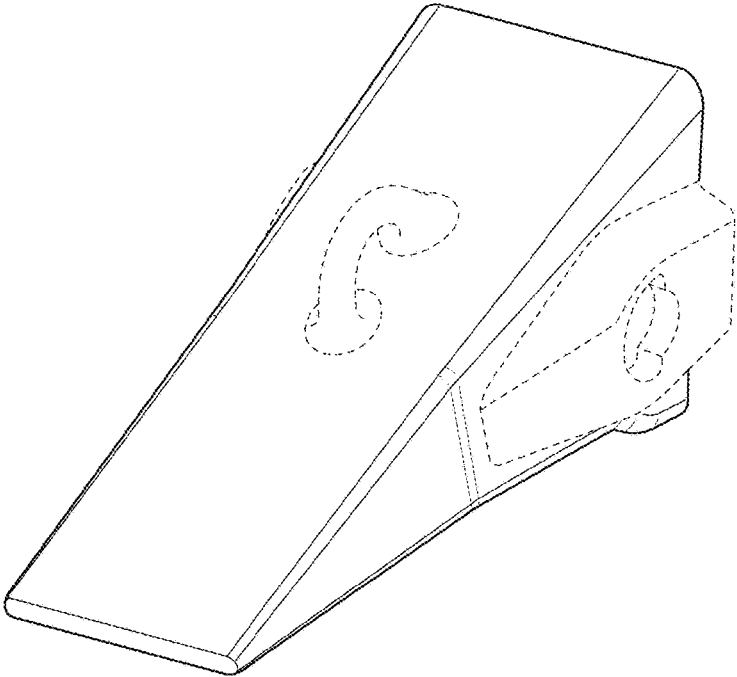


FIG. 1

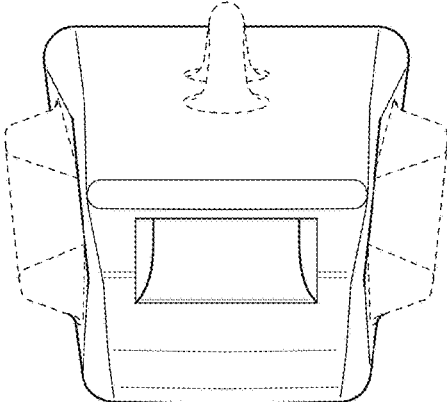


FIG. 2

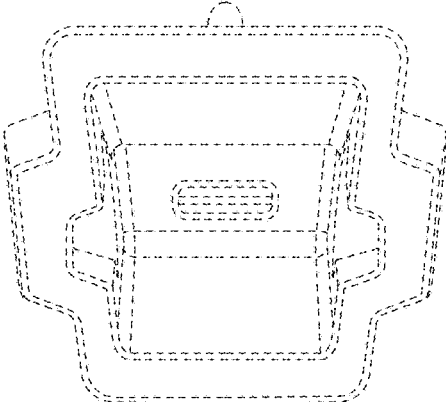


FIG. 3

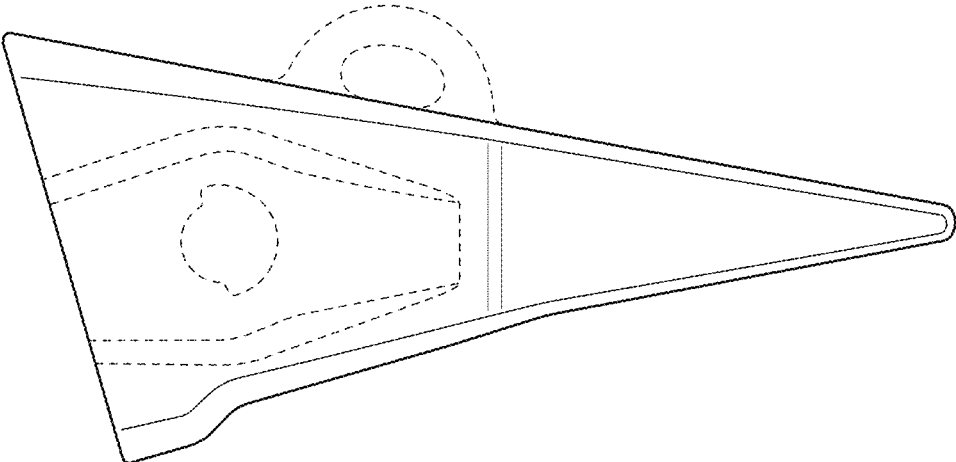


FIG. 4

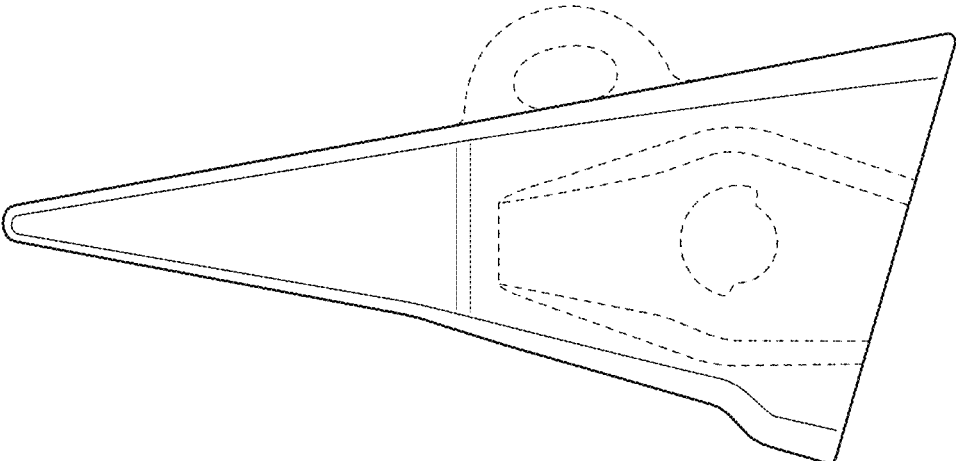


FIG. 5

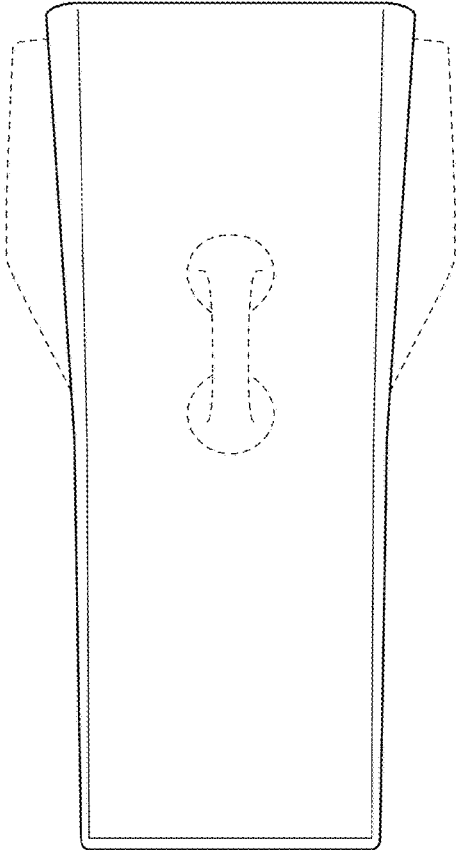


FIG. 6

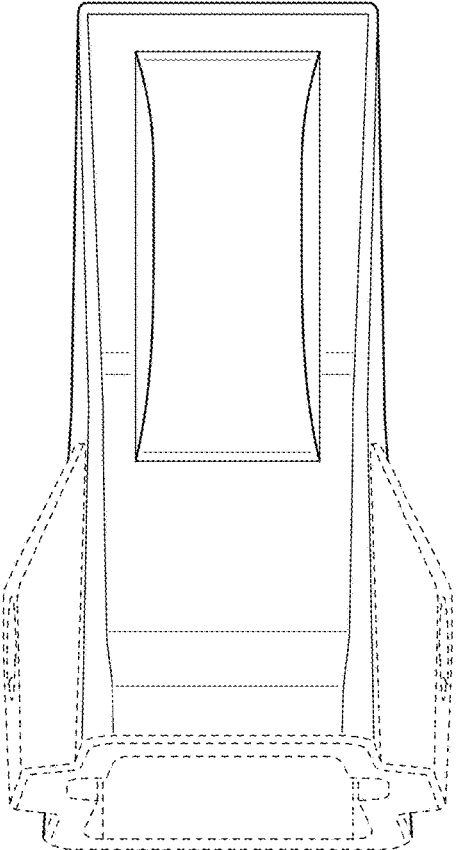


FIG. 7

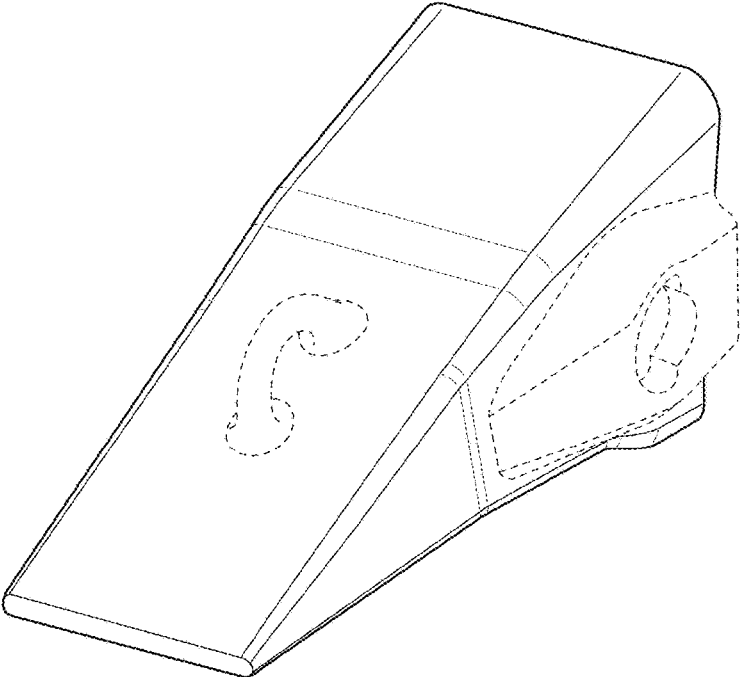


FIG. 8

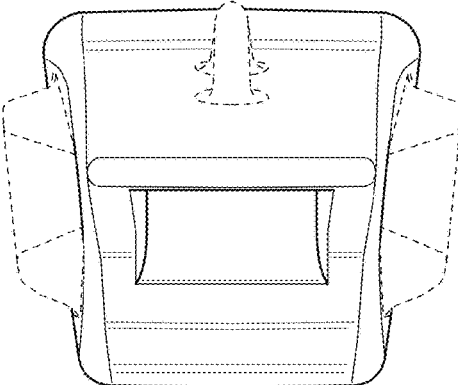


FIG. 9

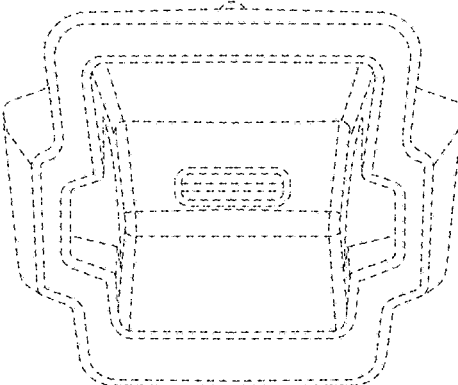


FIG. 10

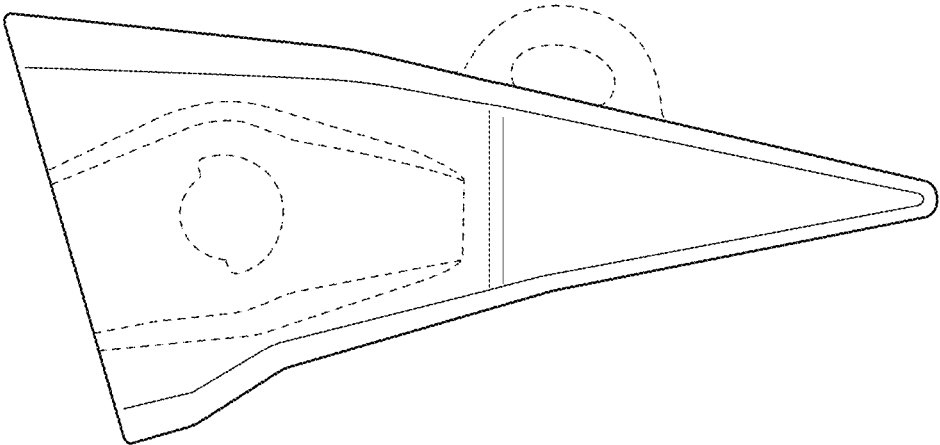


FIG. 11

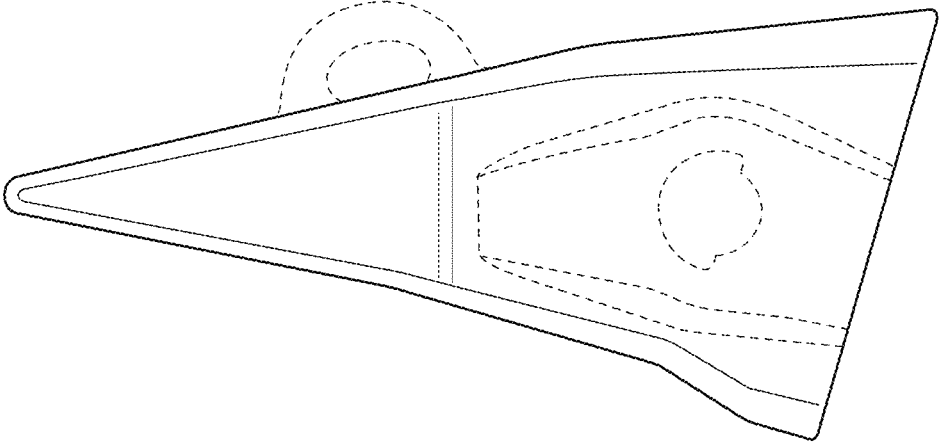


FIG. 12

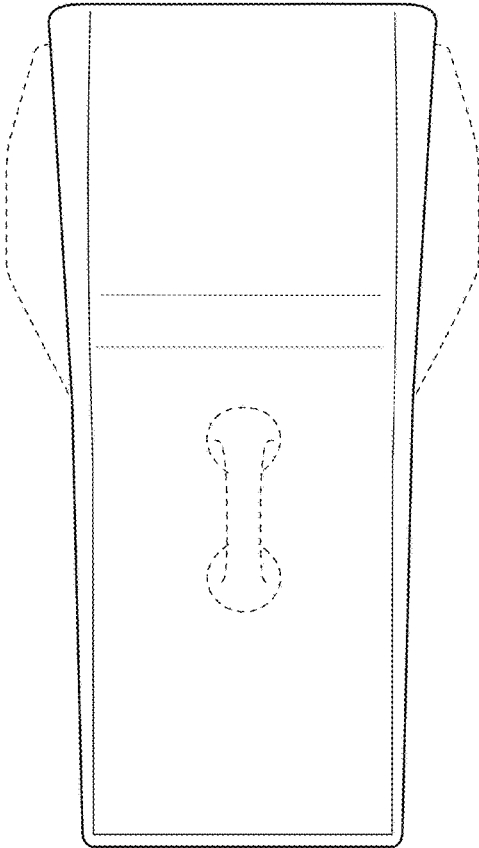


FIG. 13

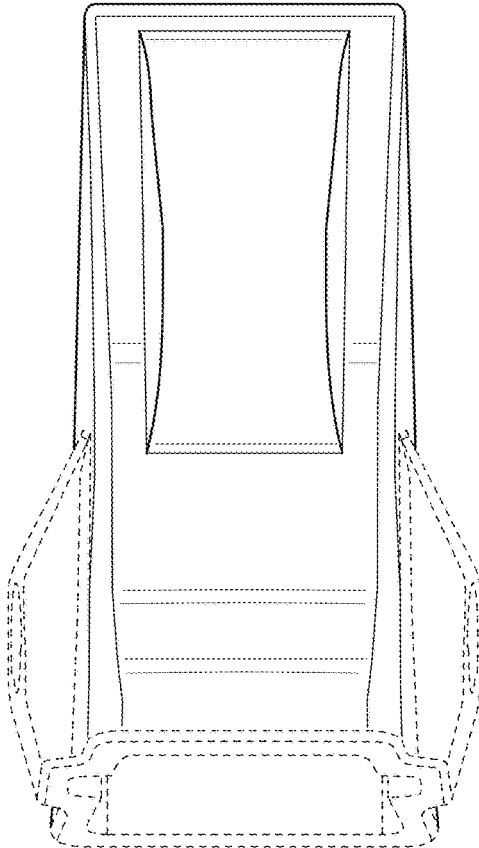


FIG. 14