



(12) **United States Design Patent**  
**Cheney**

(10) **Patent No.:** **US D875,715 S**  
(45) **Date of Patent:** **\*\* Feb. 18, 2020**

(54) **WIRELESS SPEAKER**

(71) Applicant: **Zagg Amplified, Inc.**, Midvale, UT (US)  
(72) Inventor: **John Craig Cheney**, Orem, UT (US)  
(73) Assignee: **ZAGG Amplified, Inc.**, Salt Lake City, UT (US)  
(\*\*) Term: **15 Years**

(21) Appl. No.: **29/613,881**  
(22) Filed: **Aug. 14, 2017**

**Related U.S. Application Data**

(63) Continuation of application No. 29/550,464, filed on Jan. 4, 2016, now Pat. No. Des. 794,604.  
(51) **LOC (12) Cl.** ..... **14-01**  
(52) **U.S. Cl.**  
USPC ..... **D14/210**; D14/204  
(58) **Field of Classification Search**  
USPC ..... D14/167, 168, 170–172, 188, 194–198, D14/204, 207, 209.1, 210–216, 219, 221, D14/222, 224, 496; 181/143, 144, 147, 181/148, 150, 153, 157, 198, 199; 369/6–12; 381/300–303, 306, 332–334, 381/336, 345, 361–364, 386–388  
CPC ..... B60R 11/0217; G06F 1/1688; G10K 9/22; G10K 11/004; H03F 1/327; H04M 1/03; H04M 1/035; H04N 5/642; H04N 21/4852; H04S 3/00; H04S 7/30; H04R 1/02; H04R 1/06; H04R 1/021; H04R 1/025; H04R 1/026; H04R 1/028; H04R 1/105; H04R 1/323; H04R 1/403; H04R 1/2803; H04R 1/2834; H04R 5/02; H04R 7/20; H04R 9/06; H04R 9/025; H04R 2201/021; H04R 2400/00; H04R 2400/07; H04R 2499/11; H04R 2499/13; H04R 2499/15

See application file for complete search history.

(56) **References Cited**

**U.S. PATENT DOCUMENTS**

D222,814 S 1/1972 Teller  
D321,515 S 11/1991 Harris  
D373,208 S 8/1996 Yuen  
D516,538 S 3/2006 Hibi  
D524,287 S 7/2006 Hibi  
D538,782 S 3/2007 Ishibashi  
(Continued)

**OTHER PUBLICATIONS**

Waterproof Bluetooth Speaker, 40W Portable Wireless Speaker & Power Bank, Amazon.com, Date first listed on Amazon: Oct. 9, 2018, [online], [site visited May 23, 2019]. URL: <https://www.amazon.com/dp/B07JVG76B7?axitk=FIHx15PN.w2I84A0d415yw> (Year: 2018).\*  
(Continued)

*Primary Examiner* — T Chase Nelson  
*Assistant Examiner* — Jonathan J. Han  
(74) *Attorney, Agent, or Firm* — Durham Jones & Pinegar; Sarah W. Matthews

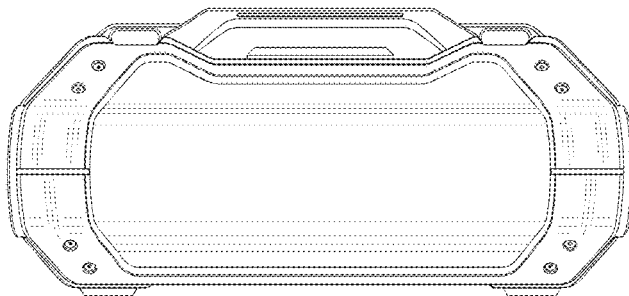
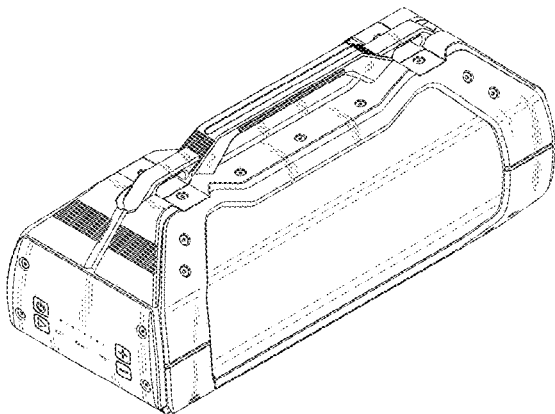
(57) **CLAIM**

The ornamental design for a wireless speaker, as shown and described.

**DESCRIPTION**

FIG. 1 is a front perspective view of a wireless speaker.  
FIG. 2 is a front view thereof.  
FIG. 3 is a rear view thereof.  
FIG. 4 is a left side view thereof.  
FIG. 5 is a right side view thereof.  
FIG. 6 is a top view thereof; and,  
FIG. 7 is a bottom view thereof.  
The broken lines in the drawings illustrate portions of the wireless speaker which form no part of the claimed design.

**1 Claim, 6 Drawing Sheets**



(56)

## References Cited

## U.S. PATENT DOCUMENTS

D552,081	S	10/2007	Yano	
D556,737	S	12/2007	Oh	
D594,845	S *	6/2009	Skurdal	D10/2
D609,216	S *	2/2010	Davies	D14/214
D619,116	S *	7/2010	Skurdal	D10/2
D636,332	S	4/2011	Hsu	
D638,400	S	5/2011	Hawkins	
D642,156	S *	7/2011	Joseph	D14/209.1
D642,555	S *	8/2011	Hawkins	D14/214
D653,652	S	2/2012	Kroyer	
D670,677	S	11/2012	Pfeifer	
D676,830	S	2/2013	Garrett	
D677,244	S *	3/2013	Funayama	D14/209.1
D718,741	S *	12/2014	Lui	D14/216
D726,142	S	4/2015	Itoh et al.	
D726,685	S	4/2015	Cheng	
D727,874	S *	4/2015	Christner	D14/210
D734,738	S *	7/2015	Jackson	D14/214
D735,168	S *	7/2015	Cheng	D14/209.1
D736,746	S	8/2015	Cheng et al.	
D743,936	S	11/2015	Cloarec et al.	
D752,558	S *	3/2016	Cheng	D14/217
D753,093	S	4/2016	Garfio et al.	
D755,754	S	5/2016	Schwartz	
D771,592	S	11/2016	Cloarec et al.	
D772,093	S *	11/2016	Kruska	D10/119.1
D777,147	S *	1/2017	Cheng	D14/209.1
D789,329	S *	6/2017	Tse	D14/204
D793,993	S *	8/2017	Song	D14/214
D794,604	S *	8/2017	Cheney	D14/204
D803,189	S *	11/2017	Cheney	D14/214
D807,324	S *	1/2018	Cheney	D14/214
9,883,265	B2 *	1/2018	Cheney	H04R 1/02
D812,591	S *	3/2018	Hu	D14/214
D817,925	S *	5/2018	Jang	D14/214
D821,358	S *	6/2018	Garfio	D14/214
D822,000	S *	7/2018	Lin	D14/214
D822,634	S *	7/2018	Zaihui	D14/204
D831,002	S *	10/2018	Distefano	D14/216
D835,601	S *	12/2018	Cheney	D14/204
D836,603	S *	12/2018	Warden	D14/214
D838,686	S *	1/2019	Cheney	D14/204
D840,966	S *	2/2019	Cheney	D14/204
D843,966	S *	3/2019	Cheney	D14/204
2016/0198247	A1 *	7/2016	Cheney	H04R 1/02 381/334

## OTHER PUBLICATIONS

Volkano X Supersonic Series Bluetooth Speaker—Black, Takealot.com, [online], [site visited May 23, 2019]. URL: <https://www.takealot.com/volkano-x-supersonic-series-bluetooth-speaker-black/PLID49300167> (Year: 2019).\*

iDeaPlay Waterproof wireless Bluetooth Action series speaker & powerbank, IntelliShopper.com, [online], [site visited May 23, 2019]. URL: <https://intellishoppers.com/product/ideaplay-waterproof-wireless-bluetooth-action-series-speaker-powerbank/> (Year: 2019).\*  
Wharfedale Wireless Bluetooth Speakers 5000mAh Battery Power Bank Outdoor Portable IPX7 Waterproof Speaker, Amazon.com, Date first listed on Amazon: Nov. 15, 2018, [online], [site visited May 23, 2019]. URL: [https://www.amazon.com/dp/B07KKBY68M/ref=sspa\\_dk\\_detail\\_1?psc=1](https://www.amazon.com/dp/B07KKBY68M/ref=sspa_dk_detail_1?psc=1) (Year: 2018).\*

Jesse Hollington, “Braven intros new speakers at CES, including the BRV-XXL and BRV-BLADE LE,” <http://www.ilounge.com/index.php/news/comments/braven-intros-new-speakers-at-ces-including-the-brv-xxl-and-brv-blade-le>.

Lounge—Braven BRV-XXL, [site visited by examiner Mar. 31, 2017]. Available from URL: <http://www.ilounge.com/index.php/reviews/entry/braven-brv-xxl-bluetoothspeaker>.

Android Spin—Braven BRV-X, [site visited by examiner Mar. 31, 2017]. Available from URL: <http://www.androidspin.com/2015/07/08/braven-brv-x-a-must-have-summer-bluetooth-speaker-essential-review/>.

Sound Guys—Braven BRV-X, [site visited by examiner Mar. 31, 2017]. Available from URL: <http://www.soundguys.com/braven-bry-x-review-834/>.

\* cited by examiner

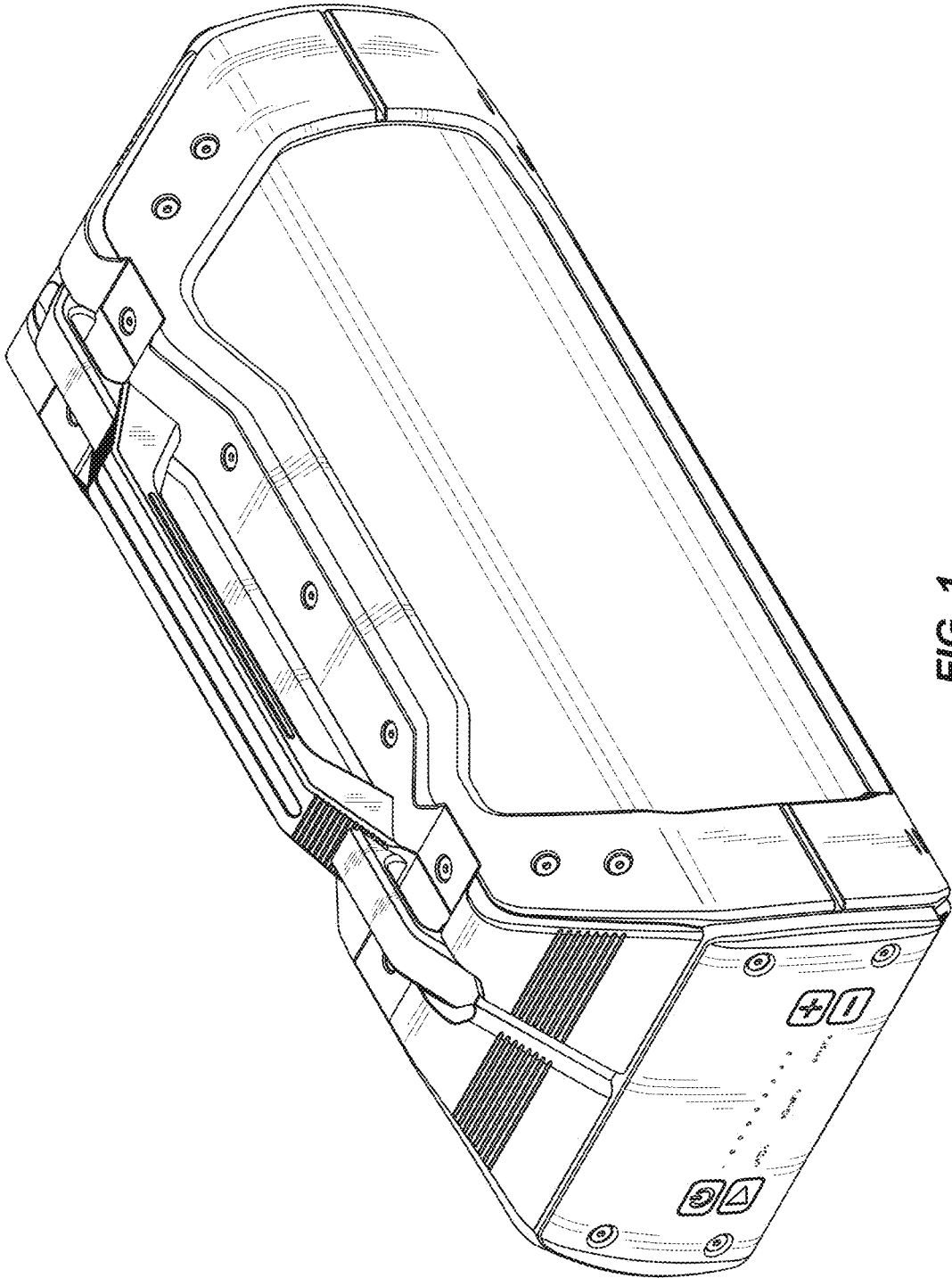


FIG. 1

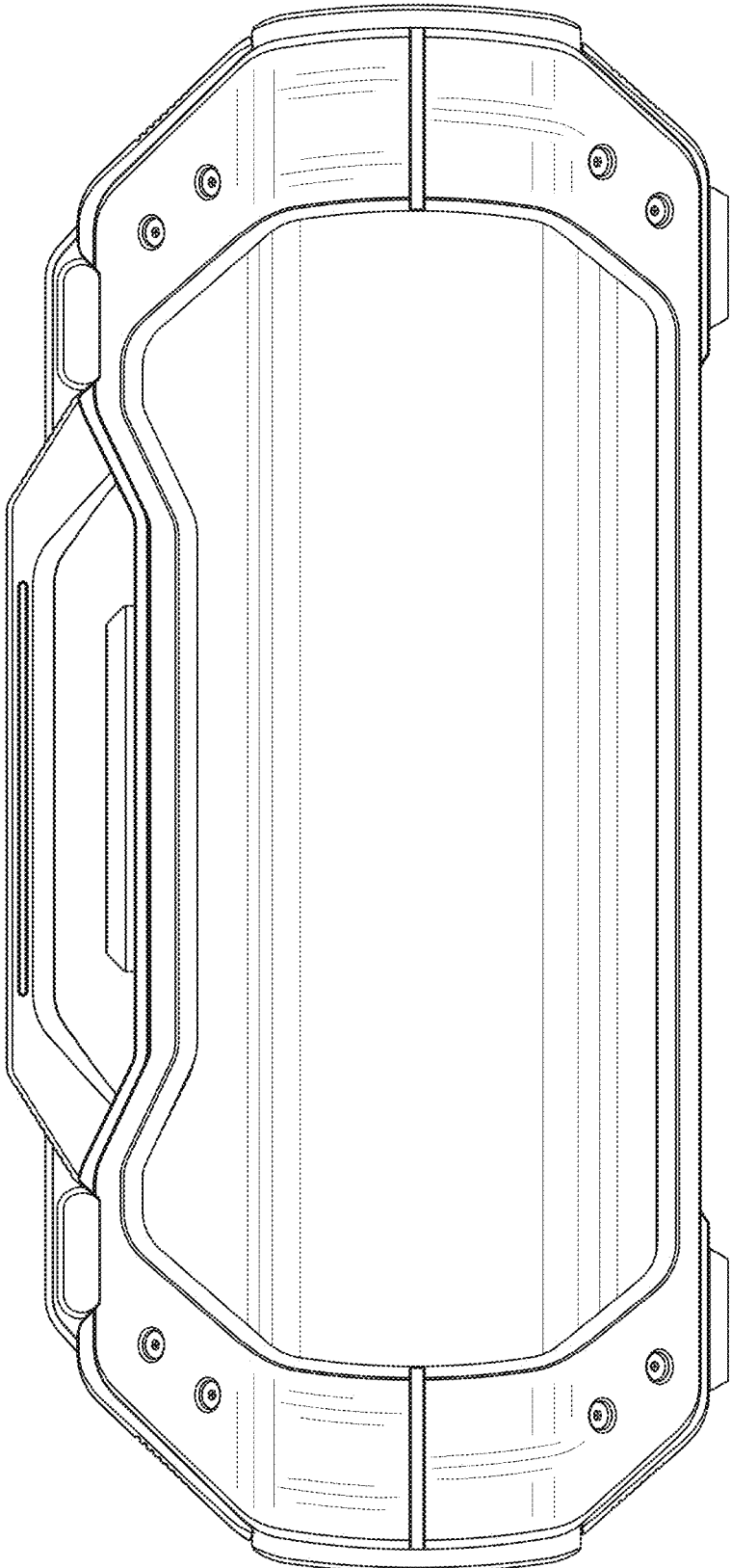


FIG. 2

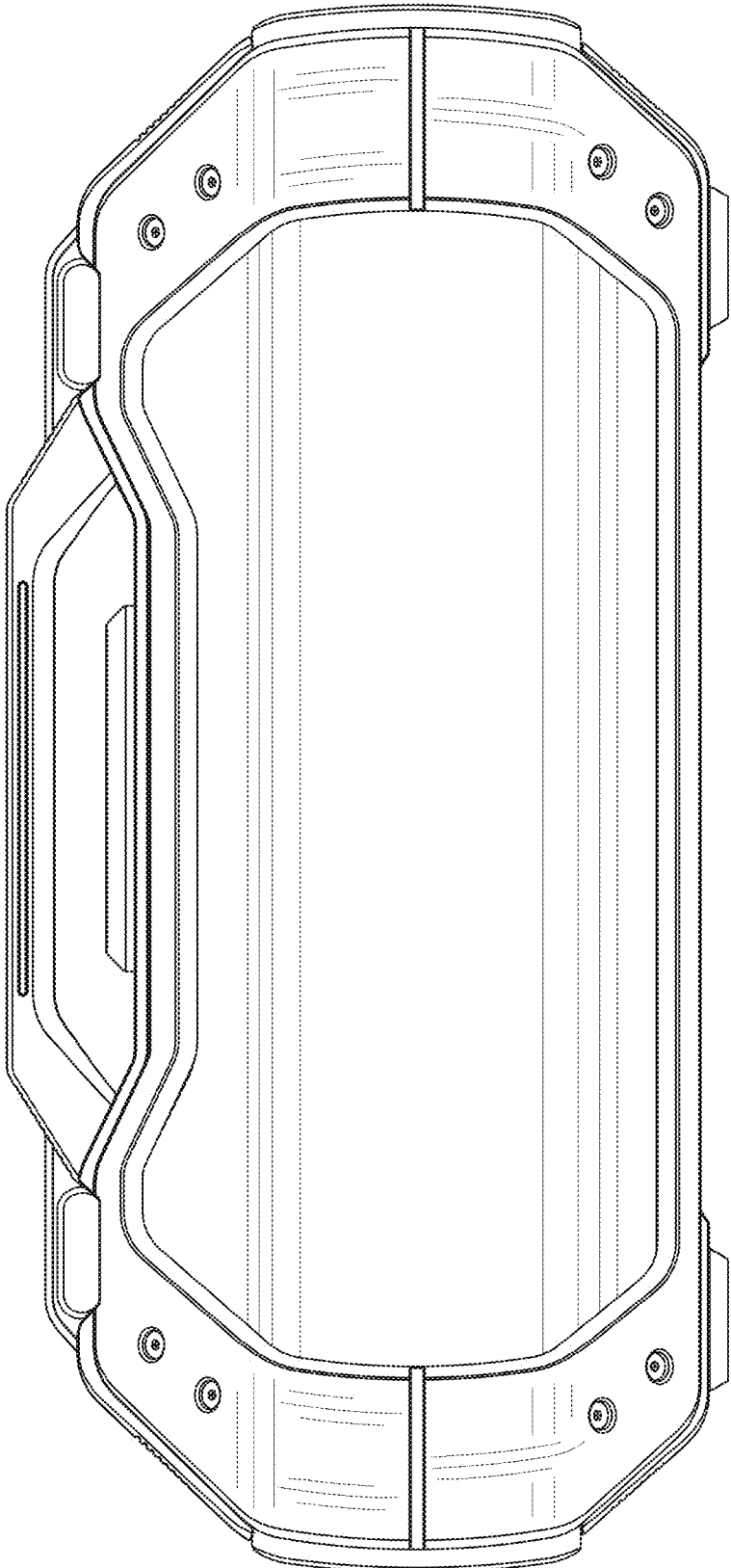


FIG. 3

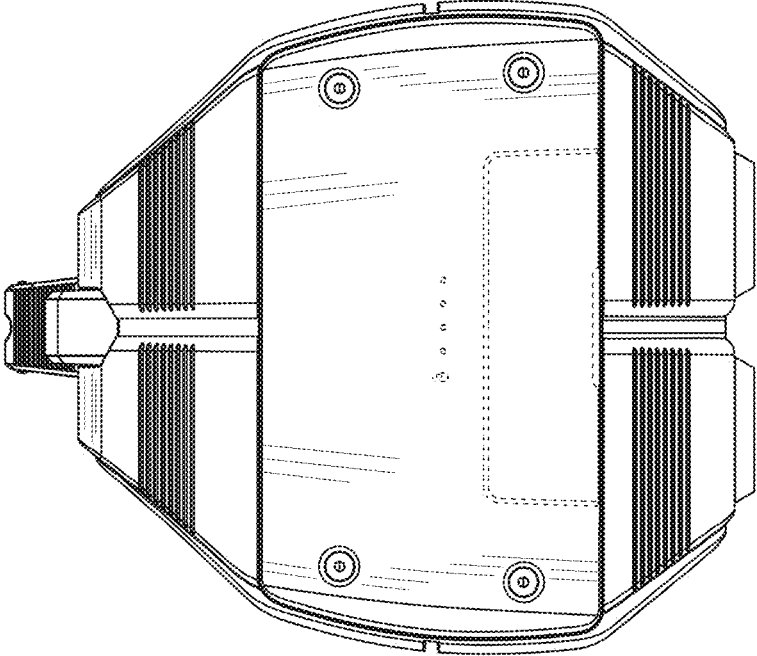


FIG. 5

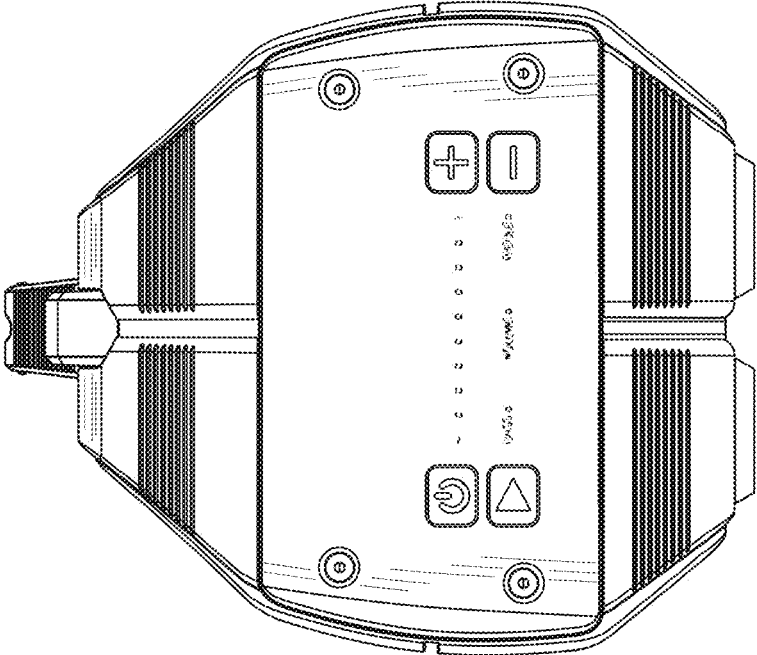


FIG. 4

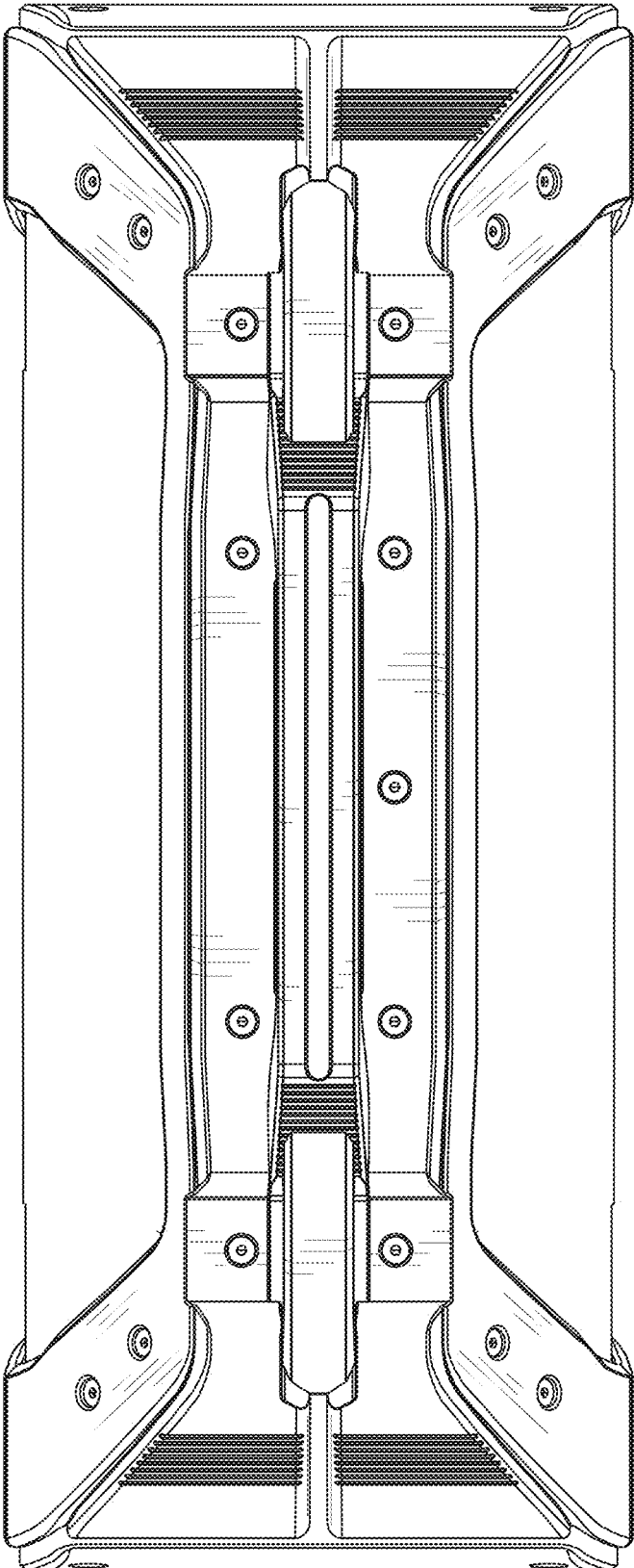


FIG. 6

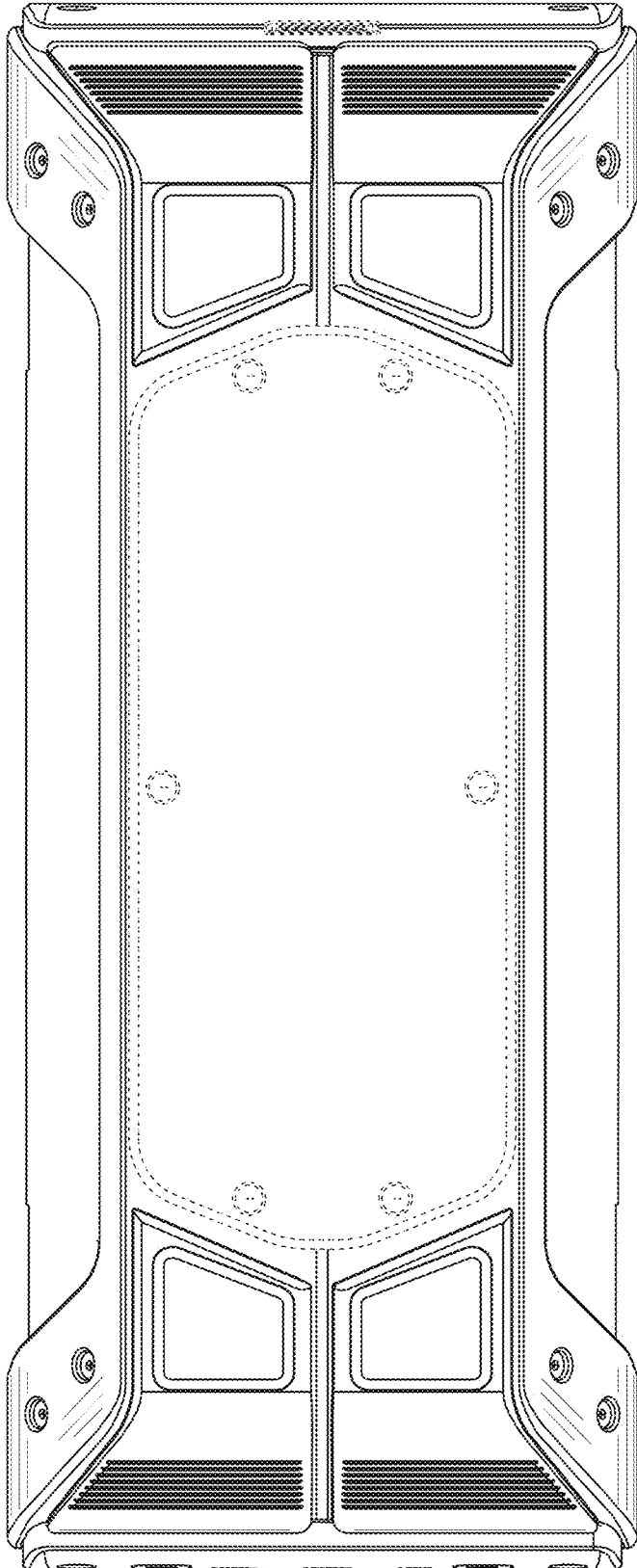


FIG. 7