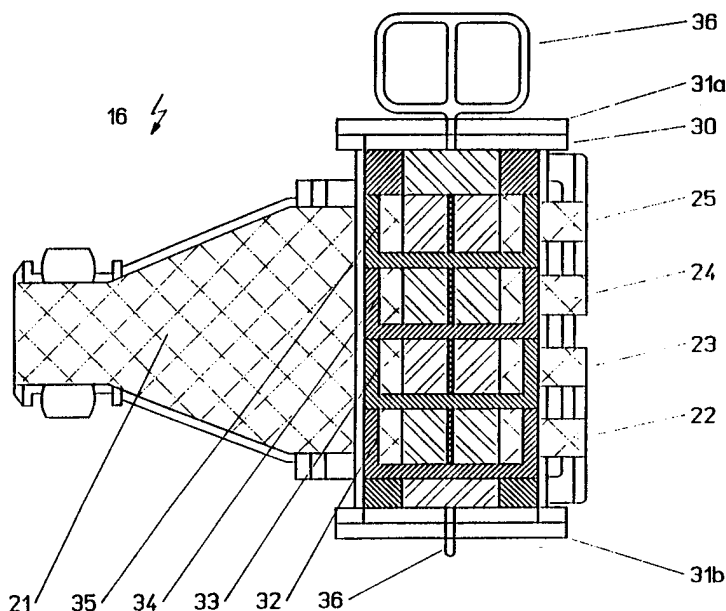




## INTERNATIONAL APPLICATION PUBLISHED UNDER THE PATENT COOPERATION TREATY (PCT)

<p>(51) International Patent Classification <sup>6</sup> : <b>G01F 3/06, 11/22, 11/02, 13/00, F04C 11/00, A22C 11/08, A21C 3/04, 11/16</b></p>	<p><b>A3</b></p>	<p>(11) International Publication Number: <b>WO 98/22206</b></p> <p>(43) International Publication Date: 28 May 1998 (28.05.98)</p>
<p>(21) International Application Number: PCT/EP97/06456</p> <p>(22) International Filing Date: 19 November 1997 (19.11.97)</p> <p>(30) Priority Data: 08/754,554 21 November 1996 (21.11.96) US</p> <p>(71) Applicant: VEMAG MASCHINEN- UND ANLAGENBAU GMBH [DE/DE]; Weserstrasse 32, D-27283 Verden (DE).</p> <p>(72) Inventor: COLE, Russell, H.; 16 Francis Road, Sharon, MA 02067 (US).</p> <p>(74) Agent: SPEISER, Dieter, K.; Eisenführ, Speiser &amp; Partner, Martinistrasse 24, D-28195 Bremen (DE).</p>		<p>(81) Designated States: JP, PL, European patent (AT, BE, CH, DE, DK, ES, FI, FR, GB, GR, IE, IT, LU, MC, NL, PT, SE).</p> <p><b>Published</b> <i>With international search report. Before the expiration of the time limit for amending the claims and to be republished in the event of the receipt of amendments.</i></p> <p>(88) Date of publication of the international search report: 9 July 1998 (09.07.98)</p>

(54) Title: MULTI-OUTLET DEPOSITOR



## (57) Abstract

A multi-outlet depositor receives fluid material and displaces first and second portions of the material using first and second mechanisms, respectively, that are coupled together in a manner that causes volume of the first portion to vary according to volume of the second portion. The first portion may equal the second portion. The first and second mechanisms may be coupled using a bolt. The multi-outlet depositor may also include an output for providing the first and second portions. The first and second mechanisms may include positive displacement vane pumps. Each of said vane pumps may include a hub/chamber assembly having a hub and a plurality of vanes disposed within a cylinder. The hub/chamber assembly may have two vanes that interlock and are displaceable along their longitudinal axes.

**FOR THE PURPOSES OF INFORMATION ONLY**

Codes used to identify States party to the PCT on the front pages of pamphlets publishing international applications under the PCT.

AL	Albania	ES	Spain	LS	Lesotho	SI	Slovenia
AM	Armenia	FI	Finland	LT	Lithuania	SK	Slovakia
AT	Austria	FR	France	LU	Luxembourg	SN	Senegal
AU	Australia	GA	Gabon	LV	Latvia	SZ	Swaziland
AZ	Azerbaijan	GB	United Kingdom	MC	Monaco	TD	Chad
BA	Bosnia and Herzegovina	GE	Georgia	MD	Republic of Moldova	TG	Togo
BB	Barbados	GH	Ghana	MG	Madagascar	TJ	Tajikistan
BE	Belgium	GN	Guinea	MK	The former Yugoslav Republic of Macedonia	TM	Turkmenistan
BF	Burkina Faso	GR	Greece	ML	Mali	TR	Turkey
BG	Bulgaria	HU	Hungary	MN	Mongolia	TT	Trinidad and Tobago
BJ	Benin	IE	Ireland	MR	Mauritania	UA	Ukraine
BR	Brazil	IL	Israel	MW	Malawi	UG	Uganda
BY	Belarus	IS	Iceland	MX	Mexico	US	United States of America
CA	Canada	IT	Italy	NE	Niger	UZ	Uzbekistan
CF	Central African Republic	JP	Japan	NL	Netherlands	VN	Viet Nam
CG	Congo	KE	Kenya	NO	Norway	YU	Yugoslavia
CH	Switzerland	KG	Kyrgyzstan	NZ	New Zealand	ZW	Zimbabwe
CI	Côte d'Ivoire	KP	Democratic People's Republic of Korea	PL	Poland		
CM	Cameroon	KR	Republic of Korea	PT	Portugal		
CN	China	KZ	Kazakstan	RO	Romania		
CU	Cuba	LC	Saint Lucia	RU	Russian Federation		
CZ	Czech Republic	LI	Liechtenstein	SD	Sudan		
DE	Germany	LK	Sri Lanka	SE	Sweden		
DK	Denmark	LR	Liberia	SG	Singapore		
EE	Estonia						

# INTERNATIONAL SEARCH REPORT

International Application No  
PCT/EP 97/06456

<b>A. CLASSIFICATION OF SUBJECT MATTER</b>				
IPC 6	G01F3/06	G01F11/22	G01F11/02	G01F13/00
	A22C11/08	A21C3/04	A21C11/16	F04C11/00
According to International Patent Classification (IPC) or to both national classification and IPC				

<b>B. FIELDS SEARCHED</b>
Minimum documentation searched (classification system followed by classification symbols)
IPC 6 G01F F04C A22C A21C

Documentation searched other than minimum documentation to the extent that such documents are included in the fields searched

Electronic data base consulted during the international search (name of data base and, where practical, search terms used)

**C. DOCUMENTS CONSIDERED TO BE RELEVANT**

Category	Citation of document, with indication, where appropriate, of the relevant passages	Relevant to claim No.
X	DE 39 23 454 A (EGGERS THIES) 24 January 1991	1-3,6,7, 10,11, 13-16
Y	see the whole document	8,9,17
A	---	18
X	DE 34 26 029 A (VOGELSSANG HUGO FASS MASCH) 23 January 1986 see page 5, paragraph 2 see page 7, line 10 - line 31 see page 8, line 36 - page 9, line 3 see page 9, line 24 - line 28; figure 1	1-3,6,7, 13
X	DE 195 17 127 A (FREY HEINRICH MASCHINENBAU) 14 November 1996	1-4,6, 13-15
Y	see the whole document	5,8,9
	---	
	-/--	

<input checked="" type="checkbox"/> Further documents are listed in the continuation of box C.	<input checked="" type="checkbox"/> Patent family members are listed in annex.
--	--

Special categories of cited documents :

<p>"A" document defining the general state of the art which is not considered to be of particular relevance</p> <p>"E" earlier document but published on or after the international filing date</p> <p>"L" document which may throw doubts on priority claim(s) or which is cited to establish the publication date of another citation or other special reason (as specified)</p> <p>"O" document referring to an oral disclosure, use, exhibition or other means</p> <p>"P" document published prior to the international filing date but later than the priority date claimed</p>	<p>"T" later document published after the international filing date or priority date and not in conflict with the application but cited to understand the principle or theory underlying the invention</p> <p>"X" document of particular relevance; the claimed invention cannot be considered novel or cannot be considered to involve an inventive step when the document is taken alone</p> <p>"Y" document of particular relevance; the claimed invention cannot be considered to involve an inventive step when the document is combined with one or more other such documents, such combination being obvious to a person skilled in the art.</p> <p>"&amp;" document member of the same patent family</p>
--	--

Date of the actual completion of the international search	Date of mailing of the international search report
18 May 1998	25/05/1998

Name and mailing address of the ISA European Patent Office, P.B. 5818 Patentlaan 2 NL - 2280 HV Rijswijk Tel. (+31-70) 340-2040, Tx. 31 651 epo nl, Fax: (+31-70) 340-3016	Authorized officer  Pflugfelder, G
--	--

INTERNATIONAL SEARCH REPORT

International Application No  
PCT/EP 97/06456

C.(Continuation) DOCUMENTS CONSIDERED TO BE RELEVANT		
Category	Citation of document, with indication, where appropriate, of the relevant passages	Relevant to claim No.
X	US 3 784 335 A (CEVERA J) 8 January 1974 see column 4, line 25 - column 5, line 2; figures	1,2
Y	EP 0 061 995 A (HOEGGER & CIE AG C) 6 October 1982 see page 13, last paragraph; figures 6,7	5
A	DE 89 14 705 U (A.HANDTMANN) 30 August 1990 see page 6, paragraph 2 - last paragraph; figures 2-4	5
Y	US 4 830 230 A (POWERS RICHARD G) 16 May 1989 see column 6, line 22 - column 7, line 14; figures 3-5	17
A	US 5 513 779 A (REICH LEON) 7 May 1996 see column 3, line 20 - line 38; figure 2	1
A	US 5 509 575 A (GILLETTE HAROLD R) 23 April 1996 see column 2, line 29 - line 56; figures 1,2	1

# INTERNATIONAL SEARCH REPORT

Information on patent family members

International Application No

PCT/EP 97/06456

Patent document cited in search report	A	Publication date	Patent family member(s)	Publication date
DE 3923454	A	24-01-1991	NONE	
DE 3426029	A	23-01-1986	DK 309085 A EP 0170039 A	15-01-1986 05-02-1986
DE 19517127	A	14-11-1996	NONE	
US 3784335	A	08-01-1974	NONE	
EP 0061995	A	06-10-1982	NONE	
DE 8914705	U	30-08-1990	CA 2030854 A CS 9006089 A DE 59004606 D EP 0432388 A ES 2049382 T JP 2515052 B JP 3189391 A SU 1828518 A US 5102314 A	15-06-1991 15-09-1991 24-03-1994 19-06-1991 16-04-1994 10-07-1996 19-08-1991 15-07-1993 07-04-1992
US 4830230	A	16-05-1989	NONE	
US 5513779	A	07-05-1996	AT 165912 T EP 0656528 A	15-05-1998 07-06-1995
US 5509575	A	23-04-1996	NONE	