



US00D944172S

(12) **United States Design Patent**
Mukti

(10) **Patent No.:** **US D944,172 S**

(45) **Date of Patent:** **** Feb. 22, 2022**

(54) **VEHICLE WHEEL**

(71) Applicant: **Quarsa, LLC**, Chino, CA (US)

(72) Inventor: **Ali Mukti**, Surabaya (ID)

(73) Assignee: **Quarsa, LLC**, Chino, CA (US)

(**) Term: **15 Years**

(21) Appl. No.: **29/758,784**

(22) Filed: **Nov. 18, 2020**

(51) **LOC (13) Cl.** **12-16**

(52) **U.S. Cl.**
USPC **D12/209**

(58) **Field of Classification Search**
USPC D12/204–213; D21/563
CPC B60B 7/00; B60B 7/02; B60B 7/04; B60B
7/01; B60B 7/06; B60B 3/02; B60B 3/04;
B60B 3/06; B60B 3/10; B60B 1/00;
B60B 1/08; B60B 1/10; B60B 1/12
See application file for complete search history.

(56) **References Cited**

U.S. PATENT DOCUMENTS

D670,226 S * 11/2012 Muller D12/211
D726,087 S * 4/2015 Breyton D12/211

D755,101 S * 5/2016 Gallert D12/211
D765,007 S * 8/2016 Chung D12/211
D823,225 S * 7/2018 Chung D12/211
D837,710 S * 1/2019 Chung D12/209
D860,914 S * 9/2019 Han D12/211
D884,573 S * 5/2020 Kraljevic D12/209
D886,021 S * 6/2020 Khachatryan D12/209
D889,373 S * 7/2020 Hodges D12/211
D908,065 S * 1/2021 Mukti D12/209

* cited by examiner

Primary Examiner — Stacia A Cadmus

(74) *Attorney, Agent, or Firm* — Snell & Wilmer L.L.P.

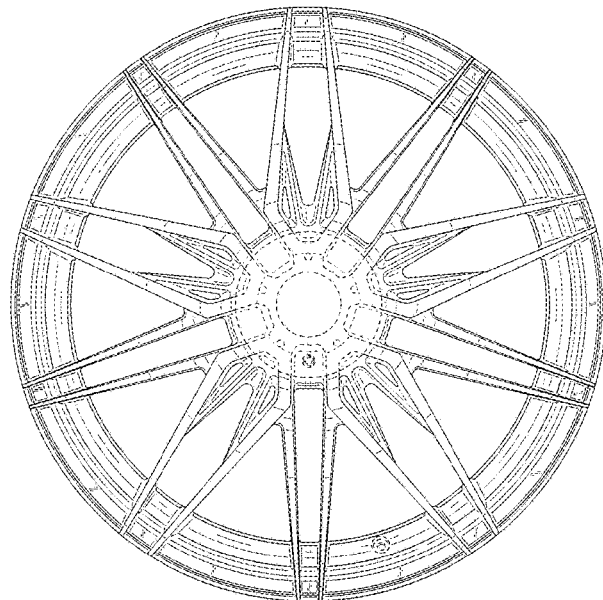
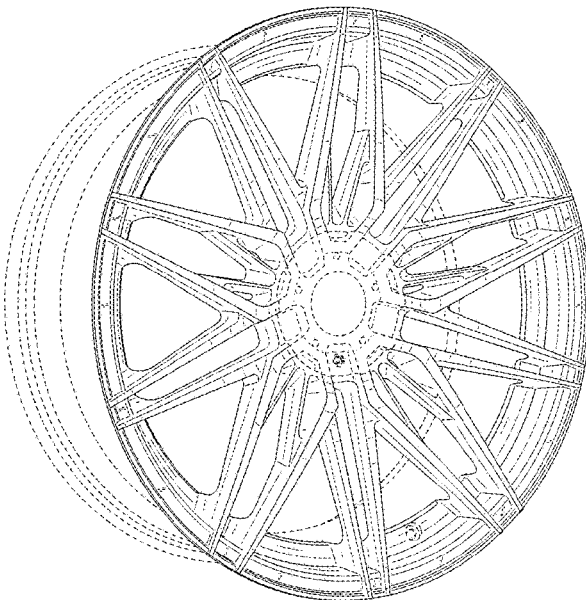
(57) **CLAIM**

I claim the ornamental design for a vehicle wheel, as shown and described.

DESCRIPTION

FIG. 1 is a top perspective view of the vehicle wheel showing my new design; and, FIG. 2 is a front view of the vehicle wheel of FIG. 1. In the drawings the broken lines depict portions of the wheel that form no part of the claimed design.

1 Claim, 2 Drawing Sheets



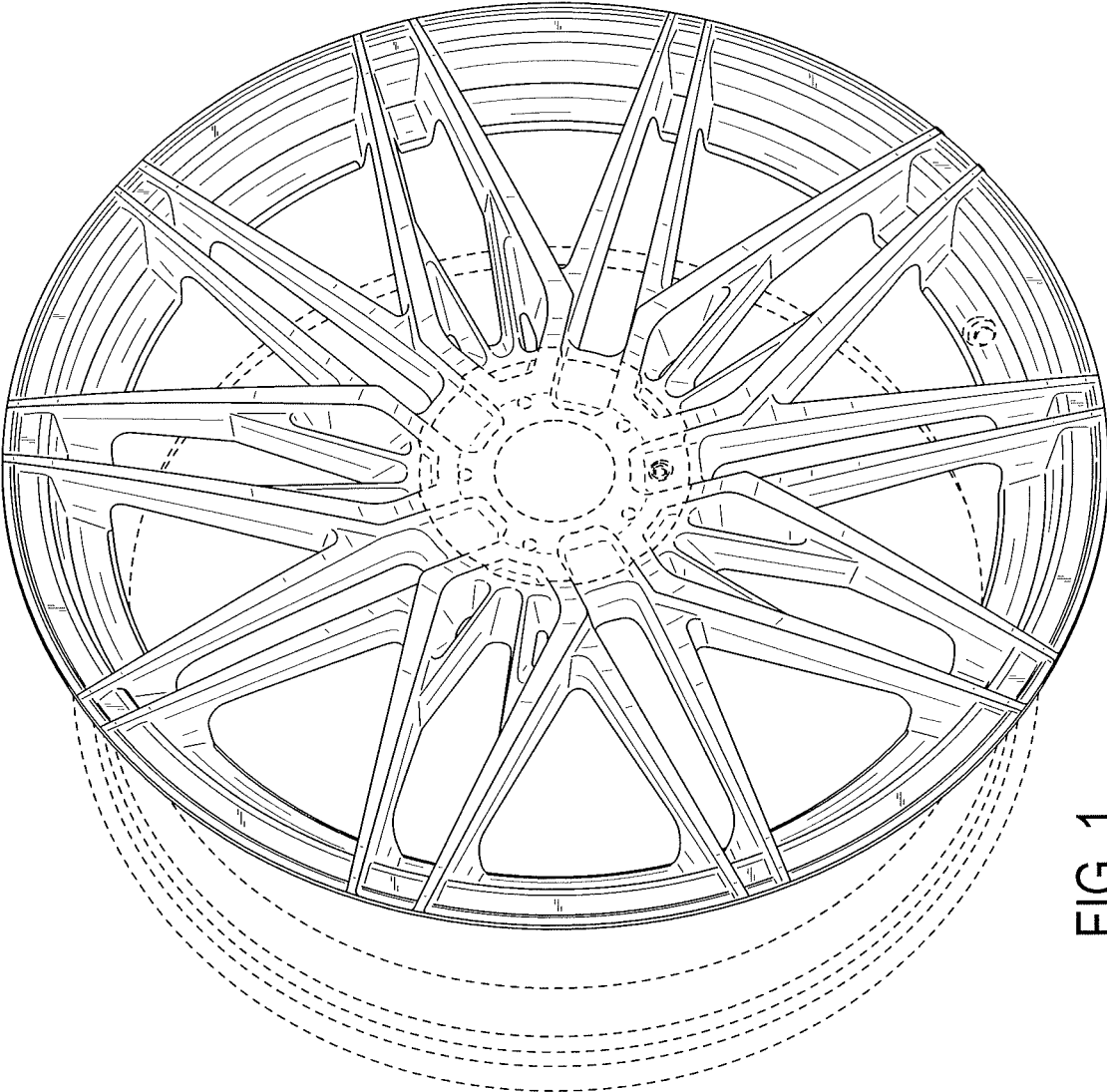


FIG. 1

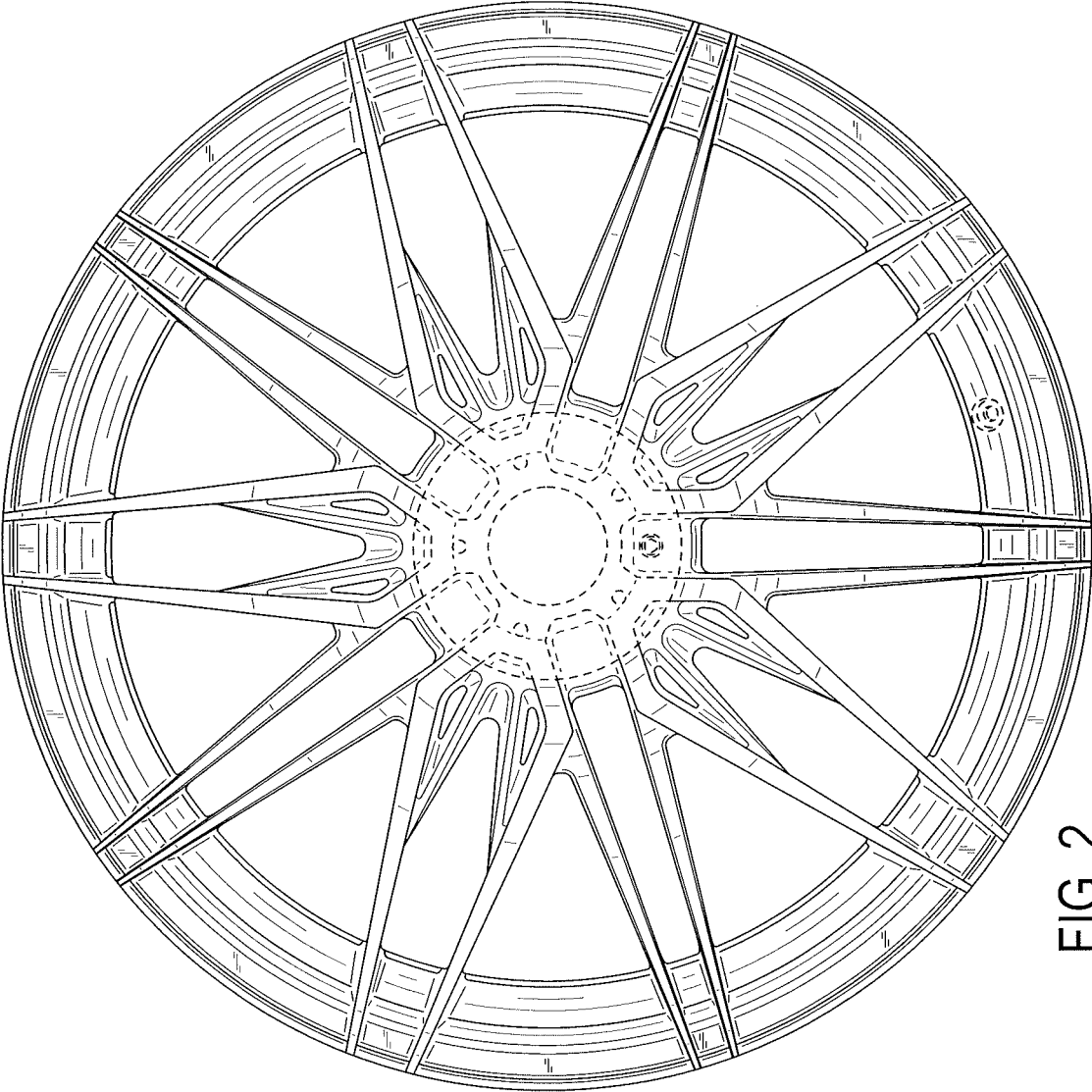


FIG. 2