



US00D605381S

(12) **United States Design Patent**
Mastrantonio et al.

(10) **Patent No.:** **US D605,381 S**

(45) **Date of Patent:** **** Dec. 8, 2009**

(54) **HAT STRAP SLEEVE**

(75) Inventors: **Rilio A. Mastrantonio**, Lansing, IL
(US); **John M. Rossi**, Naperville, IL
(US)

(73) Assignee: **Smart Frog Promotions, Inc.**,
Naperville, IL (US)

(**) Term: **14 Years**

(21) Appl. No.: **29/307,182**

(22) Filed: **Apr. 4, 2008**

(51) **LOC (9) Cl.** **02-03**

(52) **U.S. Cl.** **D2/891**

(58) **Field of Classification Search** D2/865,
D2/866, 872, 873, 876, 879, 882, 870, 878,
D2/880, 881, 884, 886, 891, 892, 893, 894,
D2/895, 639; D5/7; 2/10, 12, 425, 171.4,
2/171.5, 174, 183, 184, 209.11, 209.12, 209.13,
2/209.14, 175.1, 175.2, 175.3, 175.4, 175.5,
2/181.4, 195.1, 195.2, 195.3, 195.6, 200.1,
2/200.2; 40/329

See application file for complete search history.

(56) **References Cited**

U.S. PATENT DOCUMENTS

9,190	A	*	8/1852	Sherwood	2/181.6
345,660	A	*	7/1886	Ashworth	2/339
590,374	A	*	9/1897	Osburn	174/68.3
D33,406	S	*	10/1900	Schloss	D5/7
D40,046	S	*	6/1909	Stone	D5/7
D65,405	S	*	8/1924	Freihofer	D5/7
1,871,426	A	*	8/1932	Schmitt	206/474
2,445,209	A	*	7/1948	Clark	2/181.4
D192,651	S	*	4/1962	Seery	D5/1
3,316,136	A	*	4/1967	Pufahl	156/160
D214,233	S	*	5/1969	Mox	D5/7
5,003,640	A	*	4/1991	Pizzacar	
5,315,714	A	*	5/1994	Peters et al.	2/181.4
D354,842	S	*	1/1995	Imre	2/891
5,398,345	A	*	3/1995	Kenneth et al.	2/247

5,428,844	A	*	7/1995	Dougherty	2/209.13
5,429,588	A	*	7/1995	Young et al.	602/27
5,499,402	A	*	3/1996	Rose	2/209.13
5,519,891	A	*	5/1996	Peters et al.	2/181.4
5,519,892	A	*	5/1996	Pizzacar	2/195.2
5,546,605	A	*	8/1996	Mallardi	2/209.13
D373,454	S	*	9/1996	Ramirez	D2/891
D375,827	S	*	11/1996	Will	D2/891
5,600,855	A	*	2/1997	Ramirez	2/209.13
5,687,425	A	*	11/1997	Blosser	2/209.13
D396,547	S	*	8/1998	Capparella	D2/884
D396,938	S	*	8/1998	Bugatti	D2/639
5,845,987	A	*	12/1998	Painter	362/206
D412,937	S	*	8/1999	Franklin	D20/27
5,950,242	A	*	9/1999	Mahoney	
5,956,773	A	*	9/1999	LaMantia	2/195.1
6,006,362	A	*	12/1999	Walsh	2/209.13
6,021,525	A	*	2/2000	Mertins	2/172

(Continued)

FOREIGN PATENT DOCUMENTS

GB 2058435 * 7/1997

Primary Examiner—Elizabeth A Albert

Assistant Examiner—Karen E Eldridge Powers

(74) *Attorney, Agent, or Firm*—Brinks Hofer Gilson & Lione

(57) **CLAIM**

I claim the ornamental design for a hat strap sleeve, as shown and described.

DESCRIPTION

FIG. 1 is a perspective view of a hat strap sleeve;

FIG. 2 is a front view thereof;

FIG. 3 is a rear view thereof;

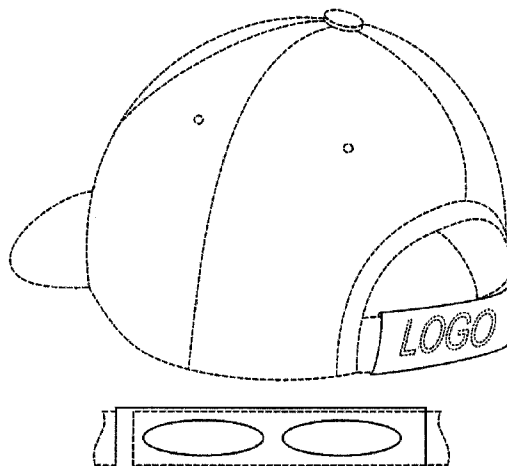
FIG. 4 is a side view thereof;

FIG. 5 is a top view thereof; and,

FIG. 6 is a bottom view thereof.

The broken lines shown in the drawings illustrate environmental matter and form no part of the claimed design.

1 Claim, 2 Drawing Sheets



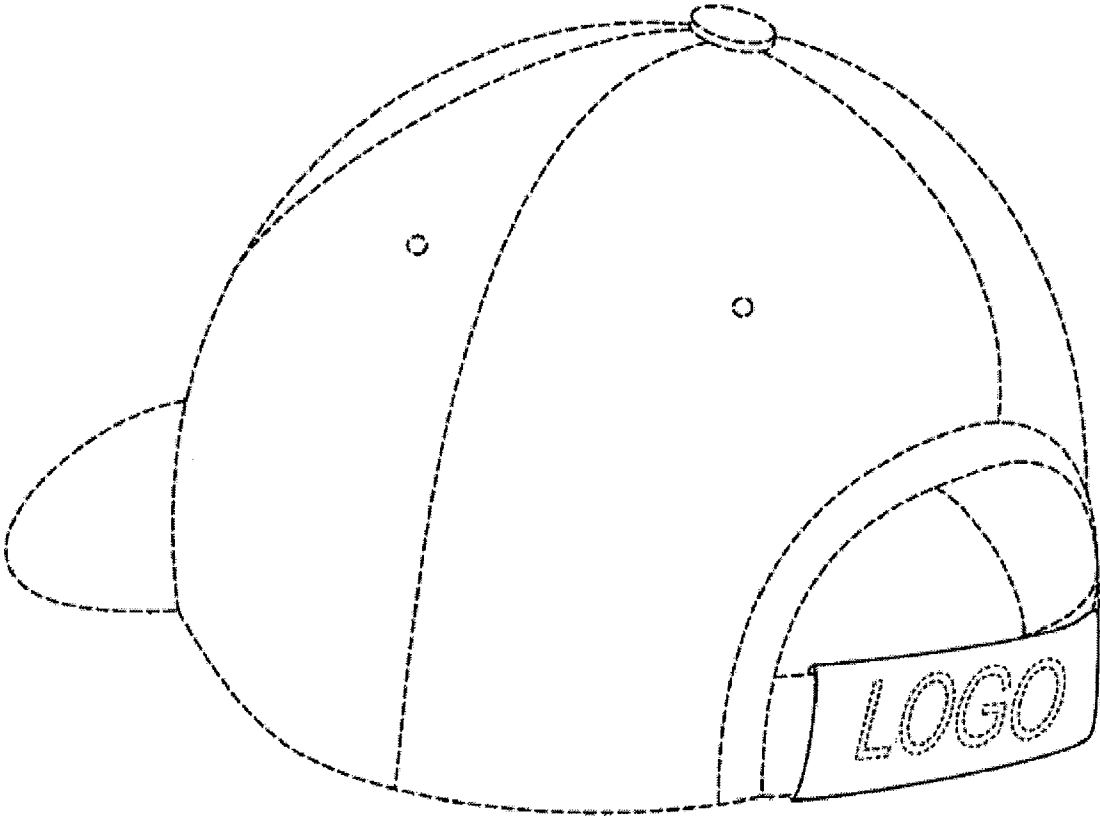


Fig. 1

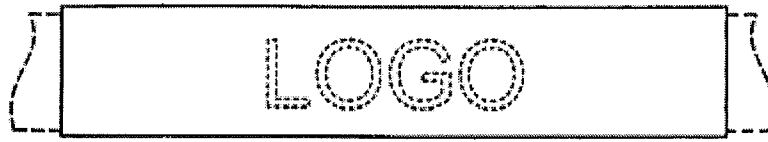


Fig. 2

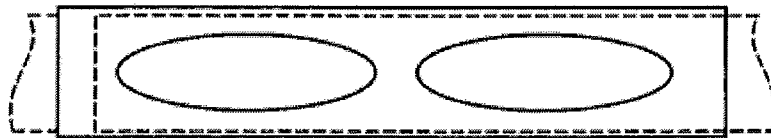


Fig. 3



Fig. 4

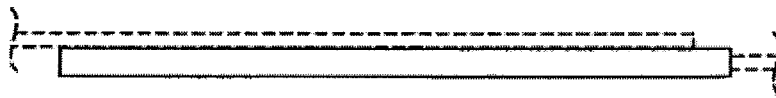


Fig. 5

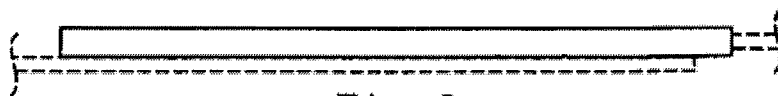


Fig. 6