

(19) World Intellectual Property Organization
International Bureau



(43) International Publication Date
26 April 2001 (26.04.2001)

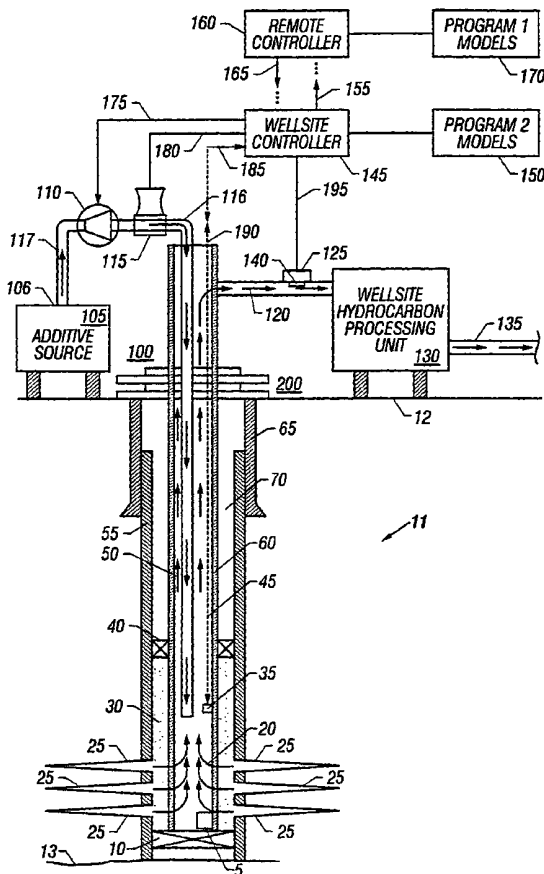
PCT

(10) International Publication Number
WO 01/29370 A1

- (51) International Patent Classification⁷: **E21B 47/00, 37/06**
- (72) Inventors: **GALLAGHER, Christopher**; 1715 Barrington Hills Lane, Katy, TX 77450 (US). **MEANS, C., Mitch**; 1615 East Laurel Oaks, Richmond, TX 77469 (US).
- (21) International Application Number: **PCT/US00/29092**
- (74) Agents: **LITTLEFIELD, Stephen, A.** et al.; Baker Hughes Incorporated, 12645 West Airport Blvd., Sugar Land, TX 77478 (US).
- (22) International Filing Date: **20 October 2000 (20.10.2000)**
- (25) Filing Language: **English**
- (81) Designated States (*national*): **AE, AG, AL, AM, AT, AU, AZ, BA, BB, BG, BR, BY, BZ, CA, CH, CN, CR, CU, CZ, DE, DK, DM, DZ, EE, ES, FI, GB, GD, GE, GH, GM, HR, HU, ID, IL, IN, IS, JP, KE, KG, KP, KR, KZ, LC, LK, LR, LS, LT, LU, LV, MA, MD, MG, MK, MN, MW, MX, MZ, NO, NZ, PL, PT, RO, RU, SD, SE, SG, SI, SK, SL, TJ, TM, TR, TZ, UA, UG, UZ, VN, YU, ZA, ZW.**
- (26) Publication Language: **English**
- (30) Priority Data:
60/160,472 21 October 1999 (21.10.1999) US
09/690,164 17 October 2000 (17.10.2000) US
- (71) Applicant: **BAKER HUGHES INCORPORATED** [US/US]; 3900 Essex Lane, Suite 1200, Houston, TX 77027 (US).
- (84) Designated States (*regional*): **ARIPO patent (GH, GM, KE, LS, MW, MZ, SD, SL, SZ, TZ, UG, ZW), Eurasian patent (AM, AZ, BY, KG, KZ, MD, RU, TJ, TM), European**

[Continued on next page]

(54) Title: **ASPHALTENES MONITORING AND CONTROL SYSTEM**



(57) Abstract: The present invention provides a system that monitors and controls the precipitation of asphaltenes in a formation fluid by using a sensor (35) to make a direct real-time on-site measurement of the relative concentration asphaltenes from at least one location at a wellsite or in a pipeline. Using a processor (145) to compare sequential measurements, the system of the present invention can trigger the addition of additives in response to a change in asphaltene concentration in the formation fluid, preventing precipitation.



WO 01/29370 A1



patent (AT, BE, CH, CY, DE, DK, ES, FI, FR, GB, GR, IE, IT, LU, MC, NL, PT, SE), OAPI patent (BF, BJ, CF, CG, CI, CM, GA, GN, GW, ML, MR, NE, SN, TD, TG).

— Before the expiration of the time limit for amending the claims and to be republished in the event of receipt of amendments.

Published:

— With international search report.

For two-letter codes and other abbreviations, refer to the "Guidance Notes on Codes and Abbreviations" appearing at the beginning of each regular issue of the PCT Gazette.

ASPHALTENES MONITORING AND CONTROL SYSTEM

BACKGROUND OF THE INVENTION

5 CROSS REFERENCE TO RELATED APPLICATION

This application claims priority from provisional application 60/160,472 filed October 21, 1999.

Field of the Invention

10 This invention relates to system for use in oilfield and pipeline operations to monitor and control asphaltenes precipitation in formation fluids. This invention particularly relates to a system and the associated method for determining whether asphaltenes precipitating out of solution in a wellbore, pipeline and the like are being deposited inside the wellbore.

15

2. Background of the Art

Many formation fluids such as petroleum fluids contain a large number of components with a very complex composition. For the purposes of the present invention, a formation fluid is the product from an oil well from the time it is produced until it is refined. Some of the components present in a formation fluid, for example wax and asphaltenes, are normally solids under ambient conditions, particularly at ambient temperatures and pressures. Waxes comprise predominantly high molecular weight paraffinic hydrocarbons, *i.e.* alkanes. Asphaltenes are typically dark brown to black-colored amorphous solids with complex structures and relatively high molecular weight. In addition to carbon and hydrogen in the composition, asphaltenes also can contain nitrogen, oxygen and sulfur species. Typical asphaltenes are known to have some solubilities in the formation fluid itself or in certain solvents like carbon disulfide, but are insoluble in solvents like light naphthas.

25
30

When the formation fluid from a subsurface formation comes into contact with a pipe, a valve or other production equipment of a wellbore or when there is a

decrease in temperature, pressure, or change of other conditions, asphaltenes may precipitate or separate out of a well stream or the formation fluid while flowing into and through the wellbore to the wellhead. While any asphaltene separation or precipitation is undesirable in and by itself, it is much worse to allow the asphaltene precipitants to accumulate by sticking to the equipment in the wellbore. Any asphaltene precipitants sticking to the wellbore surfaces may narrow pipes; and clog wellbore perforations, various flow valves, and other wellsite and downhole equipment. This may result in wellsite equipment failures. It may also slow down, reduce or even totally prevent the flow of formation fluid into the wellbore and/or out of the wellhead.

Similarly, undetected precipitations and accumulations of asphaltenes in a pipeline for transferring crude oil could result in loss of oil flow and/or equipment failure. Crude oil storage facilities could have maintenance or capacity problems if asphaltene precipitations remain undetected for an extended period of time.

As a result of these potential problems, during oil production in production wells, the drilling of new wells, or work overs of existing wells, many chemicals, also referred to herein as "additives", including solvents, are often injected from a surface source into the wells to treat the formation fluids flowing through such wells to prevent or control the precipitation of asphaltenes. In addition to controlling asphaltene precipitations, additives are also injected into producing wells to, among other things, enhance production through the wellbore, lubricate downhole equipment, or to control corrosion, scale, paraffin, emulsion and hydrates.

All these chemicals or additives are usually injected through a conduit or tubing that is run from the surface to a known depth. Also, chemicals are introduced in connection with electrical submersible pumps, as shown for example in U.S. Patent No. 4,582,131 assigned to the assignee hereof and incorporated herein by reference, or through an auxiliary line associated with a cable used with the electrical submersible pump, such as shown in U.S. Patent No. 5,528,824 assigned to the assignee hereof and incorporated herein by reference.

While much more commonly used to minimize paraffin deposition problems, it has been disclosed that asphaltene precipitation can be, if not controlled, at least mitigated by providing heat to equipment to raise the temperature of crude oil, for example, to a temperature higher than its cloud point, also referred to as the deposition temperature, to prevent or at least minimize asphaltene precipitations. A circulating heat transfer fluid or medium is usually used as the heating means to effect the desired temperature changes.

Several other ways of addressing the asphaltene precipitation problems are also known. For example, U.S. Patent No. 5,927,307 discloses an apparatus for environmentally acceptable cleaning of oil well components including removing paraffin and asphaltenes from the rods of the rod string of an oil well. U.S. Patent No. 5,795,850 discloses an oil and gas well operation fluid used for the solvation of waxes and asphaltenes, and the method of use thereof. U.S. Patent No. 5,827,952 discloses an acoustic-wave sensor apparatus and method for analyzing a fluid having constituents, which form deposits on the sensor when the sensor is cooled below a deposition-point temperature.

Whether performing a specific mitigating, remedial or prophylactic treatment or measuring a particular property of the formation fluid, these disclosed methods are typically indirect and involve one or more steps handled by an operator manually. Some of these methods are not very sensitive or require time-consuming measurements or analysis in a laboratory. Alternatively, where automated analytical methods are disclosed, such as in U.S. Patent No. 6,087,662, the methods require prohibitively expensive apparatus and are complex and difficult to apply to a field application. Consequently, it is difficult and sometimes not feasible to automate the process of monitoring and controlling asphaltenes at a wellsite or in a pipeline system.

Another problem with trying to control asphaltene precipitation with conventional methods is that the cycle time is normally quite long between the times the samples are collected, the measurements are performed and, if needed, any

adjustments of a particular treatment are made. As a result of this long cycle time, it is possible and even likely that either too much additive is added for unnecessary and expensive over-treatment, or too little is added for under-treatment, resulting in either wasted chemicals or excessive undesirable asphaltene precipitations or separations from the formation fluid. The same problem exists when the temperature of the formation fluid is used to control asphaltene precipitations and separations. Either under heating or overheating a piece of equipment may take place at an oil well or a pipeline system, resulting in inadequate heating or unnecessary waste of energy.

10 The present invention provides a system that uses one or more sensors to measure, directly and in real time at the wellsite or in a pipeline, a relative concentration of asphaltenes in a formation fluid or crude oil. The present invention also provides a system that measures the difference in relative asphaltene concentration in the formation fluid retrieved at the wellhead and that entering the wellbore from the formation. If the difference is larger than a predetermined range, a signal is transmitted from a controller or control unit to an apparatus to adjust the treatment relating to suppressing, controlling, inhibiting or otherwise mitigating asphaltene precipitations. It is also envisioned that the present invention may be used for monitoring asphaltenes in pipelines transporting oil from one location to another and controlling the necessary treatments.

SUMMARY OF THE INVENTION

25 In one aspect, the present invention is a system for determining the relative concentration of asphaltenes in a formation fluid from direct on-site measurements made on the formation fluid recovered from a subsurface formation, comprising: a fluid flow path for flowing formation fluid recovered from a subsurface formation; a sensor associated with the formation fluid in the fluid flow path providing data corresponding to the relative concentration of asphaltenes in the formation fluid in the fluid flow path; and a processor for determining from the data the relative

concentration of asphaltenes in the formation fluid.

In another aspect, the present invention is a method for monitoring the relative concentration of asphaltenes in a formation fluid comprising the steps of: determining a relative concentration of asphaltenes in a formation fluid passing
5 through a fluid flow path for recovering the formation fluid from a subsurface formation; making a subsequent determination of the relative concentration of asphaltenes in the formation fluid; and comparing the relative concentrations of asphaltenes in the formation fluid; wherein the determinations of the relative concentration of asphaltenes in the formation fluid is done on site, using a
10 processor, in real time or near real time.

In still another aspect, the present invention is a method for monitoring and controlling the precipitation of asphaltenes out of a formation fluid comprising the steps of determining a relative concentration of asphaltenes in a formation fluid passing through a fluid flow path for recovering the formation fluid from a subsurface
15 formation; making a subsequent determination of the relative concentration of asphaltenes in the formation fluid; and comparing the relative concentrations of asphaltenes in the formation fluid; wherein the determinations of the relative concentration of asphaltenes in the formation fluid is done on site, using a processor, in real time or near real time and additionally comprising pumping additives into the
20 formation fluid when the difference in the relative concentrations of asphaltenes in the formation fluid is outside of a predetermined range.

BRIEF DESCRIPTION OF THE DRAWINGS

For a detailed understanding and better appreciation of the present invention, reference should be made to the following detailed description of the invention and
25 the preferred embodiments, taken in conjunction with the accompanying drawings.

Figure 1 is a schematic illustration of a wellsite system for monitoring the amount of asphaltenes reaching the wellhead and injecting chemicals in response to the monitored amounts according to one embodiment of the present invention.

Figure 2 shows a representative absorbance spectrum corresponding to

different amounts of asphaltenes in xylenes.

Figure 3 shows a representative absorbance spectrum of different amount of asphaltenes in toluene.

Figure 4 represents a typical correlation of the absorbance measured with asphaltenes contents by weight.

Figure 5 represents the effects of certain solvents on the relative asphaltene concentration of a crude oil sample and the resultant changes in the sample's UV absorbance spectra.

DETAILED DESCRIPTION OF THE PREFERRED EMBODIMENT

The present invention relates to a system and method for monitoring and controlling asphaltenes. The system may be used at a wellsite, a pipeline, and other places where formation fluid, oil or other complex mixtures containing asphaltenes are produced, transported, stored or used.

A first direct measurement of a first asphaltenes relative concentration is made. This first measurement is compared with a second direct measurement which is second in time and/or in physical space relative to the first measurement, to analyze and to determine if there is a difference between the two measurements.

If there is no difference or if the difference is within a predetermined range, a signal is sent to the controller or controllers, which controls the treatments dealing with asphaltenes, to maintain the current or existing treatment.

If the difference in measurements is outside the predetermined range, it indicates that an undesirable amount of asphaltenes has precipitated and become held up somewhere in the wellbore, pipeline, transportation or storage facility as the case may be. Asphaltenes are known to stick to different surfaces after they precipitate out of the well stream, oil flow or in a storage facility. In this case, a signal is sent by the controller or controllers to adjust the settings or rates in order to control, prevent, inhibit or otherwise mitigate the asphaltenes. The adjustments are made according to the nature and quantity of the difference. In most cases,

additional chemicals, additives and solvents or higher temperatures are required to reduce or eliminate further precipitation of asphaltenes out of the formation fluid.

Another way of determining whether to make changes or adjustments of a treatment, such as a chemical injection, is to compare the concentration of asphaltenes in the flow path with a reference concentration. Preferably, the reference is a measurement of the asphaltenes in a sample of the reservoir fluids or crude oil being produced or transported wherein the asphaltenes concentration is at an acceptable level. If the relative concentration of asphaltenes in the flow path is significantly less than the reference concentration, it is an indication that asphaltenes have precipitated out, thus requiring changes of treatment.

Many different chemical, physical and spectroscopic ways of detecting and measuring the concentrations of asphaltenes in a complex mixture such as oil are utilized in the laboratory. Real-time or substantially real-time, on-site, asphaltene measurements are preferred and are thus provided in the present invention. For purposes of the present invention, on-site means in close proximity to the asphaltene containing formation fluid being monitored by the present invention. While any method known to those of ordinary skill in the art of making such measurements can be used with the present invention, it is preferred to use a fiber optic attenuated total reflection probe and an ultraviolet/visible spectrometer to directly measure the amounts of asphaltenes in a well stream, formation fluid or crude oil by measuring the absorbances in a wavelength range of about 200 nm to about 2,000 nm and then transmit the results to a data gathering and processing circuit or unit such as a microprocessor based unit or a computer for data analysis. For the purposes of the present invention, the term ATR means an attenuated total reflectance device including a probe and a means of measuring the absorbance of a material in contact with the probe.

An ATR is preferred for the practice of the present invention because it permits both in-laboratory measurements and real-time direct measurements of the absorbance of highly opaque or colored fluid or liquid within a process. Formation

fluids, such as crude oil, containing asphaltenes are normally opaque and dark. ATR probes useful with the present invention can be placed at different locations in the flow paths of the formation fluid to collect the asphaltene-concentration data, whether in a wellbore, in a pipeline or in other transfer lines.

5 The readings of the absorbance spectra of a typical formation fluid, such as a well stream, are made at a wavelength ranging from about 200 nm to about 2,000 nm, generally known as the ultraviolet or UV, visible or VIS, and near infrared or NIR spectral regions. For the present invention, a preferred wavelength range is from about 220 nm to about 1,000 nm. More preferably, the wavelength range is from
10 about 220 nm to about 800 nm, and most preferably from about 240 nm to about 400 nm.

 In the practice of the present invention, a sample is analyzed with an ATR wherein a beam of light, a form of electromagnetic wave, from a source lamp of is sent to a sensor with an exposed surface placed in contact with the formation fluid
15 in a chamber and the transmitted light is sent back to a filter/detector. With proper connections and the associated instruments and electronics, the signals of a measured absorbance may be transmitted conveniently by using optical fibers to a control unit for spectral data storage, analysis and/or comparisons. The absorbance spectrum obtained by using an ATR is analyzed and compared with the help of
20 suitable computer programs or other processing unit. The path length may vary, depending on the wavelength of the light used. A correlation or calibration curve may be established, *ex situ*, to determine the amounts of asphaltenes in the formation fluid as a function of the absorbance. Periodic *in situ* or *ex situ* calibrations may be made to determine the accuracy of the measurements as well as the
25 correlations. In addition, the asphaltene measurements may be made with references to air, toluene, xylenes or other suitable materials.

 It is important that the ATR probe be selected such that it can be used in the application of the present invention. For example, in a wellbore, a probe can be exposed to corrosive conditions and high temperatures and/or pressures. The optics

of the probe should be such that they will not decompose or become occluded. For example, preferably, the optics of a probe useful with the present invention will be made of sapphire.

The absorbance of asphaltenes in a formation fluid may be expressed in different ways. It can be determined at a single point data at a selected wavelength, at a plurality of wavelengths within the range disclosed herein, as an entire spectrum between two wavelengths or a combination thereof.

For a system of the present invention, it is preferred that there are at least two probes for obtaining at least two direct ATR measurement signals. For example, in the case of a system of the present invention being used to monitor an oil well, at least one probe is placed in the flow of fluid recovered at the wellsite in a fluid flow path prior to collecting the formation fluid for processing or transportation. There is typically an on-site processor to handle the data. The data obtained from direct ATR measurements of asphaltene contents in the formation fluid entering the perforations of the wellbore, exiting the wellhead and in a fluid flow path are collected, analyzed and compared. The probe data is processed at the wellsite to determine the asphaltene concentration in the fluid, which is compared to the expected amount.

The comparison of relative asphaltene concentrations can be accomplished by using a processor. The expected amount may be determined from analysis of prior fluid samples and/or modeling. If the amount of asphaltenes in the formation fluid retrieved at the wellhead is less than the expected amount, it can be reasonably inferred that (a) some asphaltenes have precipitated and separated out of the formation fluid between the perforations where the formation fluid enters the wellbore and the wellhead; and (b) the asphaltenes have stuck to some surface or become accumulated at certain places in the wellbore or other locations of the well. Depending on how much of the asphaltenes have precipitated, there may be a need to change or adjust various mitigating, controlling or inhibiting treatments such as injections of additives or changing temperatures. While any precipitation is not desirable, there may be a range within which precipitation can be tolerated. Instead

of analyzing fluid samples and/or modeling to determine the expected asphaltene concentration in a formation fluid, a second ATR probe may be placed near the producing zone in the wellbore to provide a direct measure of the asphaltenes entering the wellbore. The comparison of the downhole and surface measurements will provide an accurate measure of the amount of asphaltenes precipitating out of solution in the wellbore and the corrective action required to alleviate such precipitation. The same surface equipment may be utilized for processing data from the downhole ATR probe.

For a system monitoring a pipeline transporting crude oil, it is preferred that there are also at least two ATR probes. It is preferred that at least one first probe is placed at a location to measure a first asphaltene content upstream in the pipeline transportation system. It is also preferred that there is at least one second probe downstream from the first probe to measure a second asphaltenes content. It is within the scope of the present invention that a plurality of probes are used to monitor a long pipeline and/or its associated equipment in order to determine (a) if the asphaltenes have precipitated; (b) where the asphaltenes have precipitated; (c) whether a treatment is needed or needs to be changed; and (d) what is a proper level of treatment.

As discussed hereinabove, there may be a plurality of probes for monitoring the asphaltenes concentrations in the same well or pipeline. It is also within the embodiment of the present invention to have a plurality of probes monitoring several wells or pipelines at the same time. The measured absorbance and the corresponding signals may be sent to the same or a different data processing unit, which compares the signals to determine if there exists a difference in asphaltenes contents between that of the formation fluid entering the wellbore or pipeline and that at other places in the well or pipeline. If there is no difference or the difference is small and within a predetermined range, commands are sent to one or more controllers maintaining the current treatment without any changes. If the difference is larger than the predetermined range, commands are sent to the controller or

5 controllers to adjust their output or outputs for changing current treatments in accordance with the difference. Examples of treatments include injections of additives, injection of solvents, which also can be considered as chemicals or additives as well for the present invention, adjustment of the temperatures of pipes, valves and various other equipment, or combinations thereof.

10 There are other references that can be used to determine the difference in asphaltene concentrations. One such reference is a calculated figure. This figure may be obtained by methods such as a theoretical calculation, by extrapolation or interpolation of a calibration curve, and others. Another, and preferred reference is a laboratory analysis of the asphaltenes in the actual fluid to be monitored. If it is difficult or not economic to place a probe downhole in the well, an intermittent sampling and analysis of the formation fluid in the wellbore is an acceptable reference of the present invention. It is also within the embodiment of the present invention to use a previous analysis from the same or a different monitoring system as a reference to determine the difference of asphaltenes concentrations.

15 In the practice of the present inventions, a predetermined range for a change in the relative asphaltene concentration of a fluid is used to trigger or not trigger actions to control asphaltene precipitation from a formation fluid. This predetermined range can be prescribed in many different ways or even a combination of ways because it depends upon the point at which asphaltenes will precipitate from a formation fluid which itself is subject to a number of factors. The factors which affect asphaltene precipitation include the composition of the formation fluid, the asphaltene concentration in the particular formation fluid, the fluctuations of the asphaltene content in the formation fluid, the equipment, the well history, the accuracy of the ATR used, the operating experience of a particular well or pipeline or storage facility, the effectiveness of a particular treatment for a well or a pipeline or a storage facility, and many other factors.

25 One example of a way in which a predetermined range can be set is from an operating experience that certain asphaltene levels found in the formation fluid

measured at the wellhead is acceptable, even though it is different from the level detected in the wellbore. It is also possible to set the predetermined range by setting a relative percentage of change. For the present invention, a suitable predetermined range, on a relative basis, is a difference in asphaltene relative concentration within about 15%. For instance, if the reference asphaltene concentration is 4 wt%, a measured asphaltene concentration of 3.2 wt% in the wellhead formation fluid would trigger a change of the treatment, because it represents a 20% relative change. Alternatively, a change of ± 0.5 wt% may be used as a predetermined range. In the above 4 wt% example, an asphaltene concentration between 3.5 wt% and 4.5 wt% measured in the wellhead formation fluid will not trigger a command to change the current treatment for controlling asphaltenes. It is also within the embodiment of the present invention not to use a fixed range. In other words, the range may have to be changed to reflect addition experience gained during the operation or changes in treatment methods, changing production process, etc.

Because all the steps and measurements of the present invention do not need operator intervention, except for checking the accuracy of the sensors or probes, the present invention can be automated with proper computing devices, such as computers, signal transmitters and receivers, computational programs or software to perform the necessary calculations and data comparisons, and other necessary mechanical devices, which can be controlled non-manually when receiving various electromagnetic, electrical, electronic or mechanical commands, instructions or signals.

While the sensors or probes are used to provide direct real-time measurements of asphaltenes, it is not required or needed that the measurements are made continuously. For the present invention, the sensors or probes may be operated in many different modes, continuous, semi-continuous, intermittent, batch or a combination thereof. Formation fluid composition and changes in the composition, operating experience and maintenance requirement are some of the

factors that influence the choice of how often the measurements are made. Furthermore, it is also within the scope of the present invention that a different signal may be transmitted to a machine or computer or some other form of data processing unit, i.e., a processor, at a remote location and, in response to the difference
5 observed, a decision of adjusting the output of an apparatus for a particular treatment is sent to that apparatus directly or back to the controller, which then sends a proper command to the apparatus.

A step-by-step description of one embodiment in accordance with the present invention is made with reference to **Figure 1**. **Figure 1** is a schematic diagram of a
10 system **100** wherein the asphaltenes are monitored with one or two sensors, one located at the surface wellhead and the other in the wellbore adjacent the point of entry of the formation fluid into the wellbore. The asphaltenes are controlled by a treatment using additive or solvent injections. The system **100**, in one aspect, is shown to include a well **11** with an upper casing **65** that extends a short distance
15 below the surface **12** and a liner **55** that extends in the well depth **13**, includes a number of downhole sensors **5** for monitoring the performance of the well **11** and other properties of the formation fluid **20** from the producing formation **15**, which flows through multiple perforations **25**, passing through screens **30** into a production tubing **60**. A lower packer **10** and an upper packer **40** inside annulus **70** below and
20 above the perforations **25** isolate the production zone **15**. The screens **30** help filter out loose particles and other solids in the formation fluid **20**. The wellbore fluid **50** flows upward inside the production tubing **60**. An ATR Sensor **35** is disposed in the wellbore adjacent perforations **25** to provide a direct measurement of the amount of asphaltene in the formation fluids entering the wellbore **11**. Sensor **35** is connected
25 to downhole data/power communication link **45**, which sends a signal **190** to a wellsite controller **145**. Suitable ATR light **185** in the UV, VIS and/or NIR regions is supplied to the ATR sensor **35** from wellsite controller **145** via link **45**.

Once the well fluid **120** reaches the surface **12**, it passes through exposed

surface **140** of an ATR asphaltenes measurement sensor **125** prior to entering into a wellsite hydrocarbon processing unit **130**. The output of hydrocarbon processing unit **130** is discharged into pipeline **135** or to other suitable transportation systems

The signals from the ATR sensor **125** are sent to the wellsite controller (processor) **145**, which interacts with various programs and models **150**. The wellsite controller **145** determines the amount or concentration of the asphaltenes present in the well stream **120** based on programs provided thereto. The controller **145** compares the directly measured amounts with the expected amount. If a downhole sensor, such as sensor **35** is utilized, then the controller **145** utilizing the programs **150**, correlates signals **190** from sensor **35** with signal **195** from **140** to the corresponding asphaltene concentrations in well fluid **120** at the wellhead and well fluid **50** near perforations **25** in the wellbore. Based on these comparisons or correlations, programs and models **150** also determine if (a) they are different; (b) if the difference exceeds a predetermined range; and (c) how a treatment adjustment, if any, is needed in response to the difference. If there is no difference or the difference does not exceed the predetermined range, then the controller **145** does not make any adjustment or changes to the pump speed **110** providing additives **105** from a source **106**. If the difference exceeds the range, the controller **145** changes the pump **110** speed to adjust the amount of the chemical **105** to the desired amounts by increasing or decreasing the amount of additives from additive source **105** to suppress, control or mitigate the excessive asphaltene precipitation and separation. The chemicals **105** are discharged into the well **116** via a line to a suitable depth, usually adjacent the perforations.

A precision meter **115**, such as a nutating or positive displacement meter, in the additive supply line **117** provides to the controller **145** measurements for the amount of additive **105** being supplied to the well **11**. Optionally, information from wellsite controller **145** may be sent to remote controller (processor) **160**, which interacts with various programs and models **170**. Just like **150**, programs and

models **170** correlate signals **190** from sensor **35** with signal **195** from **140** to the corresponding asphaltene concentrations in well fluid **120** at the wellhead and well fluid **50** near perforations **25** in the wellbore. Based on these correlations, programs and models **170** also determine if (a) they are different; (b) if the difference exceeds a predetermined range (value); and (c) how a treatment adjustment, if any, is needed in response to the difference. Appropriate instructions **165**, in response to the measurements, is sent to the wellsite controller **145**, which relays these instructions to pump **110** and/or meter **115**.

All of the signals and/or instructions from computers or controllers may be communicated via conventional methods such as proper cables, optical fibers, etc. Alternatively, wireless communications are also within the embodiment of this invention. All of the measurements, comparisons and other operations may be automated with the help of proper devices. The system **100** may be a totally automated system. It is also possible to have manual intervention by an operator at the wellsite and/or at the remote location. Moreover, where a remote-controller (processor) **160** is used, the programs **170** and **150**, which reside in the same or different computing systems, can be used as a reciprocal backup operation.

As previously discussed, it is optional to have a plurality of chemical sources and the respective pumps and metering devices to administer different additives or chemicals or solvents. These can be controlled individually or in concert with one another by one or more controllers such as **145** and **160**. It is also within the scope of the present invention to use the same or different wellsite (on-site) and/or remote controllers processors **145** and **160** to control the operation of two or more wells at the same time.

It is further noted that while a part of the foregoing disclosure is directed to some preferred embodiments of the invention or embodiments depicted in the accompanying drawings, various modifications will be apparent to and appreciated by those skilled in the art. It is intended that all such variations within the scope and spirit of the claims be embraced by the foregoing disclosure.

EXAMPLES

The following examples are provided to illustrate the present invention. The examples are not intended to limit the scope of the present invention and they should not be so interpreted. Amounts are in weight parts or weight percentages unless otherwise indicated.

EXAMPLE 1

Laboratory measurements utilizing a UV/visible Spectrophotometer and a fiber-optic ATR probe with air as a reference are used to determine the absorbance as a function of wavelength for different concentrations of asphaltene in crude oil.

Spectrum A is obtained with an Alaskan crude with 5 wt% asphaltenes; spectrum B, a synthetic mixture of 2.7 wt% of asphaltenes in xylenes; and spectrum C, a Louisiana crude having about 0.5 wt% asphaltenes. The spectra A-C, Figure 2, show that there is a monotonic correlation between the asphaltenes concentrations and ATR absorbances in a wavelength range of from about 220 nm to about 400 nm.

Example 2

Example 2 is carried out in a similar manner as Example 1, except that the various samples are measured with toluene as a reference. ATR spectra D, E, and F are obtained with 3 wt%, 2 wt% and 1 wt% of asphaltenes in crude oil respectively.

The results are shown in **Figure 3**. The spectra in **Figure 3** also show that there is a monotonic correlation between the asphaltenes concentrations and ATR absorbances in a wavelength range of from about 220 nm to about 550 nm. These experiments described above in **Figures 2** and **3** indicate the suitability of an ATR probe for directly measuring asphaltene concentration in oil containing formation fluids.

Example 3

Asphaltenes are extracted from a crude sample by precipitation with heptane. The extracted asphaltenes are added to a crude oil sample and the absorbance measured with the probe at 233 nm. The crude originally contained 5 0.44% asphaltenes. The resulting plot of % asphaltenes vs. absorbance yields a linear correlation with an $R^2 = 0.9959$. The results are displayed below in Table 1 and in graphical form in Fig. 4.

Table 1

Absorbance @ 233nm	Total % Asphaltenes of Sample
0.3529	0.54
0.3833	0.94
0.4312	1.44
0.5389	2.44
0.7719	5.44

10

Example 4

Three solvents; chloroform, toluene, and heptane; are selected to be added to a sample of crude oil. Chloroform has no effect on asphaltenes in crude oil. 15 Toluene dissolves asphaltenes. Heptane precipitates asphaltenes from crude oil. The UV absorbance of the crude oil sample is measured, 5 and 10 percent chloroform are added to the sample and the absorbance measured again with very little change in absorbance. 5 and 10 percent toluene are added to a sample of the same crude oil. Absorbance measurements increase, indicating an increase in 20 dissolved asphaltene content. 5 and 10 percent heptane are added to a sample of the same crude oil. The absorbance decreases, indicating a decrease in the amount of dissolved asphaltene content of the sample. The results are displayed below in

Table 2 and graphically in Figure 5.

Table 2

Sample	Probe Reading (Absorbance @ 233nm)	Probe Reading (Absorbance @ 254 nm)
Crude + 10% toluene	1.769	1.274
Crude + 5% toluene	1.707	1.185
Crude (neat)	1.605	1.113
Crude + 5% chloroform	1.612	1.154
Crude + 10% chloroform	1.584	1.107
Crude + 5% heptane	1.469	0.9687
Crude + 10% heptane	1.312	0.8170

WHAT IS CLAIMED IS:

1. A system for determining the relative concentration of asphaltenes in a formation fluid from direct on-site measurements made on the formation fluid recovered from a subsurface formation, comprising:
 - 5 a fluid flow path for flowing formation fluid recovered from a subsurface formation;
 - a sensor associated with the formation fluid in the fluid flow path providing data corresponding to the relative concentration of asphaltenes in the formation fluid in the fluid flow path; and
 - 10 a processor for determining from the data the relative concentration of asphaltenes in the formation fluid.
2. The system of Claim 1 wherein the fluid flow path is a wellbore.
3. The system of Claim 1 wherein the fluid flow path is an oil pipeline.
- 15 4. The system of Claim 1 wherein the processor makes real time relative concentration determinations of asphaltenes in the formation fluid.
5. The system of Claim 4 wherein the sensor is a fiber optic attenuated total reflectance probe.
6. The system of Claim 5 wherein the fiber optic attenuated total reflectance probe has an exposed surface in contact with the formation fluid in the fluid flow path.
- 20 7. The system of Claim 6 wherein the processor determines absorbance from the sensor data as a function of wavelength.

8. The system of Claim 6 further comprising a chemical injection unit for injecting at least one chemical into the formation fluid prior to flowing the formation fluid through the fluid flow path.
9. The system of Claim 8 wherein the processor causes the chemical injection unit to change the amount of the chemical injected if the concentration of asphaltenes is determined to be outside a predetermined range.
10. The system of Claim 9 wherein the chemical injection unit comprises:
 - a source of the chemical;
 - a pump for pumping chemical into the formation fluid; and
 - a meter for measuring the amount of the chemical injection into the formation fluid.
11. The system of Claim 10 further comprising a remote processor communicating with an on site processor, the remote processor providing instructions to the on site processor for the control of chemical injection unit.
12. The system of Claim 1 wherein the sensor is a first sensor and further comprising a second sensor placed in the flow of the formation fluid at a location upstream of the first sensor.
13. The system of Claim 12 wherein the first sensor is at the surface and the second sensor is located in the wellbore.
14. The system of Claim 12 wherein the first and second sensors are located in a pipeline carrying the formation fluid.
15. A method for monitoring the relative concentration of asphaltenes in a formation fluid comprising the steps of:

determining a relative concentration of asphaltenes in a formation fluid passing through a fluid flow path for recovering the formation fluid from a subsurface formation;

making a subsequent determination of the relative concentration of asphaltenes in the formation fluid; and

comparing the relative concentrations of asphaltenes in the formation fluid; wherein the determinations of the relative concentration of asphaltenes in the formation fluid is done on site, using a processor, in real time or near real time.

10

16. A method for monitoring and controlling the precipitation of asphaltenes out of a formation fluid comprising the steps of determining a relative concentration of asphaltenes in a formation fluid passing through a fluid flow path for recovering the formation fluid from a subsurface formation; making a subsequent determination of the relative concentration of asphaltenes in the formation fluid; and comparing the relative concentrations of asphaltenes in the formation fluid; wherein

15

the determinations of the relative concentration of asphaltenes in the formation fluid is done on site, using a processor, in real time or near real time and additionally comprising pumping additives into the formation fluid when the difference in the relative concentrations of asphaltenes in the formation fluid is outside of a predetermined range.

20

17. The method of Claim 16 wherein the relative concentration of asphaltenes in a formation fluid is determined by the processor using data from an a fiber optic attenuated total reflectance probe.

25

18. The method of Claim 17 wherein the data from an a fiber optic attenuated total reflectance probe is UV absorbance data.

19. The method of Claim 18 wherein the UV absorbance data is absorbance in the range of from about 220 nm to about 800 nm.
20. The method of Claim 19 wherein the UV absorbance data is absorbance in the range of from about 220 nm to about 400 nm.

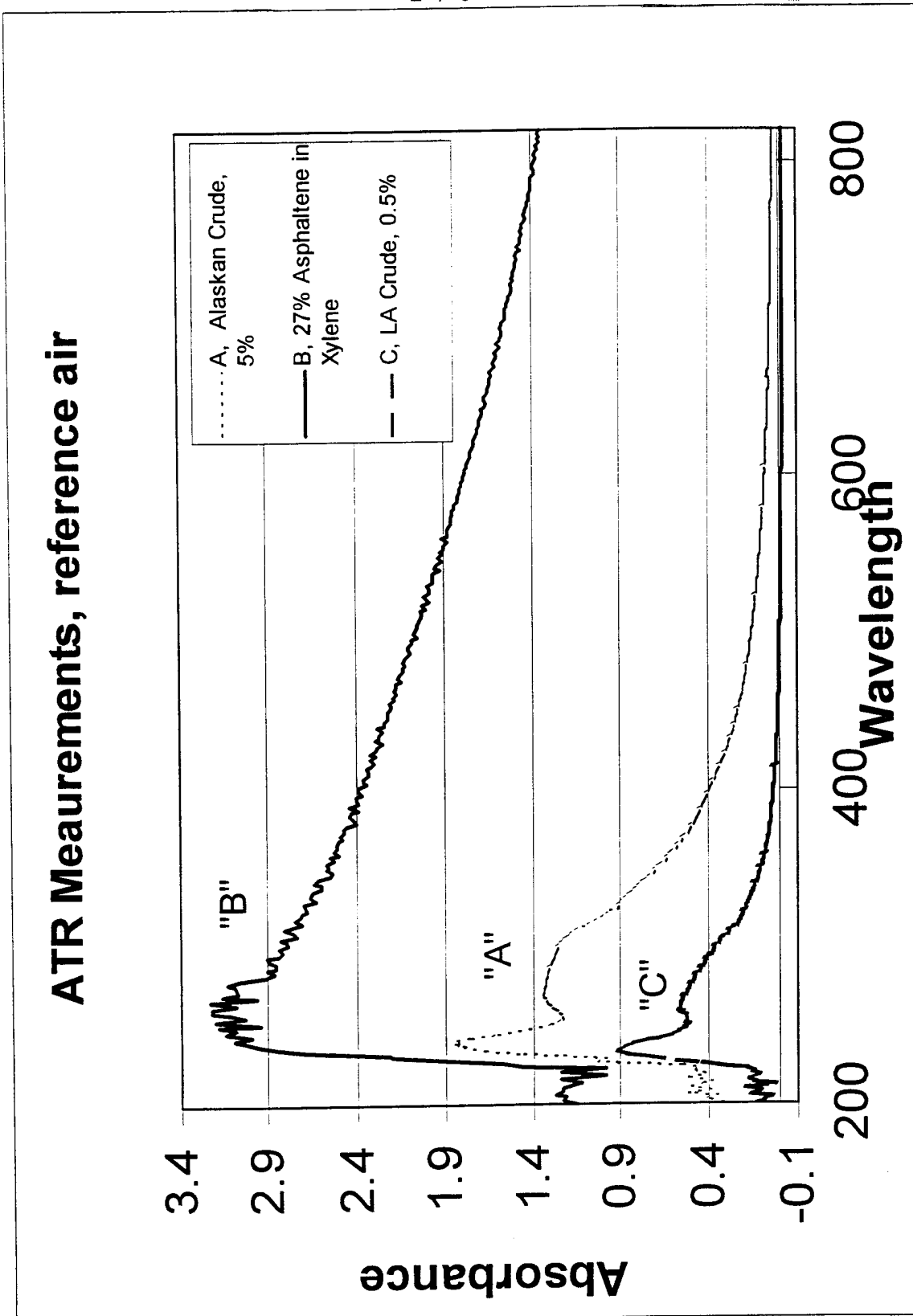


Fig. 2

Asphaltenes in whole crude, ATR probe, ref Toluene

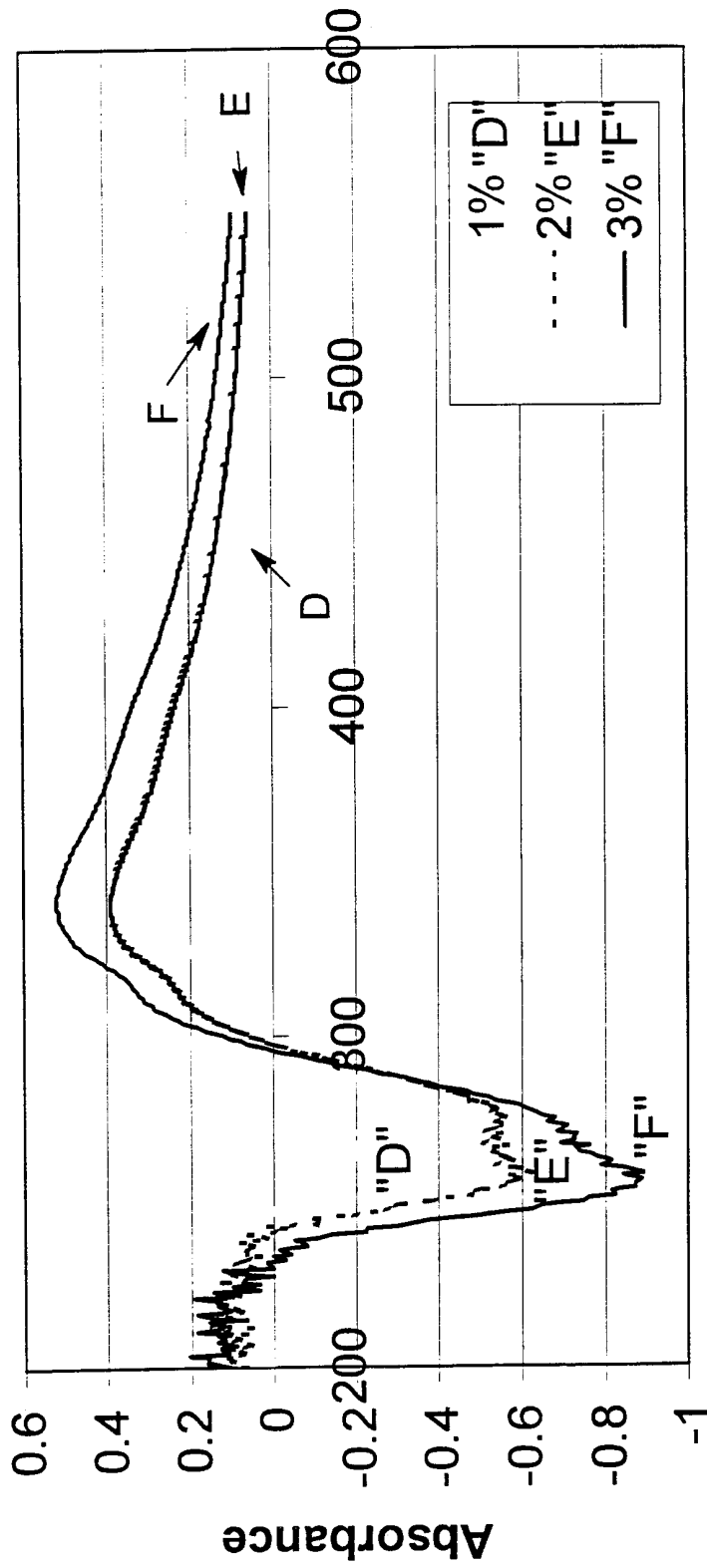


FIG. 3

Wavelength

Solvent Effects on Asphaltene Content of Crude

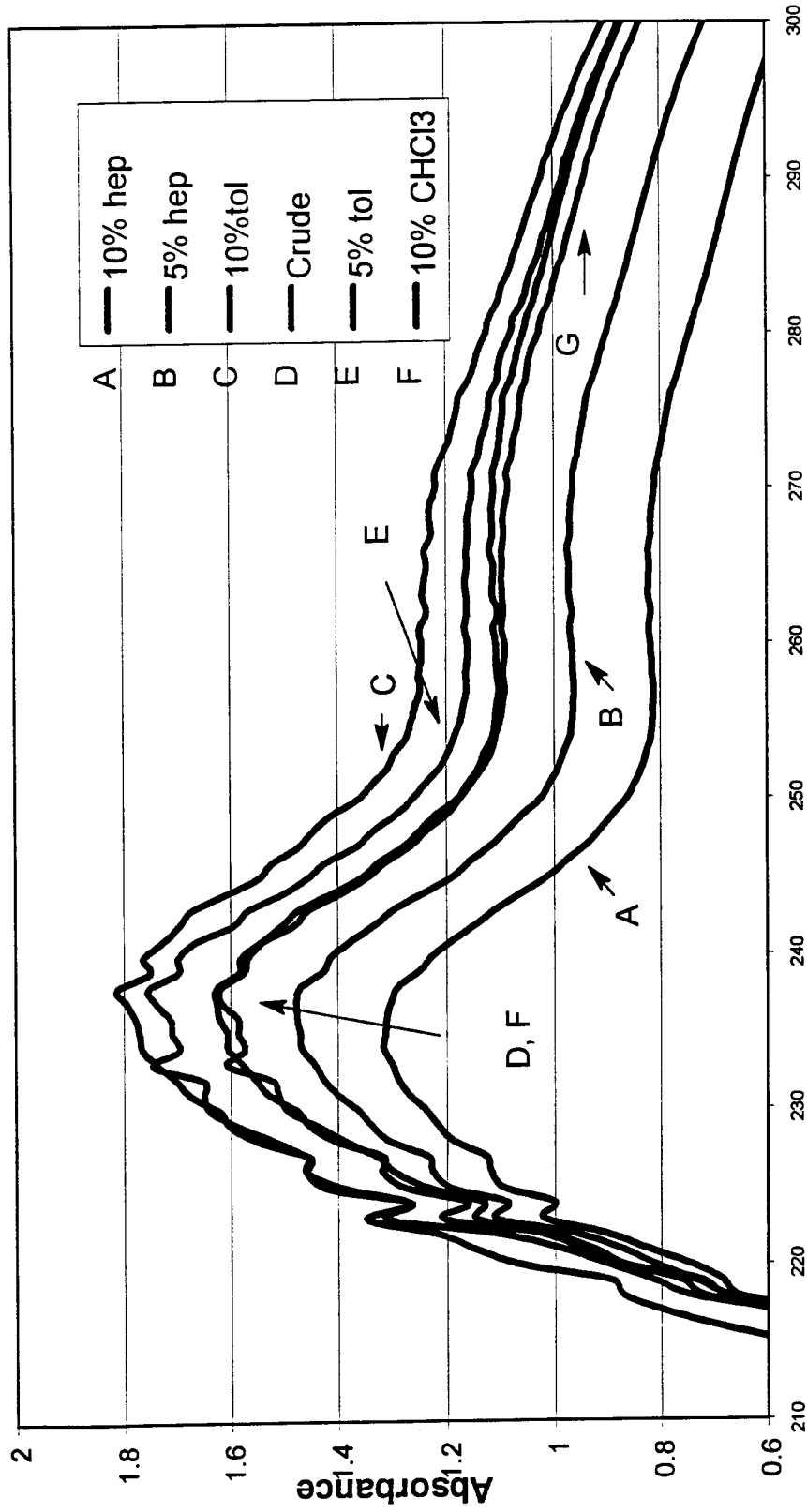


FIG. 5

Asphaltene Probe Calibration Chart
Standard Addition Method - Deepwater GOM Crude

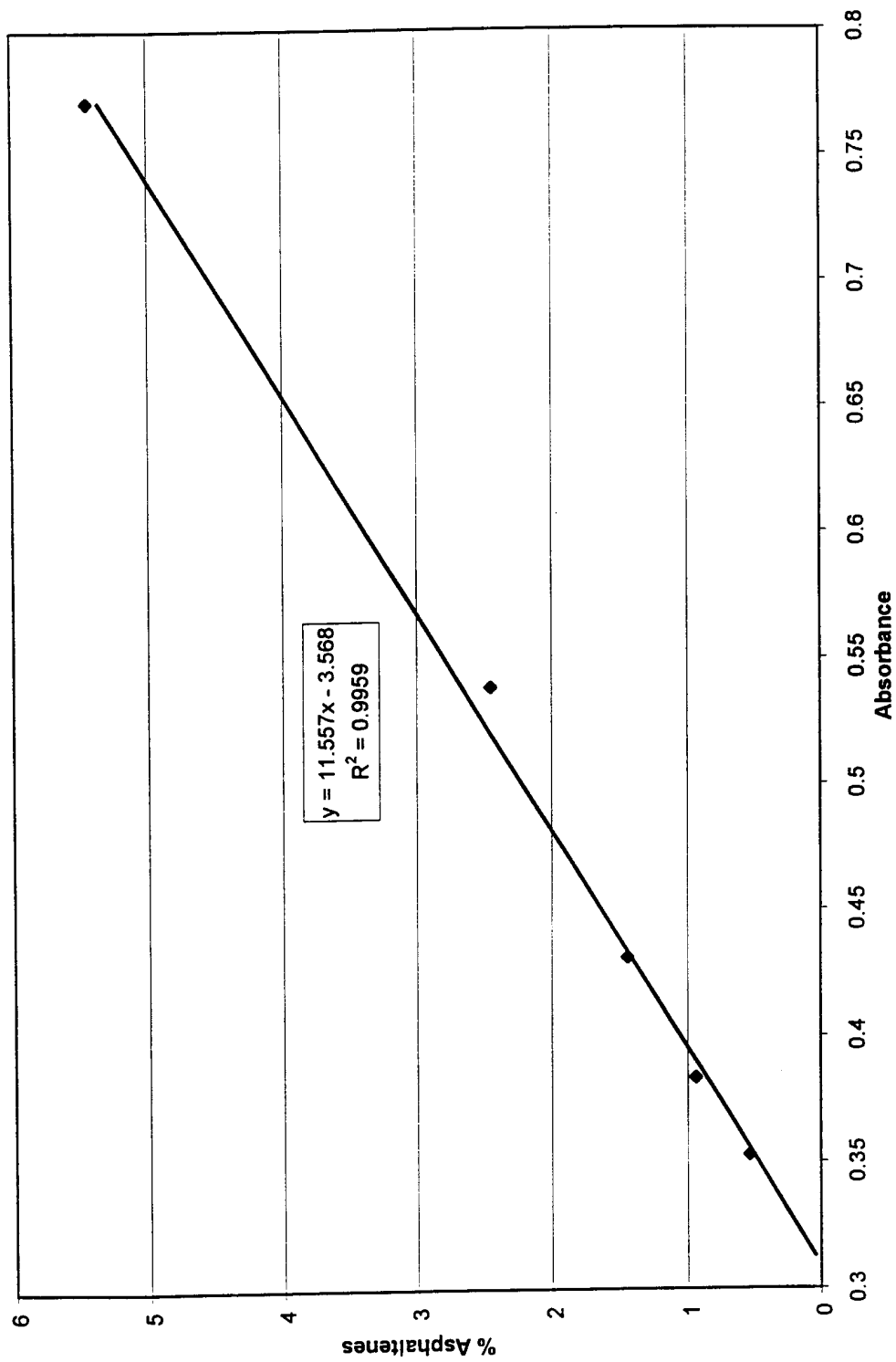


FIG. 4

INTERNATIONAL SEARCH REPORT

International Application No

PCT/US 00/29092

A. CLASSIFICATION OF SUBJECT MATTER
 IPC 7 E21B47/00 E21B37/06

According to International Patent Classification (IPC) or to both national classification and IPC

B. FIELDS SEARCHED

Minimum documentation searched (classification system followed by classification symbols)
 IPC 7 E21B

Documentation searched other than minimum documentation to the extent that such documents are included in the fields searched

Electronic data base consulted during the international search (name of data base and, where practical, search terms used)

EPO-Internal, TULSA

C. DOCUMENTS CONSIDERED TO BE RELEVANT

Category °	Citation of document, with indication, where appropriate, of the relevant passages	Relevant to claim No.
X	WO 98 57030 A (BAKER HUGHES INC.) 17 December 1998 (1998-12-17) page 5, line 2 - line 6 page 12, line 19 - line 31 claims 8,13	1-4
Y A	----- US 4 843 247 A (YAMAZOE ET AL.) 27 June 1989 (1989-06-27) claim 1	5-8,10 15,16
Y	----- US 5 754 722 A (MELLING) 19 May 1998 (1998-05-19) abstract	5-8,10
	----- -/--	

Further documents are listed in the continuation of box C.

Patent family members are listed in annex.

° Special categories of cited documents :

- *A* document defining the general state of the art which is not considered to be of particular relevance
- *E* earlier document but published on or after the international filing date
- *L* document which may throw doubts on priority claim(s) or which is cited to establish the publication date of another citation or other special reason (as specified)
- *O* document referring to an oral disclosure, use, exhibition or other means
- *P* document published prior to the international filing date but later than the priority date claimed

- *T* later document published after the international filing date or priority date and not in conflict with the application but cited to understand the principle or theory underlying the invention
- *X* document of particular relevance; the claimed invention cannot be considered novel or cannot be considered to involve an inventive step when the document is taken alone
- *Y* document of particular relevance; the claimed invention cannot be considered to involve an inventive step when the document is combined with one or more other such documents, such combination being obvious to a person skilled in the art.
- *G* document member of the same patent family

Date of the actual completion of the international search

5 February 2001

Date of mailing of the international search report

12/02/2001

Name and mailing address of the ISA

European Patent Office, P.B. 5818 Patentlaan 2
 NL - 2280 HV Rijswijk
 Tel. (+31-70) 340-2040, Tx. 31 651 epo nl,
 Fax: (+31-70) 340-3016

Authorized officer

RampeImann, K

INTERNATIONAL SEARCH REPORT

International Application No

PCT/US 00/29092

C.(Continuation) DOCUMENTS CONSIDERED TO BE RELEVANT

Category °	Citation of document, with indication, where appropriate, of the relevant passages	Relevant to claim No.
A	WO 98 50680 A (BAKER HUGHES INC.) 12 November 1998 (1998-11-12) abstract -----	1,5

INTERNATIONAL SEARCH REPORT

Information on patent family members

International Application No

PCT/US 00/29092

Patent document cited in search report	Publication date	Patent family member(s)	Publication date
WO 9857030 A	17-12-1998	AU 7273798 A	27-11-1998
		AU 7275398 A	27-11-1998
		AU 7501498 A	30-12-1998
		EP 0910725 A	28-04-1999
		EP 0988440 A	29-03-2000
		GB 2339902 A	09-02-2000
		NO 991350 A	19-03-1999
		NO 995319 A	20-12-1999
		NO 996082 A	08-02-2000
		WO 9850681 A	12-11-1998
WO 9850680 A	12-11-1998		
US 4843247 A	27-06-1989	JP 1816317 C	18-01-1994
		JP 5028778 B	27-04-1993
		JP 62110135 A	21-05-1987
		CA 1286521 A	23-07-1991
		DE 3650603 D	03-04-1997
		DE 3650603 T	10-07-1997
		DE 3689619 D	17-03-1994
		DE 3689619 T	30-06-1994
		EP 0245512 A	19-11-1987
		EP 0551145 A	14-07-1993
		WO 8703090 A	21-05-1987
		SG 47799 A	17-04-1998
		US 5754722 A	19-05-1998
WO 9850680 A	12-11-1998	AU 4902297 A	05-05-1998
		AU 7273798 A	27-11-1998
		AU 7275398 A	27-11-1998
		EP 0910725 A	28-04-1999
		GB 2334104 A	11-08-1999
		GB 2339902 A	09-02-2000
		NO 991350 A	19-03-1999
		NO 991667 A	27-05-1999
		NO 995319 A	20-12-1999
		WO 9815850 A	16-04-1998
		WO 9850681 A	12-11-1998
		AU 7501498 A	30-12-1998
		EP 0988440 A	29-03-2000
		NO 996082 A	08-02-2000
		WO 9857030 A	17-12-1998
		AU 8479898 A	08-02-1999
		GB 2343695 A	17-05-2000
		NO 20000113 A	08-03-2000
		WO 9902819 A	21-01-1999
		BR 9902017 A	21-03-2000