



US00D761503S

(12) **United States Design Patent**
Choi et al.

(10) **Patent No.:** **US D761,503 S**

(45) **Date of Patent:** **** Jul. 12, 2016**

(54) **WASHING MACHINE**

(71) Applicant: **Samsung Electronics Co., Ltd.**,
Suwon-si (KR)

(72) Inventors: **Hyoung-Sub Choi**, Goyang-si (KR);
Deok-Sang Yun, Ansan-si (KR)

(73) Assignee: **SAMSUNG ELECTRONICS CO., LTD.** (KR)

(**) Term: **15 Years**

(21) Appl. No.: **29/530,951**

(22) Filed: **Jun. 22, 2015**

(30) **Foreign Application Priority Data**

Dec. 22, 2014 (KR) 30-2014-0062383

(51) **LOC (10) CL.** **15-05**

(52) **U.S. Cl.**
USPC **D32/6**

(58) **Field of Classification Search**

USPC D32/3-6, 8, 10, 25, 28; 312/228, 228.1,
312/294, 236, 326; 8/137; 34/108, 595-597

CPC D06F 39/02; D06F 37/10; D06F 37/28;
D06F 58/00; A47B 77/08

See application file for complete search history.

(56) **References Cited**

U.S. PATENT DOCUMENTS

D621,563 S * 8/2010 Bixby D32/25
D648,085 S * 11/2011 Miller D32/28
D648,497 S * 11/2011 Bhattacharya D32/28
D697,680 S * 1/2014 Hwang D32/25
D704,907 S * 5/2014 Yoo D32/6

D709,657 S * 7/2014 Shin D32/25
D711,605 S * 8/2014 Jo D32/25
D729,994 S * 5/2015 Kang D32/6
D729,995 S * 5/2015 Song D32/6
D730,594 S * 5/2015 Kang D32/6
D744,177 S * 11/2015 Jung D32/6
2009/0229320 A1 * 9/2009 Yoo D06F 39/14
68/3 R
2015/0123521 A1 * 5/2015 Lee D06F 39/14
312/228

OTHER PUBLICATIONS

Korean Office Action with English Translation for Application No. 30-2014-0062382 dated May 21, 2015.

* cited by examiner

Primary Examiner — Rosemary K Tarcza

Assistant Examiner — Yolanda Robinson

(74) *Attorney, Agent, or Firm* — Cantor Colburn LLP

(57) **CLAIM**

The ornamental design for a washing machine, as shown and described.

DESCRIPTION

FIG. 1 is a perspective view of a washing machine, showing our new design;

FIG. 2 is a front view thereof;

FIG. 3 is a rear view thereof;

FIG. 4 is a side view thereof;

FIG. 5 is another side view thereof;

FIG. 6 is a top view thereof; and,

FIG. 7 is a bottom view thereof.

The broken lines in the figures are for environmental purposes only and form no part of the claimed design.

1 Claim, 7 Drawing Sheets

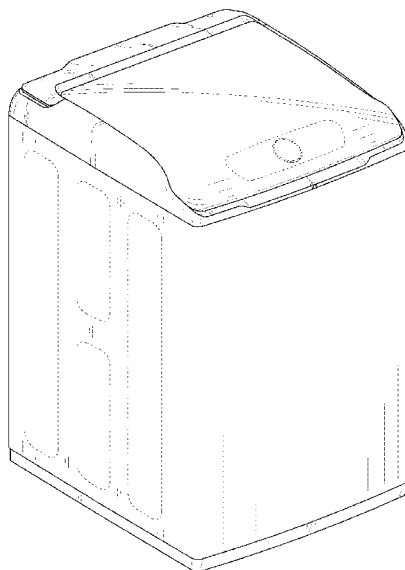


FIG. 1

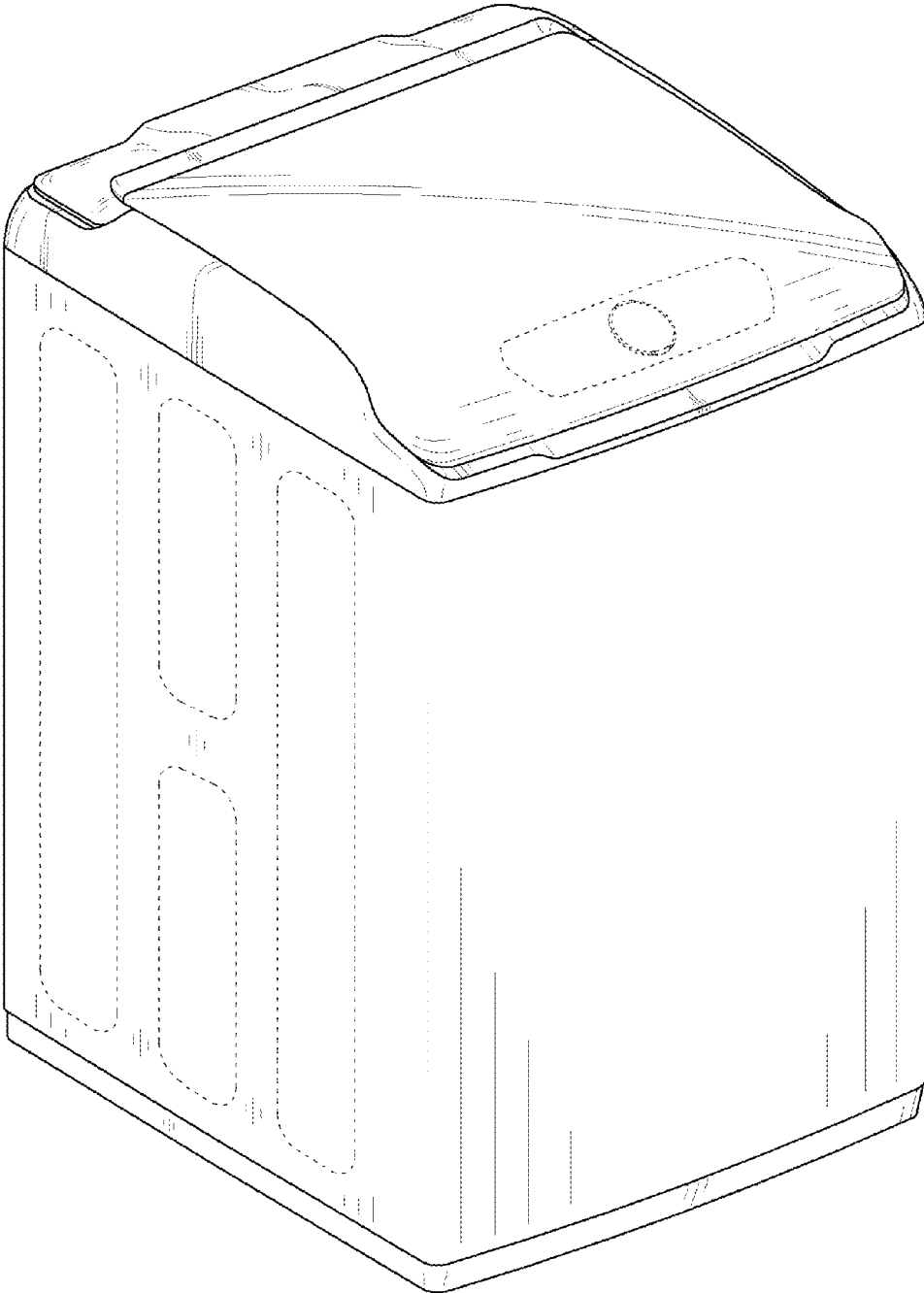


FIG. 2

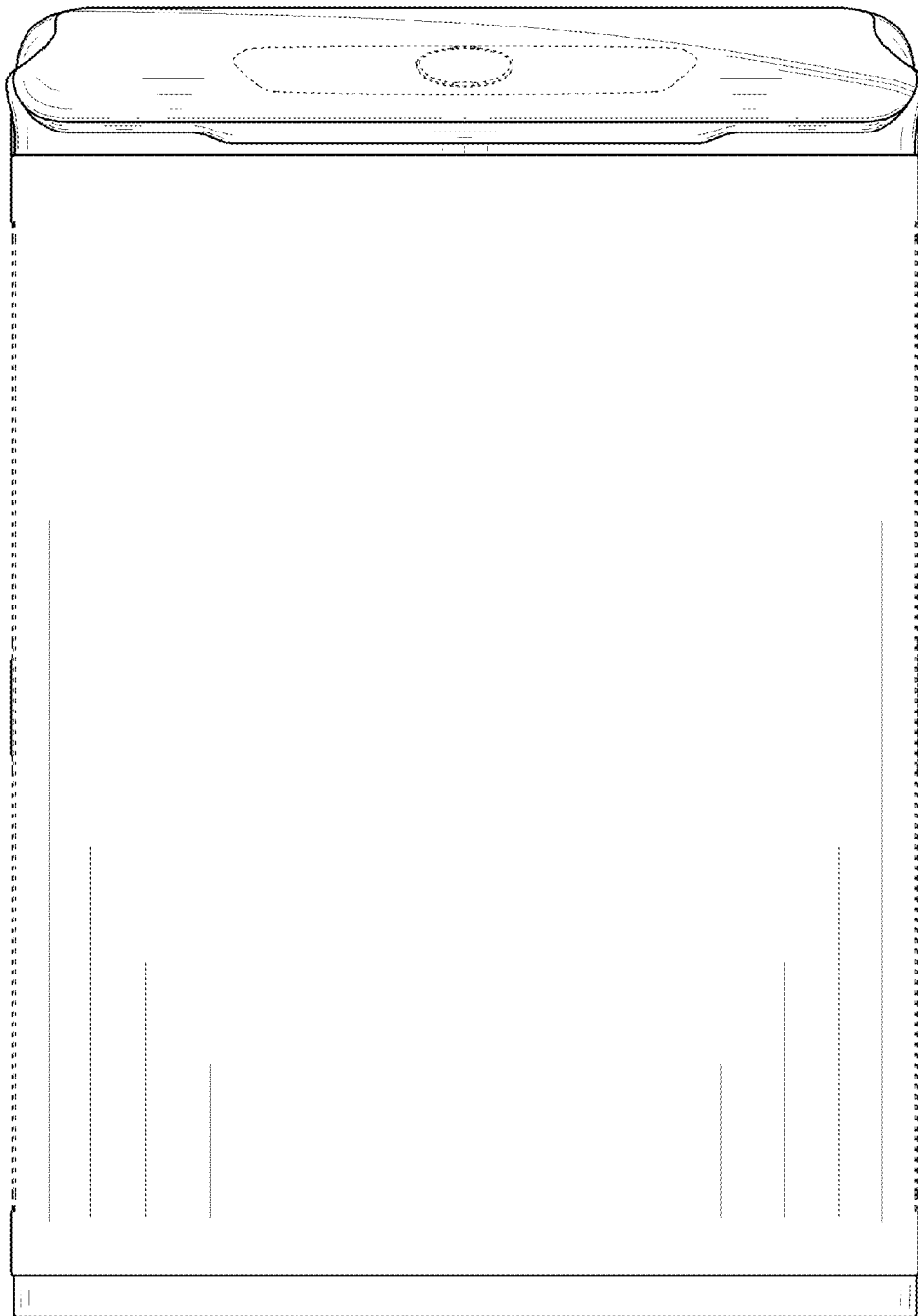


FIG. 3

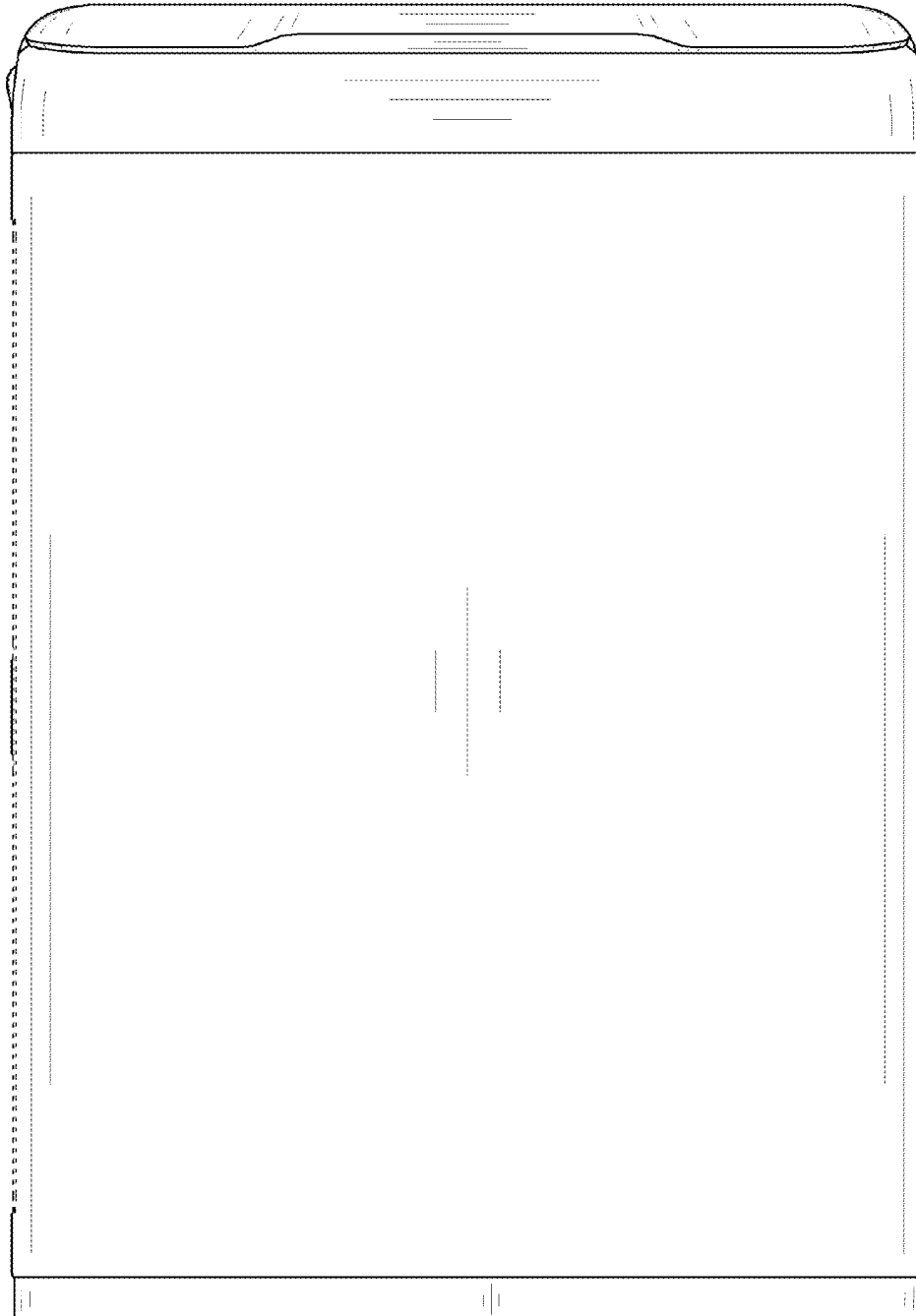


FIG. 4

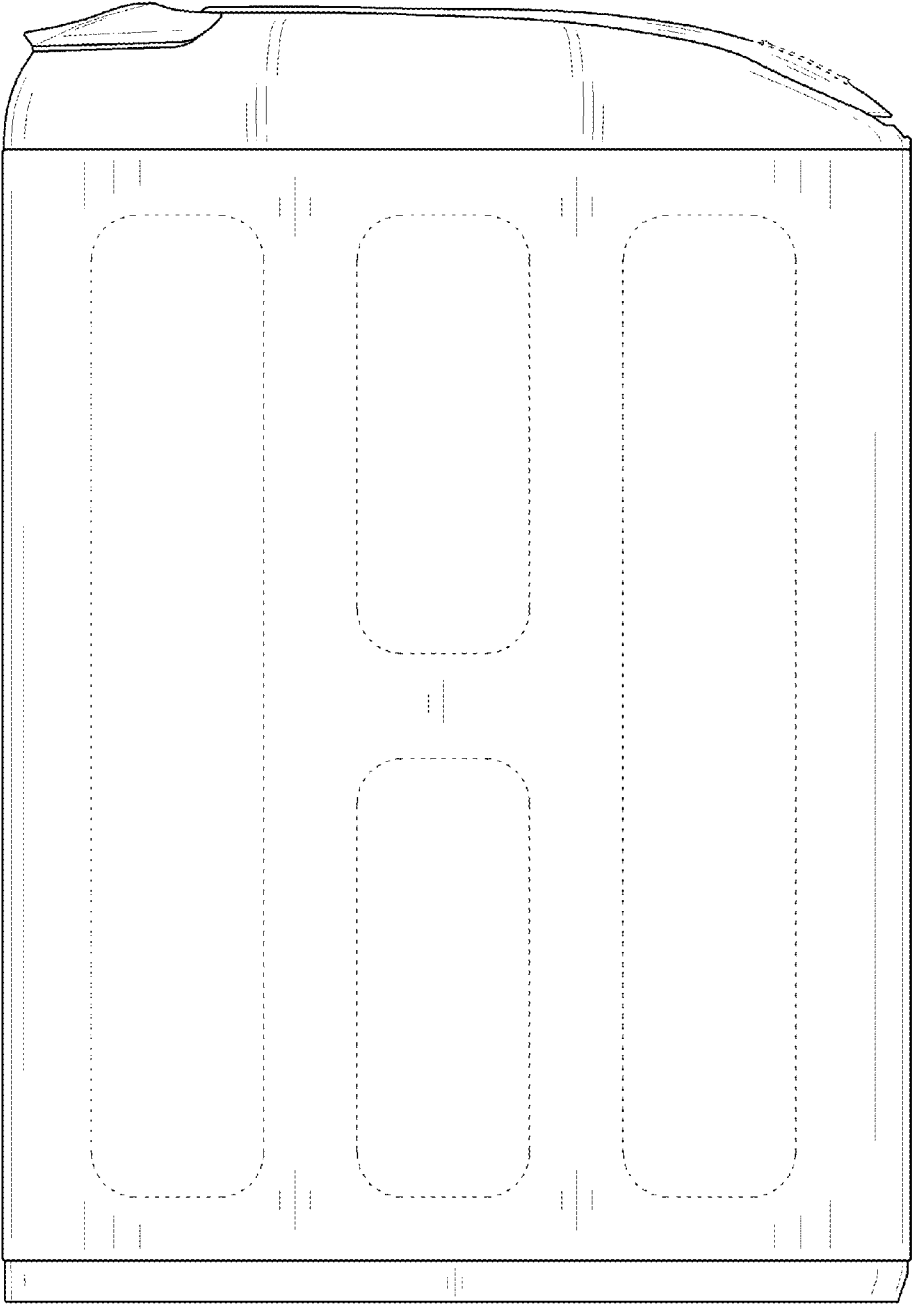


FIG. 5

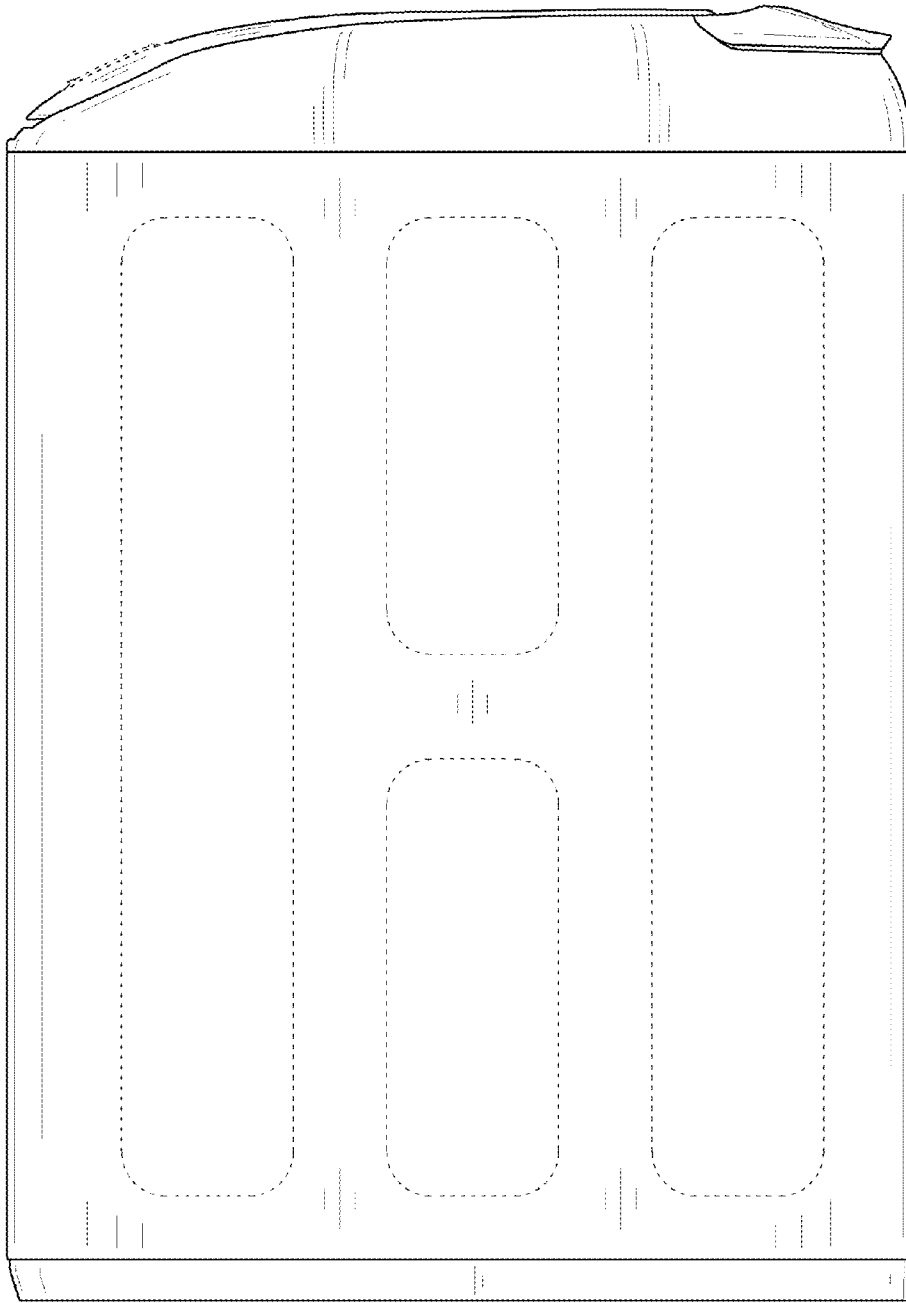


FIG. 6

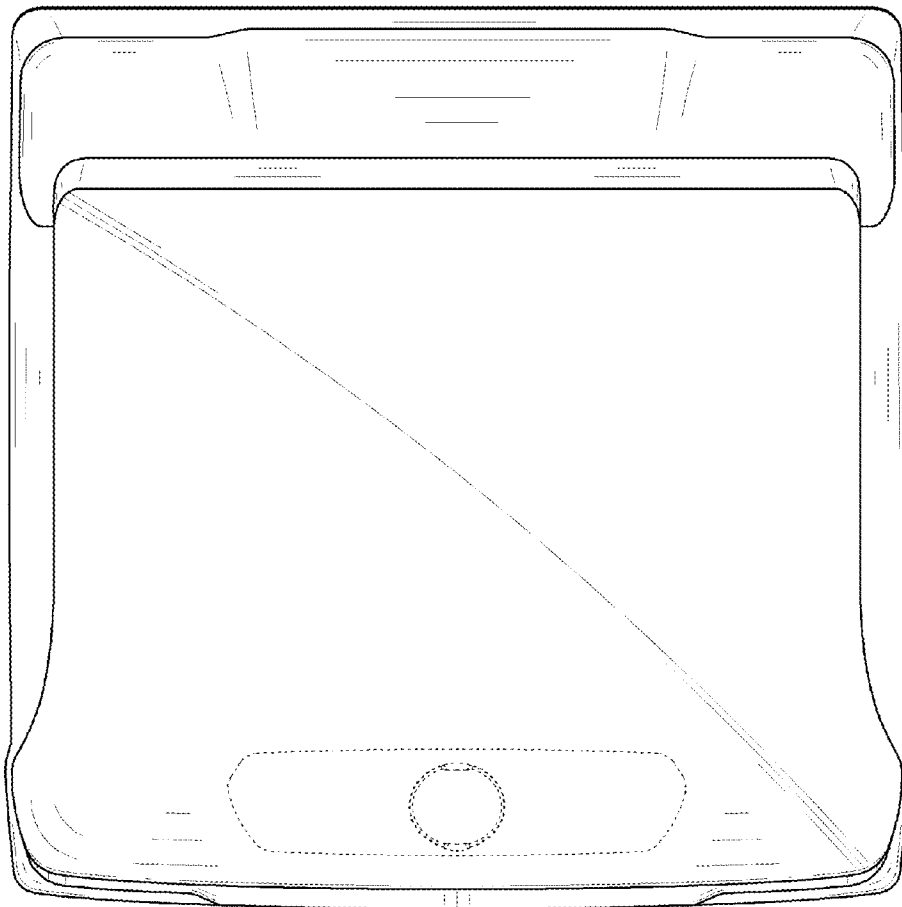


FIG. 7

