



(12) **United States Design Patent**
Tammabattula

(10) **Patent No.:** **US D866,074 S**
(45) **Date of Patent:** **** Nov. 5, 2019**

- (54) **SONIC SKINCARE BRUSH**
- (71) Applicant: **Qyk Brands, LLC**, Santa Ana, CA (US)
- (72) Inventor: **Rakesh Tammabattula**, Santa Ana, CA (US)
- (73) Assignee: **Qyk Brands, LLC**, Santa Ana, CA (US)
- (**) Term: **15 Years**
- (21) Appl. No.: **29/699,182**
- (22) Filed: **Jul. 23, 2019**

- D716,961 S 11/2014 Sedic
- D734,481 S 7/2015 Sedic
- D764,172 S 8/2016 Pan
- D767,226 S 9/2016 Albers
- D769,455 S 10/2016 Sedic
- D773,064 S 11/2016 Sedic

(Continued)

FOREIGN PATENT DOCUMENTS

- CN 303109591 S 2/2015
- CN 303193705 S 5/2015

(Continued)

OTHER PUBLICATIONS

Screenshots of QYK Sonic's ZOE Sonic Skincare Device from YouTube.com, video posted by a Brianna Stanko on Aug. 13, 2018 [online]. Retrieved from the Internet Jul. 17, 2019. URL: <https://www.youtube.com/watch?v=fMmJLA6Q8kU> 7 pages (Year: 2018).

(Continued)

Primary Examiner — Karen E Eldridge Powers
(74) *Attorney, Agent, or Firm* — Eric Kelly

(57) **CLAIM**

What is claimed is the ornamental design for a sonic skincare brush, as shown and described.

DESCRIPTION

FIG. 1 illustrates a perspective view of a new and ornamental sonic skincare brush;
FIG. 2 illustrates a front elevation view thereof;
FIG. 3 illustrates a rear (back) elevation view thereof;
FIG. 4 illustrates a right-side elevation view thereof;
FIG. 5 illustrates a left-side elevation view thereof;
FIG. 6 illustrates a top plan view thereof; and,
FIG. 7 illustrates a bottom plan view thereof.
The broken lines in the figures depict portions of the sonic skincare brush that form no part of the claimed design.

1 Claim, 5 Drawing Sheets

Related U.S. Application Data

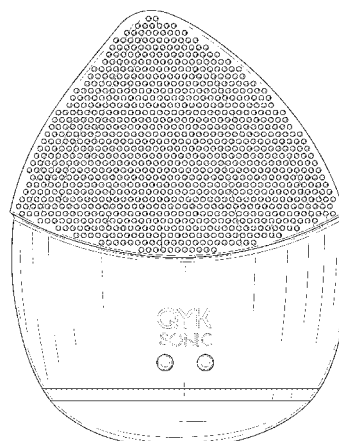
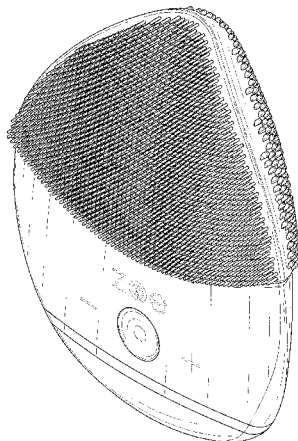
- (62) Division of application No. 29/680,596, filed on Feb. 18, 2019, now Pat. No. Des. 857,299.
- (51) **LOC (12) Cl.** **28-03**
- (52) **U.S. Cl.**
USPC **D28/63; D24/214; D4/100**
- (58) **Field of Classification Search**
USPC D4/100, 102, 121, 127, 128, 129, 130, D4/132, 133, 134, 136, 138, 199; D28/7, D28/63; D24/211, 214, 215; D32/35, 40
CPC . A47K 7/00; A47K 7/02; A47K 7/002; A47K 7/04; A47K 7/043; A61H 7/002; A61H 7/003; A61H 7/005; A61H 2205/022; A61H 2201/1692; A46B 2200/102; A46B 7/08; A46B 9/02; A46B 13/02; A46B 13/001

See application file for complete search history.

(56) **References Cited**

U.S. PATENT DOCUMENTS

- 1,705,249 A 3/1929 Henry
- 7,500,282 B1 3/2009 Park
- D698,455 S 1/2014 Sedic



(56)

References Cited

U.S. PATENT DOCUMENTS

D782,689 S * 3/2017 Sedic A61H 23/004
 D24/215
 D783,173 S 4/2017 Sedic
 D795,593 S 8/2017 Huang
 D795,594 S 8/2017 Thornton
 D796,212 S 9/2017 Thornton
 D804,189 S 12/2017 von Berg
 D811,097 S 2/2018 Supple
 9,889,065 B2 2/2018 Sedic
 D812,379 S 3/2018 Ng
 9,907,439 B2 3/2018 Sedic
 D814,804 S 4/2018 Roth
 D816,342 S 5/2018 Tai
 D818,272 S 5/2018 Tai
 D819,338 S 6/2018 Xiong
 D822,387 S 7/2018 Tai
 D823,606 S 7/2018 Roth
 10,028,884 B2 7/2018 Sedic
 D825,124 S 8/2018 Celia
 D829,335 S 9/2018 Park
 D837,994 S 1/2019 Sedic
 D838,045 S 1/2019 Miller
 D838,112 S 1/2019 Yi
 10,213,064 B2 2/2019 Sedic
 D845,630 S * 4/2019 Sedic D4/100
 D852,972 S * 7/2019 Sedic D24/214
 D857,299 S * 8/2019 Tammabattula D28/63
 2004/0153014 A1 8/2004 Sage
 2007/0118963 A1 5/2007 Snyder
 2014/0194900 A1 7/2014 Sedic
 2015/0105802 A1 4/2015 Sedic
 2016/0135582 A1 5/2016 Yen
 2018/0028395 A1 2/2018 Roth
 2018/0168913 A1 6/2018 Sedic

FOREIGN PATENT DOCUMENTS

CN 303499920 S 12/2015
 CN 303686058 S 5/2016
 CN 304035193 S 2/2017
 CN 304049527 S 2/2017
 CN 304091539 S 3/2017
 CN 304451921 S 1/2018
 CN 304490046 S 2/2018
 CN 304495658 S 2/2018
 CN 304506943 S 2/2018
 CN 304520914 S 2/2018
 CN 304851542 S 10/2018
 EM 006064218-0001 S 1/2019
 KR 300949593.0000 S 3/2018

OTHER PUBLICATIONS

Silicon Deep Clean Facial Cleanser [online]. Retrieved from the Internet May 27, 2018. URL: <https://sites.google.com/a/d.toctai.net/us310/silicon-deep-clean-facial-cleanser-vibration-cleaning-pulsating-brushes-electric-face-massager-for-skin-care> 21 pages (Year: 2018).
 Sonic Cleansing Brush with Medical Grade Silica Gel [online]. Retrieved from the Internet Jul. 17, 2019. URL: <https://web.archive.org/web/20150317084955/https://www.ibeutymachine.com/sonic-cleansing-brush-with-medical-grade-silicone.html> 7 pages (Year: 2018).
 ZOE Sonic Skincare Device [online]. Published Jan. 10, 2018; retrieved from the Internet Apr. 11, 2019. URL: <https://web.archive.org/web/20180110172230/https://qyksonic.com/?variant=5720569151531> 15 pages (Year: 2018).

* cited by examiner

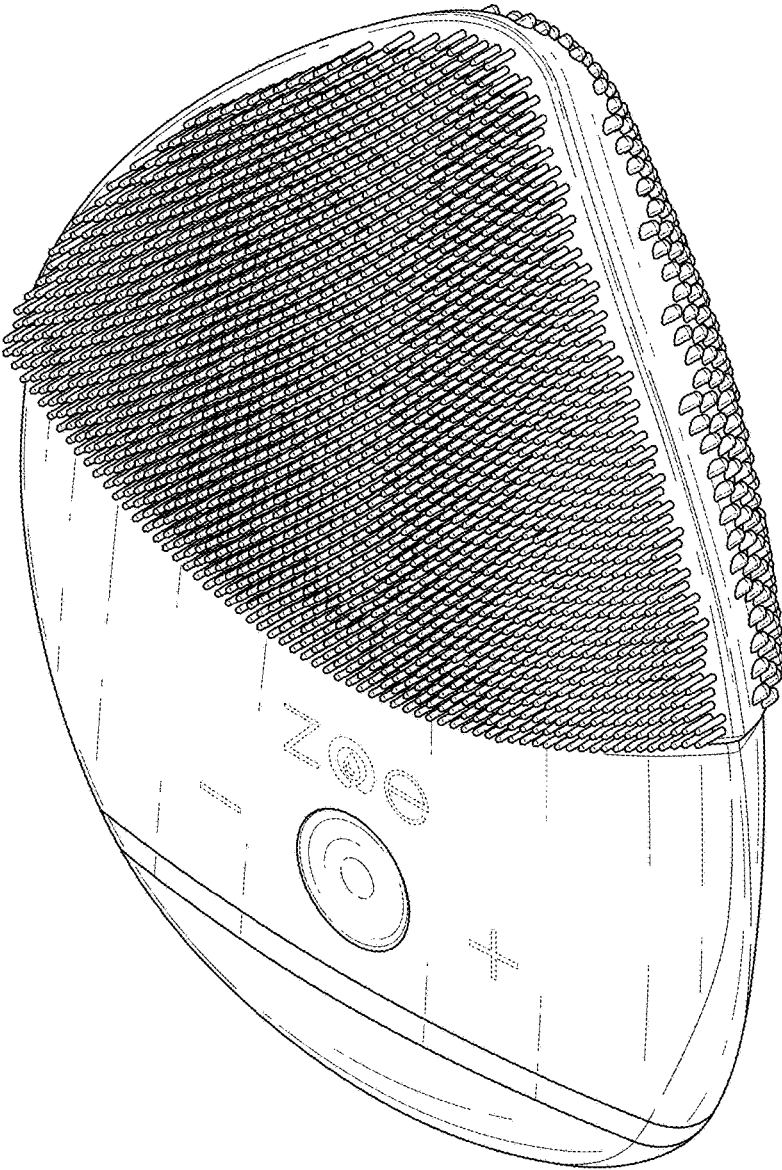


FIG. 1

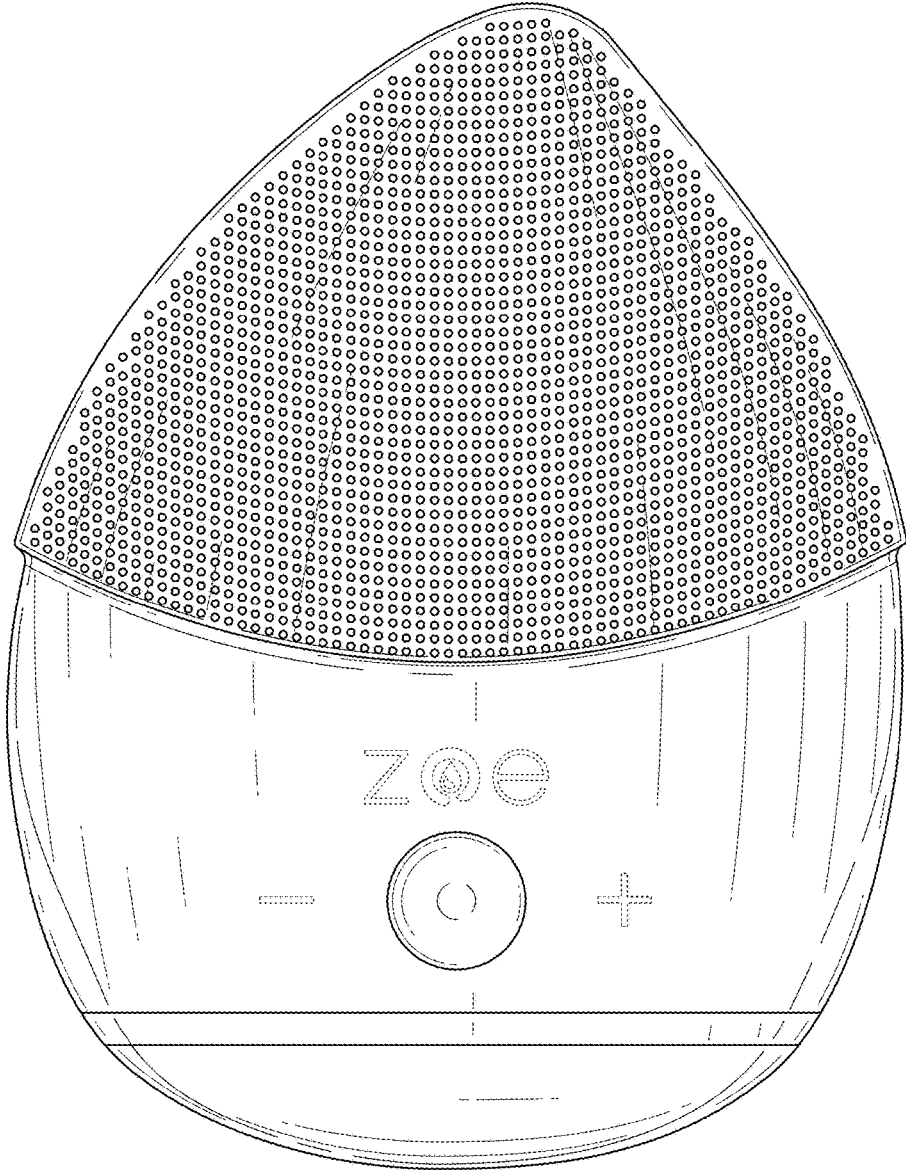


FIG. 2

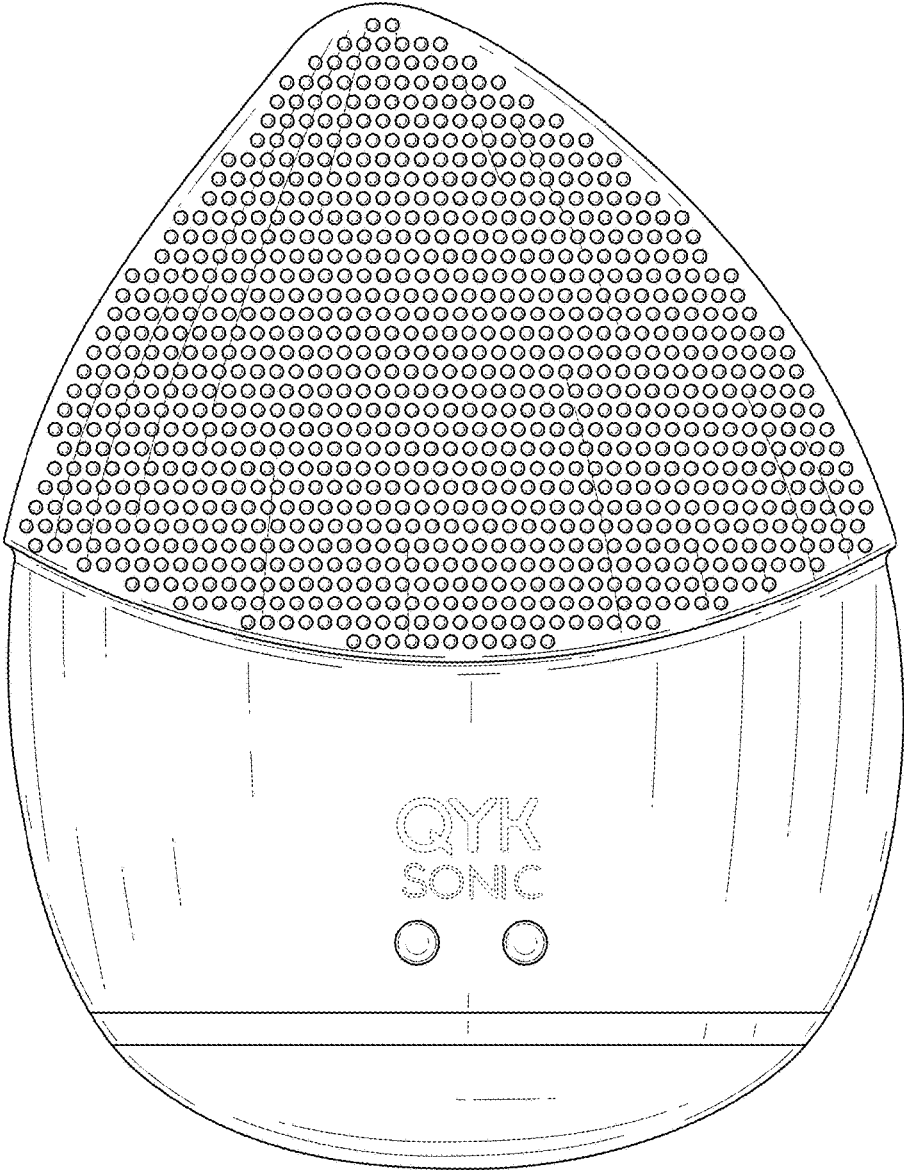


FIG. 3

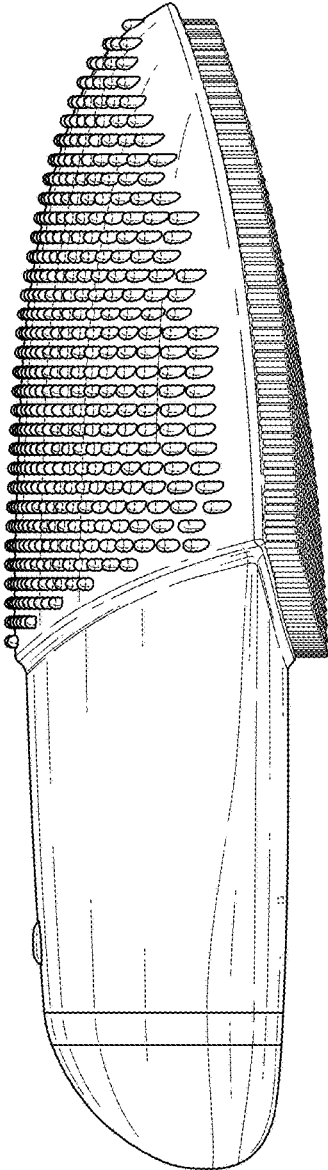


FIG. 4

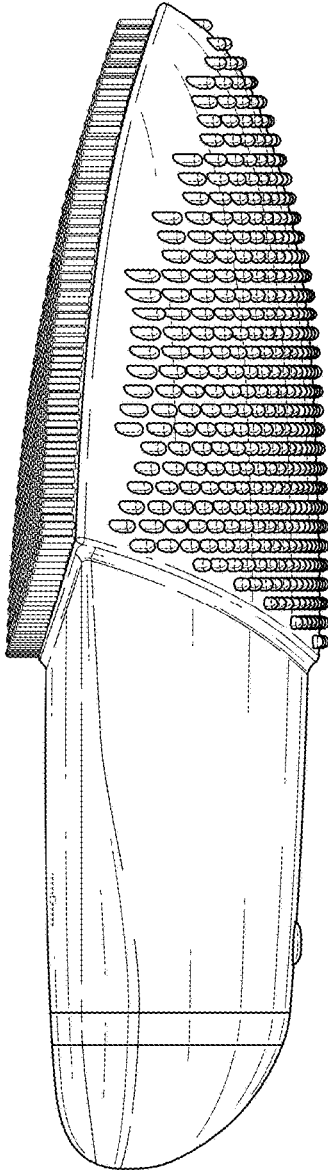


FIG. 5

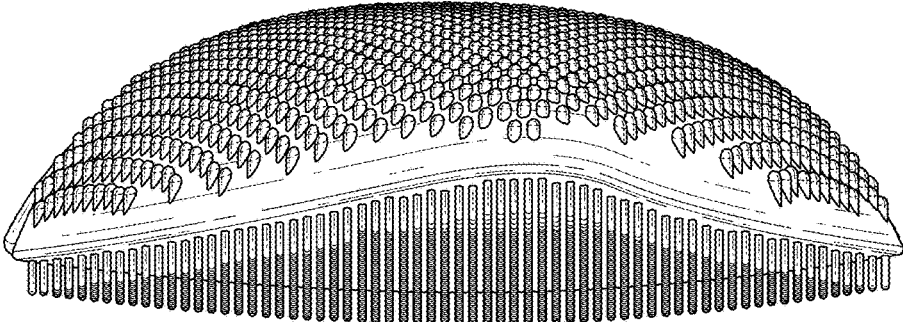


FIG. 6

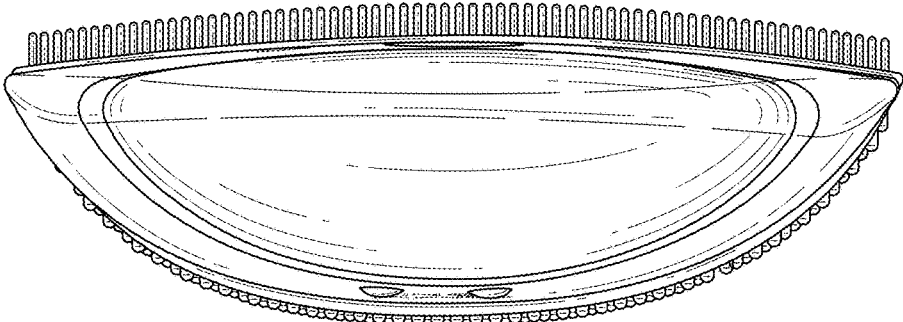


FIG. 7