



US0D1006705S

(12) **United States Design Patent**
Tran

(10) **Patent No.:** **US D1,006,705 S**

(45) **Date of Patent:** **** Dec. 5, 2023**

(54) **WHEEL**

(71) Applicant: **Wheel Pros, LLC**, Greenwood Village, CO (US)

(72) Inventor: **Peter Tran**, Lake Hughes, CA (US)

(73) Assignee: **Wheel Pros LLC**, Greenwood Village, CO (US)

(**) Term: **15 Years**

D499,684 S	12/2004	Cheng	
D504,859 S	5/2005	Sulahian	
D505,374 S	5/2005	Aleman	
D510,307 S	10/2005	Howes	
D523,797 S	6/2006	Gallert	
D524,212 S	7/2006	Phillips	
D524,220 S	7/2006	Scheu	
D527,327 S *	8/2006	Laengerer D12/211
D528,495 S	9/2006	Truebsbach	
D542,209 S	5/2007	Pfeiffer	
D549,148 S	8/2007	Buschmann	
D577,650 S	9/2008	Chung	

(Continued)

(21) Appl. No.: **29/814,010**

FOREIGN PATENT DOCUMENTS

(22) Filed: **Nov. 2, 2021**

CN	307442162	*	7/2022
CN	307835140	*	2/2023
WO	D213986-002	*	4/2023

(51) **LOC (14) Cl.** **12-16**

(52) **U.S. Cl.**

USPC **D12/211**

(58) **Field of Classification Search**

USPC D12/204–213; D21/563

CPC B60B 7/00; B60B 7/02; B60B 7/04; B60B

7/06; B60B 3/02; B60B 3/04; B60B 3/06;

B60B 3/08; B60B 3/10; B60B 1/00;

B60B 1/08; B60B 1/10; B60B 1/12

See application file for complete search history.

OTHER PUBLICATIONS

BBS CO Titanium Gunmetal, available in TireRack.com, announced Year 2022 [online], [site visited May 22, 2023], Internet URL: https://www.tirerack.com/wheels/bbs-co-titanium-gunmetal.*

(Continued)

(56) **References Cited**

U.S. PATENT DOCUMENTS

D291,796 S	9/1987	Reid	
D361,975 S	9/1995	Weld	
D391,216 S	2/1998	Ballmann	
D408,775 S	4/1999	Shikado	
6,068,345 A *	5/2000	Bressie B60B 7/00 134/123

D453,492 S	2/2002	Laengerer	
D455,698 S	4/2002	Chung	
D467,212 S	12/2002	Noriega	
D470,094 S	2/2003	van Hooydonk	
D480,036 S	9/2003	Laengerer	
D482,996 S	12/2003	Sulahian	
D492,925 S	7/2004	Fitzgerald	
D496,317 S	9/2004	Kataoka	

Primary Examiner — Darlington Ly

Assistant Examiner — D. Ryan Tisdale

(74) *Attorney, Agent, or Firm* — Eric Hanscom

(57) **CLAIM**

The ornamental design for a wheel, as shown and described.

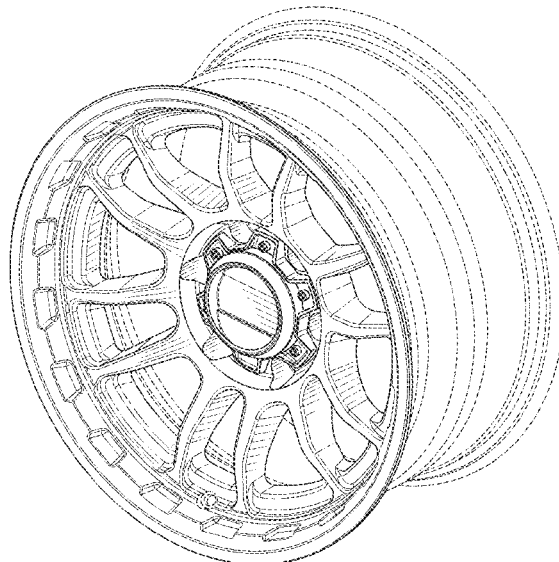
DESCRIPTION

FIG. 1 is a perspective view of a wheel showing my new design; and,

FIG. 2 is a front view thereof.

In the drawings, the broken lines depict portions of the wheel that form no part of the claimed design.

1 Claim, 2 Drawing Sheets



(56)

References Cited

U.S. PATENT DOCUMENTS

D579,845 S 11/2008 Chung
 D582,831 S 12/2008 Musser
 D617,723 S 6/2010 Zhao
 D623,109 S 9/2010 Markefka
 D635,903 S 4/2011 Zhang
 D654,007 S 2/2012 Nissl
 D654,420 S 2/2012 Guay
 D660,771 S 5/2012 Mueller-Stolz
 D686,961 S 7/2013 Chung
 D698,298 S 1/2014 Cortes
 D698,300 S 1/2014 Chung
 D704,117 S 5/2014 Chung
 D704,617 S 5/2014 Chung
 D706,197 S 6/2014 Chung
 D707,167 S 6/2014 Chung
 D709,020 S 7/2014 Chung
 D713,316 S 9/2014 Song
 D714,207 S 9/2014 Kim
 D717,709 S 11/2014 Valencia Pollex
 D719,893 S 12/2014 Kim
 D726,627 S * 4/2015 Chung D12/211
 D731,946 S 6/2015 Chung
 D742,293 S 11/2015 Chung
 D753,046 S 4/2016 Liffick

D756,882 S 5/2016 Tirado
 D766,805 S 9/2016 Chung
 D769,785 S 10/2016 Wells
 D780,655 S 3/2017 Trim
 D980,770 S * 3/2023 Sempek D12/209
 D980,772 S * 3/2023 Mao D12/209
 D981,304 S * 3/2023 Scenna D12/209
 D981,930 S * 3/2023 Verbrugge D12/211
 D982,492 S * 4/2023 Chartier D12/209
 D982,494 S * 4/2023 Dionisopoulos D12/209
 D983,115 S * 4/2023 Bernoni D12/209
 D983,719 S * 4/2023 Echazabal D12/209
 D984,344 S * 4/2023 Kasper D12/209
 D984,946 S * 5/2023 Greiving D12/211

OTHER PUBLICATIONS

Alutec Monstr Bright Silver Paint, available in TireRack.com, announced Year 2022 [online], [site visited May 22, 2023], Internet URL: <https://www.tirerack.com/wheels/alutec-monstr-bright-silver-paint>.*

American Racing AR944 Hyper Silver, available in TireRack.com, announced Year 2023 [online], [site visited May 22, 2023], Internet URL: <https://www.tirerack.com/wheels/american-racing-ar944-hyper-silver>.*

* cited by examiner

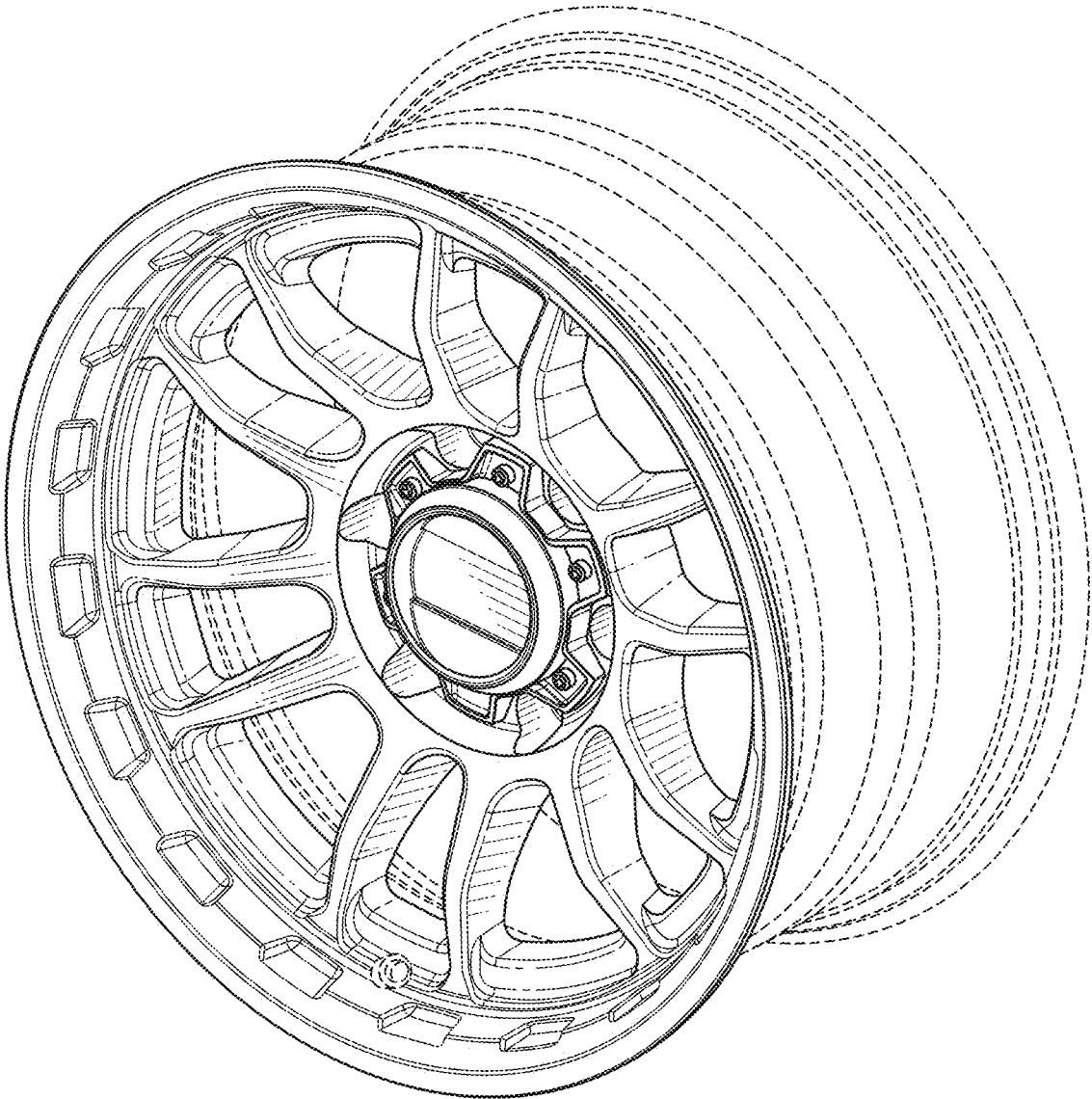


FIG. 1

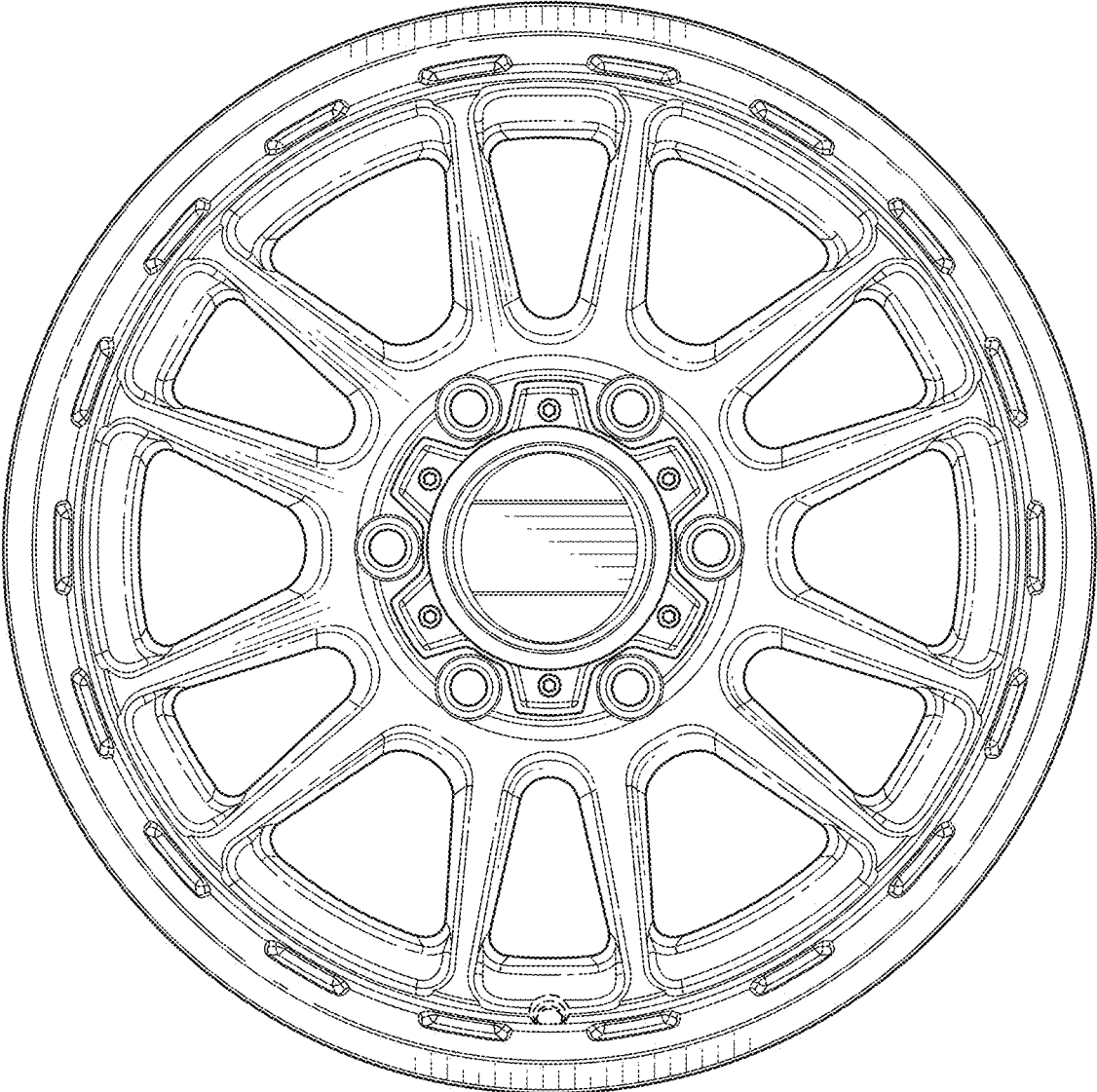


FIG. 2