



(12) **United States Design Patent**
Hung et al.

(10) **Patent No.:** **US D908,039 S**
(45) **Date of Patent:** **** Jan. 19, 2021**

(54) **PLANTER AND PACKAGE COMBINATION**

1,146,515 A 7/1915 Potter
1,625,620 A 4/1927 Maston
(Continued)

(71) Applicant: **ATT Southern, Inc.**, Camp Hill, PA (US)

(72) Inventors: **Chun Hung**, Dillsburg, PA (US); **Brian Leahy**, Atlanta, GA (US); **Patrick Guillory**, Smyrna, GA (US); **Phillip Lemke**, Schuylkill Haven, PA (US); **John Carpenter**, Camp Hill, PA (US)

(73) Assignee: **ATT Southern, Inc.**, Camp Hill, PA (US)

(**) Term: **15 Years**

(21) Appl. No.: **29/702,665**

(22) Filed: **Aug. 21, 2019**

Related U.S. Application Data

(60) Division of application No. 29/586,077, filed on Nov. 30, 2016, now Pat. No. Des. 862,282, which is a continuation-in-part of application No. 29/567,117, filed on Jun. 6, 2016, now Pat. No. Des. 837,094.

(51) **LOC (13) Cl.** **11-02**

(52) **U.S. Cl.**
USPC **D11/152**

(58) **Field of Classification Search**
USPC D11/151, 154, 156, 152, 157, 143, 148, D11/425; D6/403, 405, 513, 556, 572, D6/565, 573, 675.1, 680.1; D21/338; D23/267; D25/164; D34/7; D3/276, D3/292, 308, 313, 315; D7/359, 550.1, D7/554.3, 600; D8/381; D99/5; D9/425
CPC A47G 7/044; A01G 31/02; A01G 9/12; B65D 85/62

See application file for complete search history.

(56) **References Cited**

U.S. PATENT DOCUMENTS

1,059,359 A 4/1913 Hahn
1,116,694 A 11/1914 Hahn

OTHER PUBLICATIONS

U.S. Office Action for U.S. Appl. No. 16/568,732, dated May 22, 2020, 8 pages.

Primary Examiner — Karen S Acker
Assistant Examiner — Steven B Reinholdt, Jr.

(74) *Attorney, Agent, or Firm* — Brooks Kushman P.C.

(57) **CLAIM**

The ornamental design for a planter and package combination, as shown and described.

DESCRIPTION

FIG. 1 is a top perspective view of a planter and package combination according to our new design;

FIG. 2 is a bottom perspective view of the planter and package combination of FIG. 1;

FIG. 3 is a top plan view of the planter and package combination of FIG. 1;

FIG. 4 is a bottom view of the planter and package combination of FIG. 1;

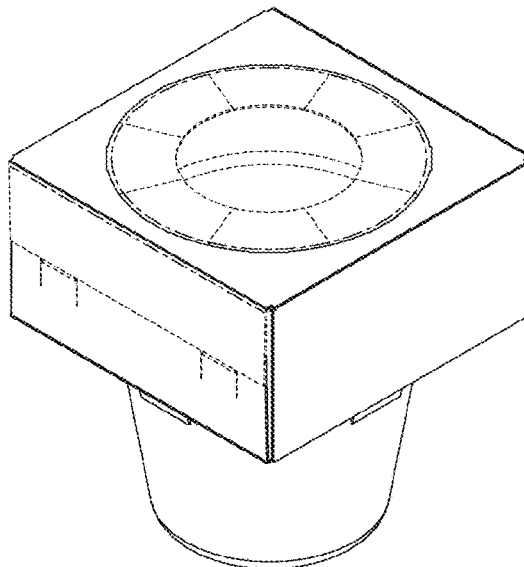
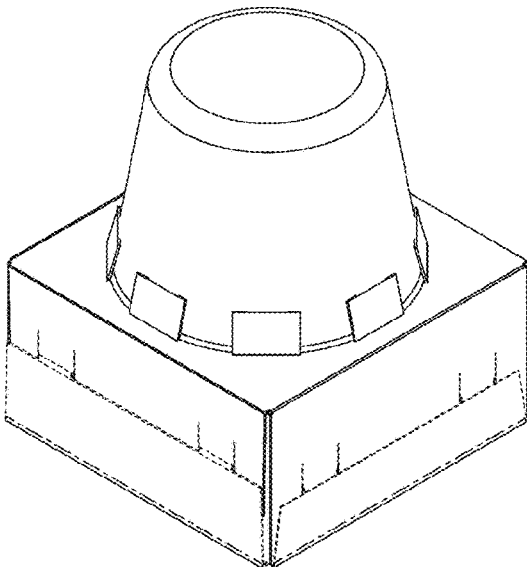
FIG. 5 is a front side elevation view of the planter and package combination of FIG. 1; the rear side elevation view is a mirror image thereof;

FIG. 6 is a left side elevation view of the planter and package combination of FIG. 1; and,

FIG. 7 is a right side elevation view of the planter and package combination of FIG. 1.

The broken lines and the areas within them depict portions of the planter and package combination and form no part of the claimed design. Dot-dash-dot broken lines depict the boundaries of the claim and form no part thereof.

1 Claim, 3 Drawing Sheets



(56)

References Cited

U.S. PATENT DOCUMENTS

3,414,132	A	12/1968	Cornu		D532,715	S	11/2006	Schmidt	
D232,753	S	9/1974	Jalakas		7,140,149	B2	11/2006	Searle et al.	
D238,088	S	12/1975	Grosfillex		D570,245	S	6/2008	McAbee	
4,236,353	A	12/1980	Sorenson		D571,688	S	6/2008	White	
5,141,149	A	8/1992	Fulton		D686,913	S	7/2013	Kirk et al.	
D340,204	S	10/1993	Grosfillex		D688,589	S	8/2013	Hung et al.	
D346,135	S	4/1994	Carlson		D689,793	S	9/2013	Yung	
D361,738	S	8/1995	Shryock		D702,548	S	4/2014	Flury	
5,522,537	A	6/1996	Barlow		D724,481	S	3/2015	Blouin	
D376,769	S	12/1996	Kreidler		8,985,329	B2	3/2015	Ullrich	
D392,914	S	3/1998	Friend		D745,428	S	12/2015	Morris	
D399,456	S	10/1998	Weder et al.		D763,105	S	8/2016	Forowycz et al.	
D402,229	S	12/1998	Christensen		9,586,739	B2	3/2017	Jego	
D428,360	S	7/2000	Herzog-Mesrobian		9,676,511	B2	6/2017	Kaltman et al.	
D438,487	S	3/2001	Madden, IV		D801,213	S	10/2017	Kim	
D455,979	S	4/2002	Salenger		D808,080	S	1/2018	Corey et al.	
6,422,390	B1 *	7/2002	Humphrey	B65D 85/42 206/421	D817,221	S	5/2018	Stowe et al.	
6,442,390	B1	8/2002	Sano		D837,094	S	1/2019	Hung et al.	
6,516,563	B1	2/2003	Matthews		D853,234	S	7/2019	Aziz	
D480,326	S	10/2003	Carlson		D862,282	S *	10/2019	Hung	D11/152
D491,061	S	6/2004	Bouroullec et al.		D877,652	S *	3/2020	Hung	D11/152
					2005/0072704	A1	4/2005	Patz et al.	
					2013/0036669	A1	2/2013	Rabii et al.	
					2017/0349367	A1 *	12/2017	Hung	B65D 5/42

* cited by examiner

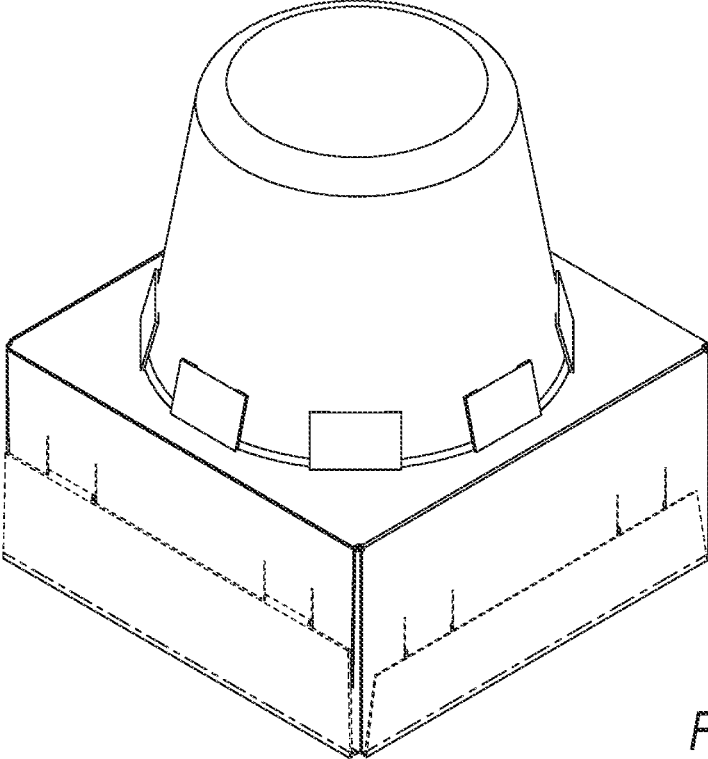


FIG. 1

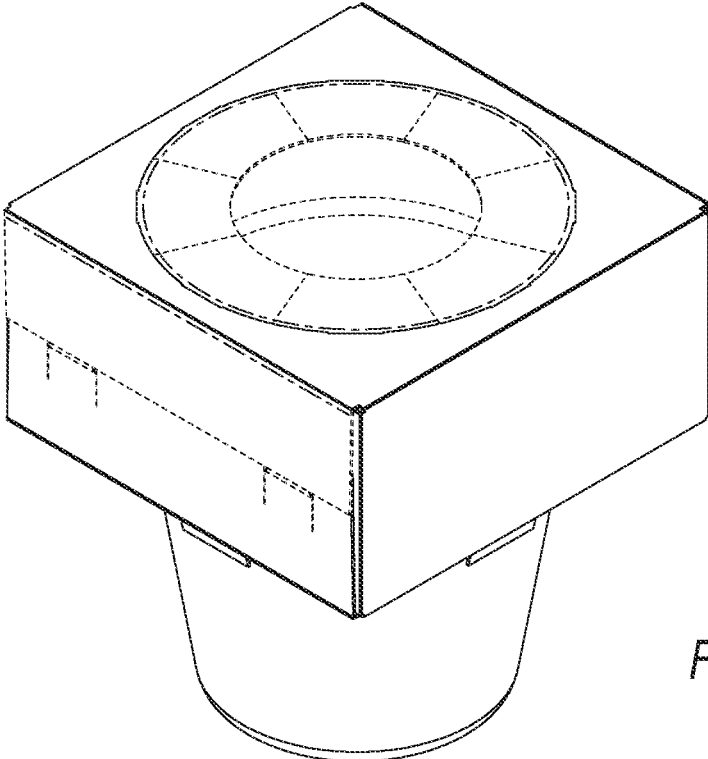


FIG. 2

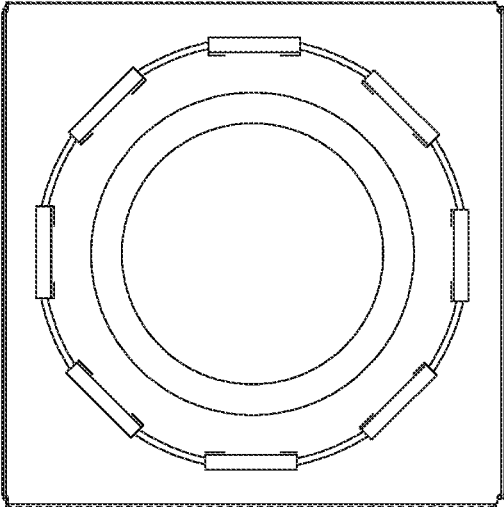


FIG. 3

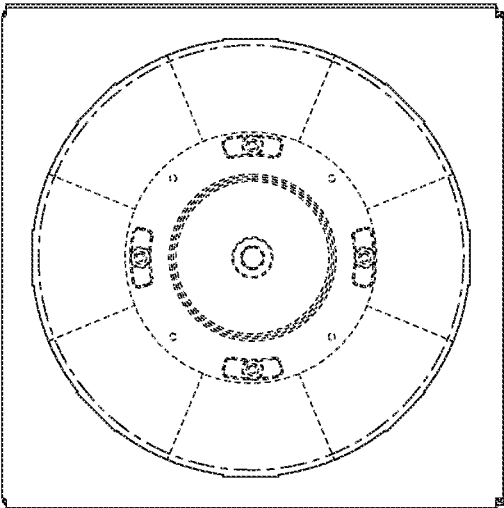


FIG. 4

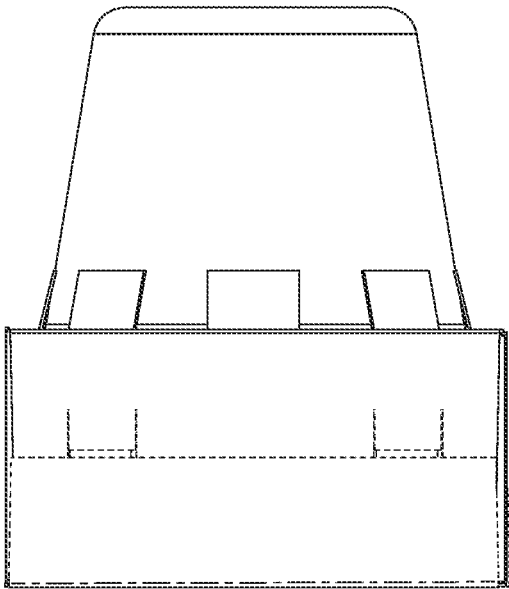


FIG. 5

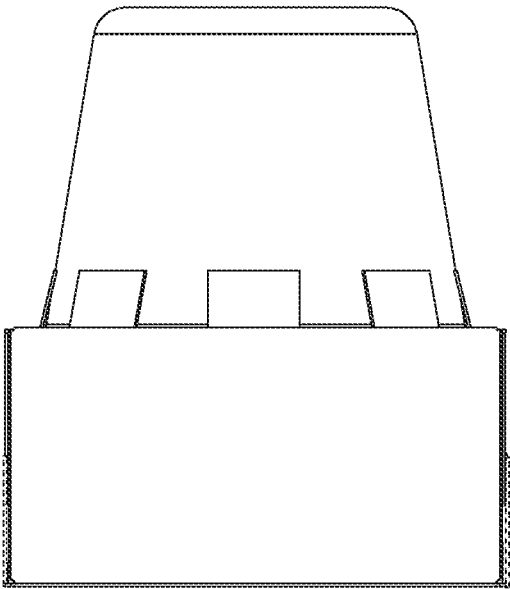


FIG. 6

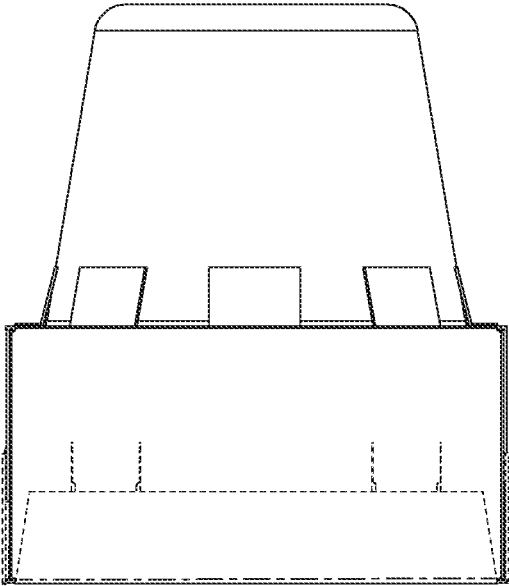


FIG. 7