



US00D937242S

(12) **United States Design Patent**
Levine et al.

(10) **Patent No.:** **US D937,242 S**

(45) **Date of Patent:** **** Nov. 30, 2021**

- (54) **HEADSET**
- (71) Applicant: **New Audio LLC**, New York, NY (US)
- (72) Inventors: **Jonathan E. Levine**, New York, NY (US); **Thomas C. Wilson**, Brooklyn, NY (US); **Marten Wallby**, Malmo (SE)
- (73) Assignee: **New Audio, LLC**, New York, NY (US)
- (**) Term: **15 Years**
- (21) Appl. No.: **29/781,979**
- (22) Filed: **May 3, 2021**

D250,761 S *	1/1979	Vong	D10/38
4,439,645 A *	3/1984	Scalzo	H04M 1/19
			381/372
5,035,005 A *	7/1991	Hung	H04R 1/1066
			2/209
D345,163 S *	3/1994	Yamatogi	D14/205
5,438,626 A *	8/1995	Neuman	H04R 5/0335
			381/370
D410,466 S *	6/1999	Mouri	D14/205
D420,356 S *	2/2000	Suzuki	D14/205
6,081,604 A *	6/2000	Hikichi	H04R 1/083
			381/124
D435,249 S *	12/2000	Yasutomi	D14/205
6,263,085 B1 *	7/2001	Wetter	H04R 1/1075
			379/430
6,980,165 B2 *	12/2005	Yuasa	H01Q 1/273
			343/718
D514,087 S *	1/2006	Wilson	D14/206

(Continued)

Related U.S. Application Data

- (62) Division of application No. 29/694,702, filed on Jun. 12, 2019, now Pat. No. Des. 920,956.
- (51) **LOC (13) Cl.** **14-01**
- (52) **U.S. Cl.**
- USPC **D14/205**
- (58) **Field of Classification Search**
- USPC D14/205, 188, 192; D29/112; 2/209;
381/380, 381, 370, 374; 455/90.3, 575.1,
455/569.1
- CPC H04R 1/1066; H04R 1/1016; H04R 5/033;
H04R 5/0335; H04R 1/1008; H04R
25/00; H04R 25/02; H04R 1/1041; H04R
1/1091

See application file for complete search history.

(56) **References Cited**

U.S. PATENT DOCUMENTS

3,454,964 A *	7/1969	Brinkhoffcarlh	A61F 11/14
			2/209
3,797,045 A *	3/1974	Aho	A61F 11/14
			2/209
3,922,725 A *	12/1975	Csiki	A61F 11/14
			2/209

FOREIGN PATENT DOCUMENTS

EM	004136489-0004	*	8/2017
EM	008023345-0002	*	6/2020

(Continued)

Primary Examiner — Paula Allen Greene

(74) *Attorney, Agent, or Firm* — Holzer Patel Drennan

(57)

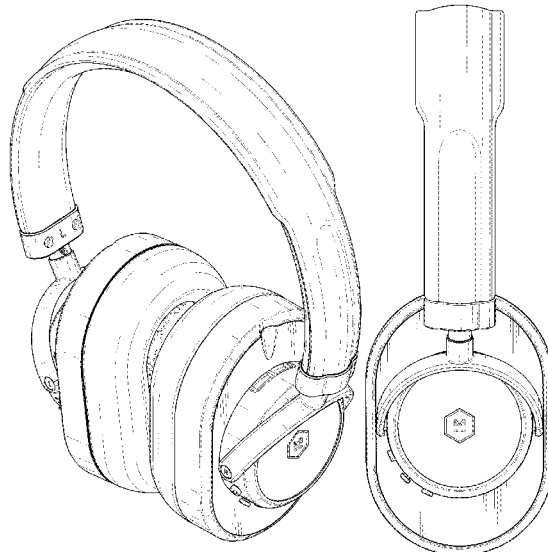
CLAIM

The ornamental design for a headset, as shown and described.

DESCRIPTION

FIG. 1 is a perspective view of a headset showing our new design, as viewed from the top and front.
 FIG. 2 is a front elevational view thereof.
 FIG. 3 is a back elevational view thereof.
 FIG. 4 is a first side elevational view thereof.
 FIG. 5 is a second side elevational view thereof.
 FIG. 6 is a top plan view thereof; and,
 FIG. 7 is a bottom plan view thereof.

1 Claim, 5 Drawing Sheets



(56)

References Cited

U.S. PATENT DOCUMENTS

D567,215 S * 4/2008 Lee D14/205
 7,388,960 B2 * 6/2008 Kuo H04R 1/1041
 379/430
 D642,554 S * 8/2011 Schaal D14/205
 D662,080 S * 6/2012 Carr D14/205
 8,325,962 B2 * 12/2012 Ishida H04R 5/0335
 381/370
 8,737,668 B1 * 5/2014 Blair H04R 1/1066
 381/378
 D727,280 S * 4/2015 Levine D14/205
 D727,281 S * 4/2015 Levine D14/205
 D728,512 S * 5/2015 Nakagawa D14/205
 9,036,849 B2 * 5/2015 Thompson H04R 1/083
 381/375
 D736,174 S * 8/2015 Levine D14/205
 D736,175 S * 8/2015 Levine D14/205
 D746,790 S * 1/2016 Strasberg D14/205
 D762,190 S * 7/2016 Levine D14/205
 D762,191 S * 7/2016 Levine D14/205
 D772,841 S * 11/2016 Levine D14/205
 D776,081 S * 1/2017 Willman D14/205
 D781,265 S * 3/2017 Levine D14/205
 D781,814 S * 3/2017 Levine D14/205
 9,729,954 B2 * 8/2017 Levine H04R 1/105
 D800,691 S * 10/2017 Ando D14/205
 D805,056 S * 12/2017 Levine D14/205
 D811,365 S * 2/2018 Czaniecki D14/205
 D812,588 S * 3/2018 Levine D14/205
 D813,194 S * 3/2018 Loh D14/205
 D832,811 S * 11/2018 Levine D14/205
 D832,813 S * 11/2018 Levine D14/205
 D851,627 S * 6/2019 ter Laag D14/205
 D852,163 S * 6/2019 Nagamine D14/205
 D852,166 S * 6/2019 Levine D14/205
 10,327,057 B2 * 6/2019 Levine H04R 1/1033
 D857,654 S * 8/2019 Levine D14/205
 D859,354 S * 9/2019 Xia D14/205
 D865,706 S * 11/2019 Li D14/205
 D877,714 S * 3/2020 Dhondt D14/205
 D878,327 S * 3/2020 Dhondt D14/205
 D878,329 S * 3/2020 Levine D14/205
 D893,453 S * 8/2020 Levine D14/205
 D900,783 S * 11/2020 Levine D14/205

D905,005 S * 12/2020 Liu D14/205
 D905,658 S * 12/2020 Levine D14/205
 D920,283 S * 5/2021 Levine D14/205
 D920,956 S * 6/2021 Levine D14/206
 D928,117 S * 8/2021 Levine D14/206
 2003/0210801 A1 * 11/2003 Naksen H04R 1/1066
 381/370
 2004/0216946 A1 * 11/2004 Lenhard-Backhaus
 H04R 1/1066
 181/129
 2005/0053255 A1 * 3/2005 Harris H04R 5/0335
 381/379
 2005/0238189 A1 * 10/2005 Tsai H04R 1/1075
 381/309
 2005/0266875 A1 * 12/2005 Yegin H01Q 1/273
 455/552.1
 2008/0056525 A1 * 3/2008 Fujiwara H04R 1/1066
 381/374
 2008/0175406 A1 * 7/2008 Smith H04R 1/1066
 381/87
 2009/0003616 A1 * 1/2009 Kleinschmidt H04R 1/1083
 381/71.6
 2010/0177907 A1 * 7/2010 Morisawa H04R 5/0335
 381/74
 2012/0093334 A1 * 4/2012 Schreuder H04R 1/1033
 381/74
 2014/0105414 A1 * 4/2014 Rois H03G 11/04
 381/74
 2016/0079660 A1 * 3/2016 Bevelacqua H01Q 1/44
 343/702
 2016/0205461 A1 * 7/2016 Fernandez-Medina
 H01Q 1/273
 381/74
 2017/0041697 A1 * 2/2017 Levine H04R 1/1033
 2017/0295420 A1 * 10/2017 Yeung H04R 5/033
 2018/0020277 A1 * 1/2018 Briggs H01Q 9/065
 2019/0156814 A1 * 5/2019 Eguchi G10K 11/17823

FOREIGN PATENT DOCUMENTS

GB 9008028526-0002 * 7/2020
 JP 2013078014 A 4/2013
 JP 2015026948 2/2015

* cited by examiner



FIG. 1

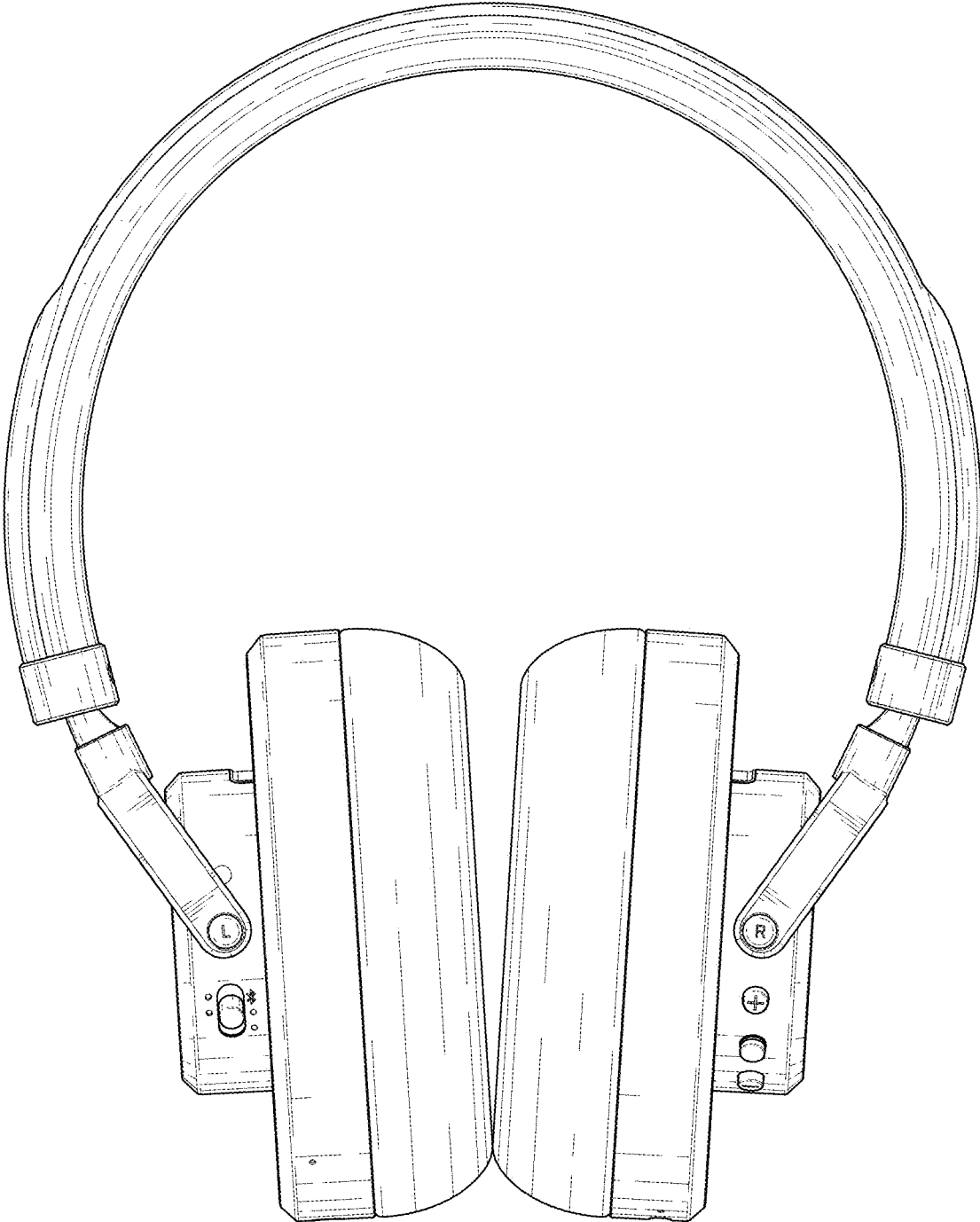


FIG. 2

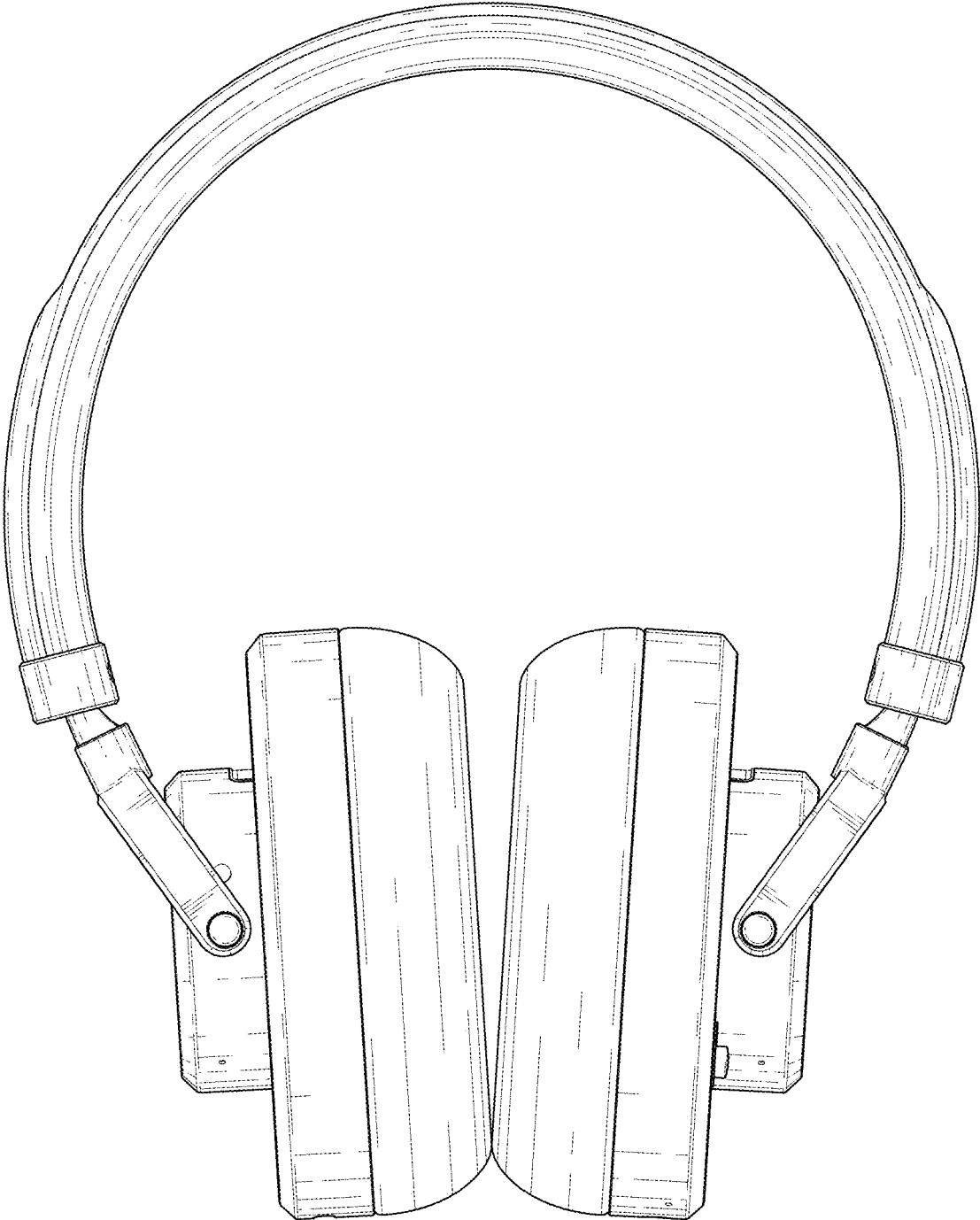


FIG. 3

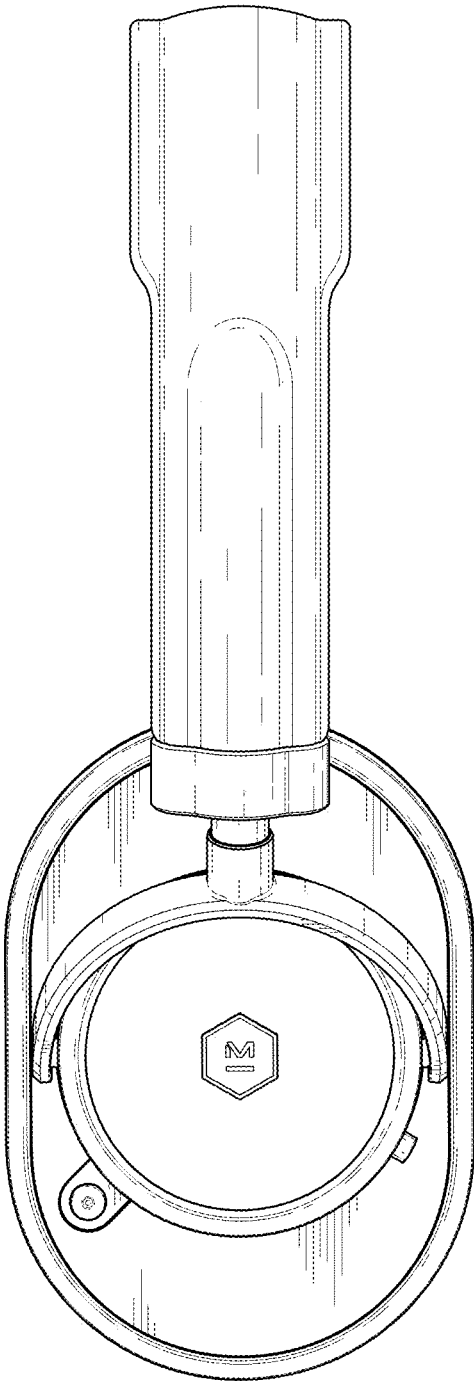


FIG. 4

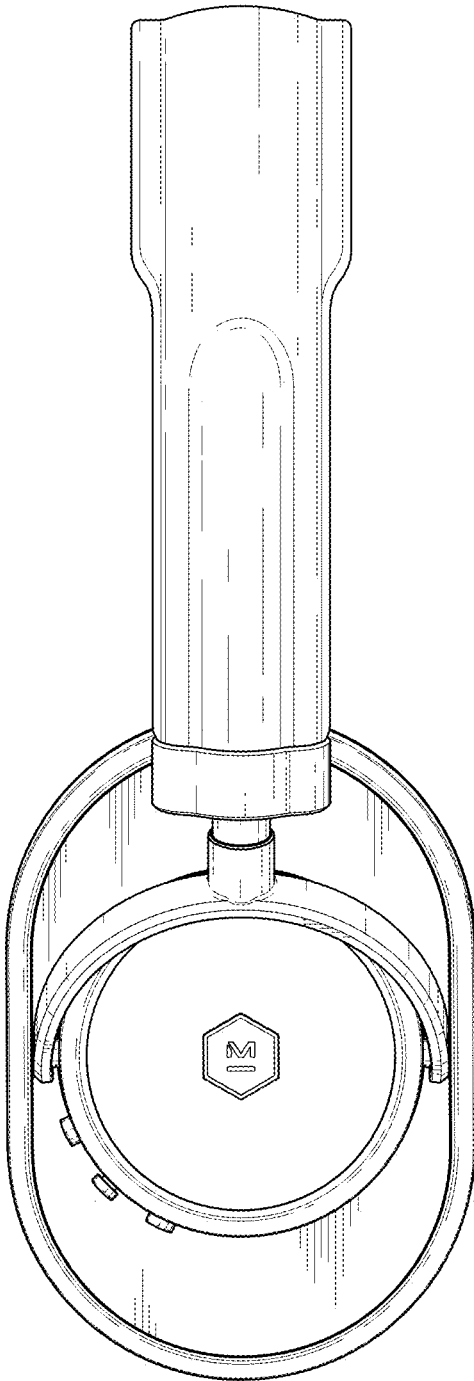


FIG. 5

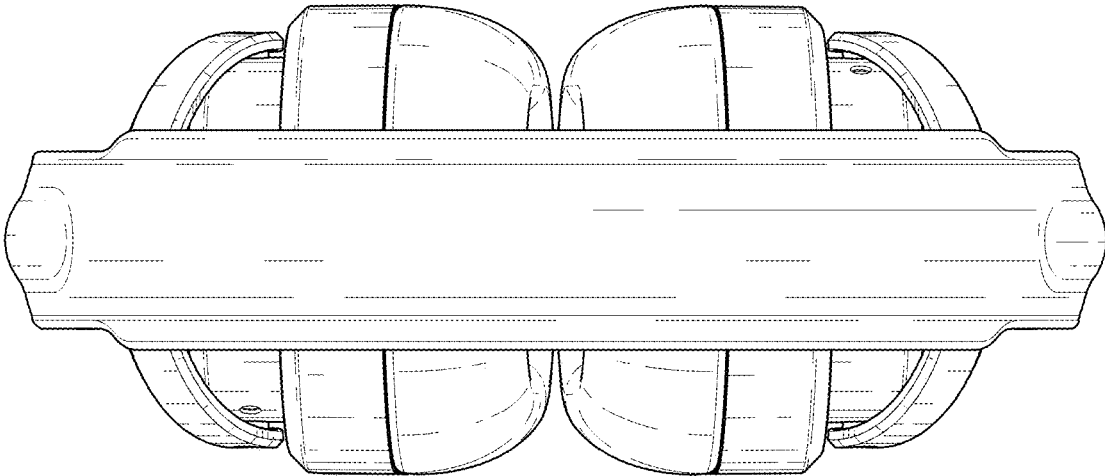


FIG. 6

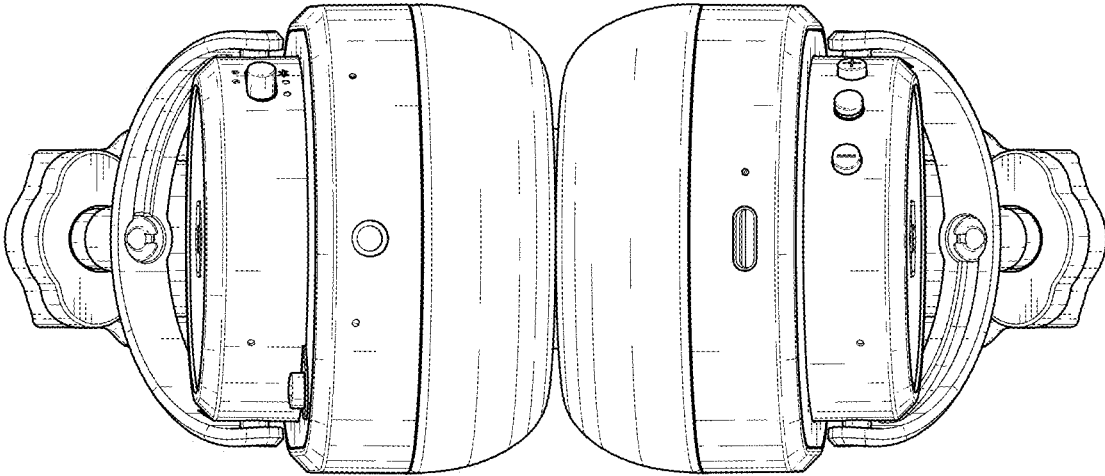


FIG. 7