



US00D922641S

(12) **United States Design Patent**
Hu

(10) **Patent No.:** **US D922,641 S**

(45) **Date of Patent:** **** Jun. 15, 2021**

(54) **FLASHLIGHT**

(71) Applicant: **Xianwen Hu**, Shenzhen (CN)

(72) Inventor: **Xianwen Hu**, Shenzhen (CN)

(**) Term: **15 Years**

(21) Appl. No.: **29/763,921**

(22) Filed: **Dec. 26, 2020**

(51) **LOC (13) Cl.** **26-02**

(52) **U.S. Cl.**
USPC **D26/49**

(58) **Field of Classification Search**
USPC D26/37-51
CPC F21L 4/00; F21L 4/02; F21L 4/04; F21L 4/08; F21L 4/025; F21L 4/027; F21L 7/00; F21L 11/00; F21L 13/00; F21L 13/04; F21L 13/08; F21L 14/02; F21L 17/00; F21L 19/00; F21L 25/00
See application file for complete search history.

(56) **References Cited**

U.S. PATENT DOCUMENTS

D504,530 S * 4/2005 Shiu D26/37
D564,116 S * 3/2008 Linardos D26/49

D565,769 S * 4/2008 Shiu D26/49
D596,328 S * 7/2009 Shiu D26/49
D683,877 S * 6/2013 Brands D26/49
D783,193 S * 4/2017 Kao D26/49
D899,648 S 10/2020 Qiu
D899,649 S 10/2020 Qiu

* cited by examiner

Primary Examiner — Marcus A Jackson

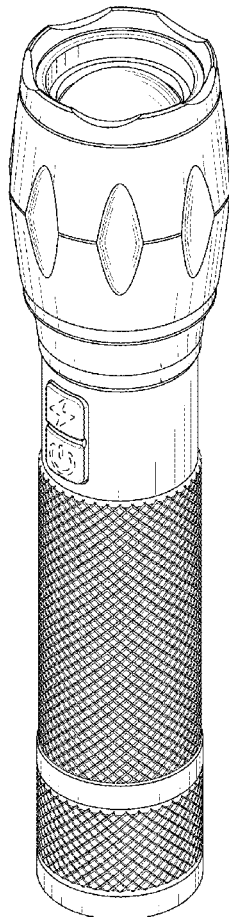
(57) **CLAIM**

The ornamental design for a flashlight, as shown and described.

DESCRIPTION

FIG. 1 is a perspective view of a flashlight showing my new design;
FIG. 2 is another perspective view thereof;
FIG. 3 is a front view thereof;
FIG. 4 is a left view thereof;
FIG. 5 is a right side view thereof;
FIG. 6 is a rear side view thereof;
FIG. 7 is a top plan view thereof; and,
FIG. 8 is a bottom plan view thereof.
The broken lines in the figures illustrate portions of the flashlight that form no part of the claimed design.

1 Claim, 7 Drawing Sheets



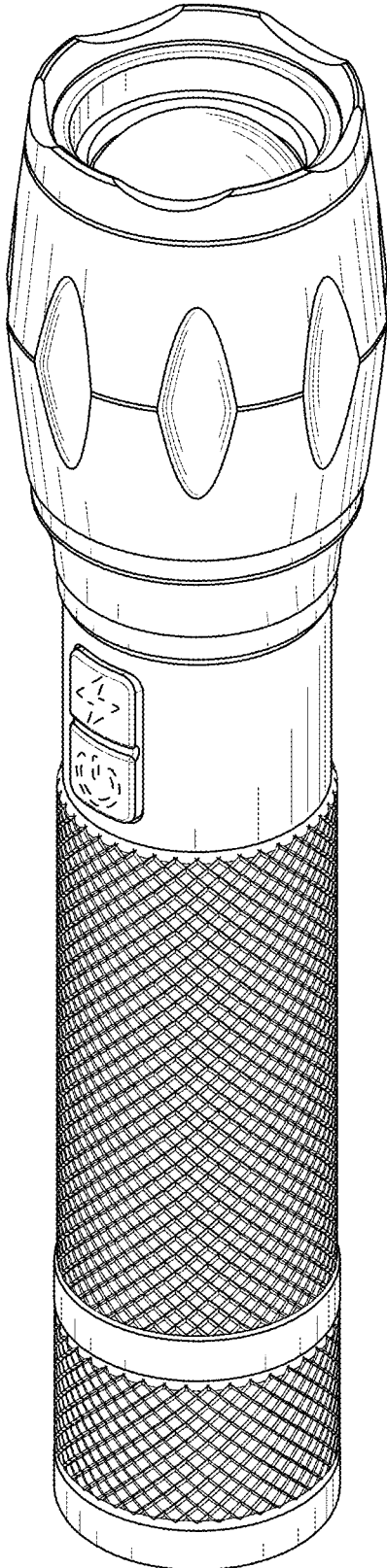


FIG. 1

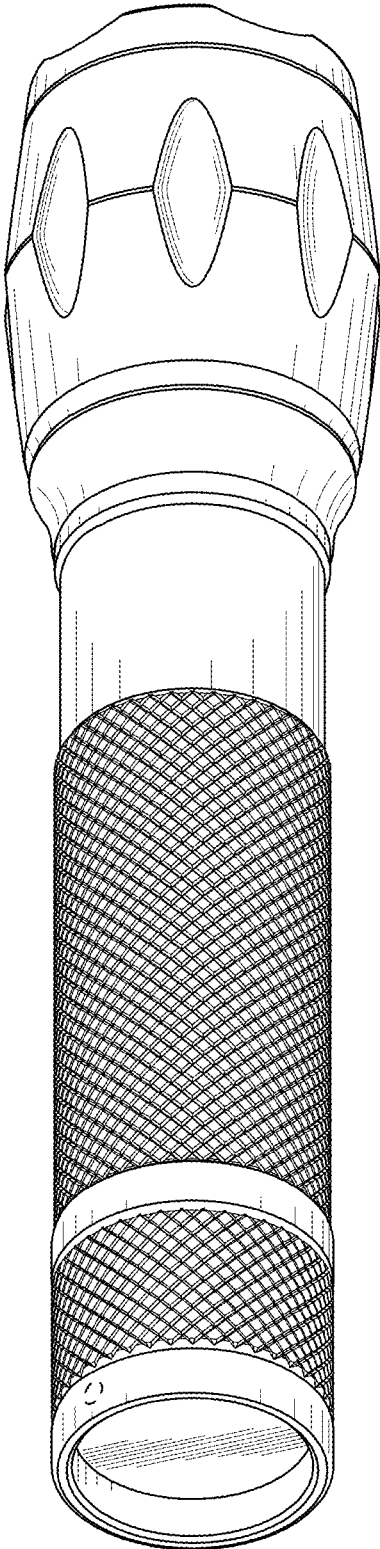


FIG. 2

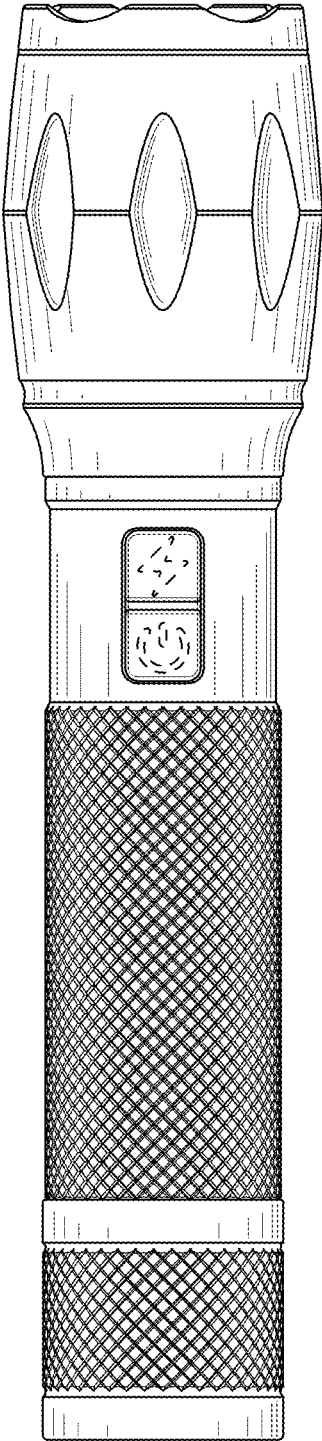


FIG. 3

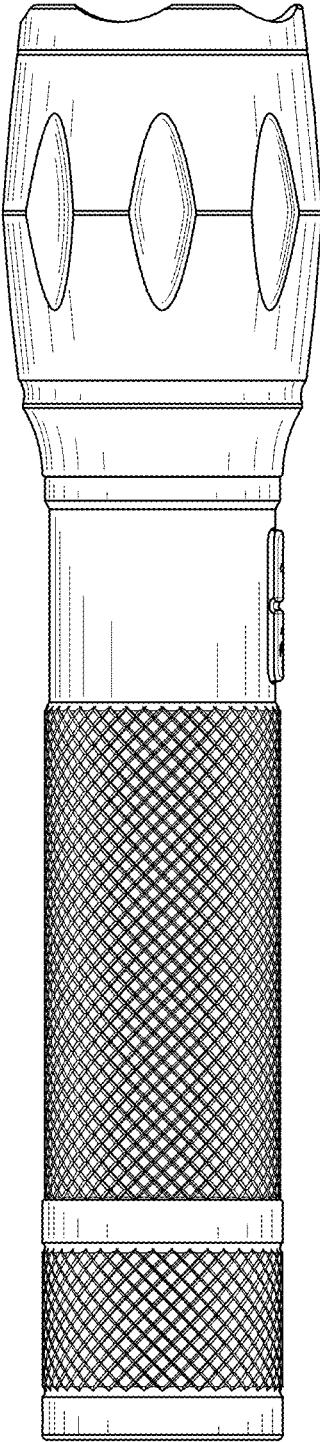


FIG. 4

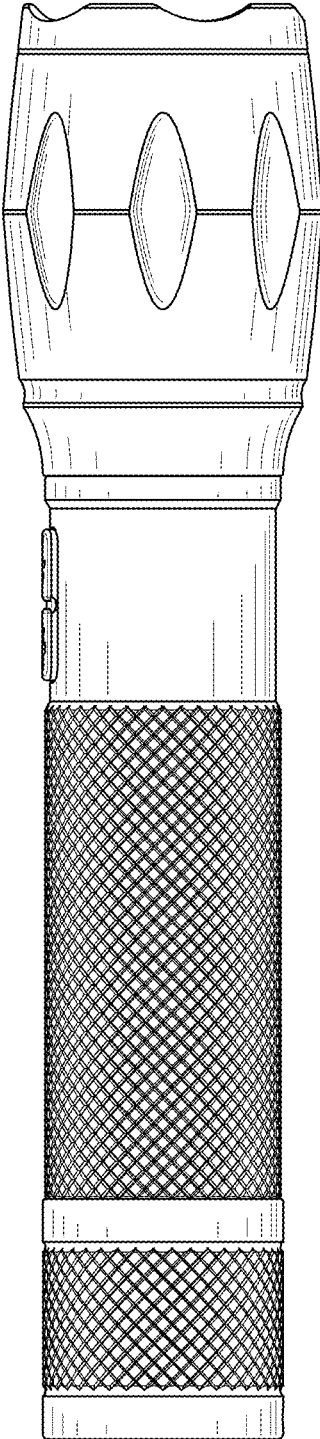


FIG. 5

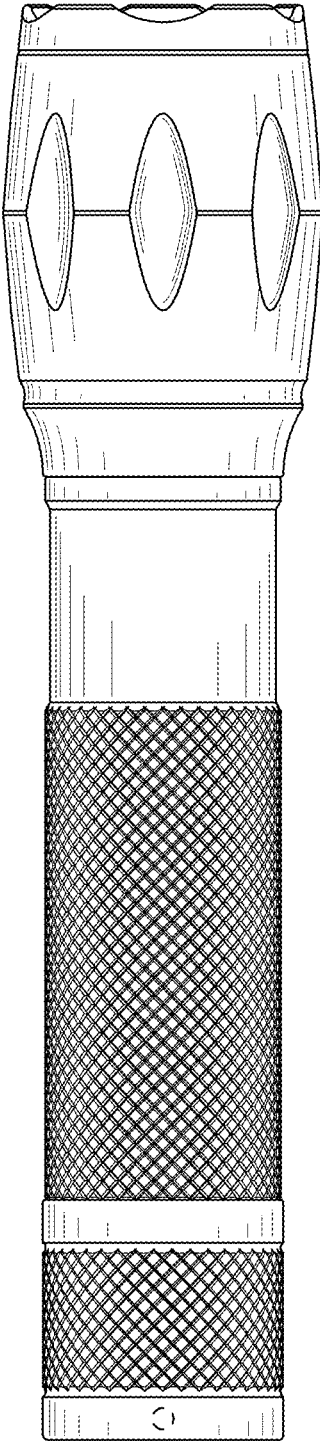


FIG. 6

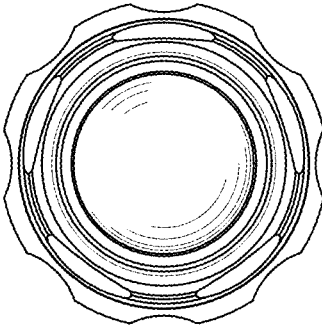


FIG. 7

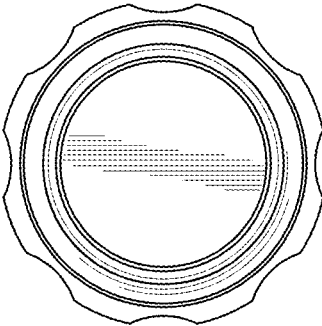


FIG. 8