



US00D590121S

(12) **United States Design Patent**
Shen

(10) **Patent No.:** **US D590,121 S**

(45) **Date of Patent:** **** Apr. 7, 2009**

(54) **LOW PROFILE JACK**

(76) Inventor: **Min Shen**, c/o Changshu Tongrun, New Long Teng Industry Area, Changshu Economy Development Zone, Changshu, Jiangsu Province (CN)

(**) Term: **14 Years**

(21) Appl. No.: **29/284,304**

(22) Filed: **Sep. 5, 2007**

(30) **Foreign Application Priority Data**

Mar. 7, 2007 (CN) 2007 3 0028243

(51) **LOC (9) Cl.** **12-05**

(52) **U.S. Cl.** **D34/31**

(58) **Field of Classification Search** D34/28, D34/31, 33; 254/8 B, 84, 11, 93 H, 2 B, 254/88, DIG. 3, 45, 94

See application file for complete search history.

(56) **References Cited**

U.S. PATENT DOCUMENTS

5,201,494 A * 4/1993 Lundman 254/8 B
D358,923 S * 5/1995 Hawkins D34/31

D388,926 S * 1/1998 Sorensen D34/31
D421,516 S * 3/2000 Hung D34/31
D453,983 S * 2/2002 Lin D34/31
D548,922 S * 8/2007 Hernandez D34/31

* cited by examiner

Primary Examiner—Cynthia E Ramirez

(74) *Attorney, Agent, or Firm*—Ladas & Parry LLP

(57) **CLAIM**

The ornamental design for the low profile jack, as shown and described.

DESCRIPTION

FIG. 1 is a perspective view of a low profile jack in accordance with an embodiment;

FIG. 2 is a top plan view thereof;

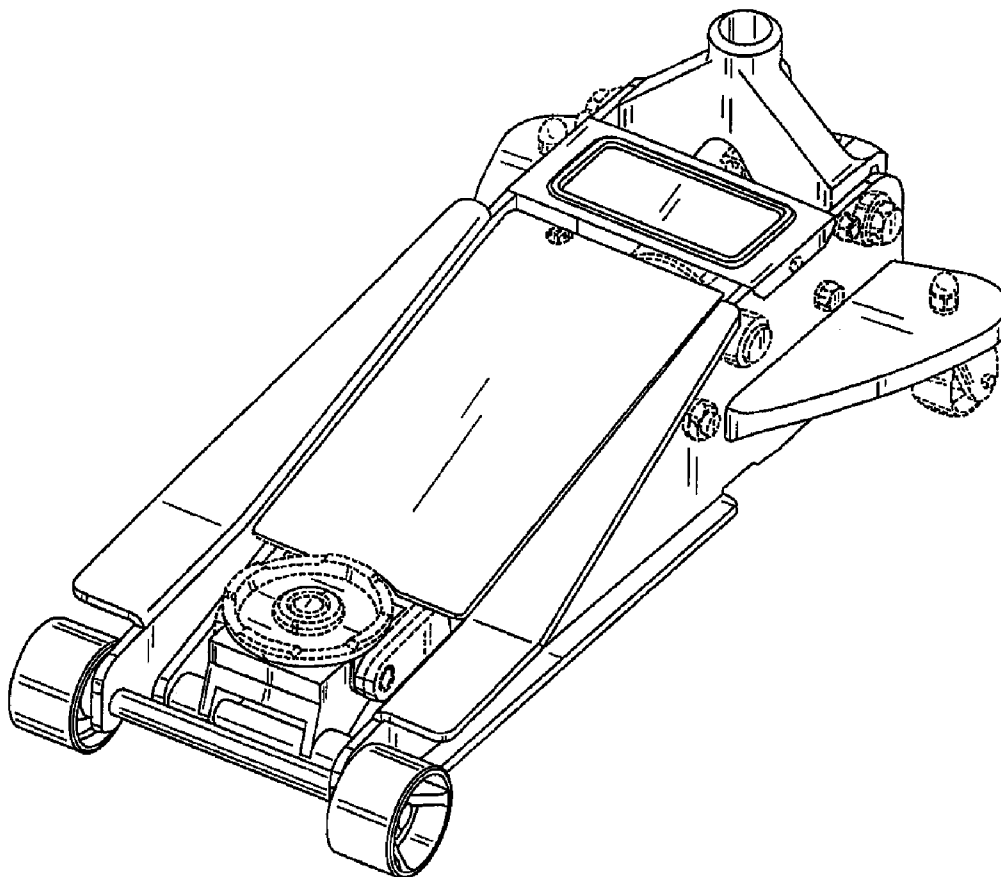
FIG. 3 is a left side view thereof;

FIG. 4 is a right side view thereof;

FIG. 5 is a front view thereof; and,

FIG. 6 is a rear view thereof.

1 Claim, 3 Drawing Sheets



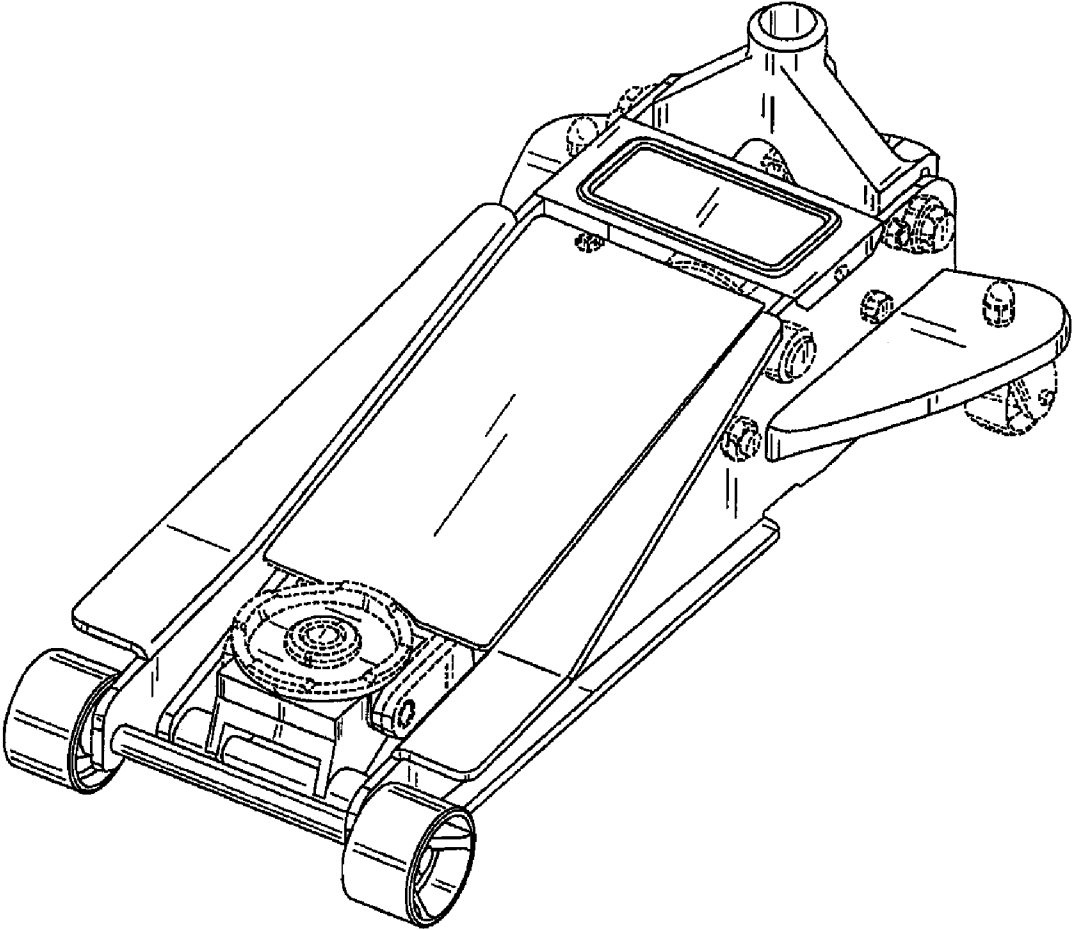


FIG. 1

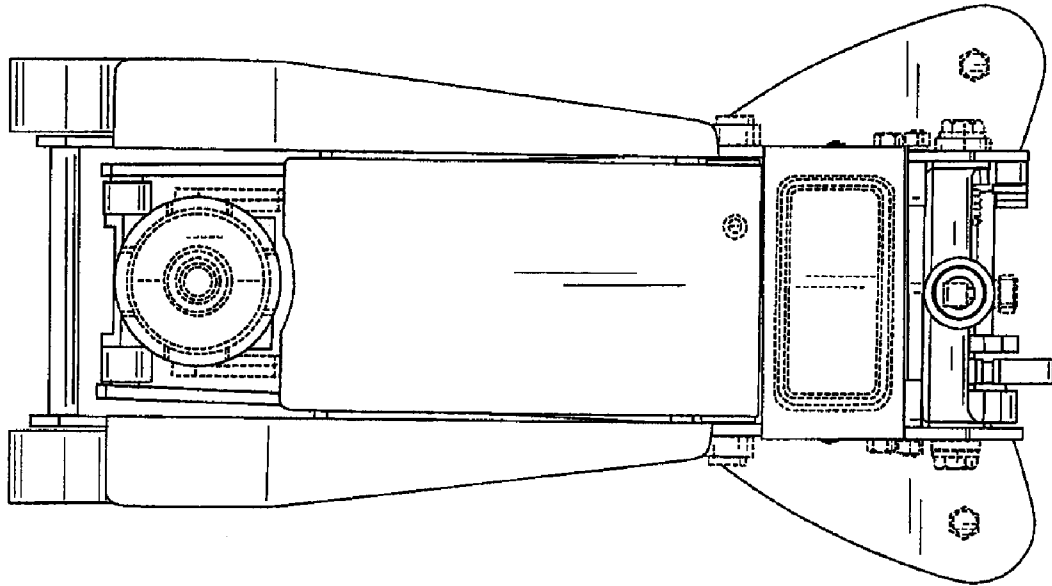


FIG. 2

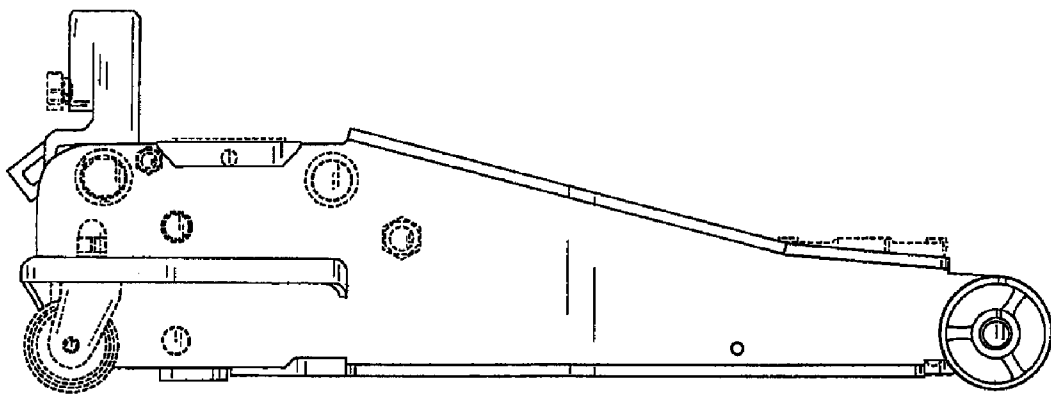


FIG. 3

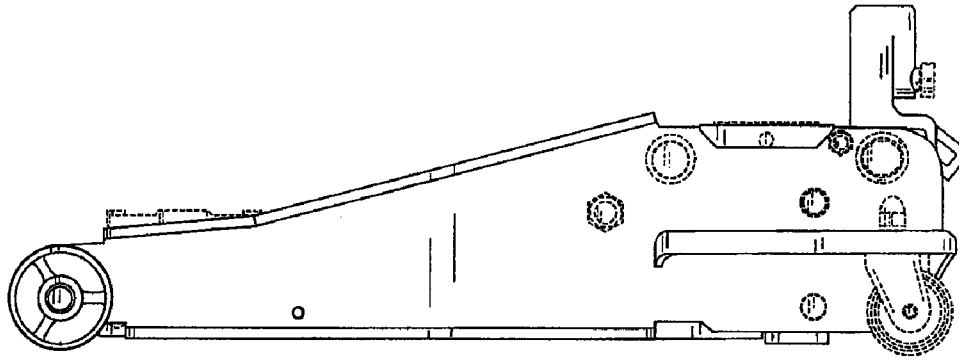


FIG. 4

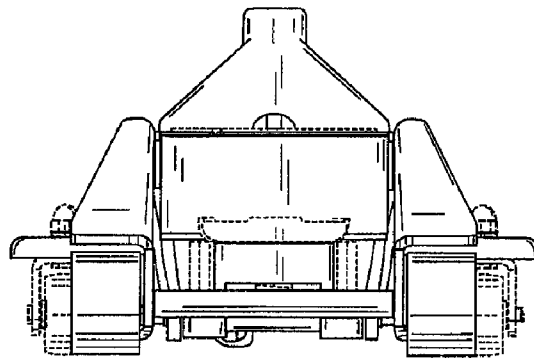


FIG. 5

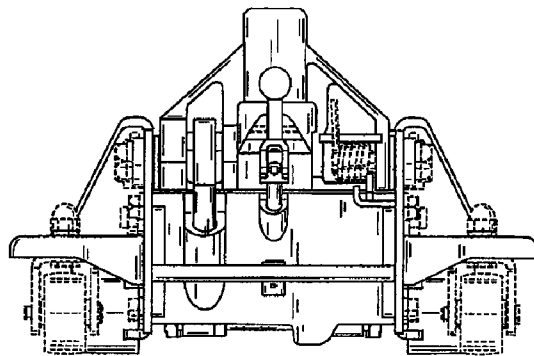


FIG. 6