



US00D776191S

(12) **United States Design Patent**  
**Shao**

(10) **Patent No.:** **US D776,191 S**

(45) **Date of Patent:** **\*\* Jan. 10, 2017**

(54) **CAPO**

(71) Applicant: **Fengmao Shao**, Guangzhou (CN)

(72) Inventor: **Fengmao Shao**, Guangzhou (CN)

(\*\*) Term: **15 Years**

(21) Appl. No.: **29/543,327**

(22) Filed: **Oct. 23, 2015**

(51) **LOC (10) Cl.** ..... **17-03**

(52) **U.S. Cl.**  
USPC ..... **D17/20**

(58) **Field of Classification Search**  
USPC ..... D17/20, 21, 99; 84/314, 315, 317, 318;  
D7/680  
CPC ..... G10D 3/04; G10D 3/043  
See application file for complete search history.

(56) **References Cited**

**U.S. PATENT DOCUMENTS**

4,104,947	A *	8/1978	Oster	.....	G10D 3/043 84/318
4,250,790	A *	2/1981	Shubb	.....	G10D 3/043 84/318
5,792,969	A *	8/1998	Shubb	.....	G10D 3/043 84/318
D521,048	S *	5/2006	Steinberger	.....	D17/20
D673,209	S *	12/2012	Reboul	.....	D17/20
D728,672	S *	5/2015	Campling	.....	D17/20
2011/0036229	A1*	2/2011	Chen	.....	G10D 3/043 84/318
2014/0013924	A1*	1/2014	Campling	.....	G10D 3/043 84/318
2015/0107436	A1*	4/2015	Dunlop	.....	G10D 3/043 84/318

(Continued)

**OTHER PUBLICATIONS**

Newport, posted at g7th.com, earliest date available May 13, 2015, [online], acquired on Jul. 1, 2016. Available from Internet, <URL: <http://www.g7th.com/shop.aspx>>.\*

(Continued)

*Primary Examiner* — Cathron Brooks

*Assistant Examiner* — Aula Soroush

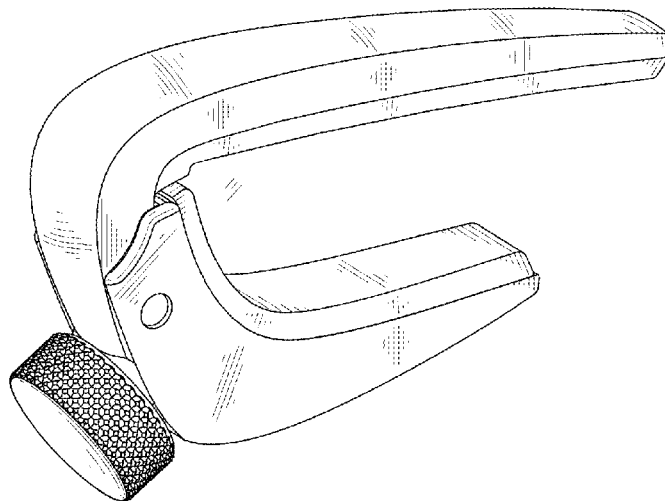
(57) **CLAIM**

The ornamental design for a capo, as shown.

**DESCRIPTION**

FIG. 1 is a perspective view of the capo in a retracted setting showing my new design;  
 FIG. 2 is a front elevational view of the capo in a retracted setting;  
 FIG. 3 is a rear elevational view of the capo in a retracted setting;  
 FIG. 4 is a left side elevational view of the capo in a retracted setting;  
 FIG. 5 is a right side elevational view of the capo in a retracted setting;  
 FIG. 6 is a top plan view of the capo in a retracted setting;  
 FIG. 7 is a bottom plan view of the capo in a retracted setting;  
 FIG. 8 is a perspective view of the capo in an expanded setting;  
 FIG. 9 is a front elevational view of the capo in an expanded setting;  
 FIG. 10 is a rear elevational view of the capo in an expanded setting;  
 FIG. 11 is a left side elevational view of the capo in an expanded setting;  
 FIG. 12 is a right side elevational view of the capo in an expanded setting;  
 FIG. 13 is a top plan view of the capo in an expanded setting; and,  
 FIG. 14 is a bottom plan view of the capo in an expanded setting.

**1 Claim, 14 Drawing Sheets**



(56)

**References Cited**

U.S. PATENT DOCUMENTS

2015/0128784 A1\* 5/2015 Bradley ..... G10D 3/043  
84/318

OTHER PUBLICATIONS

D'Addario Planet Waves NS Aluminum Screw Type Capo, posted at [guitarcenter.com](http://guitarcenter.com), earliest date available Aug. 2, 2007, [online], acquired on Jul. 1, 2016. Available from Internet, <URL: [www.guitarcenter.com/DAddario-Planet-Waves/NS-Aluminum-Screw-Type-Capo-1274034478858.gc](http://www.guitarcenter.com/DAddario-Planet-Waves/NS-Aluminum-Screw-Type-Capo-1274034478858.gc)>.\*

D'Addario Banjo Capo Pro, posted at [deeringbanjos.com](http://deeringbanjos.com), earliest date available Sep. 5, 2015, [online], acquired on Jul. 1, 2016. Available from Internet, <URL: <http://www.deeringbanjos.com/collections/capos/products/daddario-banjo-capo-pro>>.\*

\* cited by examiner

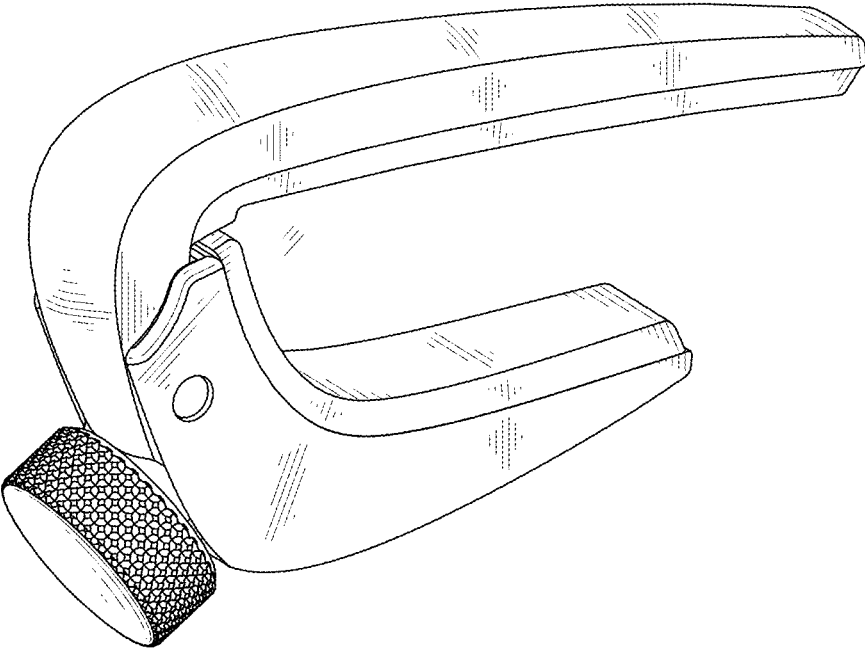


FIG. 1

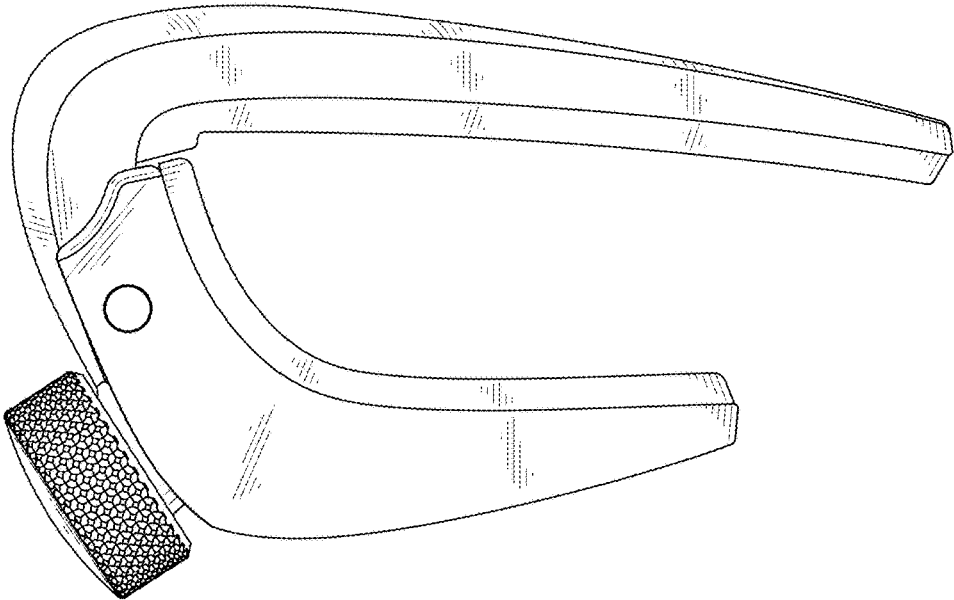


FIG. 2

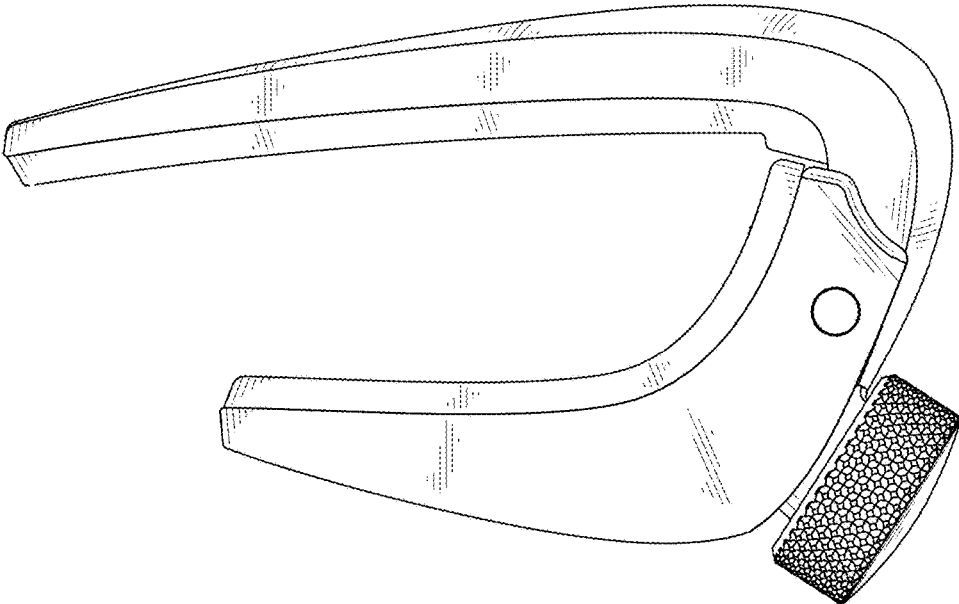


FIG. 3

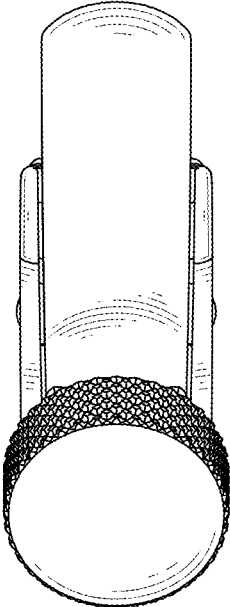


FIG. 4

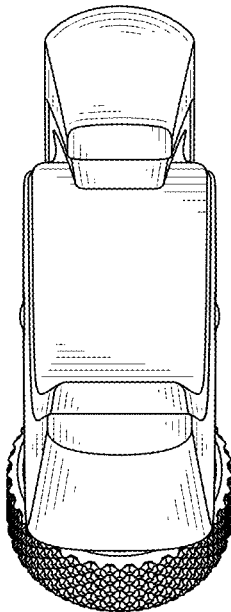


FIG. 5

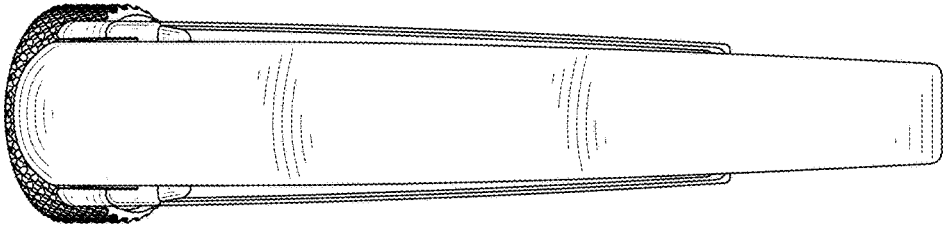


FIG. 6



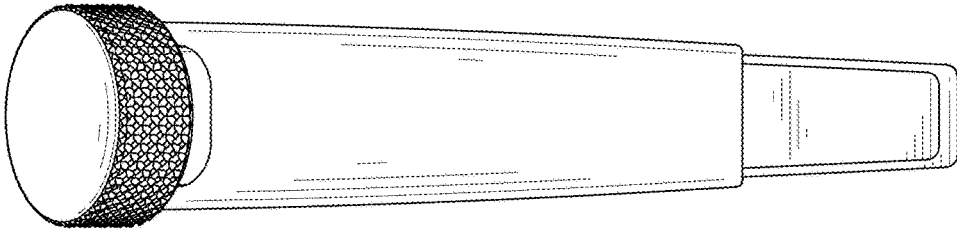


FIG. 7

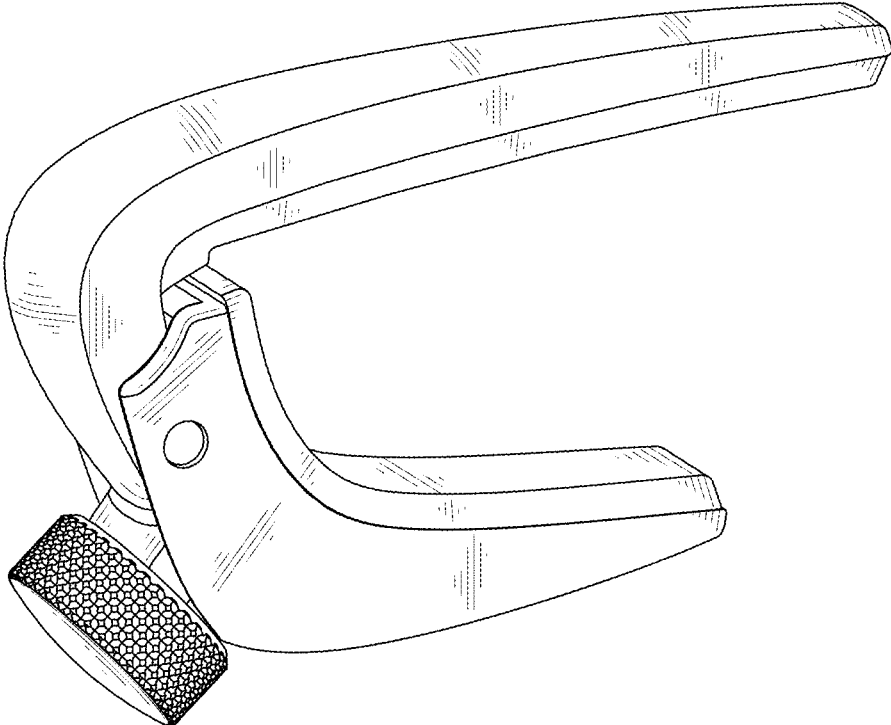


FIG. 8

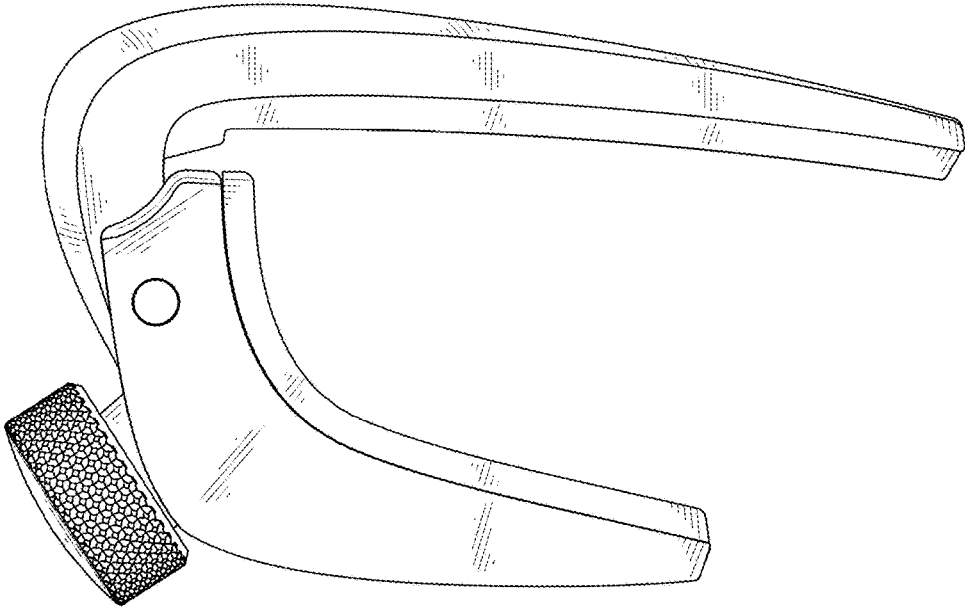


FIG. 9

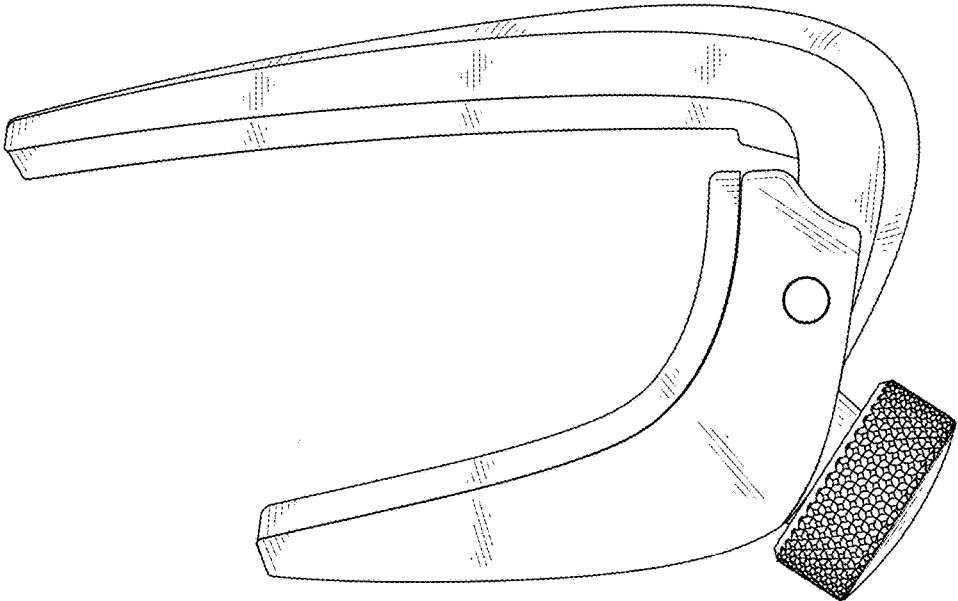


FIG. 10

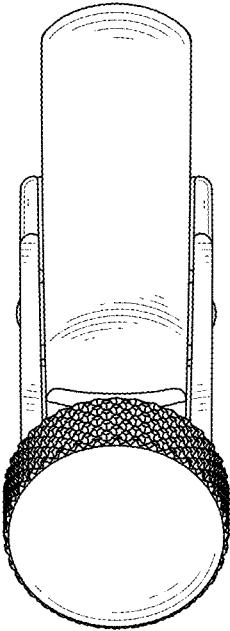


FIG. 11

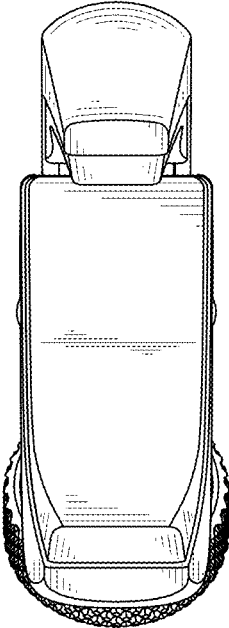


FIG. 12

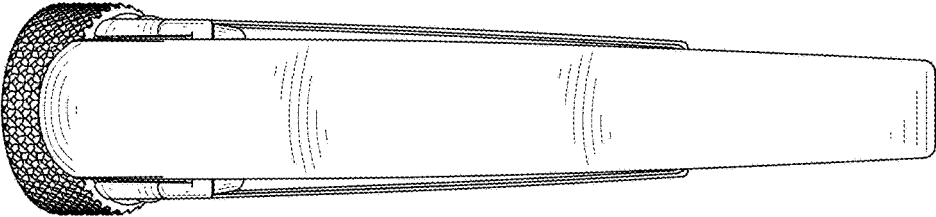


FIG. 13

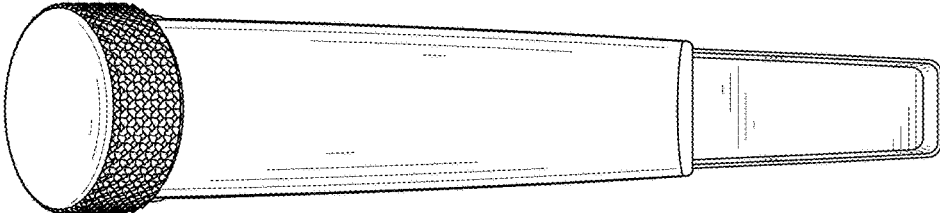


FIG. 14