



US00D927103S

(12) **United States Design Patent**
Zou

(10) **Patent No.:** **US D927,103 S**

(45) **Date of Patent:** **** Aug. 3, 2021**

(54) **CORDLESS HAND-HELD VACUUM CLEANER**

D826,493 S *	8/2018	Nam	D32/18
D830,017 S *	10/2018	Nam	D32/22
D839,510 S *	1/2019	Nam	D32/18
D844,912 S *	4/2019	Gammack	D32/18
D846,212 S *	4/2019	Gammack	D32/22

(Continued)

(71) Applicant: **Suzhou CHO Electric Appliance Co., Ltd.**, Jiangsu (CN)

(72) Inventor: **Zongbin Zou**, Sichuan (CN)

(73) Assignee: **Suzhou CHO Electric Appliance Co., Ltd.**, Suzhou (CN)

(**) Term: **15 Years**

(21) Appl. No.: **29/703,470**

(22) Filed: **Aug. 27, 2019**

(30) **Foreign Application Priority Data**

Aug. 7, 2019 (CN) 201930426330.0

(51) **LOC (13) Cl.** **15-05**

(52) **U.S. Cl.**
USPC **D32/18**

(58) **Field of Classification Search**

USPC D32/17, 18, 22, 31; D21/526
CPC A47L 5/24; A47L 5/28; A47L 5/30; A47L 5/34; A47L 5/36; A47L 9/04; A47L 9/102; A47L 9/106; A47L 11/30; A47L 11/302; A47L 11/4005; A47L 11/4008; A47L 11/4044; B04C 5/185; B23Q 11/0046; B23Q 11/0071; E04H 4/1636

See application file for complete search history.

(56) **References Cited**

U.S. PATENT DOCUMENTS

D668,010 S *	9/2012	Stickney	D32/18
D730,599 S *	5/2015	Uim	D32/18
D739,102 S *	9/2015	Dyson	D32/21
D800,980 S *	10/2017	Carter	D32/21
D818,223 S *	5/2018	Nam	D32/18
D821,044 S *	6/2018	Cao	D32/18
D821,667 S *	6/2018	Nam	D32/18

FOREIGN PATENT DOCUMENTS

CN	30514605	*	1/2019
EM	006109617-0001	*	2/2019

(Continued)

OTHER PUBLICATIONS

Jashen V12 Cordless Stick Vacuum Cleaner (Review), announced in YouTube on Apr. 17, 2019 [online], [site visited Apr. 2, 2021], Available from the internet URL: <https://www.youtube.com/watch?v=fg-Nf3Pr3fg> (Year: 2019).*

(Continued)

Primary Examiner — Dana K Weiland
Assistant Examiner — Jennylou M Binas

(57) **CLAIM**

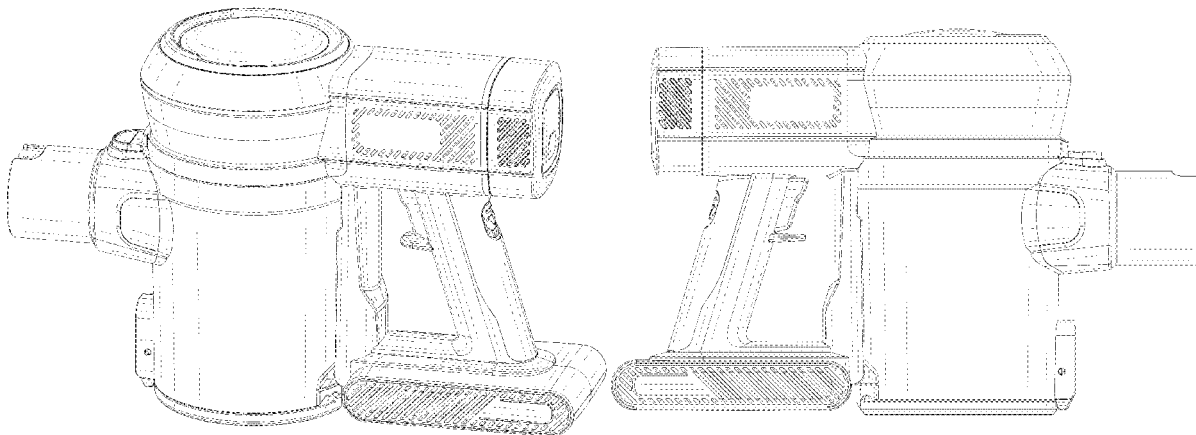
The ornamental design for a cordless hand-held vacuum cleaner, as shown and described.

DESCRIPTION

FIG. 1 is a perspective view of a cordless hand-held vacuum cleaner showing my new design;
FIG. 2 is a front elevation view thereof;
FIG. 3 is a back elevation view thereof;
FIG. 4 is a left side view thereof;
FIG. 5 is a right side view thereof;
FIG. 6 is a top plan view thereof; and,
FIG. 7 is a bottom plan view thereof.

The broken lines in the figures illustrate the portions of the cordless hand-held vacuum cleaner that form no part of the claimed design.

1 Claim, 7 Drawing Sheets



(56)

References Cited

OTHER PUBLICATIONS

U.S. PATENT DOCUMENTS

D854,266	S	*	7/2019	Gammack	D32/18
D868,400	S	*	11/2019	Niedzwecki	D32/18
D871,695	S	*	12/2019	Niedzwecki	D32/22
D872,394	S	*	1/2020	Yang	D32/18
D872,952	S	*	1/2020	Yang	D32/18
D874,758	S	*	2/2020	Schroeter	D32/18
D874,759	S	*	2/2020	Tang	D32/18
D879,395	S	*	3/2020	Pearce	D32/18
D897,616	S	*	9/2020	Chen	D32/22
D902,510	S	*	11/2020	Knight Adams	D32/22
D905,360	S	*	12/2020	Ma	D32/22
D905,919	S	*	12/2020	Niedzwecki	D32/34
D908,990	S	*	1/2021	Chen	D32/22
D912,344	S	*	3/2021	Choi	D32/22

FOREIGN PATENT DOCUMENTS

EM	006597027-0001	*	7/2019
JP	D1655534	*	3/2020
KR	301025386.0000	*	10/2019
KR	301062021.0000	*	6/2020

Dyson V11 Torque Drive vs Tineco Pure One S12, announced in YouTube on Jun. 14, 2019 [online], [site visited Apr. 2, 2021], Available from the internet URL: <https://www.youtube.com/watch?v=r99cgnjghFw> (Year: 2019).*

Mizili Cordless Vacuum Cleaner, available in Amazon.com, date first available Jun. 1, 2020 [online], [site visited Apr. 2, 2021], Available from the internet URL: https://www.amazon.co.uk/Muzili-Cordless-Efficient-Filtration-Lightweight/dp/B089K7P8LH/ref=pd_di_sccai_6?pd_rd_w=3Tp5H&pf_rd_p=f45e6bfc-40b0-4749-aceb-1ea1cd205758&pf_rd_r=DP9A6Y702QX2MJKMY537&pd_rd_r=7da9073-682d-416b-8a49-67e87825772d&pd_rd_wg=omN (Year: 2020).*

HONITURE Cordless Vacuum Cleaner, available in Amazon.ca, date first available Jul. 16, 2020 [online], [site visited Apr. 2, 2021], Available from the internet URL: https://www.amazon.ca/dp/B08D3L8DMJ/ref=cm_sw_em_r_mt_imm_awdb_CMAESSBEP81PSVEH5844 (Year: 2020).*

* cited by examiner

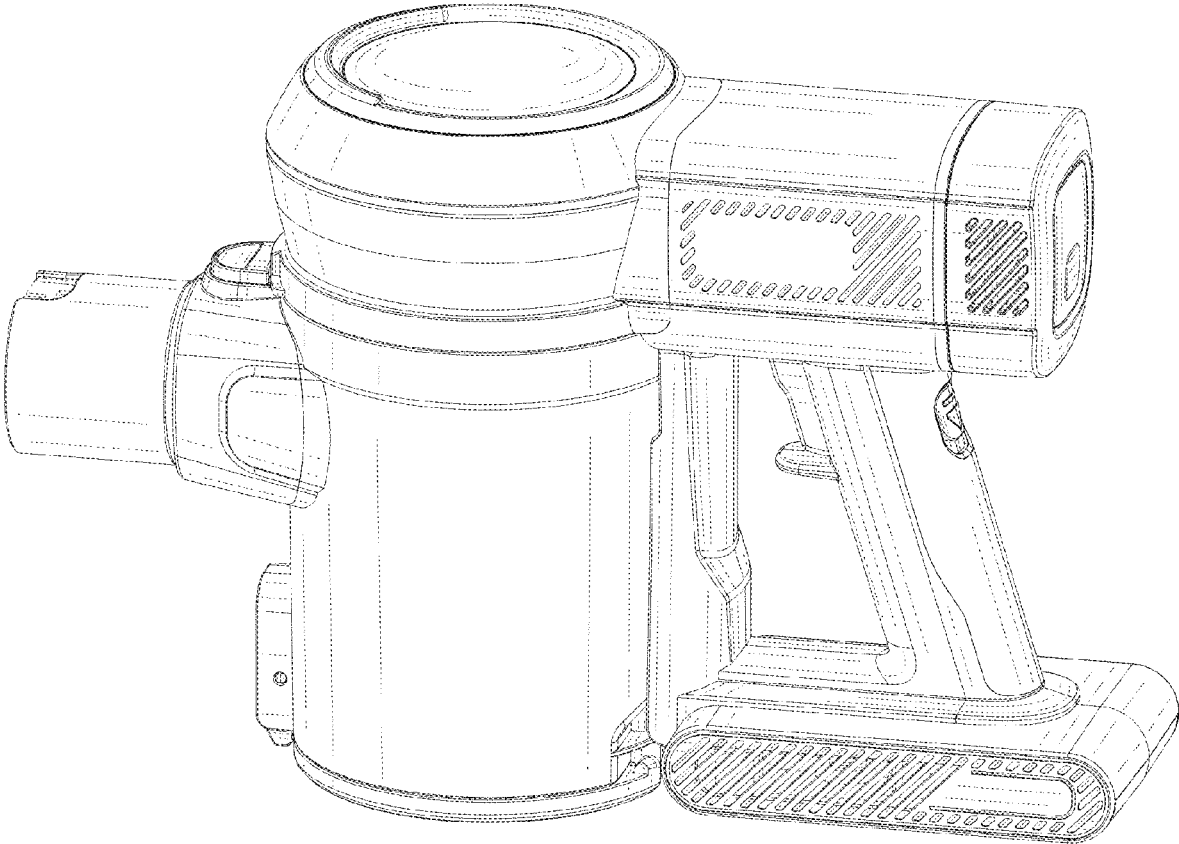


FIG. 1

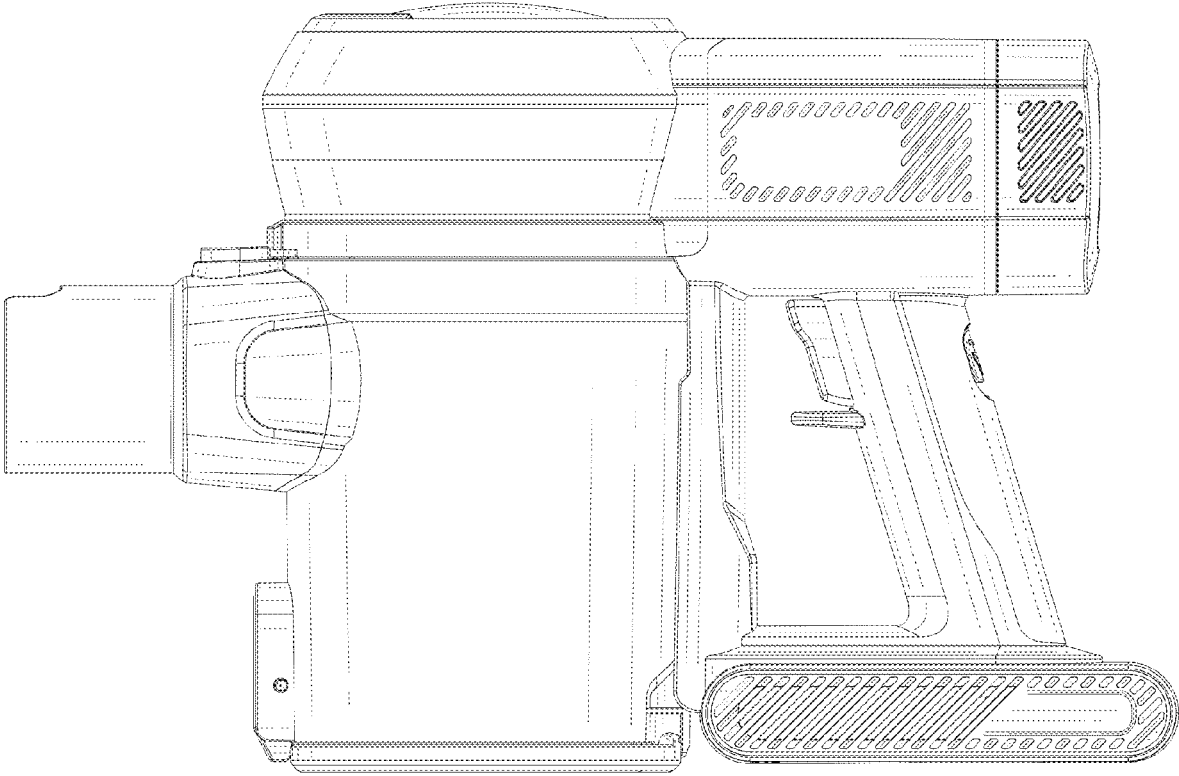


FIG. 2

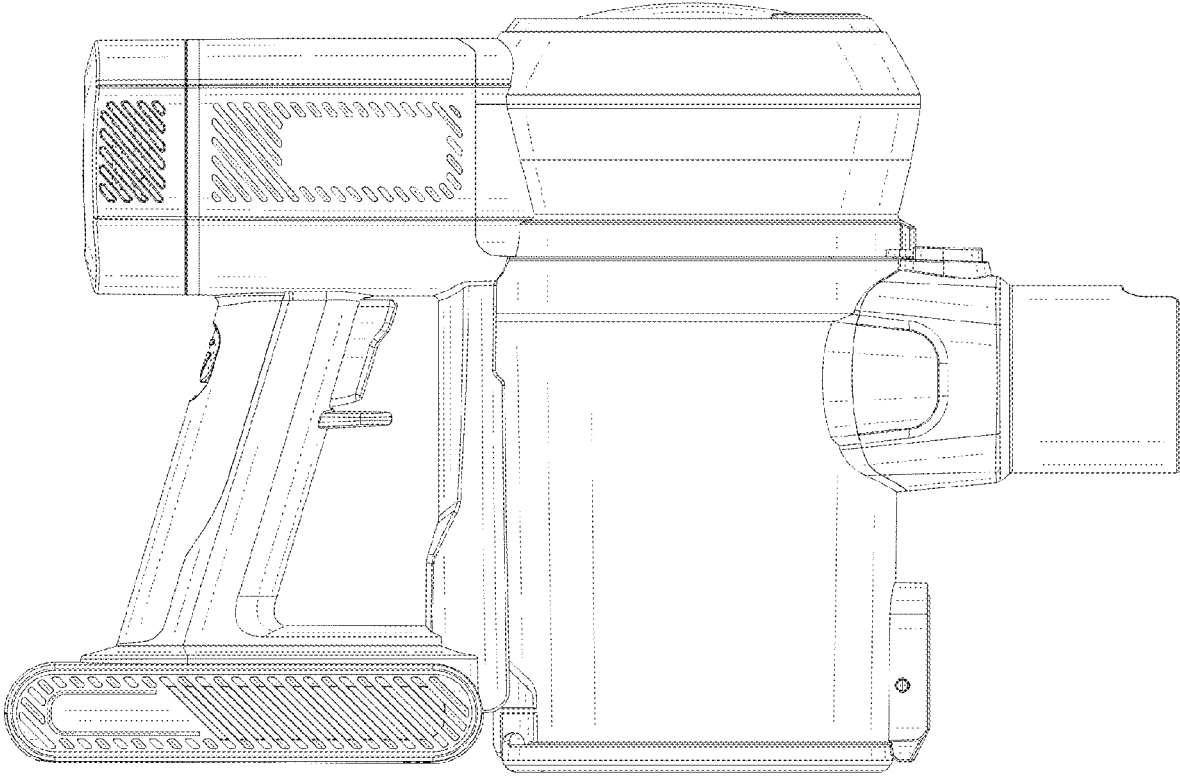


FIG. 3

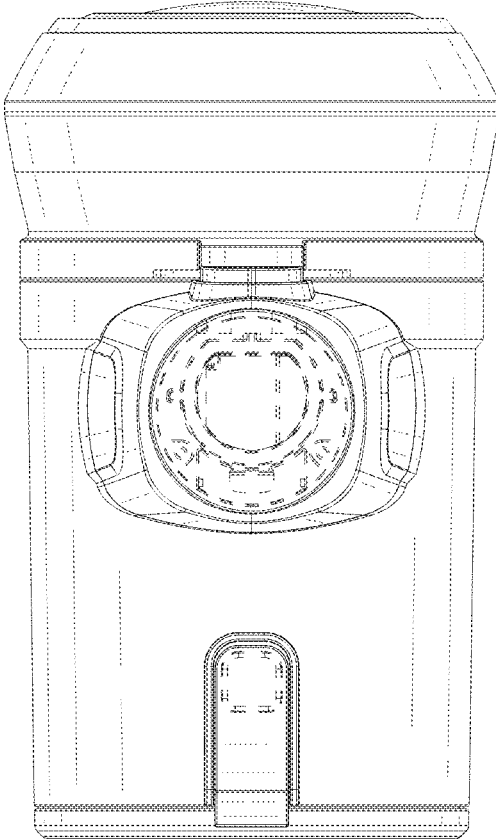


FIG. 4

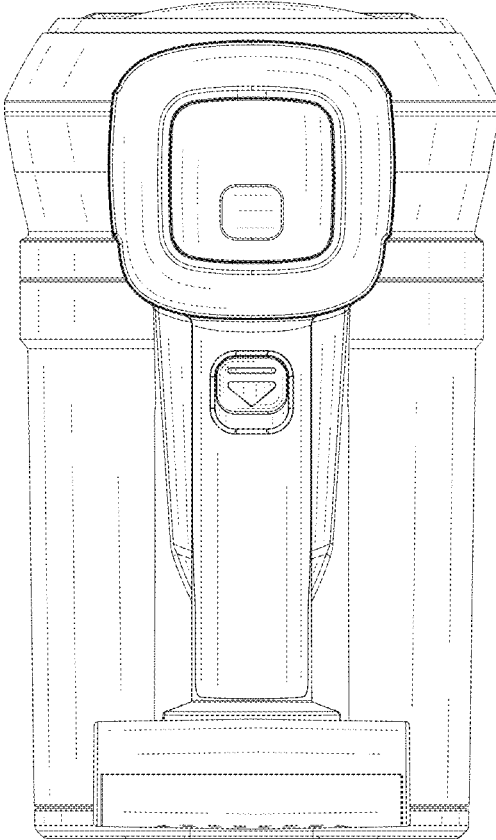


FIG. 5

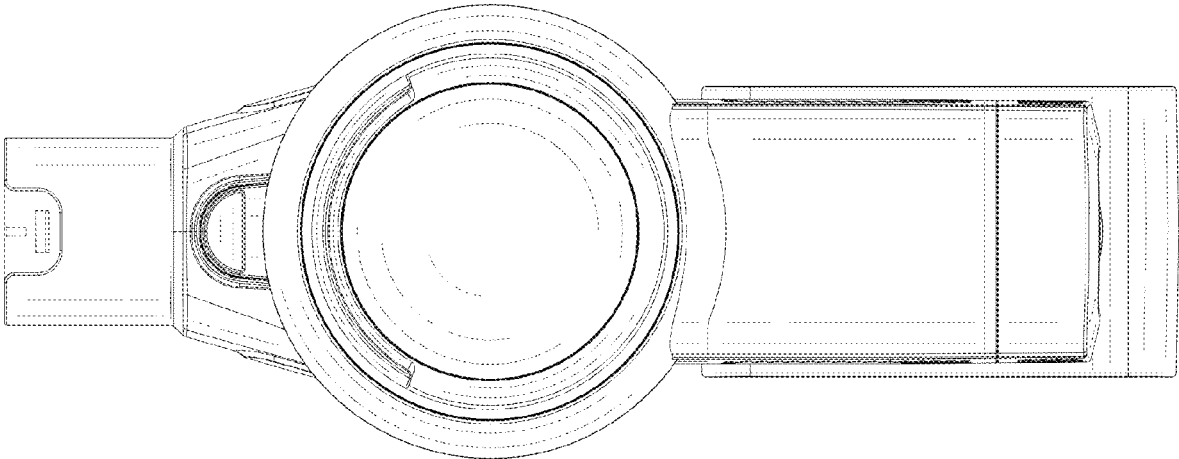


FIG. 6

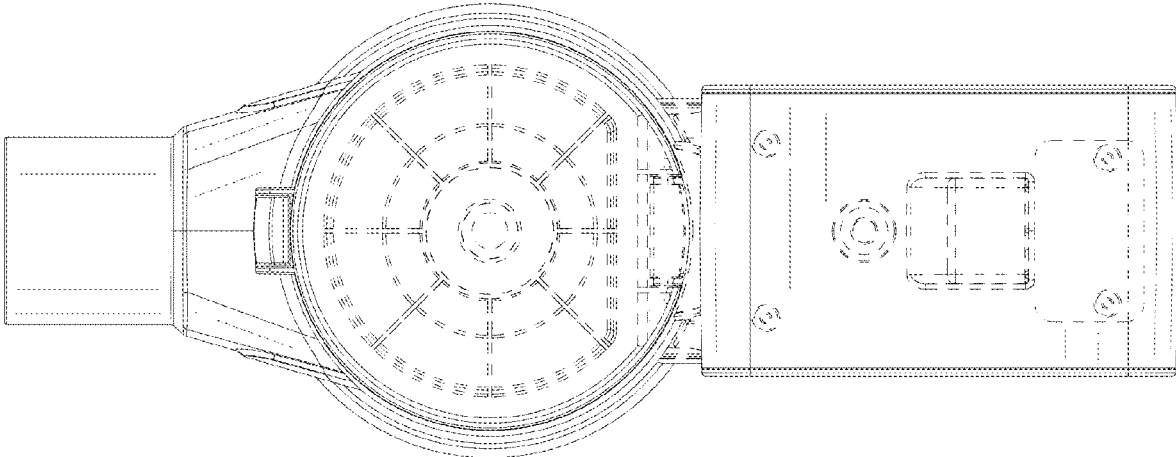


FIG. 7