



US00D545078S

(12) **United States Design Patent**
Jourdan

(10) **Patent No.:** **US D545,078 S**

(45) **Date of Patent:** **** Jun. 26, 2007**

(54) **BED**

6,912,743 B1 * 7/2005 Weil 5/93.1

(75) Inventor: **Eric Jourdan**, Paris (FR)

* cited by examiner

(73) Assignee: **Roset**, Briod (FR)

Primary Examiner—Janice E. Seeger
(74) *Attorney, Agent, or Firm*—Mathews, Shepherd, McKay & Bruneau, P.A.

(**) Term: **14 Years**

(21) Appl. No.: **29/233,579**

(57) **CLAIM**

(22) Filed: **Jul. 6, 2005**

The ornamental design for a bed, as shown and described.

(51) **LOC (8) Cl.** **06-01**

(52) **U.S. Cl.** **D6/393**

(58) **Field of Classification Search** D6/382–384,
D6/388, 393–395, 505–508; 5/53.1, 907,
5/279.1, 280, 281

DESCRIPTION

See application file for complete search history.

FIG. 1 is a front elevational view, showing our new design.

FIG. 2 is a side elevational view thereof.

FIG. 3 is a rear elevational view thereof.

FIG. 4 is a top plan view of the view shown in FIG. 1 thereof.

FIG. 5 is a bottom plan view of the view shown in FIG. 1 thereof; and,

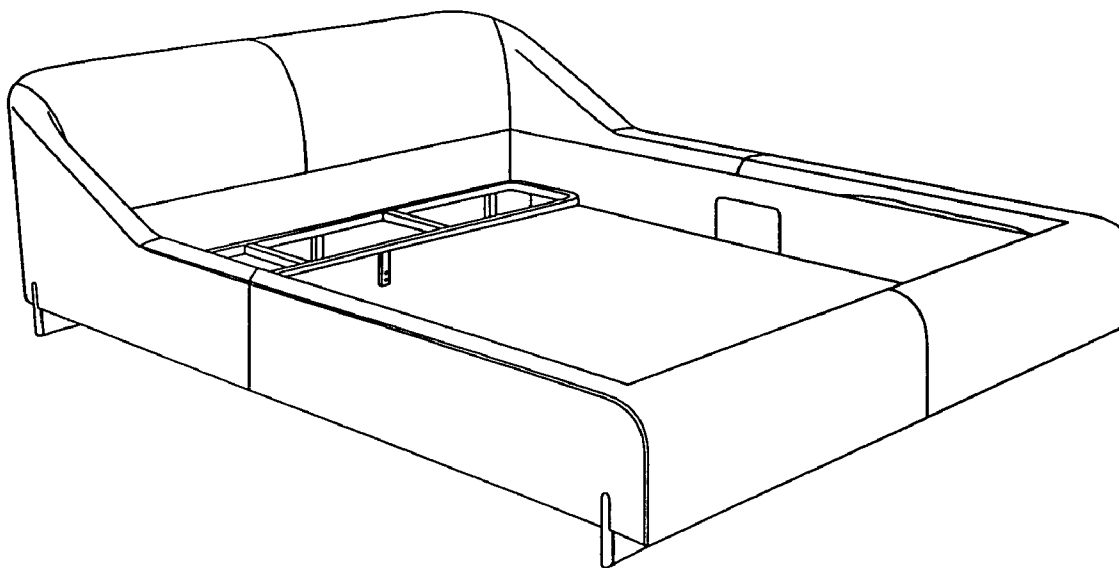
FIG. 6 is a front and side perspective view thereof.

(56) **References Cited**

U.S. PATENT DOCUMENTS

- D454,720 S * 3/2002 O'Hare D6/393
- D480,889 S * 10/2003 Risdon et al. D6/393
- D493,975 S * 8/2004 Juneau et al. D6/393

1 Claim, 6 Drawing Sheets



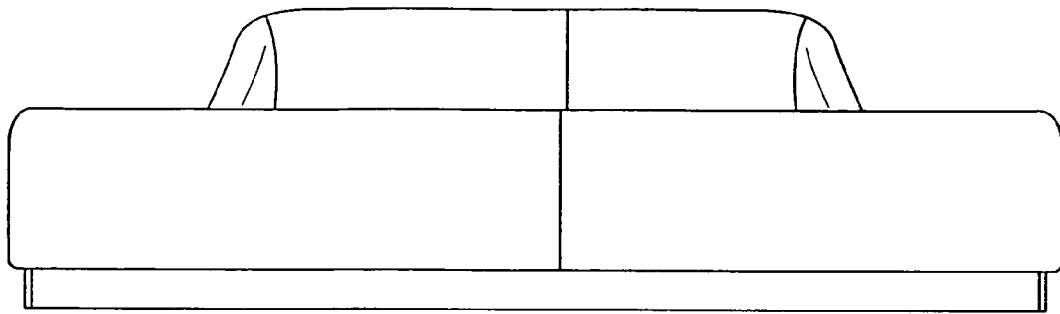


FIG. 1

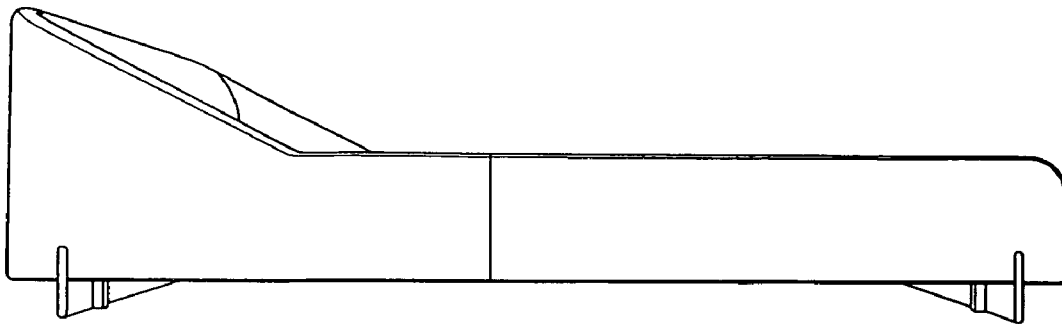


FIG. 2

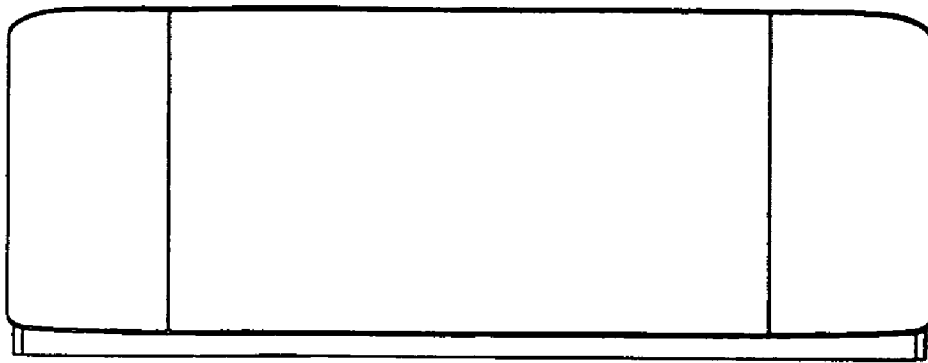


FIG. 3

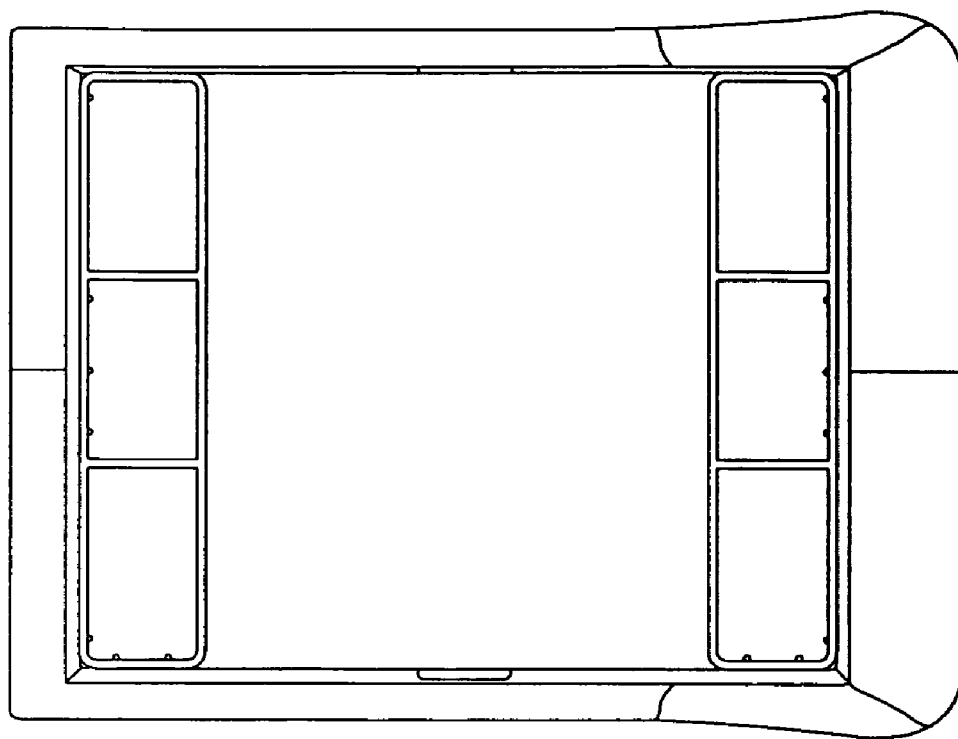


FIG. 4

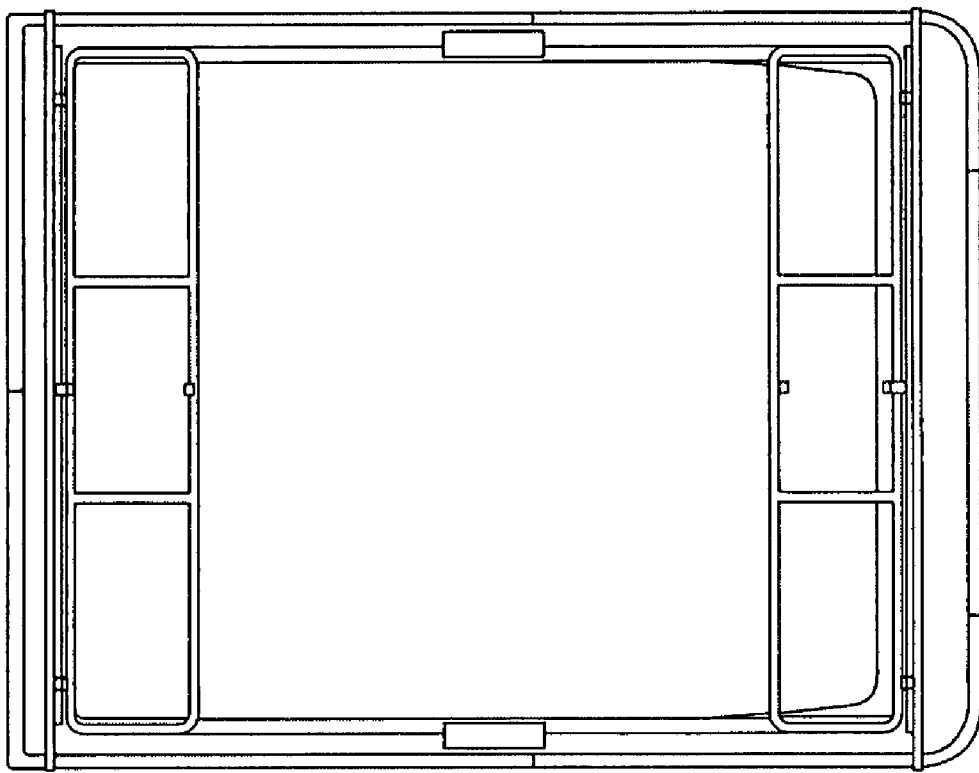


FIG. 5

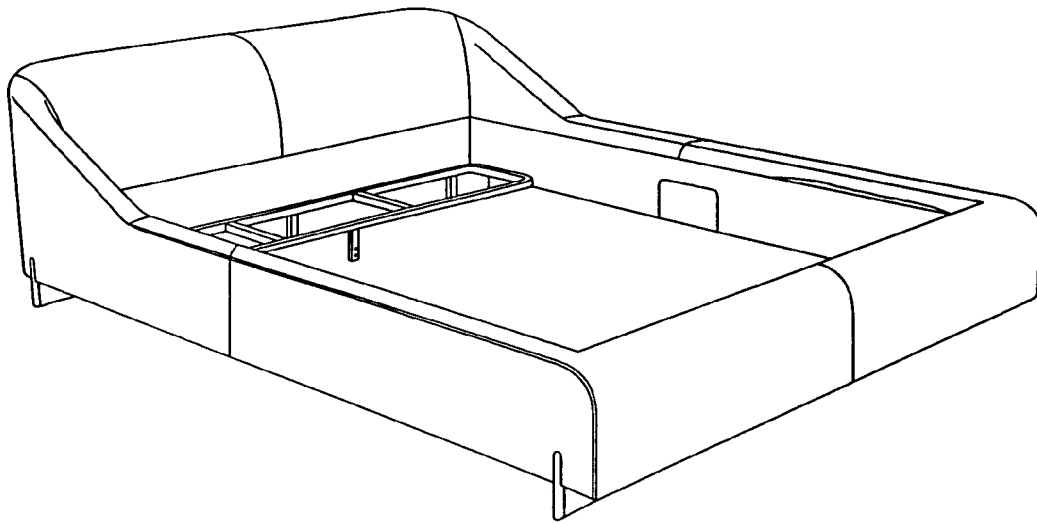


FIG. 6