



(12) **United States Design Patent**  
**Belozerova et al.**

(10) **Patent No.:** **US D935,580 S**  
(45) **Date of Patent:** **\*\* Nov. 9, 2021**

- (54) **SINK**
- (71) Applicant: **Zurn Industries, LLC**, Milwaukee, WI (US)
- (72) Inventors: **Vladlena Belozerova**, Philadelphia, PA (US); **Thomas W. Murray**, Philadelphia, PA (US); **Christopher J. Murray**, Philadelphia, PA (US)
- (73) Assignee: **ZURN INDUSTRIES, LLC**, Milwaukee, WI (US)
- (\*\*) Term: **15 Years**

D697,185 S	1/2014	Spangler	
D697,596 S *	1/2014	Spangler	D23/293.1
D710,978 S	8/2014	Spangler	
D744,620 S	12/2015	Adkison et al.	
D745,122 S	12/2015	Schönherr et al.	
D745,951 S	12/2015	Schönherr et al.	
D791,288 S	7/2017	Schönherr et al.	
D797,907 S *	9/2017	Esteve	D23/293.1
D800,278 S	10/2017	Breda	
D804,621 S	12/2017	Brandli	
D805,169 S *	12/2017	Stevenson	D23/293.1
D810,896 S	2/2018	Streng	
D831,798 S *	10/2018	L'Henaff	D23/293.1
D838,351 S	1/2019	Yoshihara	
D840,005 S *	2/2019	Wieser	D23/290
D840,518 S *	2/2019	Richter	D23/284

(Continued)

- (21) Appl. No.: **29/741,412**
- (22) Filed: **Jul. 13, 2020**

*Primary Examiner* — John A Voytek  
(74) *Attorney, Agent, or Firm* — Michael Best & Friedrich LLP

**Related U.S. Application Data**

- (62) Division of application No. 29/621,504, filed on Oct. 9, 2017, now Pat. No. Des. 890,311.
- (51) **LOC (13) Cl.** ..... **23-02**
- (52) **U.S. Cl.**  
USPC ..... **D23/293.1**
- (58) **Field of Classification Search**  
USPC ..... D23/284, 293.1, 287-292, 303, 308  
CPC ..... A47K 1/04; A47B 77/06; A47J 47/20  
See application file for complete search history.

(57) **CLAIM**

The ornamental design for a sink, as shown and described.

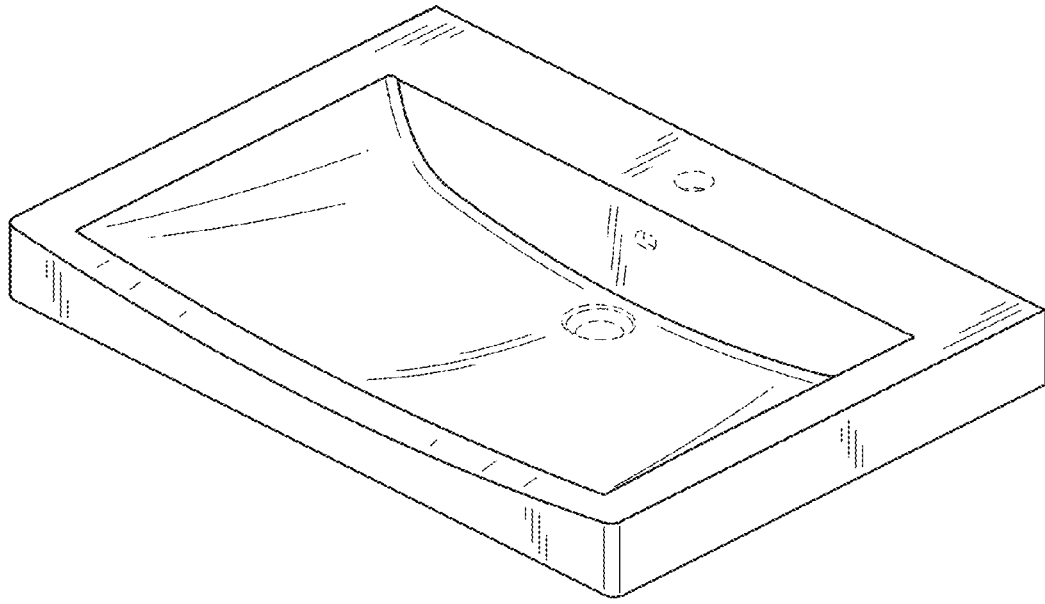
**DESCRIPTION**

FIG. 1 is a top, front, and right side perspective view of a sink in accordance with our new design;  
 FIG. 2 is a top plan view of the sink of FIG. 1;  
 FIG. 3 is a front elevational view of the sink of FIG. 1;  
 FIG. 4 is a rear elevational view of the sink of FIG. 1;  
 FIG. 5 is a right side elevational view of the sink of FIG. 1;  
 FIG. 6 is a left side elevational view of the sink of FIG. 1;  
 FIG. 7 is a bottom plan view of the sink of FIG. 1; and,  
 FIG. 8 is a cross-sectional side view of the sink taken through line 8-8 of FIG. 2.

The dash-dash broken lines are for the purpose of illustrating unclaimed subject matter only and form no part of the claimed design.

- (56) **References Cited**  
U.S. PATENT DOCUMENTS
- |            |         |                |
|------------|---------|----------------|
| D391,353 S | 2/1998  | McKeone        |
| D499,797 S | 12/2004 | Bates          |
| D507,334 S | 7/2005  | Ferrer Beltran |
| D518,560 S | 4/2006  | Arkay-Leliever |
| D545,415 S | 6/2007  | Tani et al.    |
| D601,679 S | 10/2009 | Soulier        |
| D659,811 S | 5/2012  | Licini         |

**1 Claim, 5 Drawing Sheets**



(56)

**References Cited**

U.S. PATENT DOCUMENTS

D875,903	S	*	2/2020	Flowers	.....	D23/284
D890,311	S	*	7/2020	Belozero	.....	D23/290
D892,990	S	*	8/2020	Thorne	.....	D23/293.1
D896,931	S	*	9/2020	Flowers	.....	D23/284
D912,786	S	*	3/2021	Flowers	.....	D23/284
2014/0223658	A1		8/2014	Kempen et al.		

\* cited by examiner

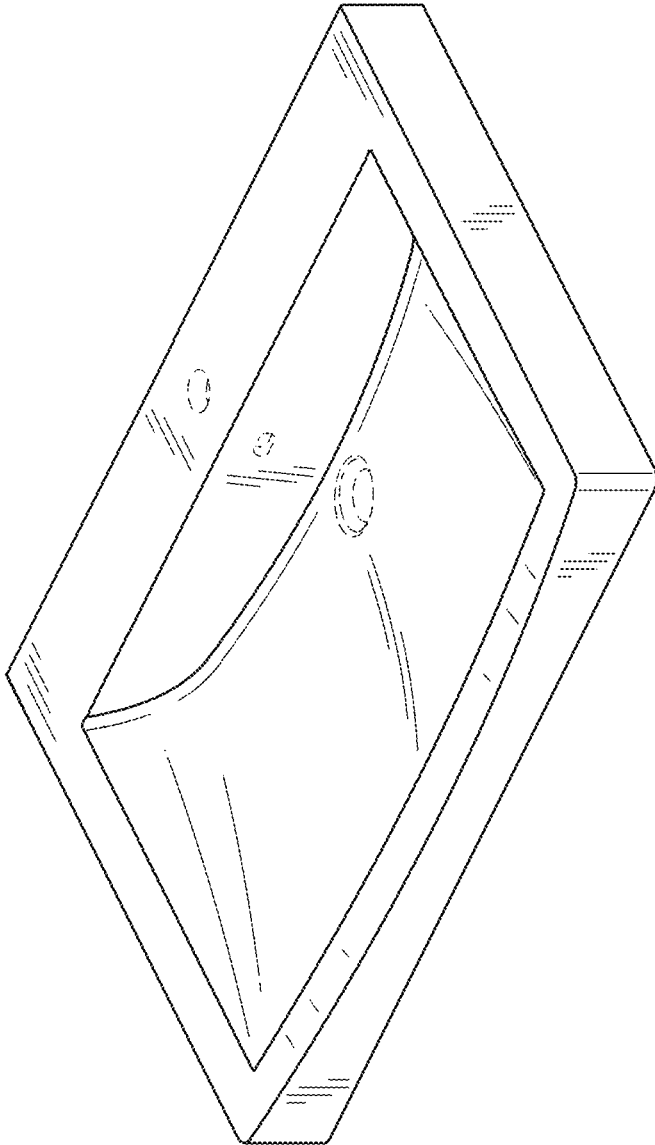


FIG. 1

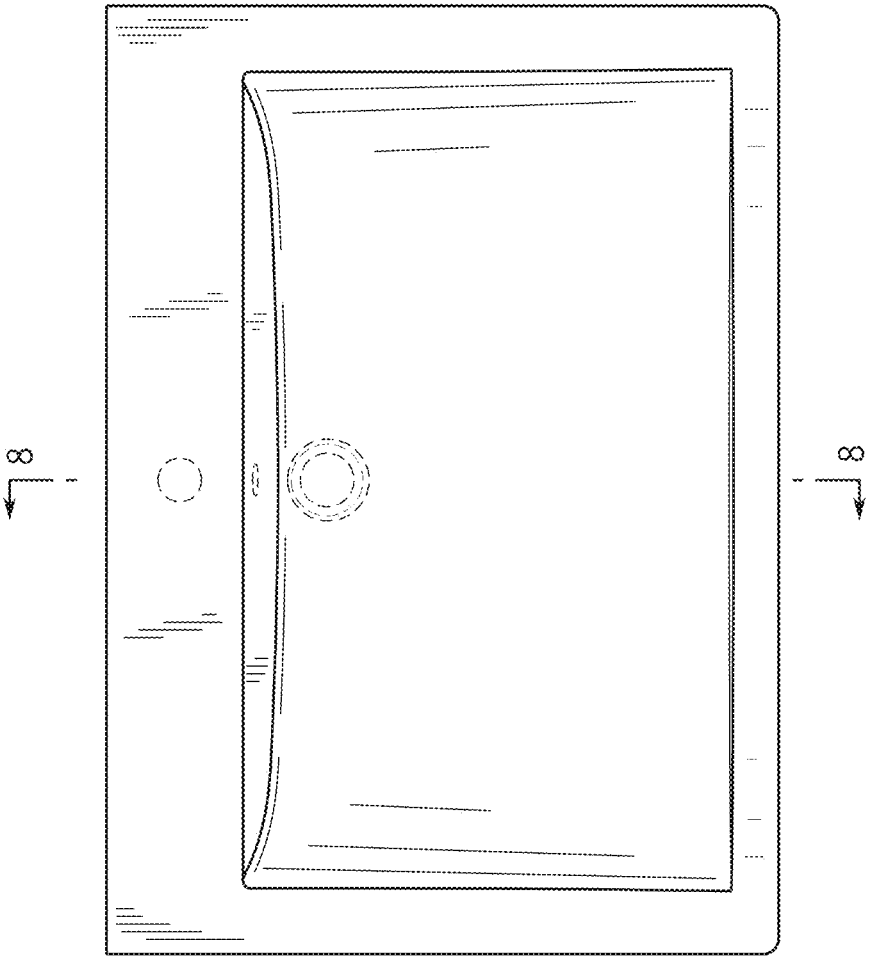


FIG. 2

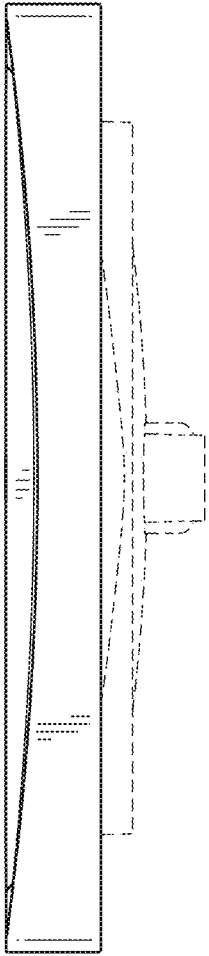


FIG. 3

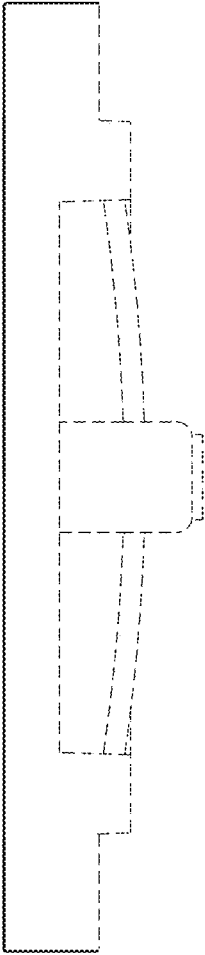


FIG. 4

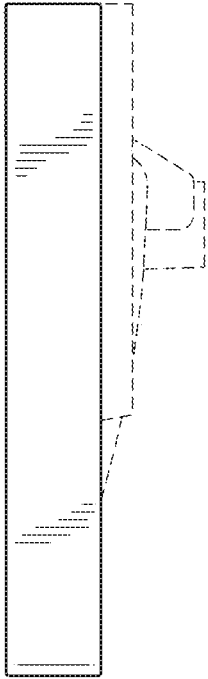


FIG. 5

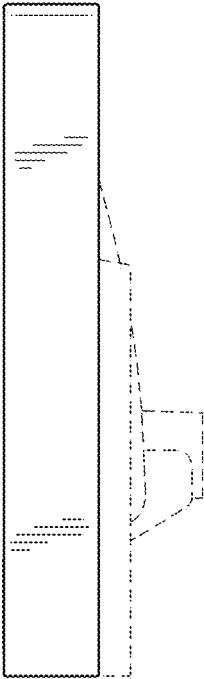


FIG. 6

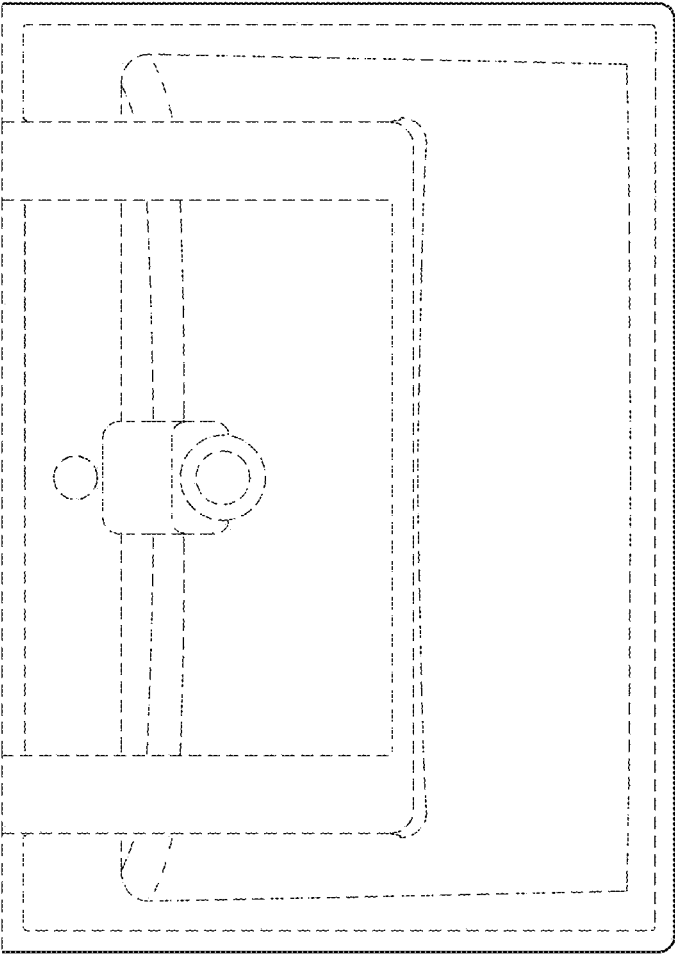


FIG. 7

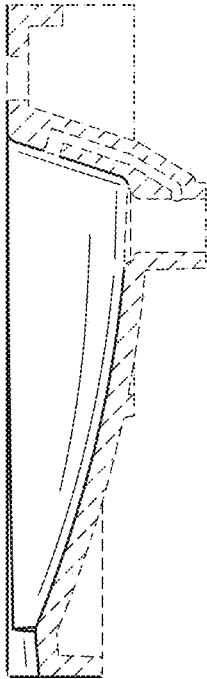


FIG. 8