



US00D348237S

United States Patent [19]

[11] Patent Number: Des. 348,237

Strodtman

[45] Date of Patent: ** Jun. 28, 1994

[54] GOLF CART

[76] Inventor: Gary W. Strodtman, 23226 State Hwy., Paynesville, Minn. 56362

[**] Term: 14 Years

[21] Appl. No.: 5,147

[22] Filed: Feb. 24, 1993

[52] U.S. Cl. D12/16; D12/101

[58] Field of Search 280/DIG. 5; 296/186; D12/16, 101

[56] **References Cited**

U.S. PATENT DOCUMENTS

- D. 229,985 1/1974 Trevers D12/101
- D. 255,558 6/1980 Ekuan D12/16

- D. 271,008 10/1983 Saparito D12/16
- D. 300,416 3/1989 Britten D12/101
- D. 320,580 10/1991 Kerr D12/16
- D. 326,831 6/1992 Lanius et al. D12/16

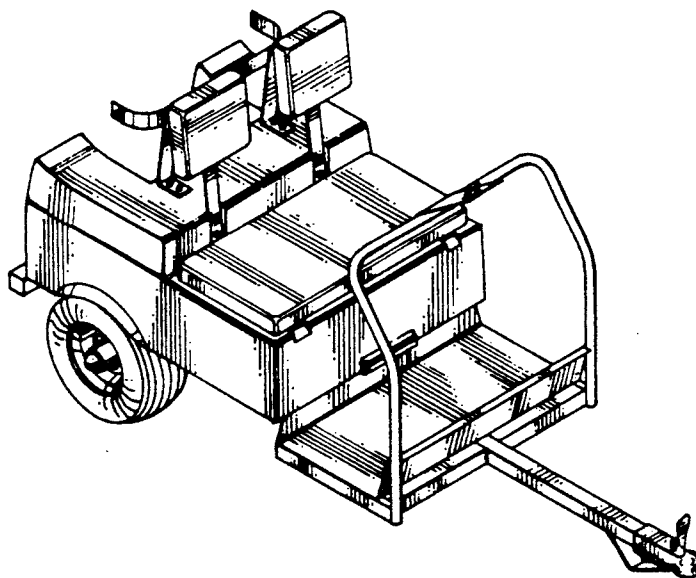
Primary Examiner—Wallace R. Burke
Assistant Examiner—M. Brown
Attorney, Agent, or Firm—Patterson & Keough

[57] **CLAIM**

The ornamental design for a golf cart, as shown.

DESCRIPTION

FIG. 1 is a perspective view of the golf cart; FIG. 2 is a side elevational view of the golf cart; FIG. 3 is a front elevational view of the golf cart; FIG. 4 is a rear elevational view of the golf cart; FIG. 5 is a top plan view of the golf cart; and, FIG. 6 is a bottom plan view of the golf cart.



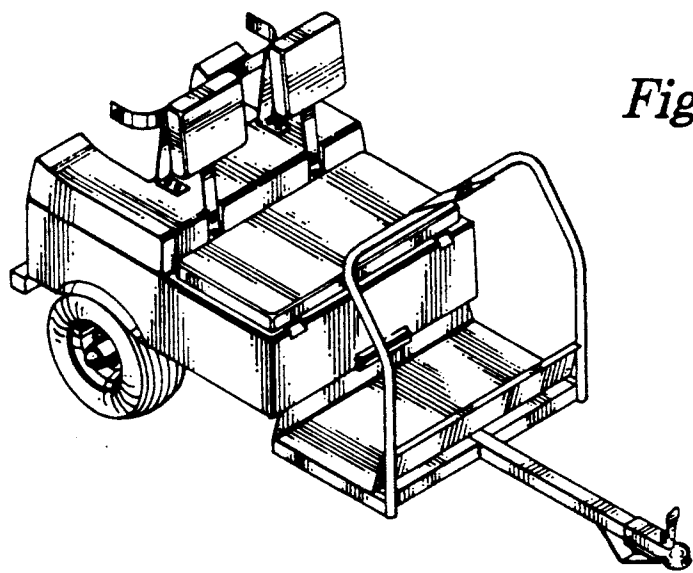


Fig.1

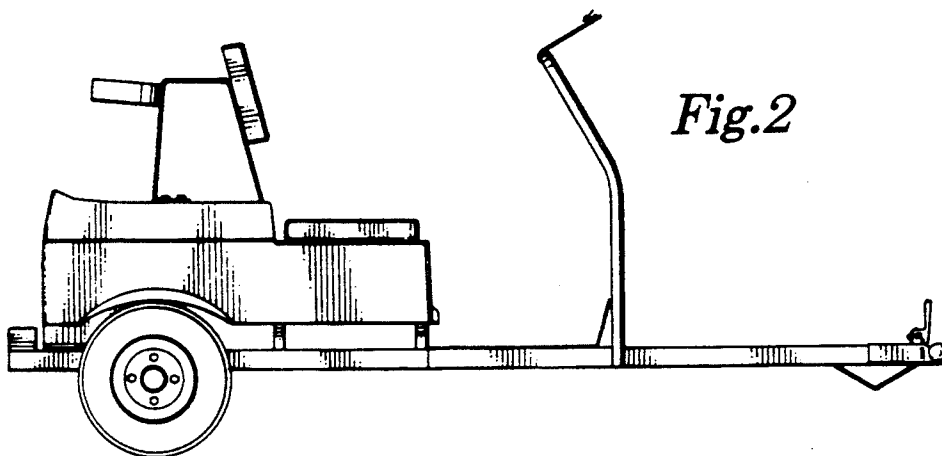


Fig.2

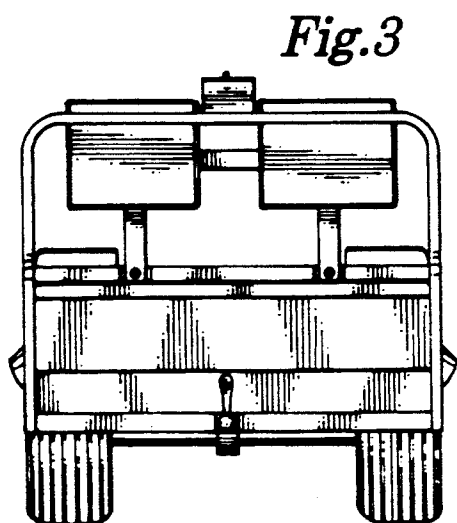


Fig.3

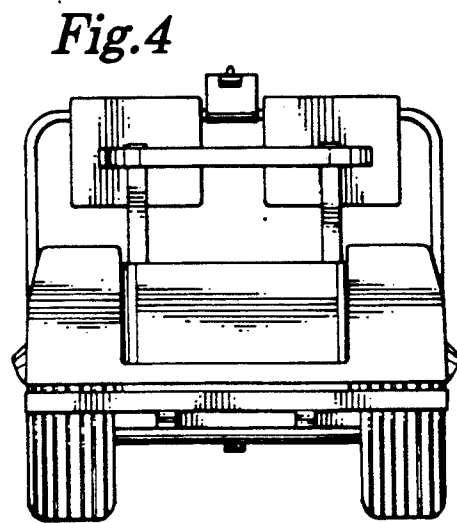


Fig.4

Fig.5

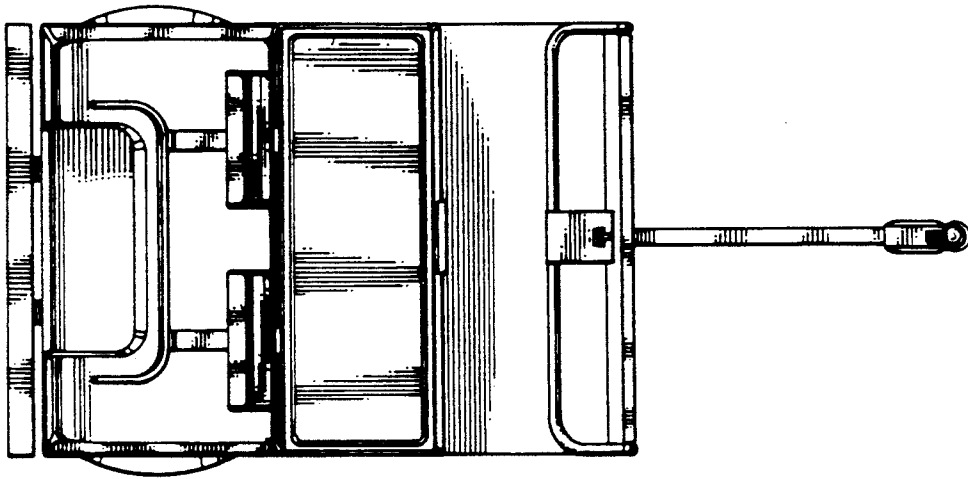


Fig.6

