



US00D744561S

(12) **United States Design Patent**  
**Hassan et al.**

(10) **Patent No.:** **US D744,561 S**

(45) **Date of Patent:** **\*\* Dec. 1, 2015**

- (54) **TAPERED NOZZLE ASSEMBLY**
- (71) Applicant: **Victor Equipment Company**, Denton, TX (US)
- (72) Inventors: **Khalid Hassan**, Denton, TX (US); **Glenn Redding**, Flower Mound, TX (US); **Ross Fleischmann**, Denton, TX (US)
- (73) Assignee: **Victor Equipment Company**, Denton, TX (US)

D225,185 S *	11/1972	Kittner .....	D23/213
D231,928 S *	6/1974	Nelson .....	D23/213
4,158,763 A *	6/1979	Moerke .....	219/137.42
D281,349 S *	11/1985	Goldish .....	D23/223
5,045,665 A *	9/1991	Sarkissian .....	219/75
D371,426 S *	7/1996	Darin .....	D23/213
D459,785 S *	7/2002	Chih .....	D23/213
6,892,963 B1 *	5/2005	Scarpa et al. ....	239/424.5
D542,815 S *	5/2007	Concari et al. ....	D15/140
D565,697 S *	4/2008	Thiel et al. ....	D23/213
D589,319 S *	3/2009	Peters .....	D8/70
D594,306 S *	6/2009	Decker .....	D8/70
8,552,341 B2 *	10/2013	Zamuner .....	219/137.31
D703,713 S *	4/2014	Frazier .....	D15/139
D717,626 S *	11/2014	Dickrede .....	D8/70

(\*\*) Term: **14 Years**

\* cited by examiner

(21) Appl. No.: **29/503,024**

*Primary Examiner* — Susan Bennett Hattan

(22) Filed: **Sep. 22, 2014**

*Assistant Examiner* — Brett Miller

(51) **LOC (10) Cl.** ..... **15-09**

(74) *Attorney, Agent, or Firm* — Kacvinsky Daisak Bluni PLLC

(52) **U.S. Cl.**

USPC ..... **D15/144**

(58) **Field of Classification Search**

USPC ..... D15/138–144.2, 21, 123; 299/104–111; 241/207; 219/137.31, 137.42–137.44, 219/137.61–137.63, 74, 75; D8/70; D23/223, 213; 239/419, 424.5, 549

See application file for complete search history.

(57) **CLAIM**

The ornamental design for a tapered nozzle assembly, as shown and described.

**DESCRIPTION**

FIG. 1 is a rear perspective view of the tapered nozzle assembly;

FIG. 2 is a front perspective view thereof;

FIG. 3 is a side view thereof;

FIG. 4 is a rear view thereof; and,

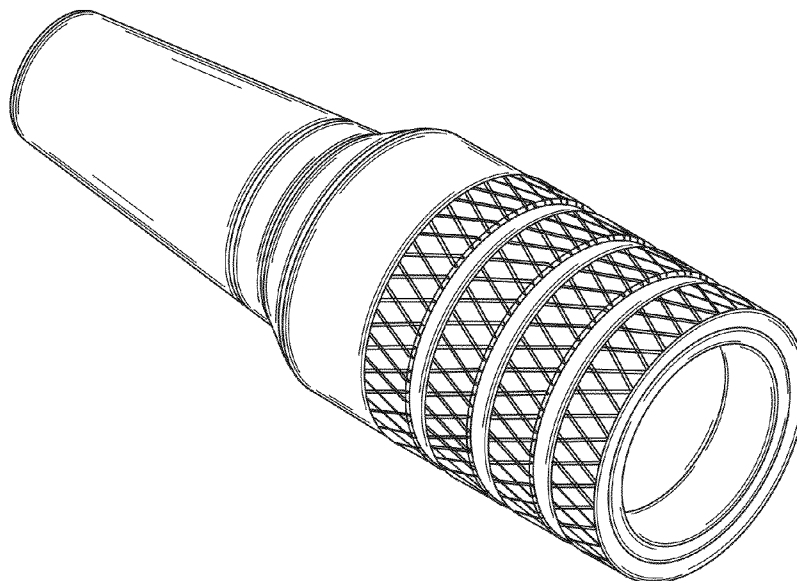
FIG. 5 is a front view thereof.

(56) **References Cited**

U.S. PATENT DOCUMENTS

2,514,777 A *	7/1950	Marra .....	239/424.5
2,727,126 A *	12/1955	Guest et al. ....	219/75

**1 Claim, 5 Drawing Sheets**



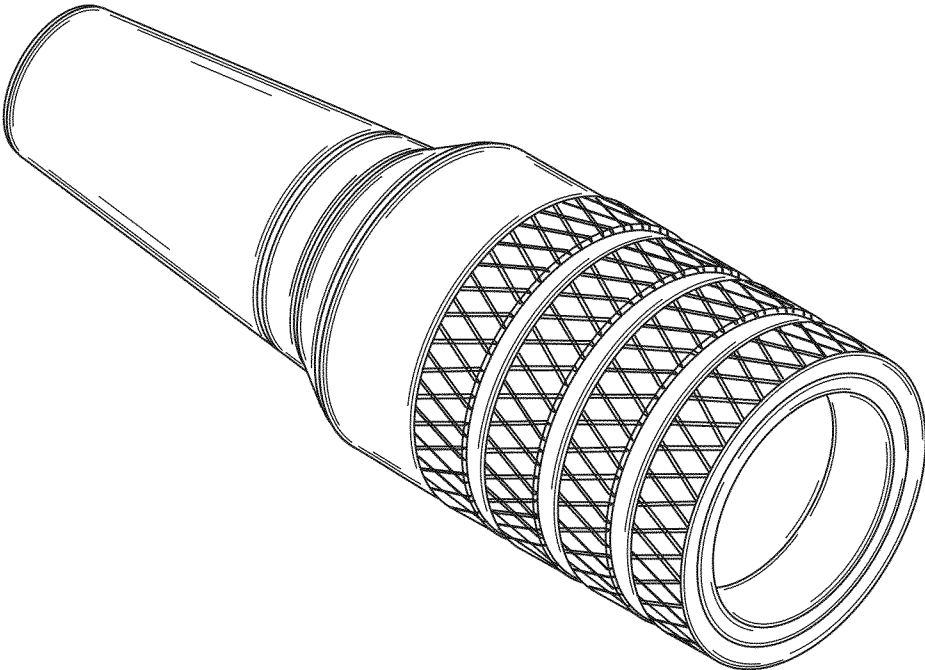


FIG. 1

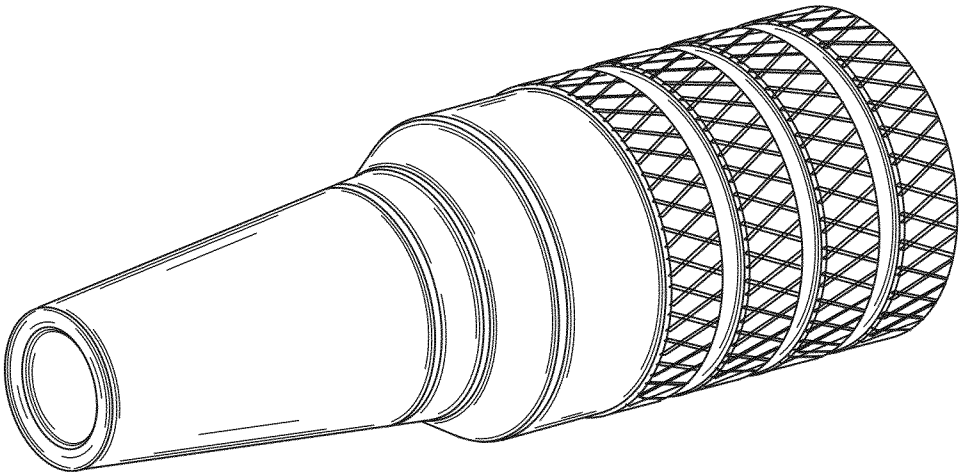


FIG. 2

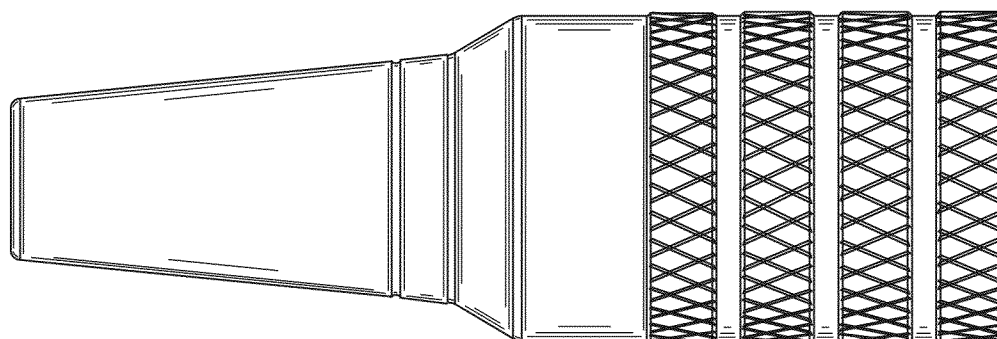


FIG. 3

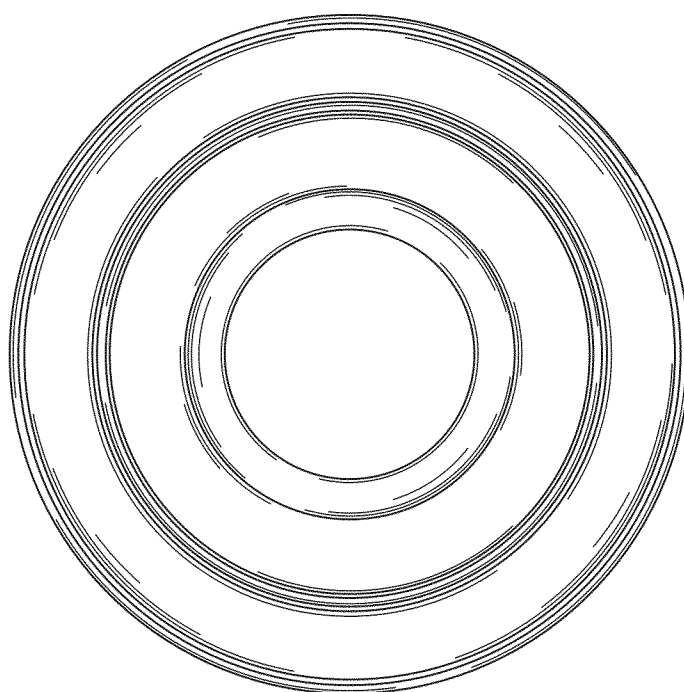


FIG. 4

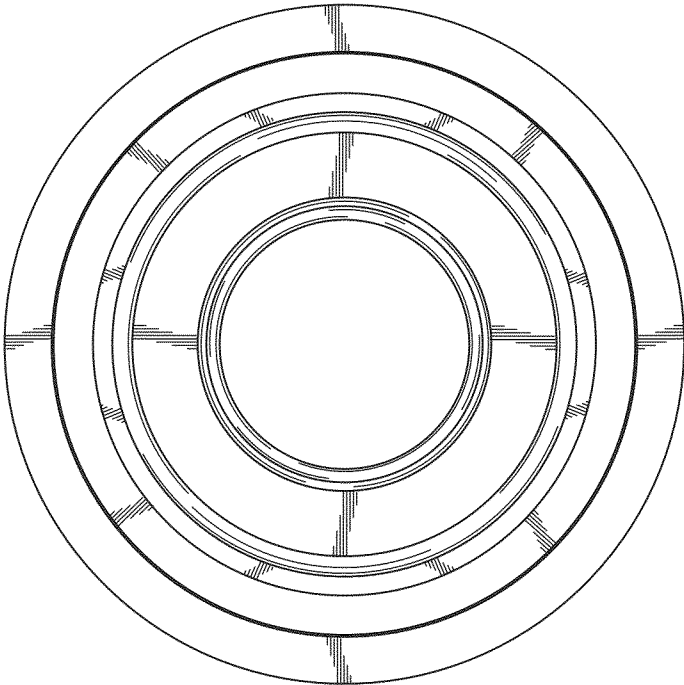


FIG. 5