



US00D356211S

United States Patent [19]

[11] Patent Number: Des. 356,211

Apps et al.

[45] Date of Patent: ** Mar. 14, 1995

[54] NESTABLE TRAY FOR BOTTLES

5,292,001 3/1994 Langenbeck et al. 206/518

[75] Inventors: William P. Apps, Anaheim; Jonathan A. Kalin, Manhattan Beach, both of Calif.

FOREIGN PATENT DOCUMENTS

2504889 4/1981 France .

[73] Assignee: Rehrig Pacific Company, Los Angeles, Calif.

OTHER PUBLICATIONS

Containers For Special Needs Leaflet, Published Jan. 1983.

[**] Term: 14 Years

Two photographs of Husky Lite crate, one perspective view and a top view (date unknown).

[21] Appl. No.: 9,358

Primary Examiner—Bernard Ansher

Assistant Examiner—Mitchell I. Siegel

[22] Filed: Jun. 11, 1993

Attorney, Agent, or Firm—Banner, Birch, McKie and Beckett

[52] U.S. Cl. D3/304

[58] Field of Search D3/304-314; D9/424; 206/139, 144, 503-507, 509, 514, 515, 517, 518; 220/890, DIG. 12, DIG. 2

[57] CLAIM

The ornamental design for a nestable tray for bottles, as shown and described.

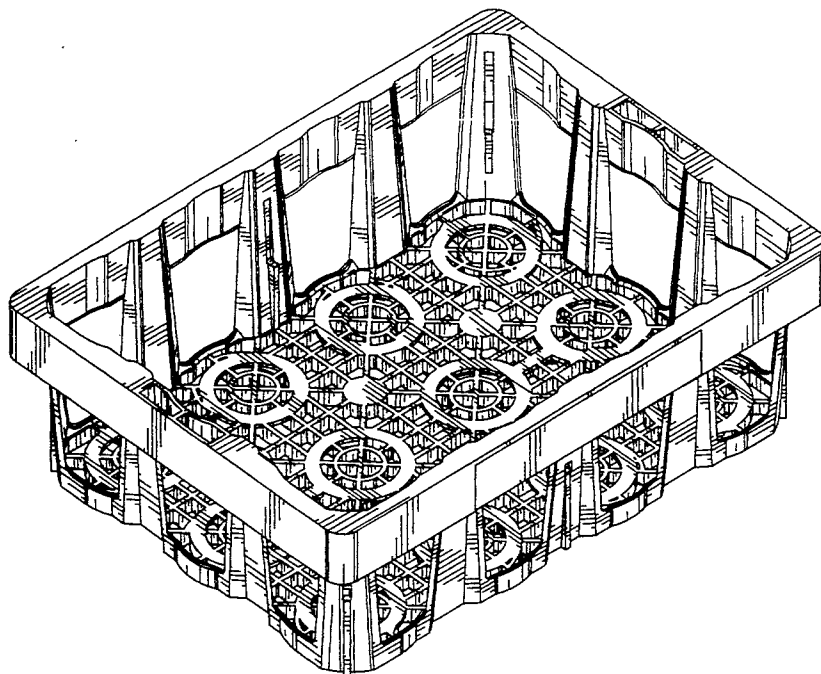
[56] References Cited

U.S. PATENT DOCUMENTS

- D. 317,670 6/1991 Apps .
- D. 318,552 7/1991 Apps .
- D. 322,917 1/1992 Morris et al. .
- D. 326,346 5/1992 Osakada .
- 3,270,913 9/1966 Bridenstine et al. .
- 3,613,943 10/1971 Bridenstine .
- 3,672,530 6/1992 Bridenstine et al. .
- 4,189,052 2/1980 Carroll et al. .
- 4,256,224 3/1981 Hirota .
- 4,548,320 10/1985 Box .
- 4,932,532 6/1990 Apps et al. .
- 5,031,761 7/1991 de Larosiere .
- 5,031,774 7/1991 Morris et al. .
- 5,038,961 8/1991 Watanabe et al. .
- 5,097,980 3/1992 Warwick .
- 5,105,948 4/1992 Morris et al. .
- 5,184,748 2/1993 Apps .
- 5,188,233 2/1993 Hammett .

DESCRIPTION

FIG. 1 is a top perspective view of a nestable tray for bottles showing our new design;
 FIG. 2 is a bottom perspective view thereof;
 FIG. 3 is a top plan view thereof;
 FIG. 4 is a bottom plan view thereof;
 FIG. 5 is a front elevational view thereof; the rear elevational view being a mirror image;
 FIG. 6 is a right end elevational view thereof; the left end elevational view being a mirror image;
 FIG. 7 is a top perspective view thereof, the broken line showing of a nested tray is for illustrative purposes only and forms no part of the claimed design;
 FIG. 8 is an enlarged perspective section taken along line 8—8 of FIG. 3; and,
 FIG. 9 is an enlarged elevational view taken along line 9—9 of FIG. 3.



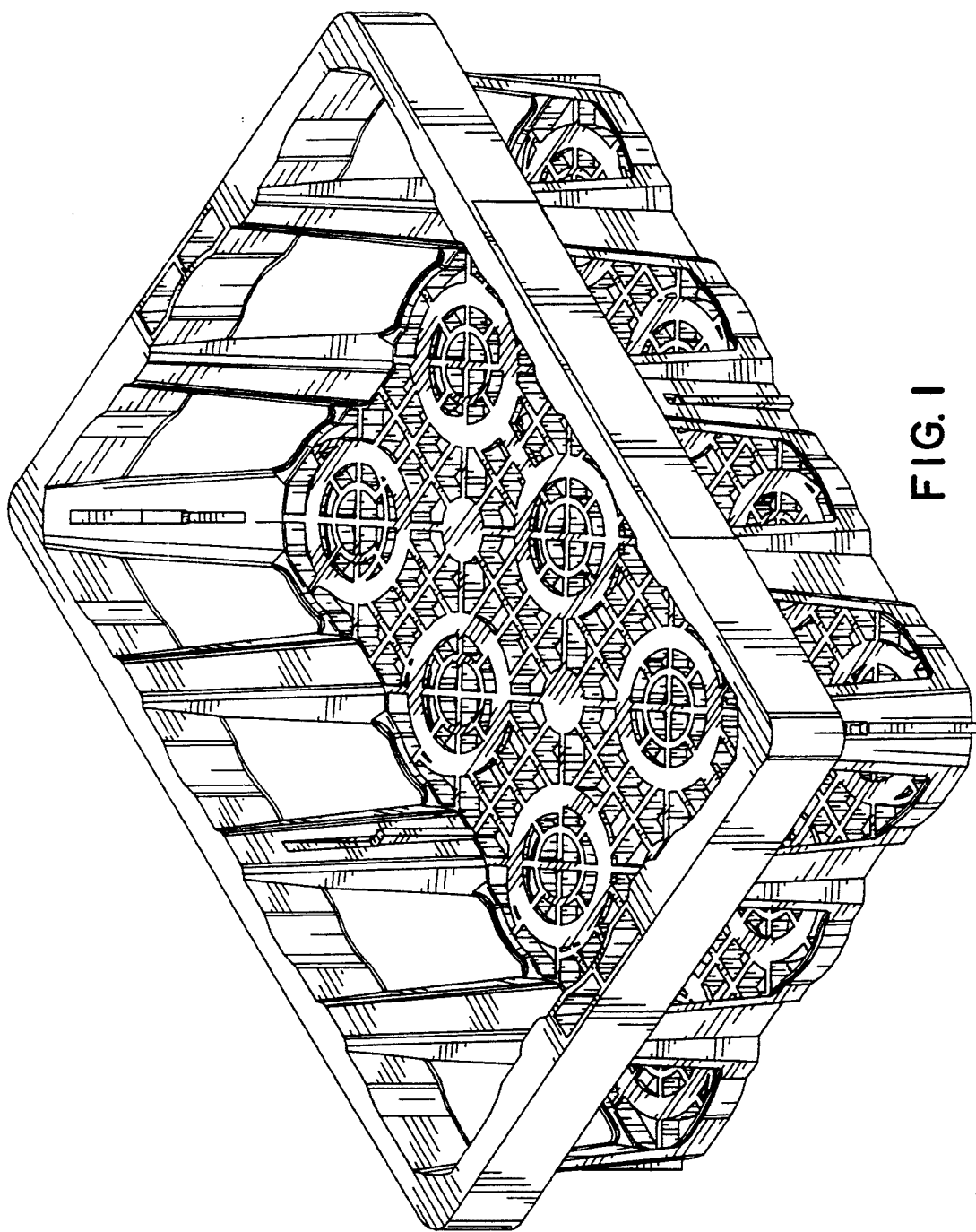


FIG. 1

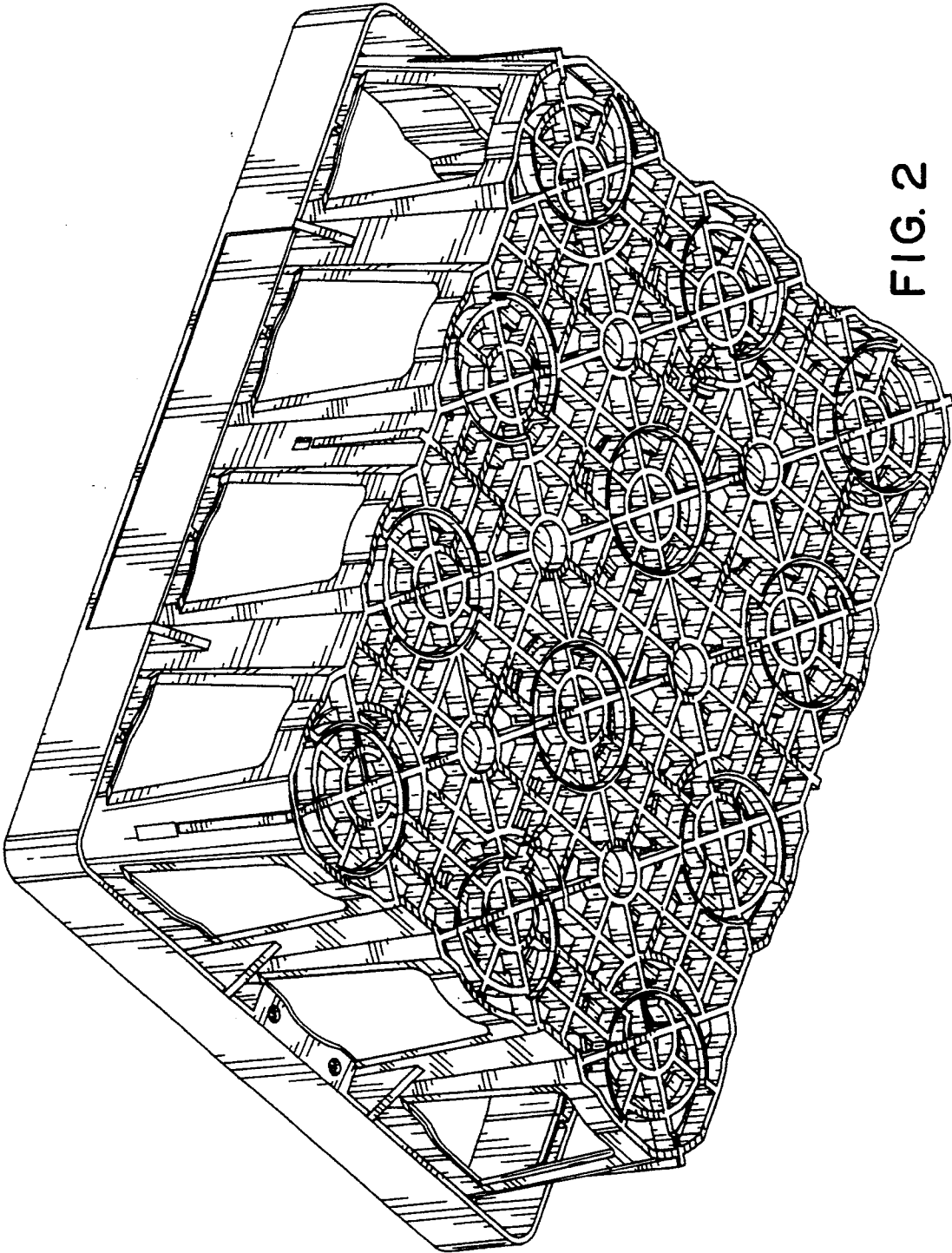


FIG. 2

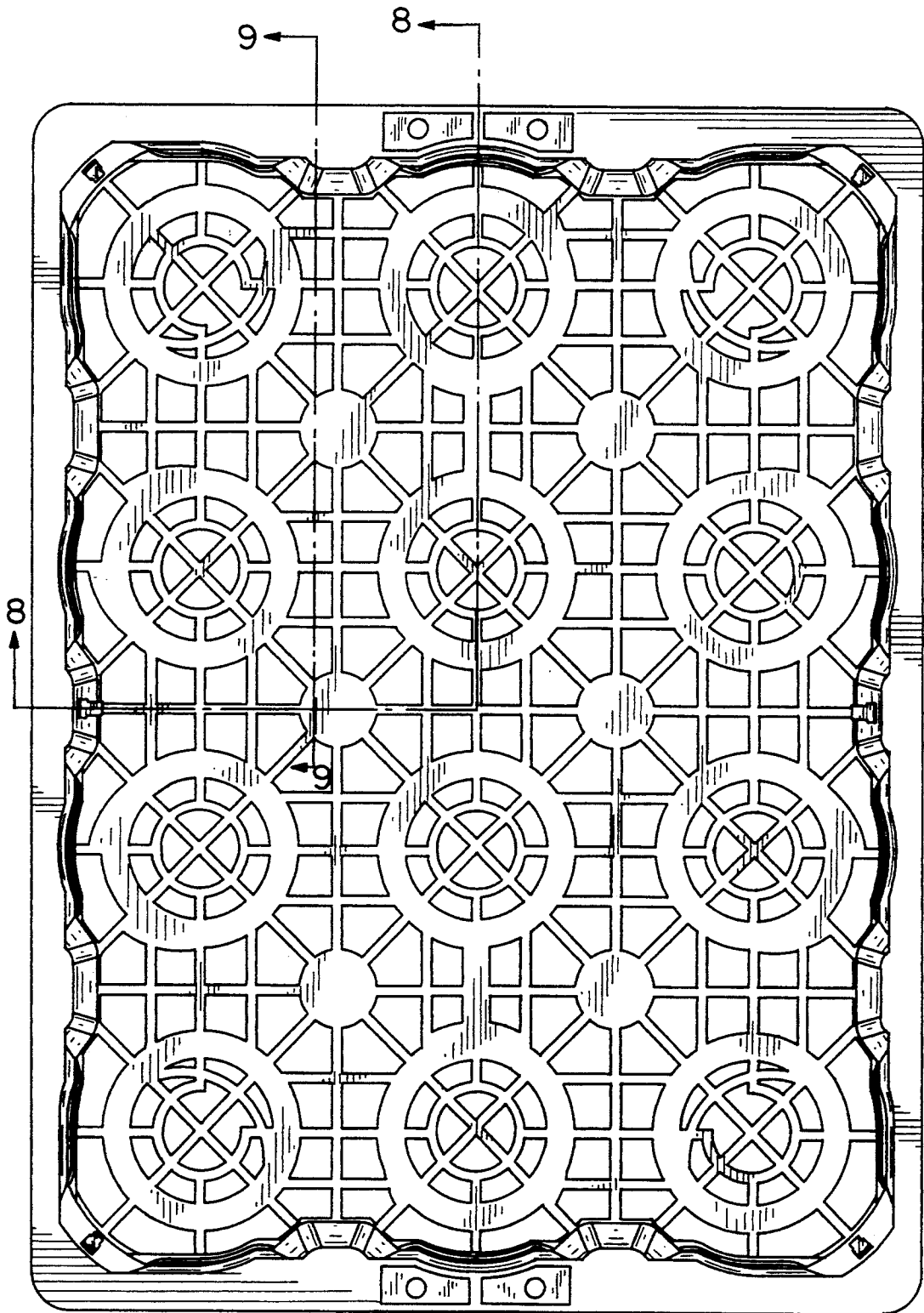


FIG. 3

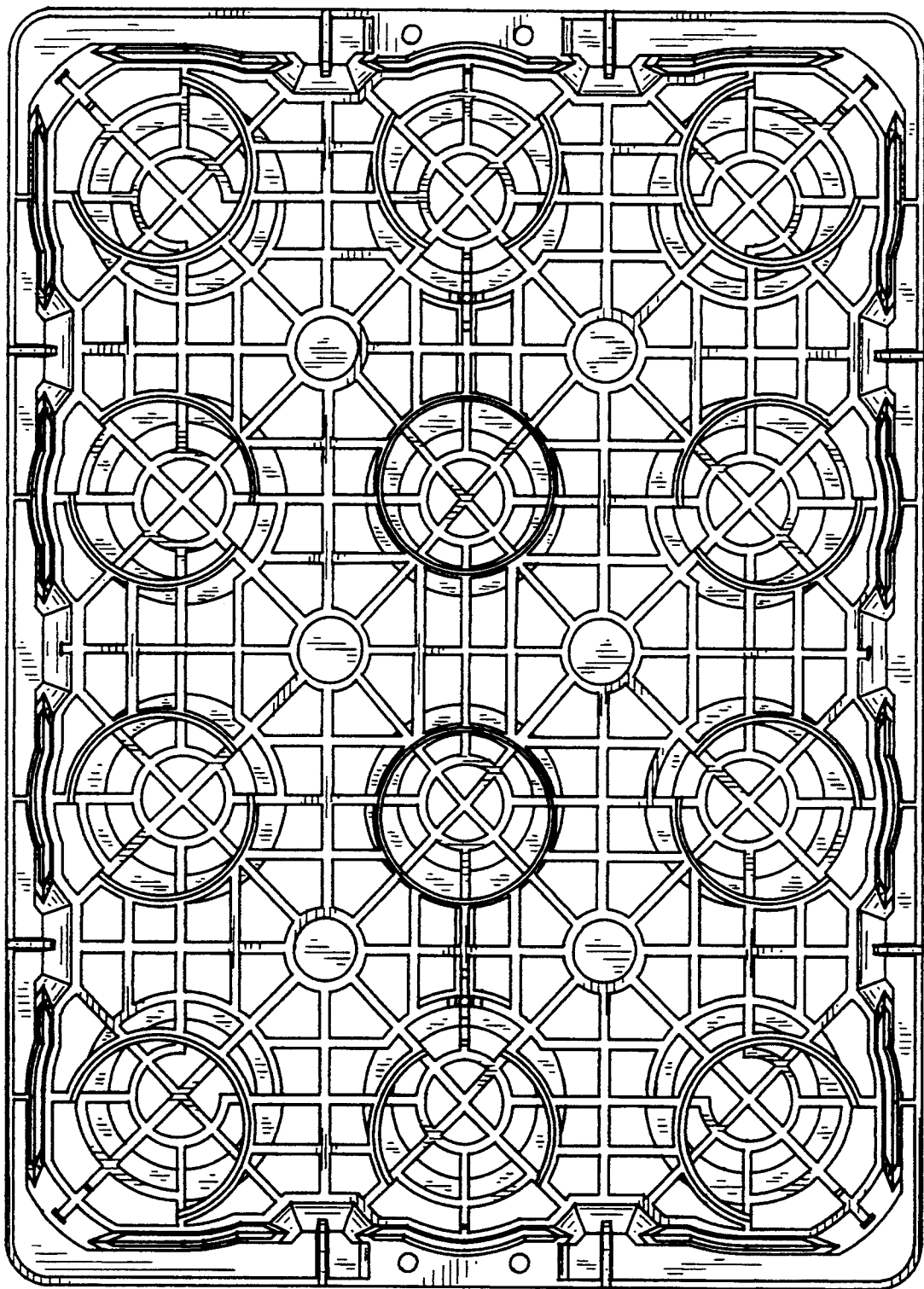


FIG. 4

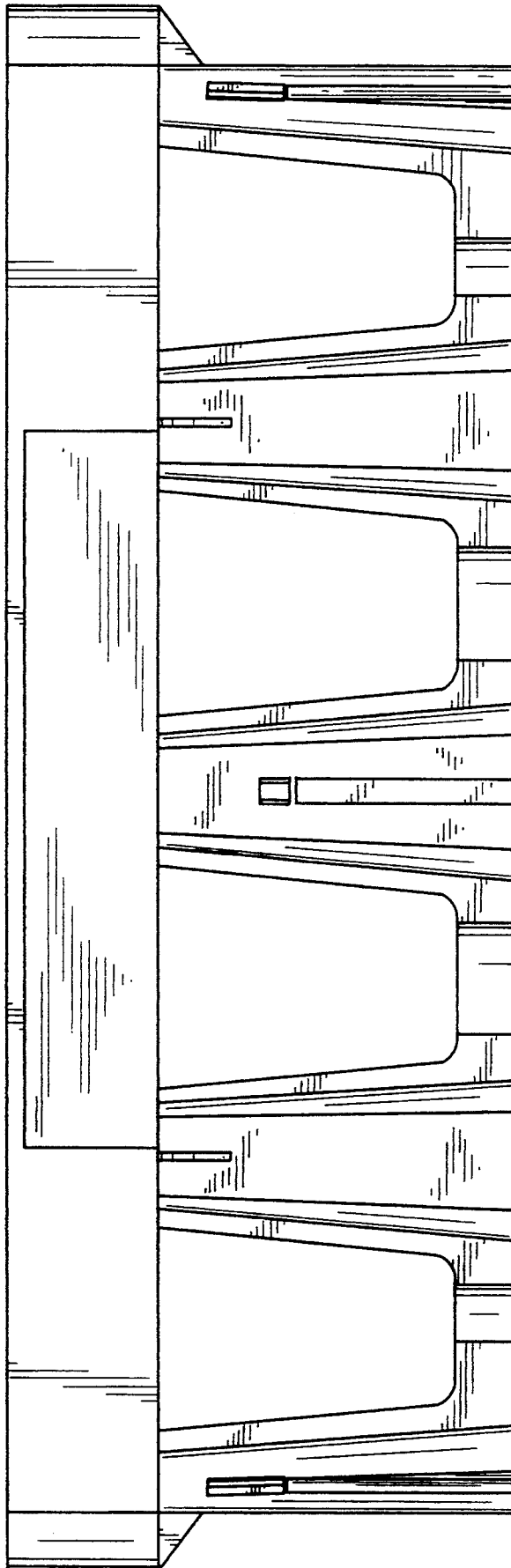


FIG. 5

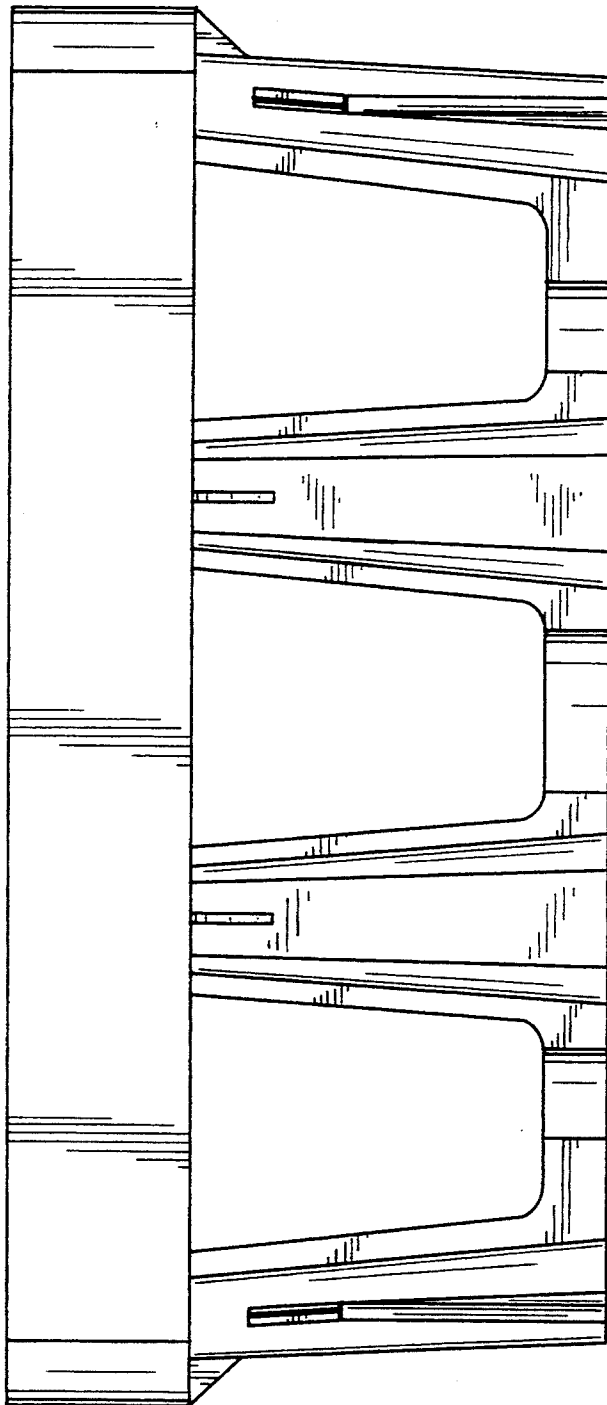
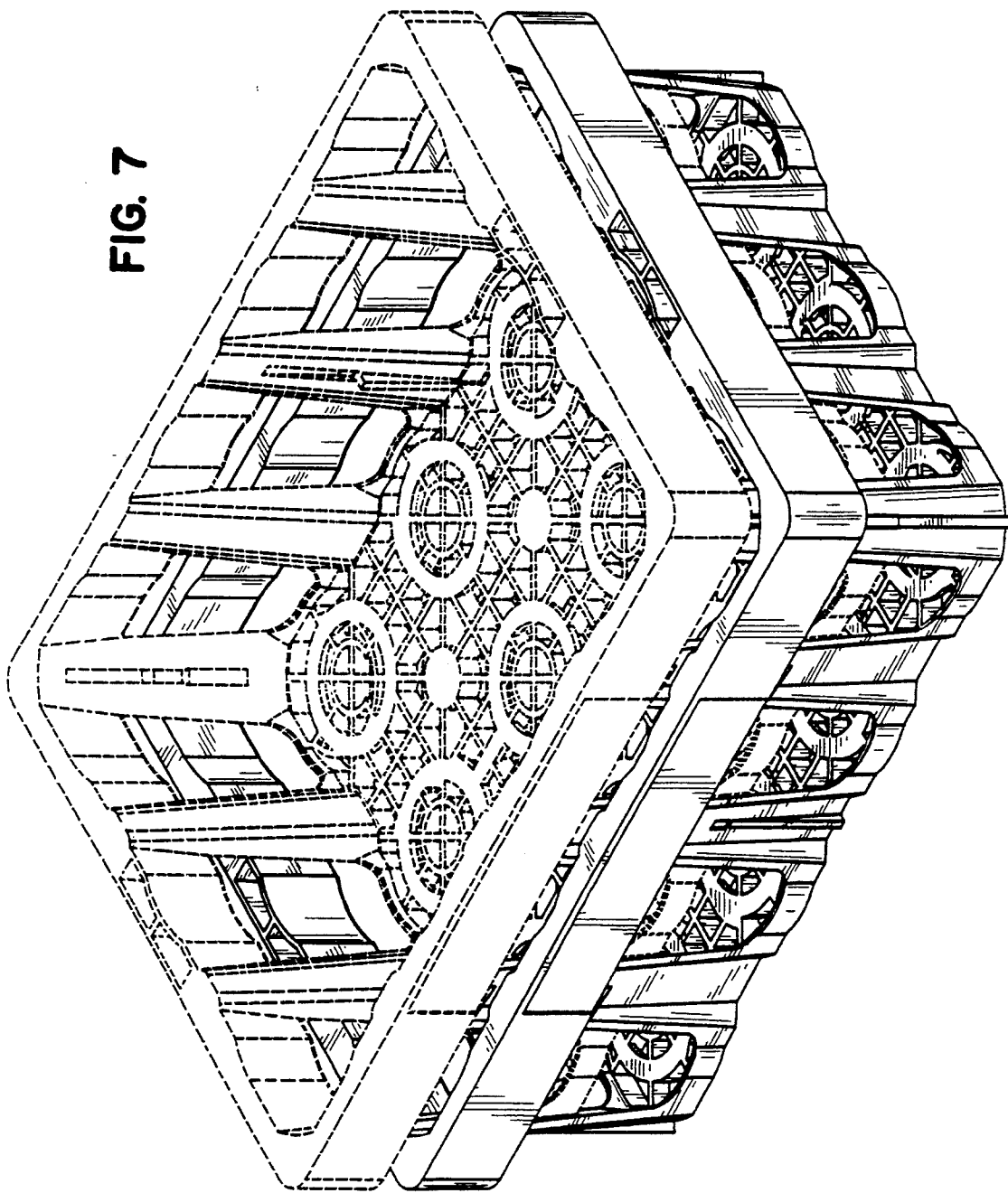


FIG. 6

FIG. 7



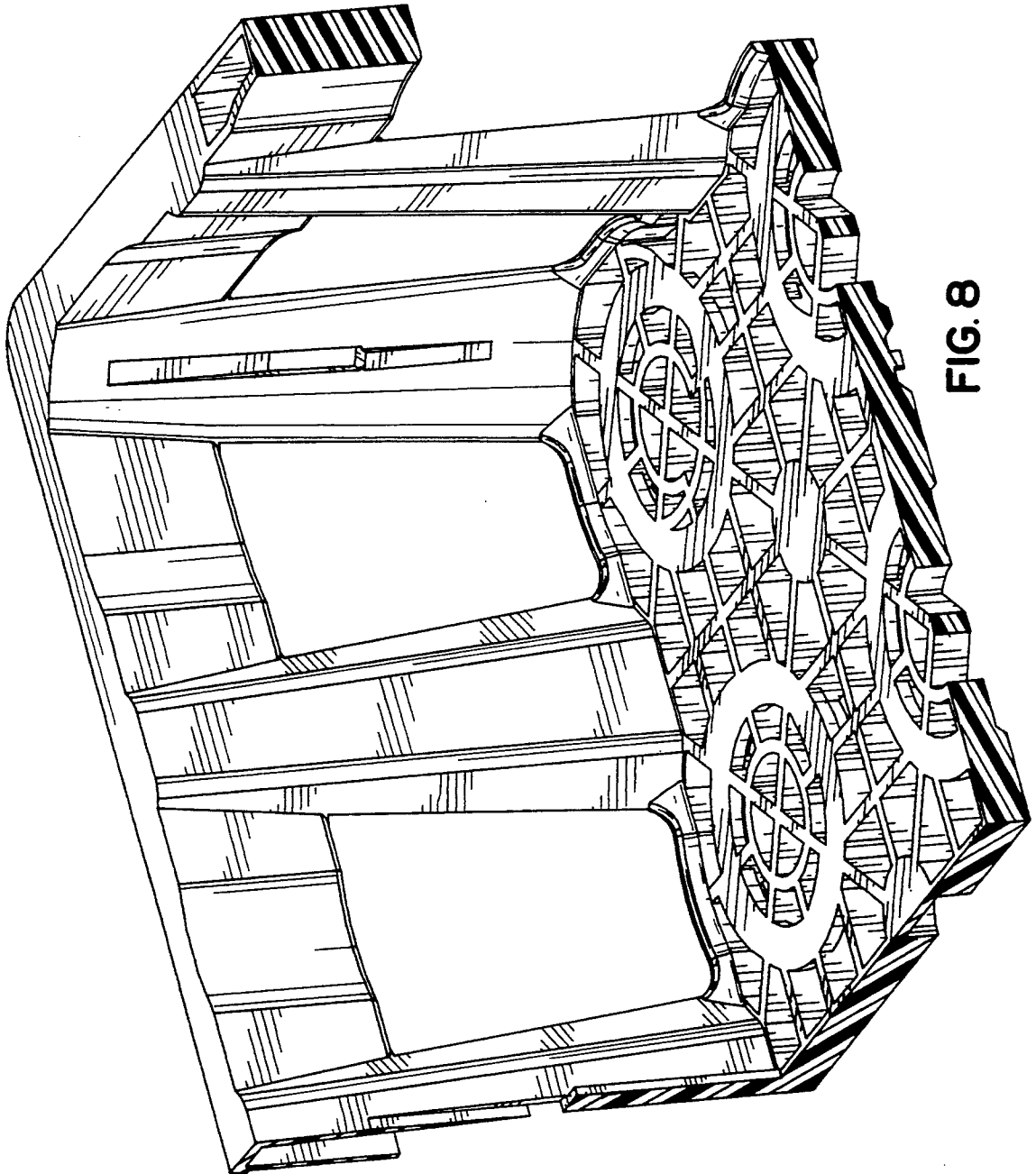


FIG. 8

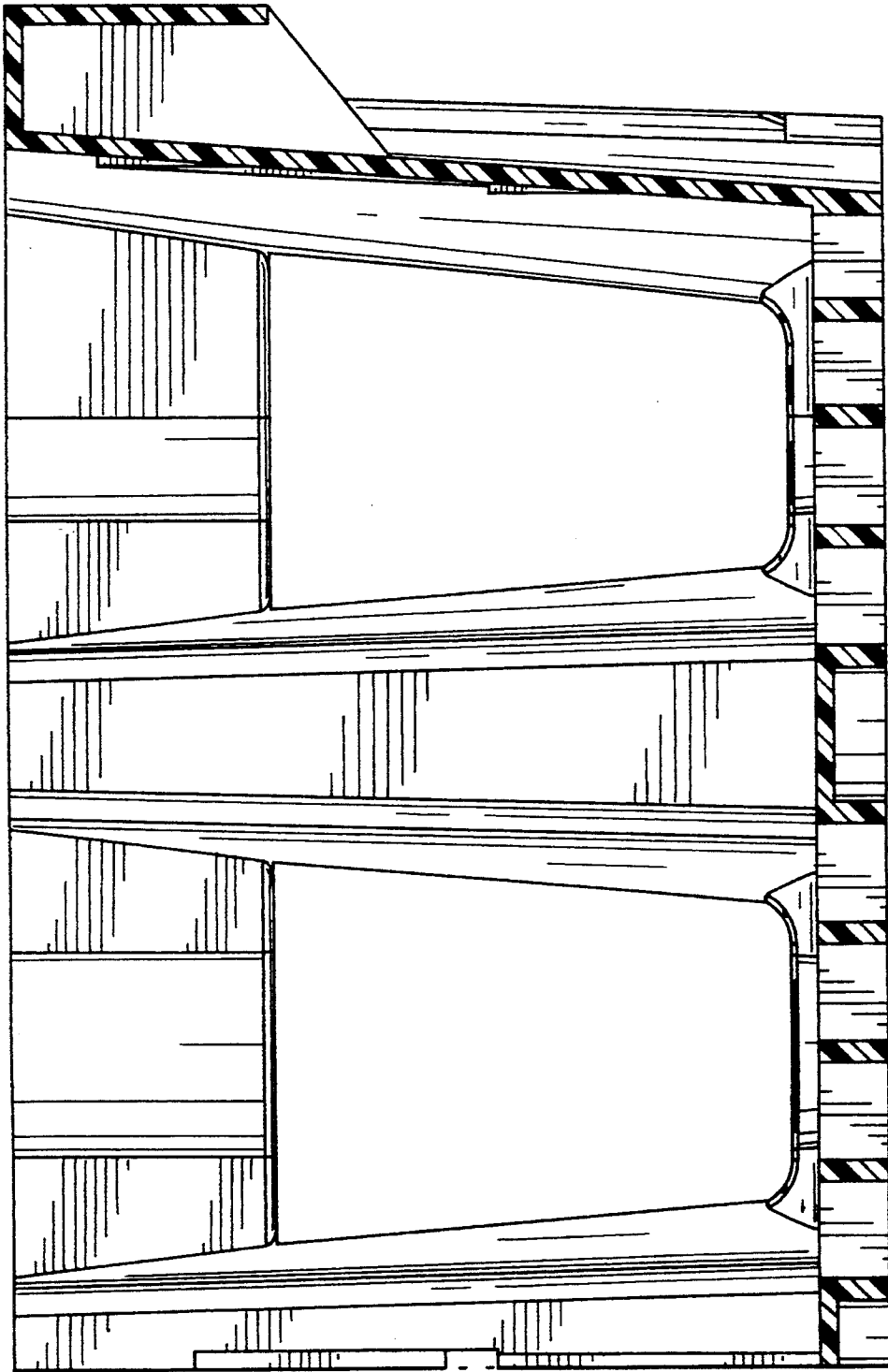


FIG. 9