



US00D414870S

United States Patent [19]
Saltzstein et al.

[11] **Patent Number: Des. 414,870**
[45] **Date of Patent: ** Oct. 5, 1999**

[54] **VITAL SIGNS MONITOR**

4,602,637 7/1986 Elmqvist et al. .
4,603,704 8/1986 Mund et al. .

[75] Inventors: **William E. Saltzstein**, Woodinville, Wash.; **Mohamed Sabri**, Beaverton; **Scott M. Burkhart**, Hillsboro, both of Oreg.; **Gregory T. Semler**, Menlo Park, Calif.

(List continued on next page.)

FOREIGN PATENT DOCUMENTS

[73] Assignee: **Instromedix, Inc.**, Hillsboro, Oreg.

0122888A2 10/1984 European Pat. Off. .
0645710A2 7/1994 European Pat. Off. .
0656718A2 9/1995 European Pat. Off. .
0645710A3 11/1995 European Pat. Off. .
81 19650 4/1983 France .
2845-679 4/1980 Germany .
27 53 165 6/1980 Germany .

[**] Term: **14 Years**

[21] Appl. No.: **29/081,446**

OTHER PUBLICATIONS

[22] Filed: **Jan. 2, 1998**

[51] **LOC (6) Cl.** **24-01**

James E. McKee, Noel E. Evans and Frank J. Owens, *A Simultaneous Full-Duplex Speech and Electrocardiogram Communications System*, Proceedings of the Annual International Conference of the IEEE Engineering in Medicine and Biology Society, Baltimore, Nov. 3-6, 1994, vol. 16, pp. 902-903.

[52] **U.S. Cl.** **D24/186**

[58] **Field of Search** D20/186; 600/391, 600/393, 345, 481, 484, 513, 519, 528, 532, 536, 538, 586, 549

(List continued on next page.)

[56] **References Cited**

U.S. PATENT DOCUMENTS

- D. 238,905 2/1976 Sokol D24/186
- D. 264,128 4/1982 Barnes et al. D24/186
- D. 323,894 2/1992 Rosati et al. D24/186
- D. 392,043 3/1998 Cooper et al. D24/186
- 3,886,314 5/1975 Pori .
- 3,938,507 2/1976 Sarnoff et al. .
- 3,971,980 7/1976 Jungfer et al. .
- 3,972,320 8/1976 Kalman .
- 4,108,166 8/1978 Schmid .
- 4,120,294 10/1978 Wolfe .
- 4,129,125 12/1978 Lester et al. .
- 4,173,971 11/1979 Karz .
- 4,216,462 8/1980 McGrath et al. .
- 4,230,127 10/1980 Larson .
- 4,256,117 3/1981 Perica et al. .
- 4,270,547 6/1981 Steffen et al. 600/484
- 4,347,851 9/1982 Jundanian 600/481
- 4,409,983 10/1983 Albert .
- 4,425,921 1/1984 Fujisaki et al. .
- 4,450,843 5/1984 Barney et al. .
- 4,494,553 1/1985 Sciarra et al. .
- 4,531,527 7/1985 Reinhold, Jr. et al. .

Primary Examiner—Stella Reid

Attorney, Agent, or Firm—Klarquist Sparkman Campbell Leigh & Whinston, LLP

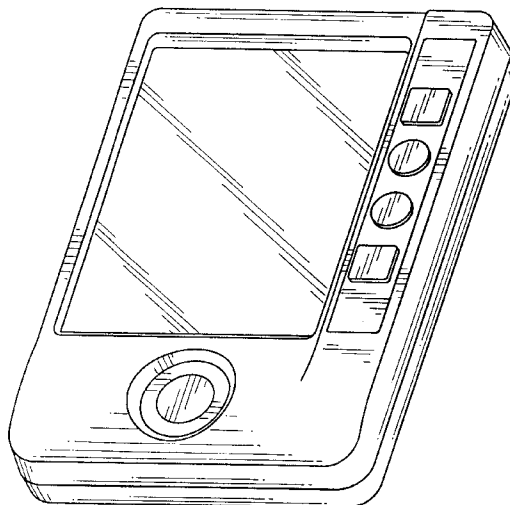
[57] **CLAIM**

The ornamental design for a vital signs monitor, as shown and described.

DESCRIPTION

FIG. 1 is an isometric view showing the front of a vital signs monitor constructed in accordance with the present invention; FIG. 2 is an isometric view showing the rear of the vital signs monitor of FIG. 1; FIG. 3 is a front view of the vital signs monitor of FIG. 1; FIG. 4 is a left side view thereof; FIG. 5 is a right side view thereof; FIG. 6 is a top view thereof; and, FIG. 7 is a bottom view thereof.

1 Claim, 2 Drawing Sheets



U.S. PATENT DOCUMENTS

| | | | |
|-----------|---------|----------------------|---------|
| 4,611,604 | 9/1986 | Botvidsson et al. . | |
| 4,679,000 | 7/1987 | Clark . | |
| 4,715,381 | 12/1987 | Moberg . | |
| 4,724,844 | 2/1988 | Rafelson | 600/483 |
| 4,763,663 | 8/1988 | Uphold et al. | 600/484 |
| 4,784,162 | 11/1988 | Ricks et al. . | |
| 4,791,933 | 12/1988 | Asai et al. . | |
| 4,799,491 | 1/1989 | Eckerle . | |
| 4,802,488 | 2/1989 | Eckerle . | |
| 4,803,625 | 2/1989 | Fu et al. . | |
| 4,838,275 | 6/1989 | Lee . | |
| 4,883,064 | 11/1989 | Olson et al. . | |
| 4,928,690 | 5/1990 | Heilman et al. . | |
| 4,933,873 | 6/1990 | Kaufman et al. . | |
| 4,938,228 | 7/1990 | Righter et al. . | |
| 4,945,477 | 7/1990 | Edwards . | |
| 4,949,046 | 8/1990 | Seyfang . | |
| 4,952,862 | 8/1990 | Biagetti et al. . | |
| 4,958,641 | 9/1990 | Digby et al. . | |
| 4,967,756 | 11/1990 | Hewitt . | |
| 4,974,607 | 12/1990 | Miwa . | |
| 4,979,235 | 12/1990 | Rumbaugh et al. . | |
| 4,981,139 | 1/1991 | Pfohl | 600/484 |
| 5,001,484 | 3/1991 | Weiss . | |
| 5,007,429 | 4/1991 | Treatch et al. . | |
| 5,010,890 | 4/1991 | Pfohl et al. | 600/528 |
| 5,012,814 | 5/1991 | Mills et al. . | |
| 5,024,225 | 6/1991 | Fang . | |
| 5,025,794 | 6/1991 | Albert et al. . | |
| 5,033,474 | 7/1991 | Varelis et al. . | |
| 5,036,513 | 7/1991 | Greenblatt . | |
| 5,038,800 | 8/1991 | Oba . | |
| 5,128,552 | 7/1992 | Fang et al. . | |
| 5,142,484 | 8/1992 | Kaufman et al. . | |
| 5,154,183 | 10/1992 | Kreyenhagen et al. . | |
| 5,185,861 | 2/1993 | Valencia . | |
| 5,191,891 | 3/1993 | Righter . | |
| 5,216,596 | 6/1993 | Weinstein . | |
| 5,226,431 | 7/1993 | Bible et al. . | |
| 5,317,269 | 5/1994 | Mills et al. . | |
| 5,321,618 | 6/1994 | Gessman . | |
| 5,333,616 | 8/1994 | Mills et al. . | |
| 5,339,823 | 8/1994 | Reinhold, Jr. . | |
| 5,343,869 | 9/1994 | Pross et al. . | |
| 5,351,695 | 10/1994 | Mills et al. . | |
| 5,357,427 | 10/1994 | Langen et al. . | |
| 5,365,935 | 11/1994 | Righter et al. . | |
| 5,381,798 | 1/1995 | Burrows . | |
| 5,390,238 | 2/1995 | Kirk et al. . | |
| 5,394,882 | 3/1995 | Mawhinney . | |
| 5,462,051 | 10/1995 | Oka et al. . | |
| 5,467,773 | 11/1995 | Bergelson et al. . | |
| 5,474,090 | 12/1995 | Begun et al. . | |
| 5,544,661 | 8/1996 | Davis et al. . | |
| 5,553,609 | 9/1996 | Chen et al. . | |
| 5,557,800 | 9/1996 | Kasimov et al. . | |
| 5,607,454 | 3/1997 | Cameron et al. . | |
| 5,613,495 | 3/1997 | Mills et al. . | |
| 5,704,364 | 1/1998 | Saltzstein et al. . | |

OTHER PUBLICATIONS

William Stallings, *Data and Computer Communications*, 2d. Ed., pp. 103–113, MacMillan Publishing Co., 1988.

Bernard L. Segal et al., Telephone Phonocardiograph, *The American Journal of Medical Electronics*, pp. 189–191, Jul.–Sep., 1964.

Fisher, Anne B., *House Calls*, Inc., pp. 72–79, Jul. 1989.

Comparison of Duplex and Triplex Memory Reliability, pp. 503,507, IEEE Transactions on Computers, vol. 45. No. 4., Apr. 1996.

Symposium on the Engineering of Computer–Based Medical Systems, pp. 22–27, Jun. 8–10, 1998.

Kathy Brock, Inventors of Heart Monitor Tick Toward Prosperity, *The Business Journal*, p. 15, Sep. 17, 1990.

English language abstract of published European Patent Application No. 745,710A2, Derwent Info. Ltd.

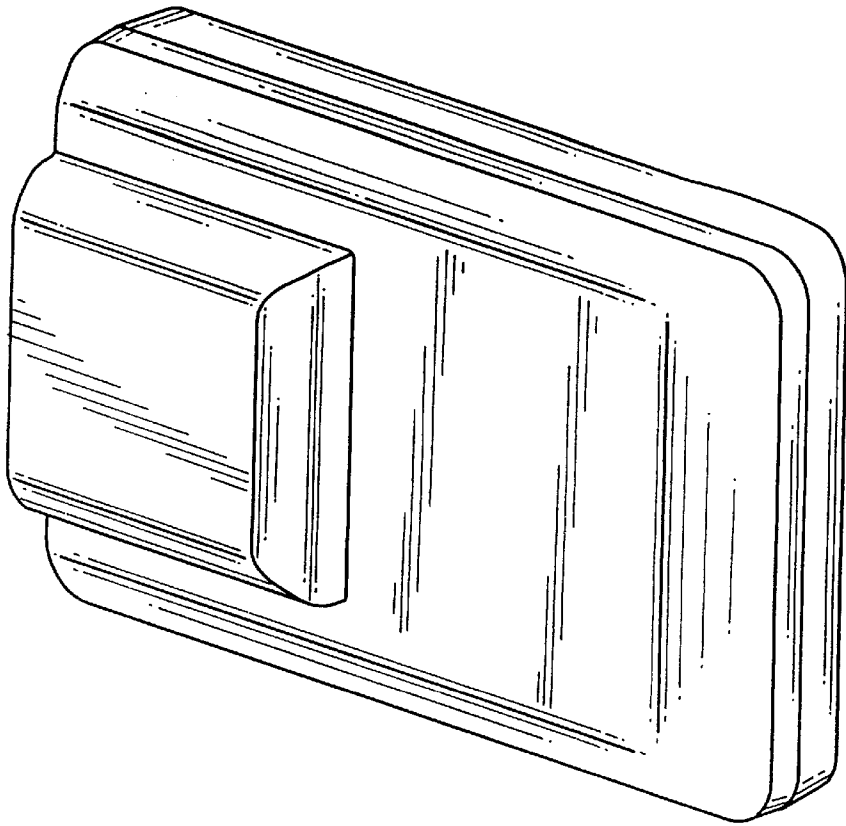


FIG. 2

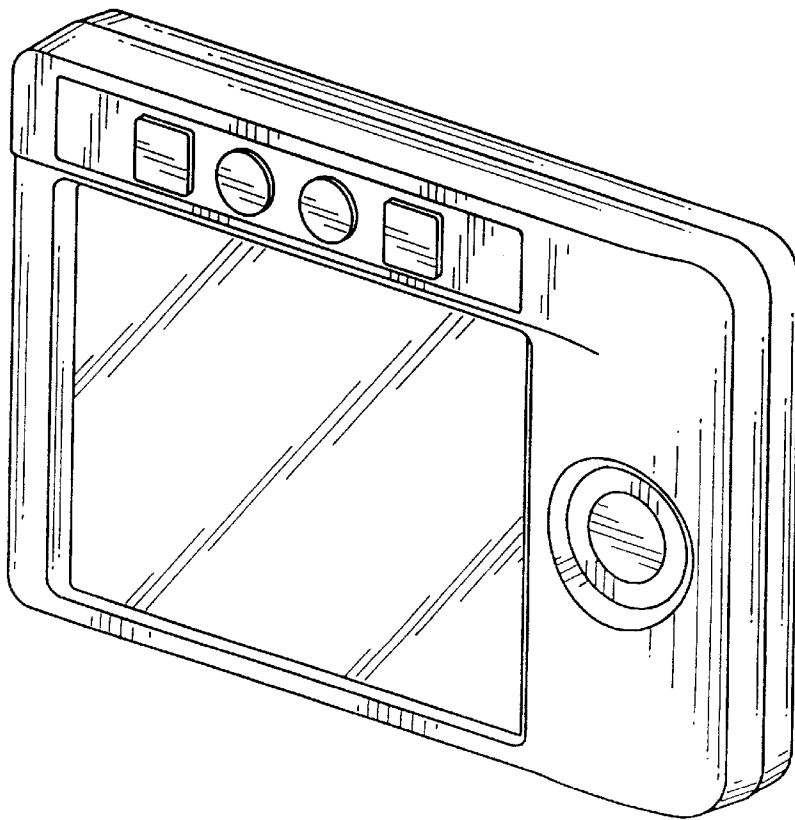


FIG. 1

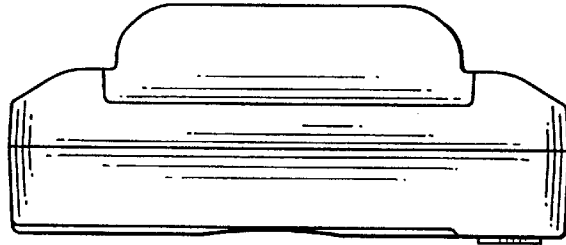


FIG. 6

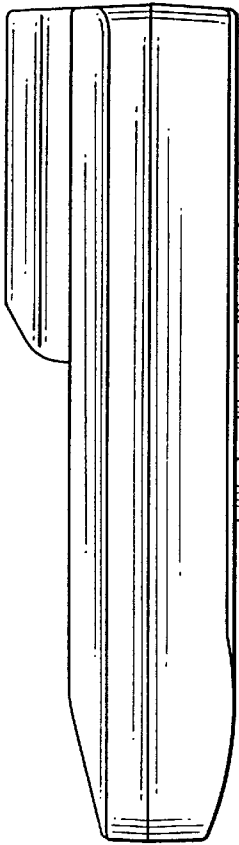


FIG. 4

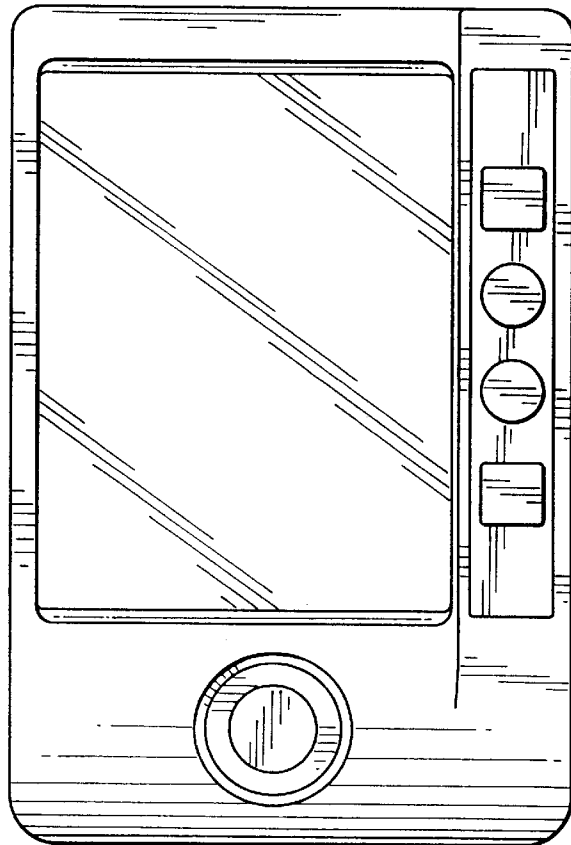


FIG. 3

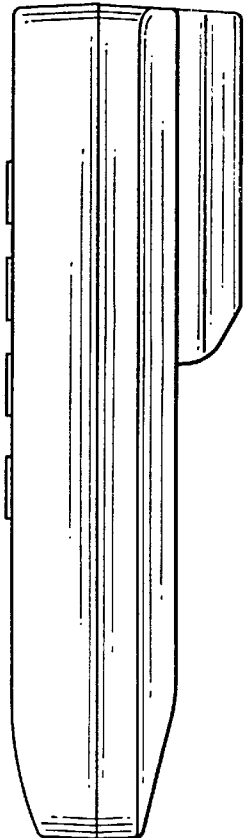


FIG. 5

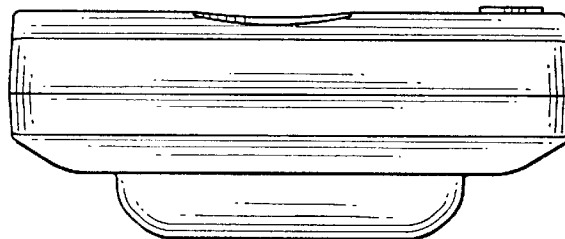


FIG. 7