



US00D923102S

(12) **United States Design Patent**
McGahn et al.

(10) **Patent No.:** **US D923,102 S**

(45) **Date of Patent:** **** Jun. 22, 2021**

(54) **GAMING MACHINE**

(71) Applicant: **IGT**, Las Vegas, NV (US)
(72) Inventors: **Steven McGahn**, Reno, NV (US);
Stewart Thoeni, Reno, NV (US);
Charles Johnson, Reno, NV (US);
Jacob Wik, Reno, NV (US); **Jack H. Brooks**, Reno, NV (US)

(73) Assignee: **IGT**, Las Vegas, NV (US)

(**) Term: **15 Years**

(21) Appl. No.: **29/708,965**

(22) Filed: **Oct. 10, 2019**

(51) **LOC (13) Cl.** **21-03**

(52) **U.S. Cl.**
USPC **D21/370**

(58) **Field of Classification Search**
USPC D21/329, 332, 333, 365, 385, 694, 371,
D21/325, 324, 336, 369; D6/300, 301,
D6/302, 308, 332, 650, 650.1, 668, 670,
D6/691.3, 703.1, 705.1
CPC A63F 59/04
See application file for complete search history.

(56) **References Cited**

U.S. PATENT DOCUMENTS

D254,249 S	2/1980	Biehl	
D405,963 S *	2/1999	Arbak	D6/300
D604,368 S	11/2009	Lesley et al.	
D622,780 S	8/2010	Lesley et al.	
D622,781 S	8/2010	Lesley et al.	
D646,336 S	10/2011	Kelly et al.	
D646,337 S	10/2011	Kelly et al.	
8,033,902 B2	10/2011	Wells et al.	
D685,033 S *	6/2013	Wudtke	D21/370

(Continued)

OTHER PUBLICATIONS

“Buffalo Casino Game”, Aristocrat; image available before Oct. 10, 2019 (1 page).

(Continued)

Primary Examiner — Khawaja Anwar
Assistant Examiner — Julice Seung Eun Oum
(74) *Attorney, Agent, or Firm* — Neal, Gerber & Eisenberg LLP

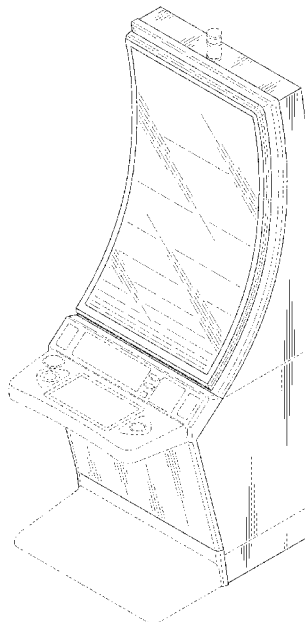
(57) **CLAIM**

The ornamental design for a gaming machine, as shown and described.

DESCRIPTION

FIG. 1 is a front perspective view of a gaming machine of one embodiment of our new design.
FIG. 2 is a front view of the gaming machine of FIG. 1.
FIG. 3 is a rear view of the gaming machine of FIG. 1.
FIG. 4 is a right side view of the gaming machine of FIG. 1.
FIG. 5 is a left side view of the gaming machine of FIG. 1.
FIG. 6 is a top view of the gaming machine of FIG. 1.
FIG. 7 is a bottom view of the gaming machine of FIG. 1.
FIG. 8 is a front perspective view of a gaming machine of another embodiment of our new design.
FIG. 9 is a front view of the gaming machine of FIG. 8.
FIG. 10 is a rear view of the gaming machine of FIG. 8.
FIG. 11 is a right side view of the gaming machine of FIG. 8.
FIG. 12 is a left side view of the gaming machine of FIG. 8.
FIG. 13 is a top view of the gaming machine of FIG. 8; and, FIG. 14 is a bottom view of the gaming machine of FIG. 8.
The broken lines shown on the gaming machine represent environment and form no part of the claimed design.

1 Claim, 14 Drawing Sheets



(56)

References Cited

U.S. PATENT DOCUMENTS

D706,741 S *	6/2014	Myers	D14/172	D880,609 S	4/2020	Bernard et al.	
8,974,297 B2	3/2015	Massing et al.			D882,698 S *	4/2020	Lesley D21/369
D743,705 S *	11/2015	Cisler, II	D6/310	D890,264 S *	7/2020	Johnson D21/369
RE46,169 E *	10/2016	Kelly	G07F 17/3211	D890,850 S *	7/2020	Johnson D21/369
				D21/370	D890,851 S *	7/2020	Johnson D21/369
D812,147 S	3/2018	Castro et al.			D892,220 S *	8/2020	Park D21/369
D812,148 S	3/2018	Castro et al.			D894,285 S *	8/2020	Glenn D21/369
D812,149 S	3/2018	Castro et al.			D895,019 S *	9/2020	Lesley D21/369
9,972,166 B2	5/2018	Vann et al.			D905,172 S *	12/2020	Zedell, Jr. D21/369
D819,747 S	6/2018	Castro et al.			D907,125 S *	1/2021	DeMarco D21/369
D820,915 S *	6/2018	Lee	D21/369	2018/0075689 A1	3/2018	Castro et al.	
D842,930 S	3/2019	Johnson et al.			2018/0078854 A1	3/2018	Achmueller et al.	
D843,460 S *	3/2019	Castro	D21/369	2018/0081391 A1	3/2018	Mittler et al.	
D843,473 S *	3/2019	Zedell, Jr.	D21/369	2018/0089960 A1	3/2018	Caputo et al.	
D843,475 S *	3/2019	Lesley	D21/369	2018/0197378 A1	7/2018	Salmon et al.	
10,363,480 B2	7/2019	Hennessy et al.			2020/0111295 A1 *	4/2020	Glenn G02B 5/021
D872,188 S	1/2020	Bernard et al.						
D872,189 S	1/2020	Bernard et al.						
D872,190 S *	1/2020	Zedell, Jr.	D21/369				
D873,921 S	1/2020	Bernard et al.						

OTHER PUBLICATIONS

"Crystal Curve", IGT, available prior to Oct. 10, 2019 (1 page).

"Crystal Slant", IGT, available prior to Oct. 10, 2019 (1 page).

* cited by examiner

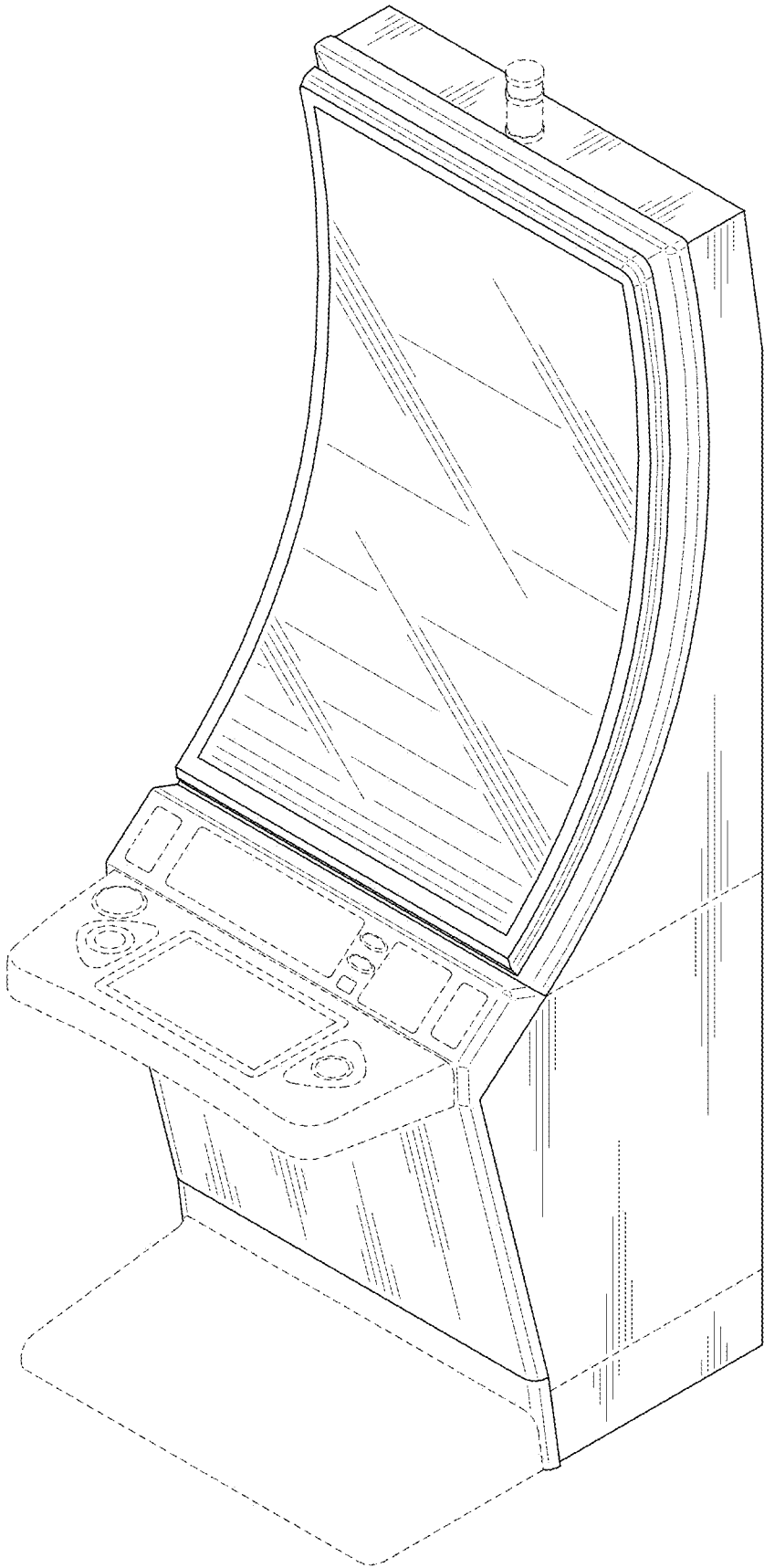


FIG. 1

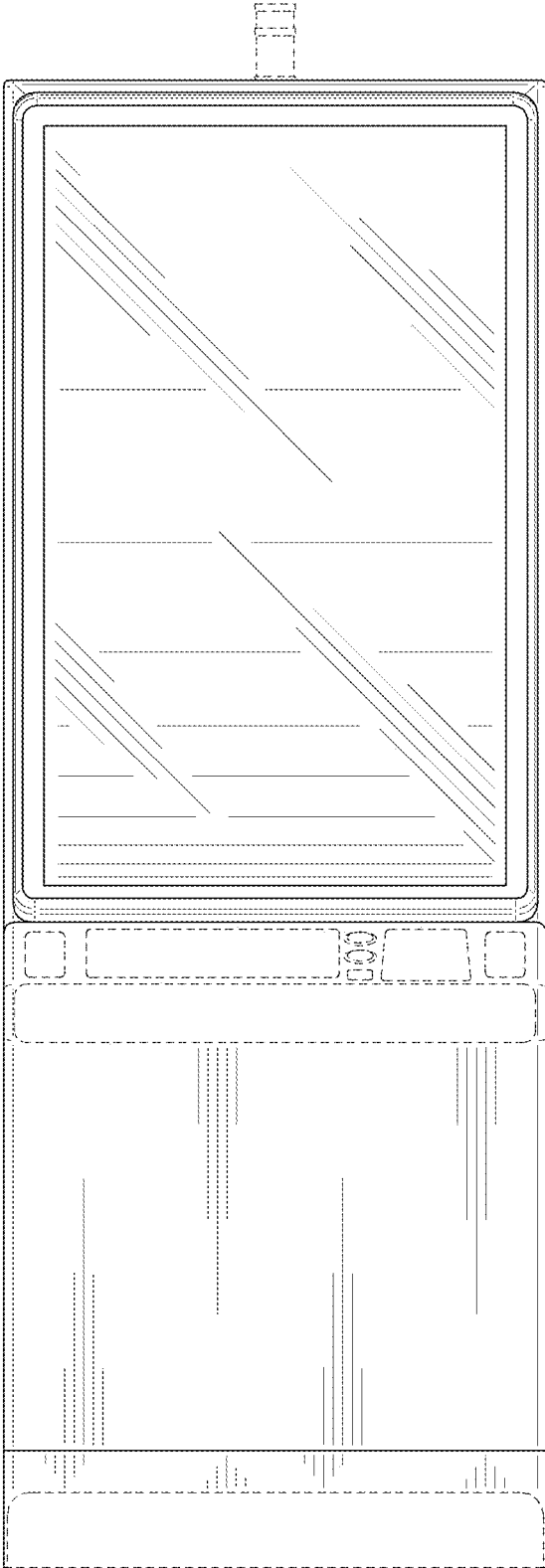


FIG. 2

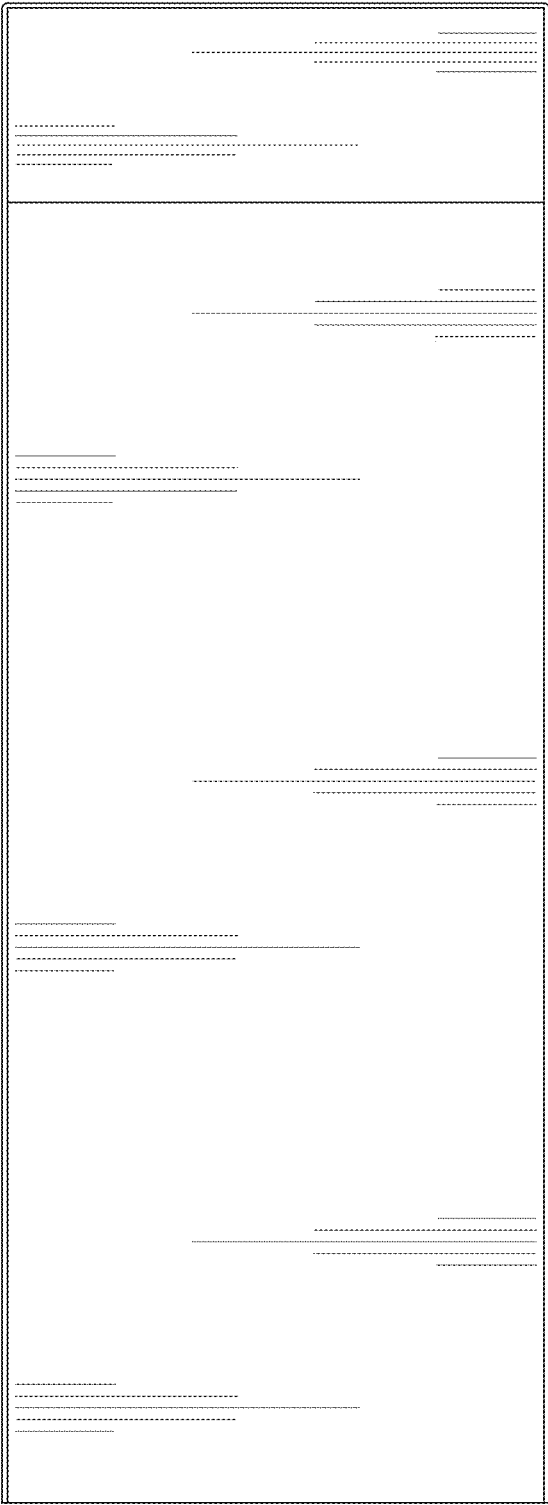


FIG. 3

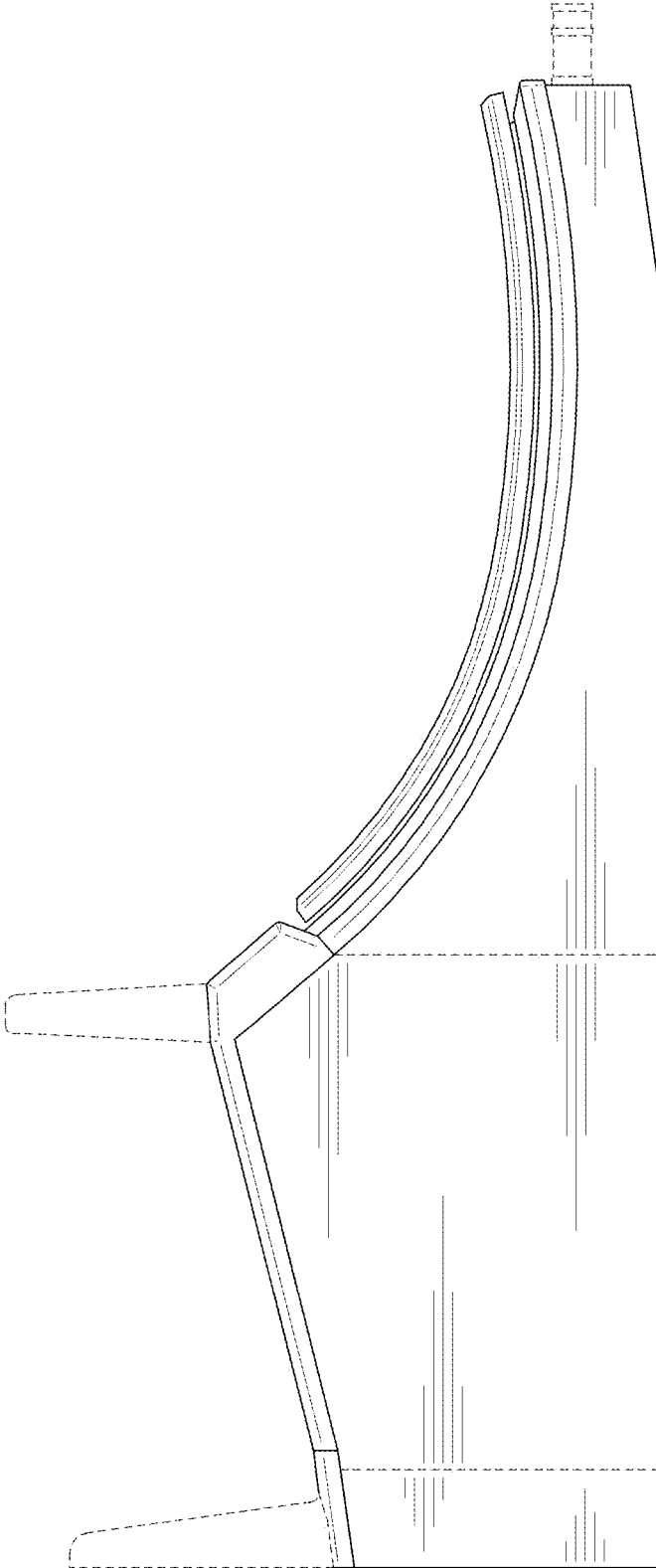


FIG. 4

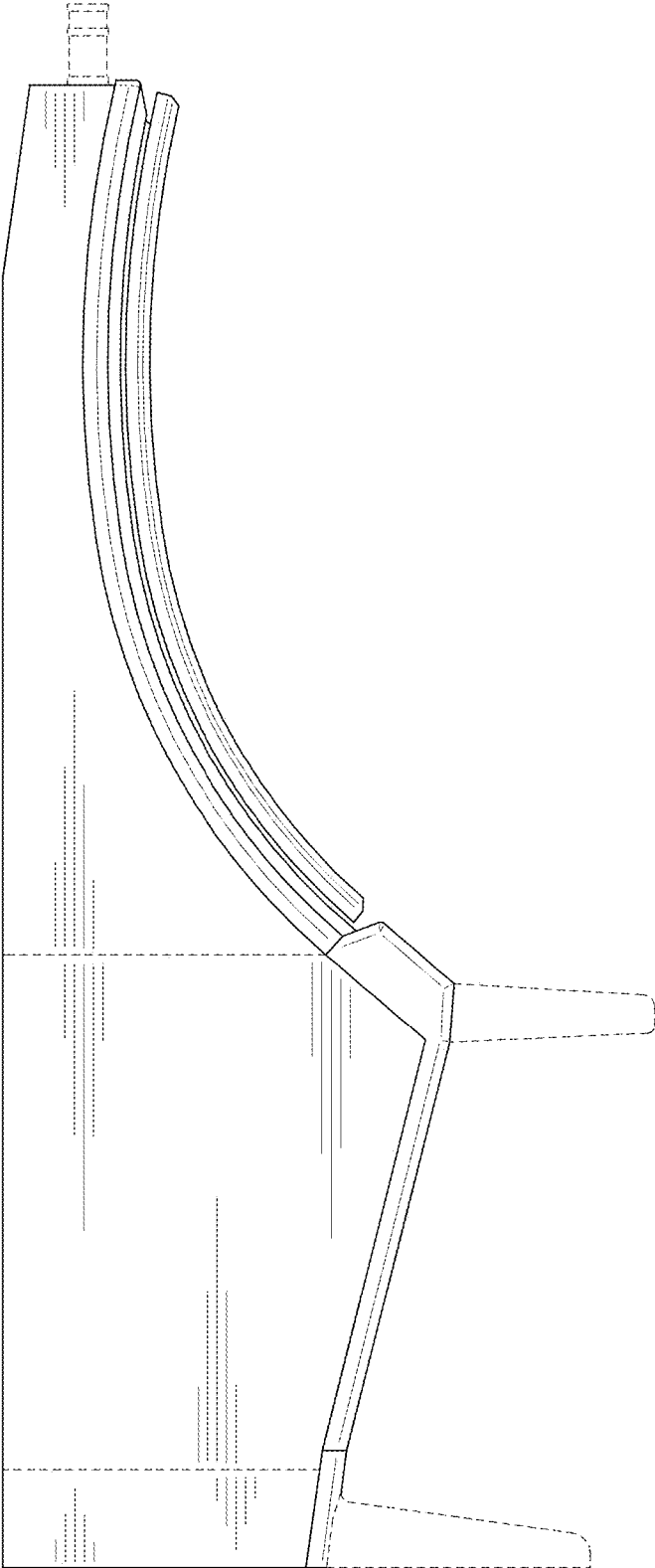


FIG. 5

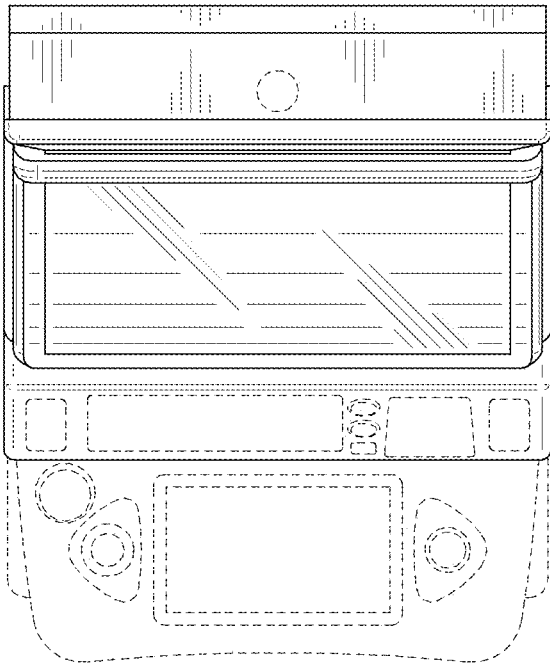


FIG. 6

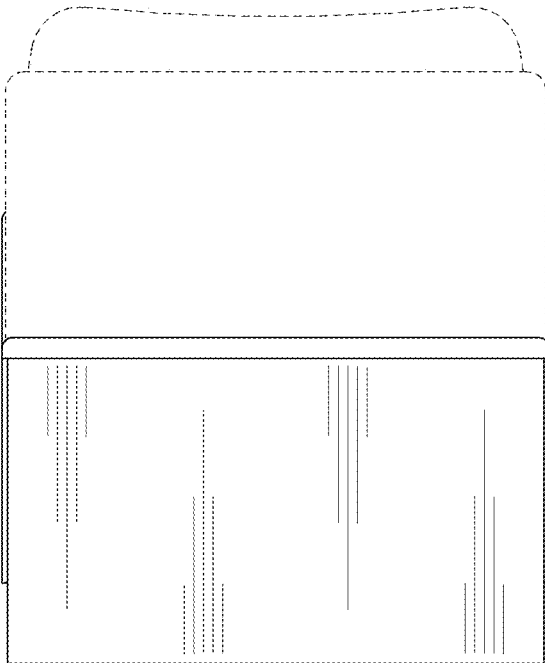


FIG. 7

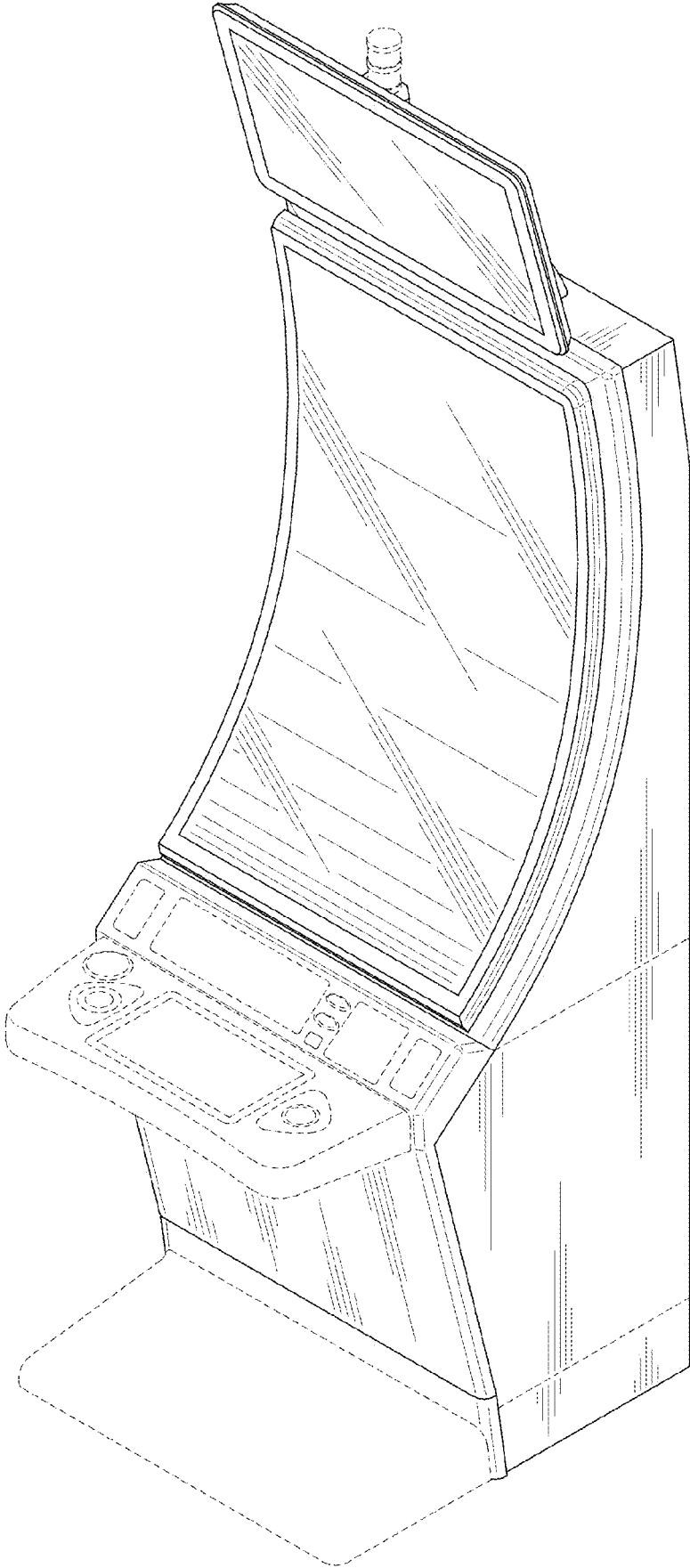


FIG. 8

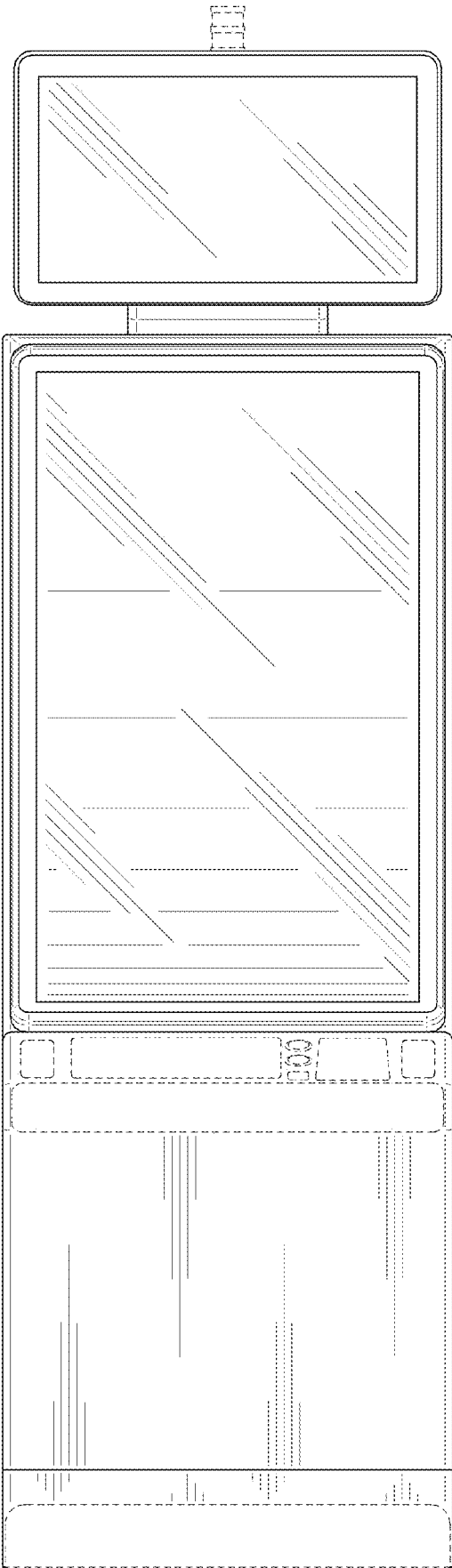


FIG. 9

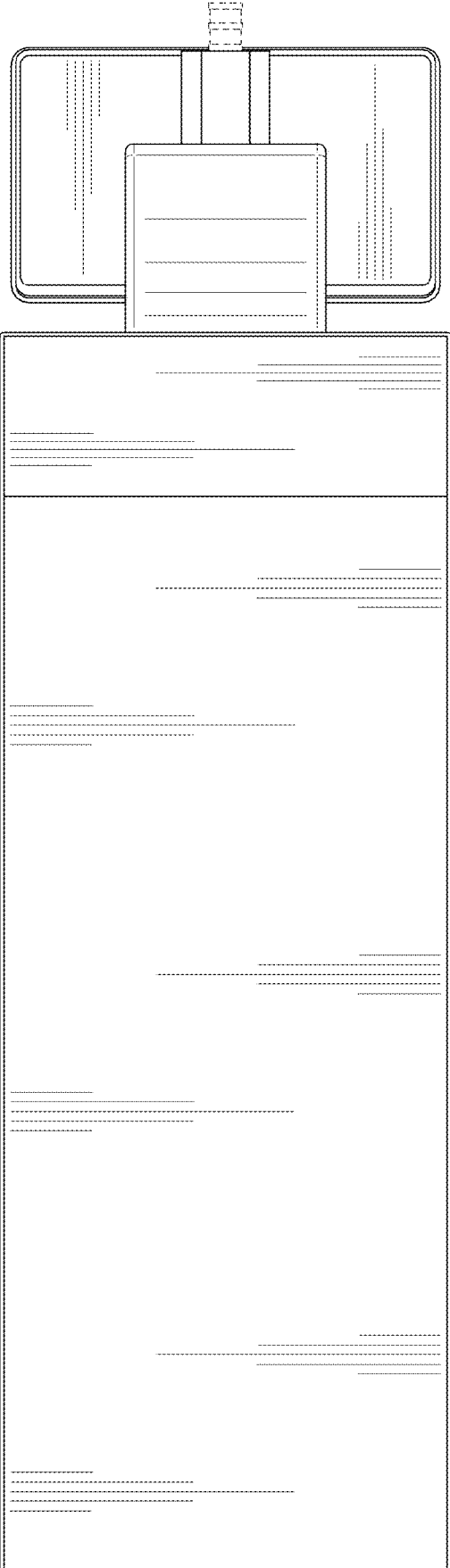


FIG. 10

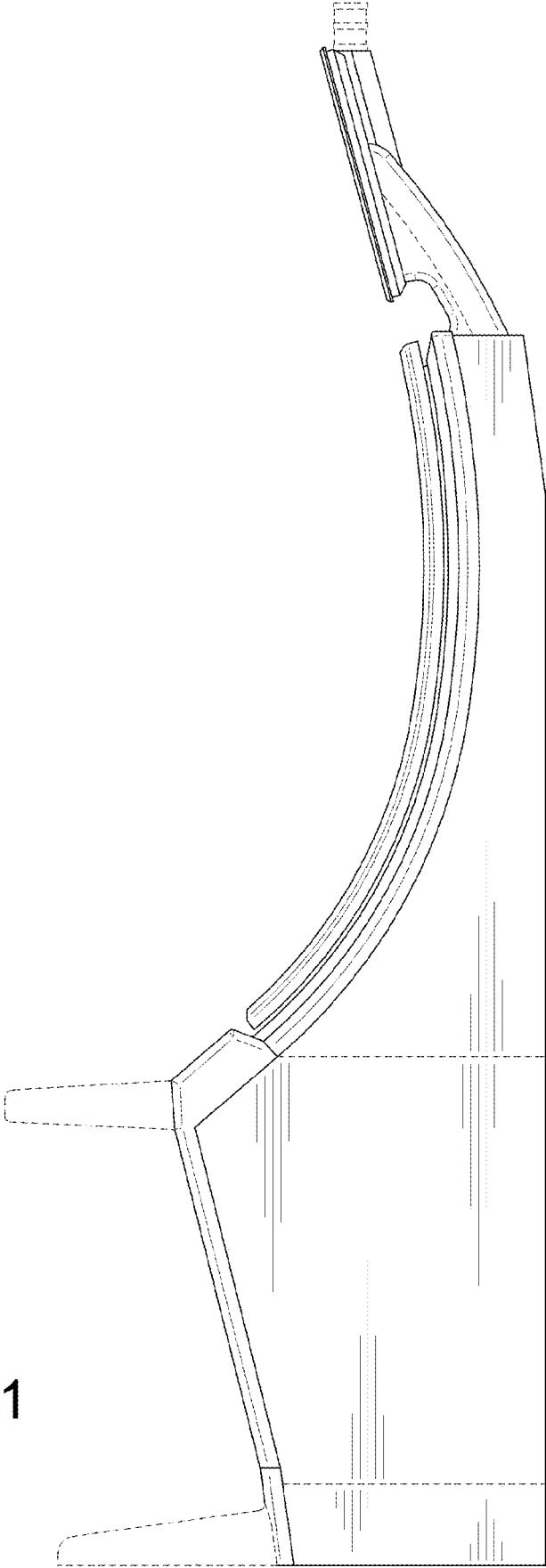


FIG. 11

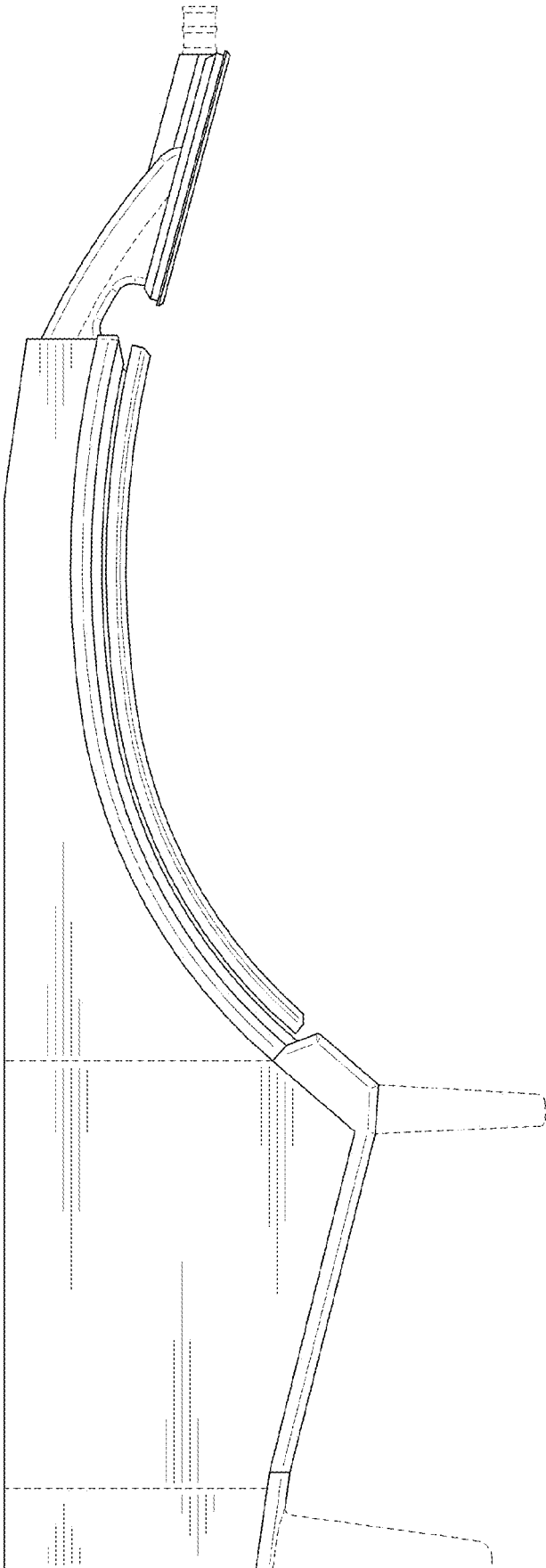


FIG. 12

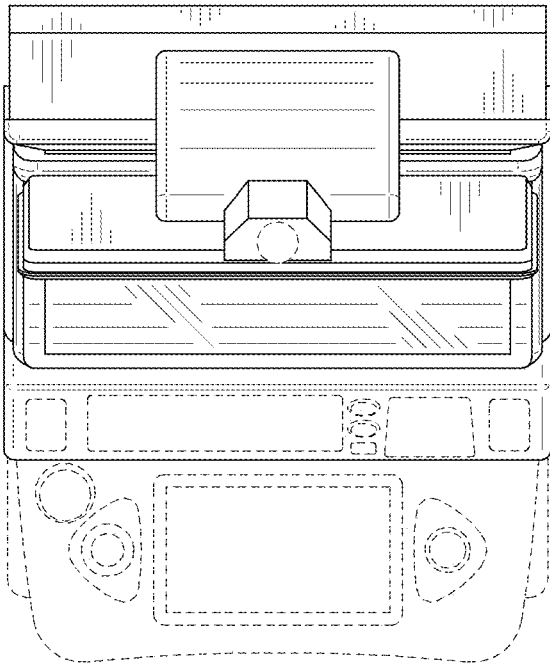


FIG. 13

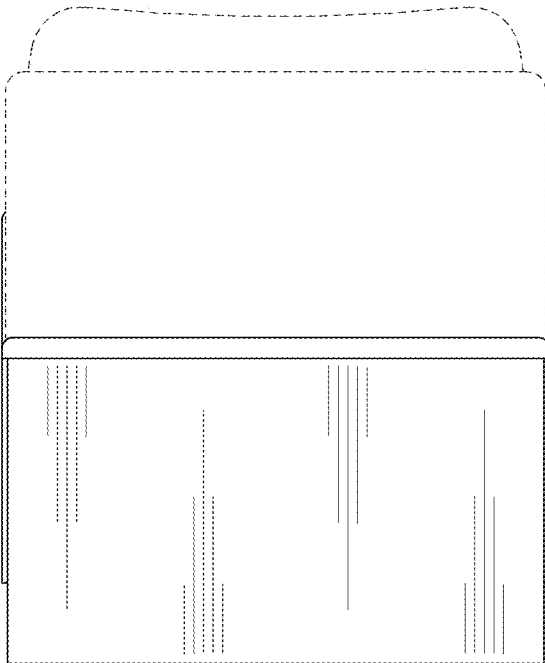


FIG. 14