



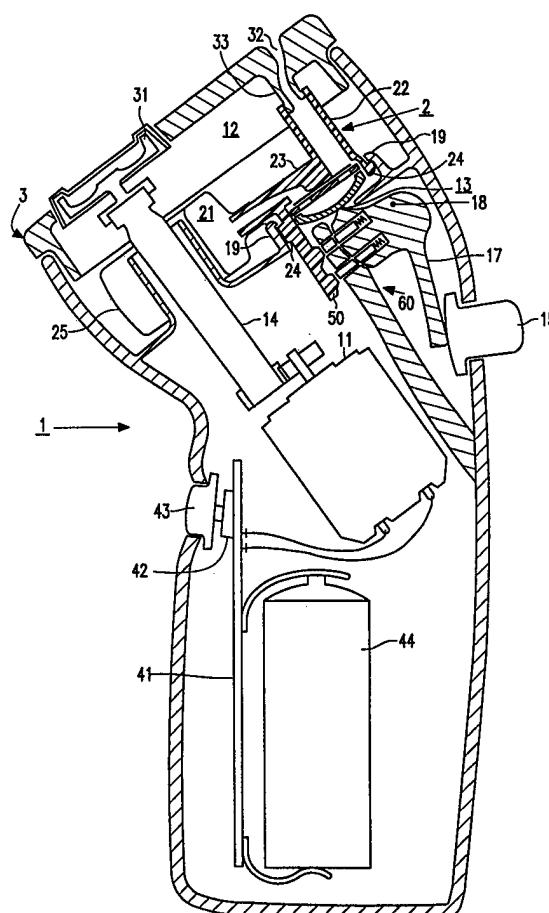
INTERNATIONAL APPLICATION PUBLISHED UNDER THE PATENT COOPERATION TREATY (PCT)

<p>(51) International Patent Classification ⁶ : B26B 21/44, 19/38</p>	<p>A1</p>	<p>(11) International Publication Number: WO 98/55274</p> <p>(43) International Publication Date: 10 December 1998 (10.12.98)</p>
<p>(21) International Application Number: PCT/IB98/00545</p> <p>(22) International Filing Date: 9 April 1998 (09.04.98)</p> <p>(30) Priority Data: 97201704.0 5 June 1997 (05.06.97) EP (34) Countries for which the regional or international application was filed: NL et al.</p> <p>(71) Applicant: KONINKLIJKE PHILIPS ELECTRONICS N.V. [NL/NL]; Groenewoudseweg 1, NL-5621 BA Eindhoven (NL).</p> <p>(71) Applicant (for SE only): PHILIPS AB [SE/SE]; Kottbygatan 7, Kista, S-164 85 Stockholm (SE).</p> <p>(72) Inventors: WESTERHOF, Willem, Auke; Prof. Holstlaan 6, NL-5656 AA Eindhoven (NL). HEERINGA, Schelte; Prof. Holstlaan 6, NL-5656 AA Eindhoven (NL).</p> <p>(74) Agent: CUPPENS, Hubertus, M., M.; Internationaal Octrooibureau B.V., P.O. Box 220, NL-5600 AE Eindhoven (NL).</p>		<p>(81) Designated States: JP, European patent (AT, BE, CH, CY, DE, DK, ES, FI, FR, GB, GR, IE, IT, LU, MC, NL, PT, SE).</p> <p>Published <i>With international search report.</i></p>

(54) Title: SYSTEM, APPLIANCE AND CARTRIDGE FOR PERSONAL BODY CARE

(57) Abstract

The system comprises, for example, an electric shaver (1) and a cartridge (2) mounted in a chamber (12) of the shaver (1). The shaver (1) comprises a shaving head (3) having drivable cutters (31) and an electric motor (11) for driving the cutters (31) via a coupling pin (14). The cartridge (2) comprises a reservoir (25) for holding an auxiliary fluid. This auxiliary fluid may, for example, serve to reduce the friction between the shaving head (3) and the skin of a user. The cartridge (2) has an outlet channel (22) and a diaphragm pump (23) for feeding the auxiliary fluid from the reservoir (21) to the outlet channel (22). For the actuation of the diaphragm pump (23) the shaver (1) comprises a button (15) and a lever (17) which is pivotable about a pivot (18). When the button (15) is pressed the diaphragm pump (23) is actuated and a small amount of the auxiliary fluid is applied to the skin of a user via an outlet opening (32). The cartridge (2) has a key (50) which cooperates with a blocking device (60), which is adapted to block the lever (17) by means of pins. The key (50) has projections for positioning the pins of the blocking device (60). In the absence of the correct key the lever (17) is blocked and thus prevents the auxiliary fluid in the cartridge from being pumped to the outlet opening (32).



FOR THE PURPOSES OF INFORMATION ONLY

Codes used to identify States party to the PCT on the front pages of pamphlets publishing international applications under the PCT.

AL	Albania	ES	Spain	LS	Lesotho	SI	Slovenia
AM	Armenia	FI	Finland	LT	Lithuania	SK	Slovakia
AT	Austria	FR	France	LU	Luxembourg	SN	Senegal
AU	Australia	GA	Gabon	LV	Latvia	SZ	Swaziland
AZ	Azerbaijan	GB	United Kingdom	MC	Monaco	TD	Chad
BA	Bosnia and Herzegovina	GE	Georgia	MD	Republic of Moldova	TG	Togo
BB	Barbados	GH	Ghana	MG	Madagascar	TJ	Tajikistan
BE	Belgium	GN	Guinea	MK	The former Yugoslav Republic of Macedonia	TM	Turkmenistan
BF	Burkina Faso	GR	Greece			TR	Turkey
BG	Bulgaria	HU	Hungary	ML	Mali	TT	Trinidad and Tobago
BJ	Benin	IE	Ireland	MN	Mongolia	UA	Ukraine
BR	Brazil	IL	Israel	MR	Mauritania	UG	Uganda
BY	Belarus	IS	Iceland	MW	Malawi	US	United States of America
CA	Canada	IT	Italy	MX	Mexico	UZ	Uzbekistan
CF	Central African Republic	JP	Japan	NE	Niger	VN	Viet Nam
CG	Congo	KE	Kenya	NL	Netherlands	YU	Yugoslavia
CH	Switzerland	KG	Kyrgyzstan	NO	Norway	ZW	Zimbabwe
CI	Côte d'Ivoire	KP	Democratic People's Republic of Korea	NZ	New Zealand		
CM	Cameroon			PL	Poland		
CN	China	KR	Republic of Korea	PT	Portugal		
CU	Cuba	KZ	Kazakstan	RO	Romania		
CZ	Czech Republic	LC	Saint Lucia	RU	Russian Federation		
DE	Germany	LI	Liechtenstein	SD	Sudan		
DK	Denmark	LK	Sri Lanka	SE	Sweden		
EE	Estonia	LR	Liberia	SG	Singapore		

System, appliance and cartridge for personal body care.

The invention relates to a system suitable for personal body care, comprising a cartridge having a space for storing an auxiliary fluid, and an appliance comprising

- a treatment device for carrying out a treatment on the body of a user with
5 the aid of the auxiliary fluid, and

- an interface for coupling the cartridge to the appliance.

The invention also relates to an appliance for body care, comprising

- a treatment device for carrying out a treatment on the body of a user, and
- an interface for coupling a cartridge to the appliance, which cartridge has
10 a space for storing an auxiliary fluid.

The invention also relates to a cartridge comprising

- a space for the storage of an auxiliary fluid intended for personal body
care in conjunction with a body-care treatment,
- an interface for coupling the cartridge to an appliance adapted to carry out
15 said treatment.

The invention also relates to a pump and a flange for use in the cartridge in accordance with the invention.

Such a system, such an appliance and such a cartridge are known from US-A-5,402,697. The known system comprises an electric shaver and a cartridge filled with
20 a depilatory substance. The shaver has a shaving head, a drive unit and a chamber for mounting the cartridge. Viewed from the shaving head the chamber is located adjacent the drive unit and, at the shaver side remote from the shaving head, it has a cover to enable the cartridge to be placed into the chamber. At the shaving head side the chamber communicates with a passage which terminates in the outer surface of the shaving head. The cartridge has
25 an actuating button to apply the depilatory substance. The cover has an opening through which a user has access to the button in the closed position of the cover once the cartridge has been placed into the shaver. A drawback of the known system is that the shaver can be used in conjunction with a cartridge containing a fluid which has not been tested in combination with the shaver.

It is an object of the invention to provide a system, an appliance and a cartridge of the types defined in the opening paragraphs, which preclude undesired results owing to the use of an unsuitable auxiliary fluid.

To this end the system in accordance with the invention is characterized in

5 that

- the appliance includes a blocking device adapted to block at least one function of the appliance,
 - the cartridge has a key for cooperation with the blocking device, and
 - the blocking device is adapted to unblock said function when the cartridge
- 10 is mounted.

The appliance in accordance with the invention is suitable for use in the system in accordance with the invention and to this end it is characterized in that

- the appliance includes a blocking device adapted to block at least one function of the appliance, and
- 15 - the blocking device is adapted to unblock said function when a cartridge having a key is coupled to the appliance.

The cartridge in accordance with the invention is suitable for use in the system in accordance with the invention and to this end it is characterized in that

- the cartridge has a key for unblocking a function of the appliance when
- 20 the cartridge is coupled to the appliance.

The invention is based on the recognition of the fact that the use of an auxiliary fluid in conjunction with an appliance which performs a body-care treatment on the body of a user imposes special requirements on the auxiliary fluid. It is not sufficient that the auxiliary fluid as such is suitable for application to the body. It appears that the effect on the

25 body can change under the influence of the treatment. In addition, the auxiliary fluid should be easy to remove from the appliance and the auxiliary fluid should not affect the appliance. The measures in accordance with the invention inhibit a function which could give an undesired result when a cartridge without the correct key is present. Protection against undesired results is achieved in that cartridges having the correct key are filled exclusively

30 with fluids that have been tested in conjunction with the appliance.

An embodiment of the appliance in accordance with the invention is characterized as defined in the characterizing part of Claim 3. Thus, application of an unsuitable auxiliary fluid is precluded.

An embodiment of the appliance in accordance with the invention is

characterized as defined in the characterizing part of Claim 4. This embodiment is particularly interesting if the treatment is possible both "dry", i.e. without an auxiliary fluid, and "wet", i.e. with an auxiliary fluid. In such a case said measure precludes the application of an unfit auxiliary fluid, for example, in that the pump is blocked while allowing the
5 appliance to be used in the "dry" mode.

An embodiment of the appliance in accordance with the invention is characterized as defined in the characterizing part of Claim 5. This embodiment is particularly suitable for blocking mechanical functions such as, for example, the actuation of a valve or the drive of a pump. In addition, this embodiment has the advantage that it is
10 comparatively immune to soiling. Such a soiling is for example not unlikely to be caused by the auxiliary fluid. Moreover, this embodiment is not dependent upon an electric power source, which precludes failure of the blocking device owing to, for example, an inadequate battery voltage.

An embodiment of the appliance in accordance with the invention is
15 characterized as defined in the characterizing part of Claim 6. Owing to this measure it is achieved that both the size and the position of a pin-shaped projection form variables for defining different keys. As a result of this, a body care system can include cartridges with mutually different fluids and different keys. It may then be desirable to block different functions in the appliances of the system in dependence on the key. A key having two
20 different variables enables new appliances and fluids to be put on the market with the possibility of allowing operation of old appliances in combination with the new fluids and blocking new appliances for the old fluids, or of blocking the old appliances for the new fluid and allowing operation of the new appliances for the old fluids.

An embodiment of the appliance in accordance with the invention is
25 characterized as defined in the characterizing part of Claim 7. Such a symmetry simplifies mounting of the cartridge on the appliance because the cartridge can be coupled to the appliance in two positions.

An embodiment of the appliance in accordance with the invention is characterized as defined in the characterizing part of Claim 8. The key may then comprise,
30 for example, a pattern of more reflecting and less reflecting surfaces which is read out when the cartridge is placed into the appliance. By means of this measure it is achieved that no forces occur between the cartridge and the appliance as a result of the presence of the key.

An embodiment of the appliance in accordance with the invention is characterized as defined in the characterizing part of Claim 9. By means of these measures it

is achieved that the detection of the key is not susceptible to soiling by the auxiliary fluid. The key can, for example, take the form of a magnetic strip, the magnetic detector being sensitive to a magnetic pattern provided in the magnetic strip. Alternatively, the key may include an inductive element and the magnetic detector may include an antenna for the
5 generation and detection of an alternating magnetic field.

An embodiment of the appliance in accordance with the invention is characterized as defined in the characterizing part of Claim 10. Owing to this measure it is achieved that an electrically controlled function of the appliance can be blocked by simple means. The key may then comprise a pattern of electrode surfaces, connected or not
10 connected to one another, and the electrical detector may comprise a pattern of two or more electrodes. The electrode surfaces may then be connected via a given electrical resistance, capacitance or inductance, or they may form a digital pattern of surfaces, electrically connected or not electrically connected to one another.

An embodiment of the cartridge in accordance with the invention is
15 characterized as defined in the characterizing part of Claim 12. Owing to these measures the shape of the key is non-critical, so that it can be manufactured reliably in a mass-production process.

An embodiment of the cartridge in accordance with the invention is characterized as defined in the characterizing part of Claim 13. By means of this measure it
20 is achieved that the number of variables for the defining the key further increases.

An embodiment of the cartridge in accordance with the invention is characterized as defined in the characterizing part of Claim 14. As a result of this, mounting of the cartridge on the appliance is simplified because the cartridge can be coupled to the
appliance in two positions.

25 An embodiment of the cartridge in accordance with the invention is characterized as defined in the characterizing part of Claim 18. By incorporating the pump in the cartridge it is achieved that the pump can be replaced easily. The hygiene of the system can be improved by, for example, selling a package including five reservoirs and one pump. When the key forms part of the pump the package as a whole can be manufactured more
30 cheaply.

The invention will now be described in more detail, by way of example, with reference to the drawings, in which

Figure 1 is a sectional view showing a first embodiment of the system in accordance with the invention,

Figure 2 is a diagrammatic representation of a part of a second embodiment of the invention, in which an actuating function is blocked,

Figure 3 is a diagrammatic representation of a part of the second embodiment of the invention, in which an actuating function is not blocked,

5 Figure 4 is a diagrammatic representation of a part of a third embodiment of the invention,

Figure 5 is a diagrammatic representation of a part of the third embodiment of the invention, in which a flange in a first position cooperates with a blocking device,

10 Figure 6 is a diagrammatic representation of a part of the third embodiment of the invention, in which the flange in a second position cooperates with a blocking device,

Figure 7 shows a part of an embodiment having an optical key and an optical detector,

15 Figure 8 shows a part of an embodiment having an electrical key and an electrical detector,

Figure 9 shows a part of an embodiment having an electromagnetic key and an electromagnetic detector, and

20 Figure 10 shows a part of an embodiment having a magnetic key and a magnetic head.

Figure 1 shows a first embodiment of the system in accordance with the invention. The system comprises an electric shaver 1 and a cartridge 2 accommodated in a chamber 12 of the shaver 1. The shaver 1 comprises a treatment device, in the present case a shaving head 3 having drivable cutters 31 and an electric motor 11 for driving the cutters 31 via a coupling pin 14. The cartridge 2 comprises a diaphragm pump 23 and a reservoir 25 having a space 21 for holding an auxiliary fluid. This auxiliary fluid preferably has a lubrication component for reducing the friction between the shaving head 3 and the skin of a user and is preferably a shaving lotion. The cartridge 2 has an outlet channel 22 for applying the auxiliary fluid. The shaver 1 further has an interface for coupling the cartridge 2. The interface of the shaver 1 comprises hooks 19 which engage with hooks 24 of an interface of the cartridge 2. The hooks 19 and 24 have been shaped in such a manner that mounting and removal of the cartridge 2 requires some effort. The interface of the shaver 1 further comprises a coupling element for the passage of the auxiliary fluid, in the present case a tubular portion 33, for coupling an outlet opening 32 to the outlet channel 22. For the

actuation of the diaphragm pump 23 the shaver 1 comprises an actuator 13, which extends into the chamber 12. By means of a mechanism, in the present case a lever 17 which is pivotable about a pivot 18, the actuator 13 is coupled to a button 15 on the outside of the shaver 1, in such a manner that the actuator 13 can be driven by moving the button 15.

5 When the button is pressed the diaphragm pump 23 supplies a small amount of the auxiliary fluid via the outlet opening 32.

The cartridge 2 has a mechanical key 50 which cooperates with a blocking device 60, which is adapted to block the lever 17 via pins. The key 50 has projections for positioning the pins of the blocking device 60. The dimensions of the projections determine
10 whether or not the pins of the blocking device 60 block the actuation of the pump 23. In the absence of the correct key the lever 17 is blocked and thus prevents the auxiliary fluid in the cartridge from being pumped to the outlet opening 32.

The shaver 1 further has a battery 44, which can be coupled to the motor 11 via a switch 42 mounted on a printed circuit board 41. The switch 42 can be actuated by
15 means of a button 43 on the outside of the shaver 1. In the present embodiment no auxiliary fluid is needed for shaving and the blocking device 60 allows shaving if no cartridge is present.

Figure 2 is a diagrammatic representation of a part of a second embodiment of the invention, in which an actuating function is blocked. In this embodiment a
20 slide 117 for the actuation of a pump 123 is blocked by means of a blocking device 160. The blocking device 160 further comprises a blocking element 161, which is held in a blocking position by a resilient element 162. In this blocking position the actuation of the pump is blocked in that the blocking element 161 forms a stop for a projection 118 on the slide 117. The advantage of mechanically blocking the slide 117 is that the user feels that the pump
25 function is blocked. Thus, it is avoided that he draws the conclusion that the cartridge is empty or that clogging has occurred.

Figure 3 is a diagrammatic representation of a part of the second embodiment of the invention, in which the actuating function is not blocked. In a non-
blocking position of the blocking element 161 an opening 163 in the blocking element 161 is
30 positioned in such a manner that the projection 118 is free and the pump 123 can be actuated via the slide 117. The blocking element 161 is moved into the non-blocking position by a key which forms part of a cartridge 102. The cartridge 102 holds an auxiliary fluid, which is enclosed by the flange 120 and a flexible wall 121. The flange 120 has a coupling element 122 for the passage of the auxiliary fluid. The key comprises a pin 151 whose position on

the flange corresponds to that of an opening 165 of the blocking device 160 when the coupling element 122 is in line with a coupling element 124 of the pump 123. The key has a key surface 153 which engages against a contact surface 164 of the blocking element 161. The pin 151 has a such a length l that the blocking element 161 is held in its non-blocking position against the pressure of the resilient element 162. The key on the cartridge 102 comprises a second pin 152 having the same length as the pin 151. The second pin 152 likewise has a key surface adapted to cooperate with the contact surface 164. The pins 151 and 152 are disposed symmetrically with respect to the coupling element 122. Owing to this symmetry the cartridge 102 can be mounted in two different positions which are spaced 180 degrees apart.

Figure 4 is a diagrammatic representation of a part of a third embodiment of the invention. In this embodiment the key comprises two pins 251 and 252 arranged symmetrically with respect to a coupling element 222. The pins 251 and 252 form parts of a flange 220 which is connected to a flexible pouch, not shown. The blocking device 260 comprises two blocking elements 261 and 262 held in a blocking position by two springs 263 and 264. In this blocking position the blocking elements 261 and 262 block two projections 271 and 272 which form parts of actuating slides 273 and 274, so that the functions controlled by the actuating slides 273 and 274 are blocked. The slides 271 and 272 may be coupled in such a manner that both slides should not be blocked to actuate a function. The blocking elements 271 and 272 may be coupled in such a way that the presence of one of the two pins 251 and 252 is adequate to set the blocking elements 271 and 272 to a non-blocking position.

Figure 5 is a diagrammatic representation of a part of the third embodiment of the invention, in which the flange 220 in a first position cooperates with the blocking device 260 and said functions are not blocked. In the non-blocking positions of the blocking elements 261 and 262 the projections 271 and 272 are free, so that the actuating slides 273 and 274 can be moved in a direction perpendicular to the plane of drawing.

Figure 6 is a diagrammatic representation of a part of the third embodiment of the invention, in which the flange 220 in a second position cooperates with the blocking device 260 and in which said functions are not blocked. In the third embodiment the blocking device 260 is symmetrical and each blocking element has two non-blocking positions. As a result of this, the flange 220 can be mounted in tow different positions which are 180 degrees spaced apart, while the key is asymmetrical. The blocking device 260 is also unblocked by a key having two pins of a length equal to that of the pin 251 or of the pin

252. As a result, it is possible to market different cartridges with different keys and different fluids, which all unblock the blocking device 260, and to market appliances which comprise blocking elements having one opening for the passage of one projection, so that these are unblocked for only one of these keys.

5 Figure 7 shows a part of an embodiment having an optical key and an optical detector. In this embodiment a cartridge 302 has a bar code 350 which can be read by an optical detector 361 when the cartridge is placed into a suitable chamber 312 in an appliance in accordance with the invention. The appliance further comprises a control unit 363 including a detection circuit. The control unit wholly or partly enables the drive to be
10 applied to a motor 11 upon detection of the correct bar code. The motor 11 serves, for example, for driving cutters as shown in Figure 1.

 Figure 8 shows a part of an embodiment having an electrical key and an electrical detector. In this embodiment a cartridge 402 has two contact surfaces 451 and 452 interconnected via a resistor 453 having a given resistance value. When the cartridge is
15 present in a chamber 412 of an appliance in accordance with the invention this resistance value can be measured by means of a measurement circuit of a control unit 463 and two electrodes 461 and 462. Upon detection of given resistance values certain speeds of the motor 11 are no longer inhibited.

 Figure 9 shows a part of an embodiment having an electromagnetic key
20 and an electromagnetic detector. In this embodiment a cartridge 502 comprises a resonant circuit 550, which can be read out by means of an antenna 561 when the cartridge 502 is present in a suitable chamber 512 in an appliance in accordance with the invention. The appliance further comprises a control unit 563 having a decoder circuit which wholly or partly enables the drive to be applied to a motor 11 upon detection of the correct resonant
25 frequency.

 Figure 10 shows a part of an embodiment having a magnetic key and a magnetic head. In this embodiment a cartridge 602 has a magnetic strip 650 which can be read out by means of a magnetic head 661 when the cartridge is placed into a suitable chamber 612 in an appliance in accordance with the invention. The appliance further
30 comprises a control unit 663 having a decoder circuit which wholly or partly enables the drive to be applied to a motor 11 upon detection of the correct code on the magnetic strip.

 It is to be noted that the invention is not limited to said embodiments. The blockable function can also involve a treatment of a given type or a give treatment speed. For example, in the case of a massaging device the auxiliary fluid may be a massaging oil, a

higher massaging speed being allowed when a cartridge having the correct is present. Thus, it is possible to preclude an undesirable effect of an unsuitable auxiliary fluid on, for example, the skin of a user in combination with that given treatment or treatment speed. Besides, the appliance can be constructed as an electric toothbrush, a depilation device or a steaming device, the auxiliary fluid being, for example, a toothpaste, a body-care cream or a menthol preparation.

CLAIMS:

1. A system suitable for personal body care, comprising a cartridge (2) having a space (21) for storing an auxiliary fluid, and an appliance (1) comprising
 - a treatment device (11, 14, 31) for carrying out a treatment on the body of a user with the aid of the auxiliary fluid, and
 - 5 - an interface (19) for coupling the cartridge to the appliance, characterized in that
 - the appliance (1) includes a blocking device (60) adapted to block at least one function of the appliance,
 - the cartridge (2) has a key for cooperation with the blocking device, and
 - 10 - the blocking device is adapted to unblock said function when the cartridge (2) is mounted.
2. An appliance for body care, comprising
 - a treatment device (11, 14, 31) for carrying out a treatment on the body of a user, and
 - 15 - an interface (19) for coupling a cartridge (2) to the appliance, which cartridge has a space (21) for storing an auxiliary fluid, characterized in that
 - the appliance includes a blocking device (60) adapted to block at least one function of the appliance, and
 - 20 - the blocking device is adapted to unblock said function when a cartridge (2) having a key is coupled to the appliance.
3. An appliance as claimed in Claim 2, characterized in that said function comprises the application of the auxiliary fluid.
4. An appliance as claimed in Claim 2 or 3, characterized in that the
 - 25 treatment device (11, 14, 13) is adapted to carry out a treatment which does not require an auxiliary fluid, and the blocking device is adapted to allow this treatment if no cartridge has been mounted.
5. An appliance as claimed in Claim 2, characterized in that
 - the blocking device (160) comprises at least one blocking element (161)

which blocks said function in a blocking position and which allows said function in a non-blocking position,

- the blocking device (160) comprises at least one contact surface (164) for positioning the blocking element (161) by means of a key surface (153, 154).

5 6. An appliance as claimed in Claim 5, characterized in that

- the contact surface (164) is only accessible via an opening (165) in a wall (166) of the appliance.

7. An appliance as claimed in Claim 6, characterized in that

- the appliance has a coupling element (224) for the passage of the auxiliary
10 fluid,

- the blocking device (260) is constructed to be symmetrical with respect to the coupling element.

8. An appliance as claimed in Claim 2, characterized in that

- the blocking device comprises an optical detector (361) for detecting an
15 optical key (350) on a cartridge (302) which has been coupled to the appliance, and

- the blocking device has a control unit (363) coupled to the detector.

9. An appliance as claimed in Claim 2, characterized in that

- the blocking device comprises a magnetic detector (661) or an
20 electromagnetic detector (561) for detecting a magnetic key (650) or electromagnetic key (550) on a cartridge (602; 502) coupled to the appliance, and

- the blocking device has a control unit (663; 563) coupled to the detector.

10. An appliance as claimed in Claim 2, characterized in that

- the blocking device comprises at least two electrodes (461, 462) for
engagement with contact surfaces (451, 452) of a cartridge (402) coupled to the appliance,

25 and

- the blocking device comprises a control unit (463) coupled to the electrodes.

11. A cartridge (2) comprising

- a space (21) for the storage of an auxiliary fluid intended for personal
30 body care in conjunction with a body-care treatment,

- an interface (22, 24) for coupling the cartridge to an appliance (1) adapted to carry out said treatment,

characterized in that

- the cartridge (2) has a key (50) for unblocking a function of the appliance

(1) when the cartridge is coupled to the appliance.

12. A cartridge (102) as claimed in Claim 11, characterized in that the key comprises at least one pin-shaped projection (151, 152) whose position and length (l) define the key.

5 13. A cartridge (102) as claimed in Claim 12, characterized in that
- the key comprises at least two pin-shaped projections (151, 152).

14. A cartridge (102) as claimed in Claim 13, characterized in that
- the cartridge comprises a coupling element (122) for the passage of the auxiliary fluid, and

10 - the pin-shaped projections (151, 152) are arranged symmetrically with respect to the coupling element.

15. A cartridge (302) as claimed in Claim 11, characterized in that
- the key comprises an optical key.

16. A cartridge (602, 502) as claimed in Claim 11, characterized in that
15 - the key comprises a magnetic key (650) or an electromagnetic key (550).

17. A cartridge (402) as claimed in Claim 11, characterized in that
- the key comprises at least two contact surfaces (451, 452) between which an electrical element is arranged.

18. A cartridge (2) as claimed in Claim 11, characterized in that
20 - the cartridge comprises a reservoir (25) and a pump (23), and
- the key (50) forms part of the pump.

19. A cartridge (2) as claimed in Claim 11, characterized in that
- the cartridge comprises a reservoir (25) and a pump (23), and
- the pump is detachable from the reservoir.

25 20. A flange (120) for coupling a cartridge (2) containing an auxiliary fluid intended for personal body care in conjunction with a body care treatment to an appliance (1) adapted to carry out said treatment,

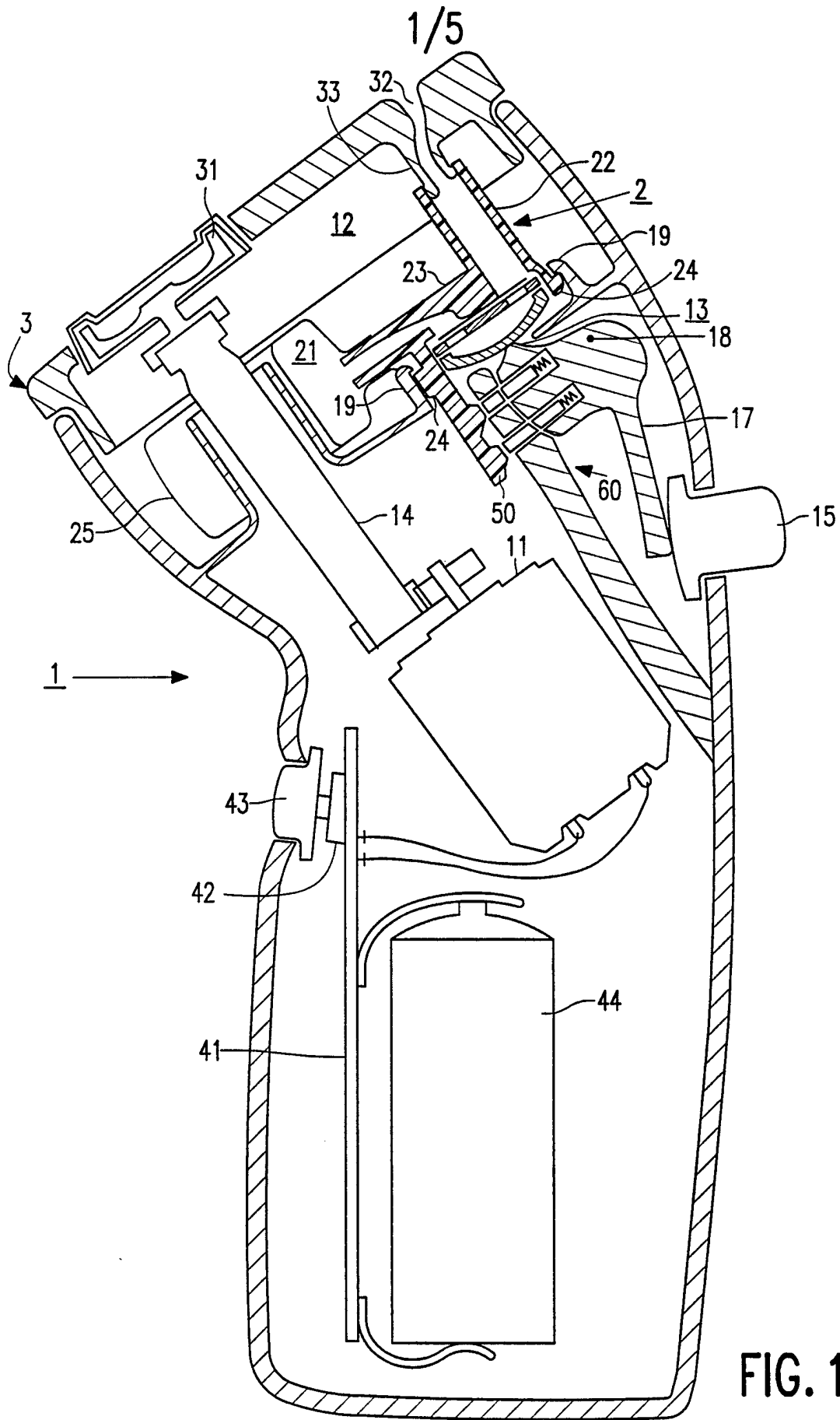
characterized in that

- the flange (120) has a key (50) for unblocking a function of the appliance

30 (1) when the cartridge is coupled to the appliance.

21. A pump (23) for the transport of an auxiliary fluid intended for personal body care in conjunction with a body care treatment with an appliance (1) adapted to carry out said treatment,
characterized in that

- the pump (23) has a key (50) for unblocking a function of the appliance (1) when the cartridge is coupled to the appliance.



2/5

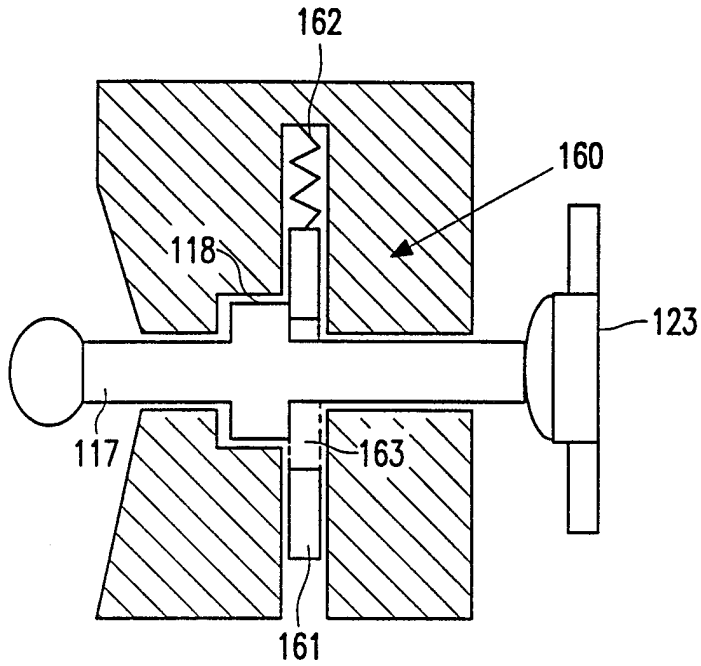


FIG. 2

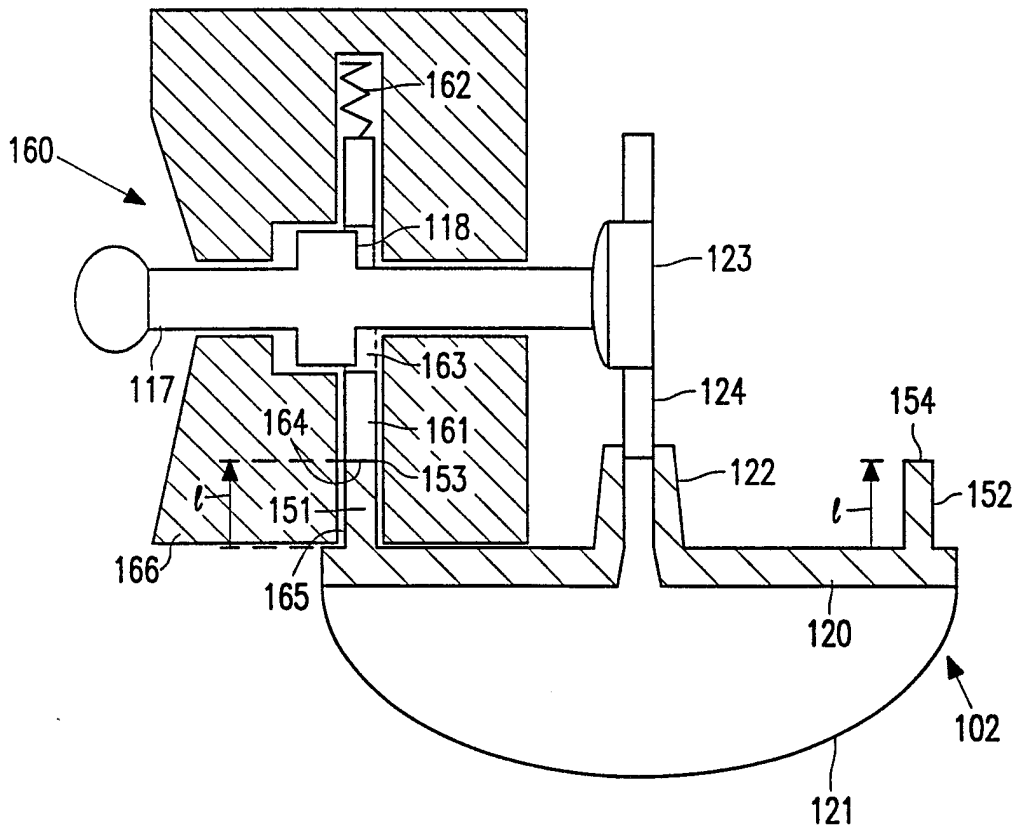


FIG. 3

3/5

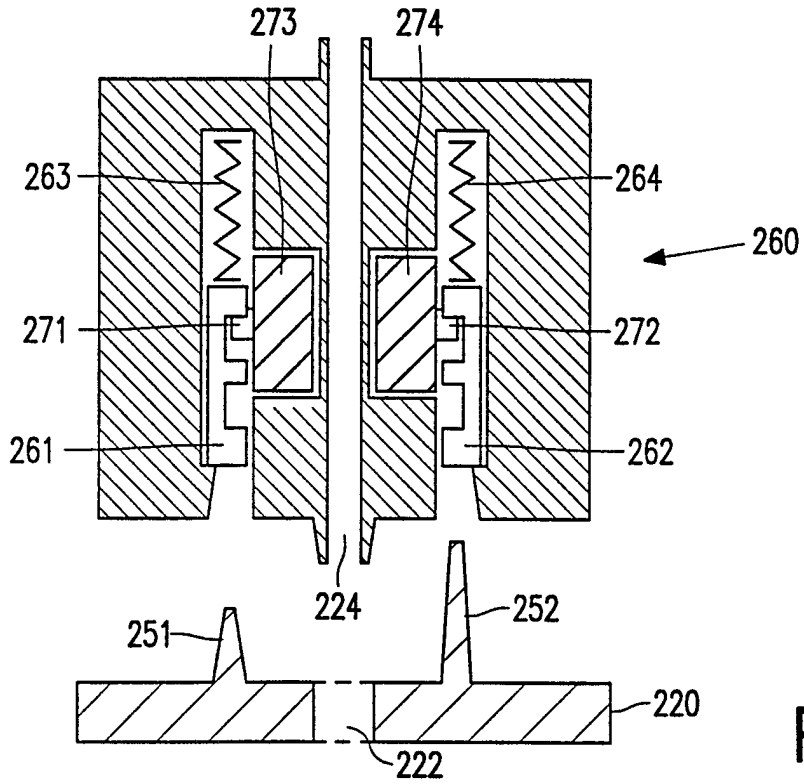


FIG. 4

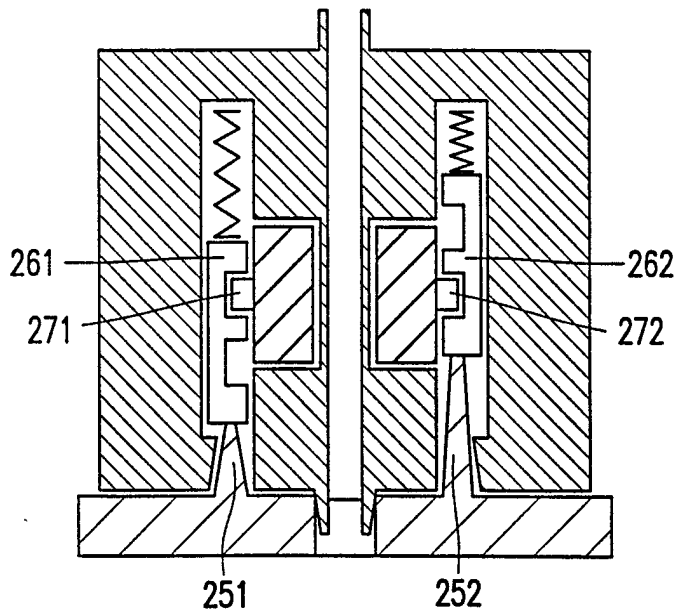


FIG. 5

4/5

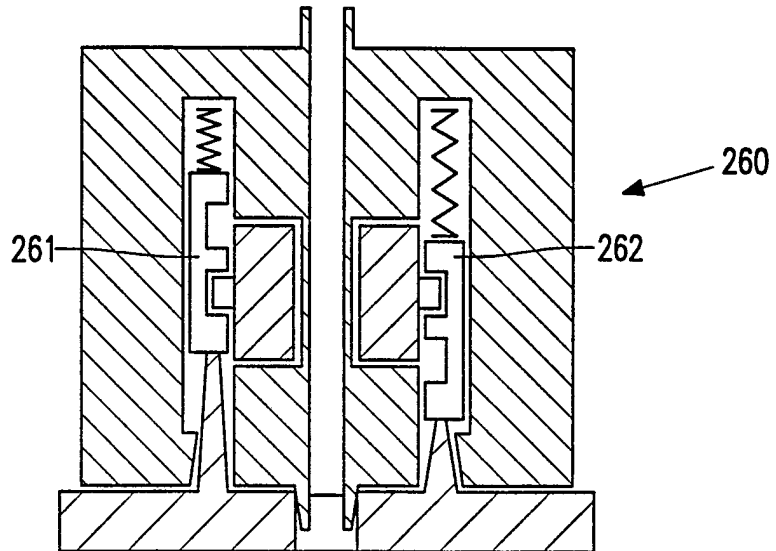


FIG. 6

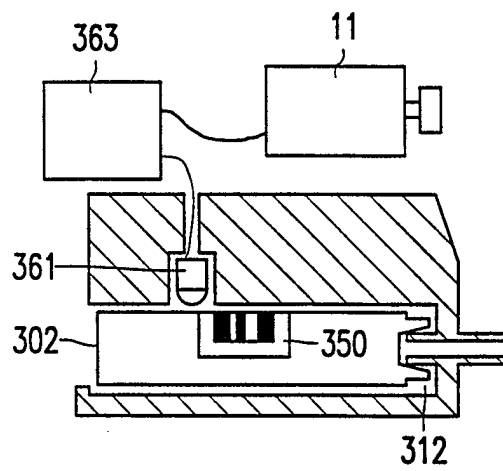


FIG. 7

5/5

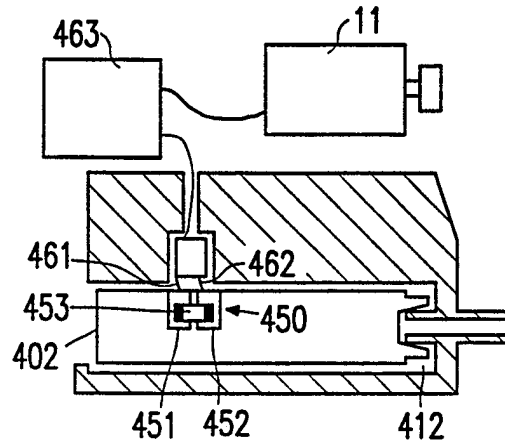


FIG. 8

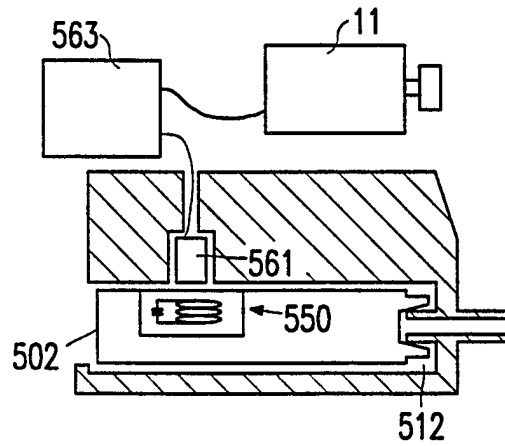


FIG. 9

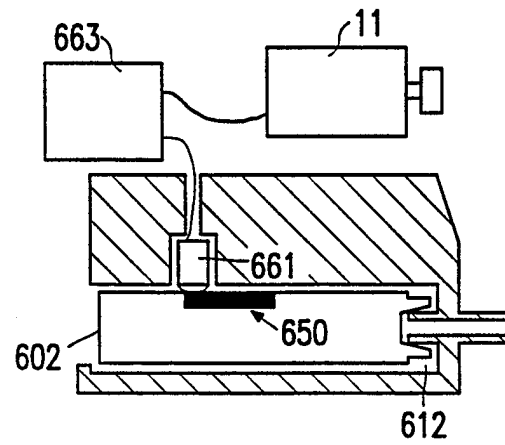


FIG. 10

INTERNATIONAL SEARCH REPORT

International application No.

PCT/IB 98/00545

A. CLASSIFICATION OF SUBJECT MATTER

IPC6: B26B 21/44, B26B 19/38
According to International Patent Classification (IPC) or to both national classification and IPC

B. FIELDS SEARCHED

Minimum documentation searched (classification system followed by classification symbols)

IPC6: B26B

Documentation searched other than minimum documentation to the extent that such documents are included in the fields searched

SE,DK,FI,NO classes as above

Electronic data base consulted during the international search (name of data base and, where practicable, search terms used)

WPIL, EDOC

C. DOCUMENTS CONSIDERED TO BE RELEVANT

Category*	Citation of document, with indication, where appropriate, of the relevant passages	Relevant to claim No.
X	EP 0505630 A1 (DRAHUS, DENIS P), 30 Sept 1992 (30.09.92), column 1, line 53 - column 2, line 3; column 4, line 37 - column 5, line 7 --	1-5,11,20,21
X	US 3726009 A (HACKMYER), 10 April 1973 (10.04.73), column 1, line 49 - line 62 --	1-5,11,20,21
A	US 5402697 A (BROOKS), 4 April 1995 (04.04.95) --	1-21
X	US 2786270 A (C. ORLANDO ET AL), 26 March 1957 (26.03.57), column 4, line 34 - line 54, figures 3, 4 --	1-4,20,21

Further documents are listed in the continuation of Box C. See patent family annex.

<p>* Special categories of cited documents:</p> <p>"A" document defining the general state of the art which is not considered to be of particular relevance</p> <p>"E" earlier document but published on or after the international filing date</p> <p>"L" document which may throw doubts on priority claim(s) or which is cited to establish the publication date of another citation or other special reason (as specified)</p> <p>"O" document referring to an oral disclosure, use, exhibition or other means</p> <p>"P" document published prior to the international filing date but later than the priority date claimed</p>	<p>"T" later document published after the international filing date or priority date and not in conflict with the application but cited to understand the principle or theory underlying the invention</p> <p>"X" document of particular relevance: the claimed invention cannot be considered novel or cannot be considered to involve an inventive step when the document is taken alone</p> <p>"Y" document of particular relevance: the claimed invention cannot be considered to involve an inventive step when the document is combined with one or more other such documents, such combination being obvious to a person skilled in the art</p> <p>"&" document member of the same patent family</p>
--	---

Date of the actual completion of the international search 25 June 1998	Date of mailing of the international search report 30 -06- 1998
Name and mailing address of the ISA/ Swedish Patent Office Box 5055, S-102 42 STOCKHOLM Facsimile No. +46 8 666 02 86	Authorized officer Johnny Claesson Telephone No. +46 8 782 25 00

INTERNATIONAL SEARCH REPORT

International application No.

PCT/IB 98/00545

C (Continuation). DOCUMENTS CONSIDERED TO BE RELEVANT

Category*	Citation of document, with indication, where appropriate, of the relevant passages	Relevant to claim No.
A	US 3103299 A (A.R. WERFT), 10 Sept 1963 (10.09.63), column 3, line 12 - column 4, line 5 -- -----	1-21

INTERNATIONAL SEARCH REPORT

Information on patent family members

09/06/98

International application No.

PCT/IB 98/00545

Patent document cited in search report	Publication date	Patent family member(s)	Publication date
EP 0505630 A1	30/09/92	US 5016351 A	21/05/91
US 3726009 A	10/04/73	NONE	
US 5402697 A	04/04/95	NONE	
US 2786270 A	26/03/57	NONE	
US 3103299 A	10/09/63	NONE	