



(12) **United States Design Patent** (10) **Patent No.:** **US D790,691 S**
Davis et al. (45) **Date of Patent:** **** Jun. 27, 2017**

(54) **FINGER FLANGE**
 (71) Applicant: **West Pharmaceutical Services, Inc.**,
 Exton, PA (US)
 (72) Inventors: **Tommy Gene Davis**, Athens, TX (US);
Daniel Clark Whiteside, Athens, TX
 (US); **Christopher Evans**, Long Valley,
 NJ (US); **Brian Costello**, Whitehouse
 Station, NJ (US)

5,667,495 A 9/1997 Bitdinger et al.
 5,700,247 A 12/1997 Grimard et al.
 D397,790 S 9/1998 Naganuma
 5,803,918 A 9/1998 Vetter et al.
 5,897,532 A 4/1999 Spallek et al.
 5,997,514 A 12/1999 Balestracci
 D425,198 S * 5/2000 Porta D24/114
 D434,850 S * 12/2000 Balestracci D24/112
 7,223,259 B2 5/2007 Marshall et al.
 7,361,162 B2 4/2008 Koller et al.
 (Continued)

(73) Assignee: **West Pharmaceutical Services, Inc.**,
 Exton, PA (US)

FOREIGN PATENT DOCUMENTS

WO 2014/025564 A1 2/2014

(**) Term: **15 Years**

OTHER PUBLICATIONS

(21) Appl. No.: **29/534,399**

British Registration for an Auxiliary Finger Flange for a Syringe,
 RGN 2064934, Seikagaku Kogyo Kabushiki Kaisha, Apr. 14,
 1997.*

(22) Filed: **Jul. 28, 2015**

(51) **LOC (10) Cl.** **24-99**

(52) **U.S. Cl.**
 USPC **D24/130**

(58) **Field of Classification Search**
 USPC D24/112-114, 127-130
 CPC .. A61M 5/3137; A61M 5/315; A61M 5/3213;
 A61M 2005/3139
 See application file for complete search history.

Primary Examiner — Richelle G Shelton
 (74) *Attorney, Agent, or Firm* — Panitch Schwarze
 Belisario & Nadel LLP

(57) **CLAIM**

The ornamental design for a finger flange, as shown and
 described.

(56) **References Cited**

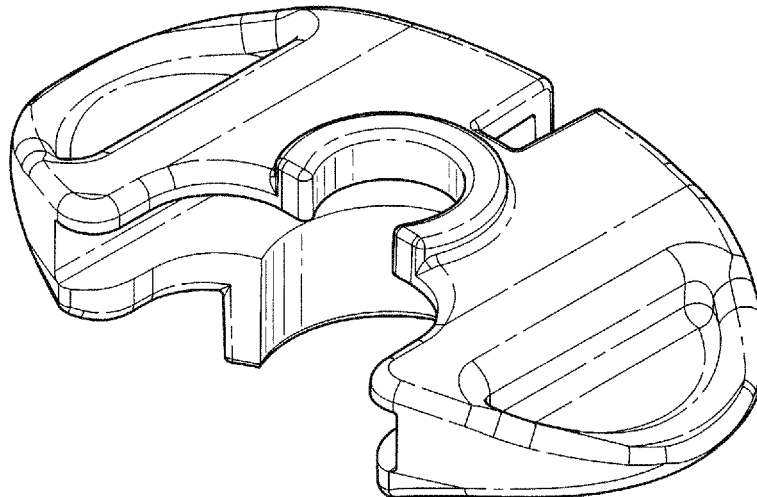
DESCRIPTION

U.S. PATENT DOCUMENTS

3,325,061 A * 6/1967 Ellsworth A61M 5/3137
 222/386
 4,610,672 A 9/1986 Ewalt et al.
 D293,130 S * 12/1987 Ashie D24/128
 4,711,637 A 12/1987 Leigh et al.
 4,890,626 A 1/1990 Wang
 5,135,511 A 8/1992 Houghton et al.
 5,282,792 A 2/1994 Imbert
 5,338,309 A 8/1994 Imbert
 5,358,497 A 10/1994 Dorsey et al.
 D372,089 S 7/1996 Sheu
 5,554,133 A 9/1996 Haffner et al.
 5,607,399 A 3/1997 Grimard et al.

FIG. 1 is a bottom and rear perspective view of a finger
 flange in accordance with our design;
 FIG. 2 is a rear elevational view thereof;
 FIG. 3 is a front elevational view thereof;
 FIG. 4 is a bottom plan view thereof;
 FIG. 5 is a top plan view thereof;
 FIG. 6 is a right side elevational view thereof; and,
 FIG. 7 is a left side elevational view thereof.
 The broken lines in the figures are directed to portions of the
 article excluded from the claim.

1 Claim, 4 Drawing Sheets



(56)

References Cited

U.S. PATENT DOCUMENTS

D581,527	S	11/2008	Jansen	
7,488,307	B2	2/2009	Rimlinger et al.	
8,016,795	B2	9/2011	Barrelle et al.	
8,075,535	B2	12/2011	Carrel et al.	
8,608,693	B2	12/2013	Westbye	
D710,005	S	7/2014	Kawamura	
8,920,385	B2	12/2014	Dowds	
2002/0198499	A1*	12/2002	Hu	A61M 5/322 604/218
2004/0167476	A1	8/2004	Westbye	
2004/0254539	A1*	12/2004	Wolbring	A61M 5/3135 604/187
2013/0178737	A1*	7/2013	Anelli	A61M 5/3137 600/432

* cited by examiner

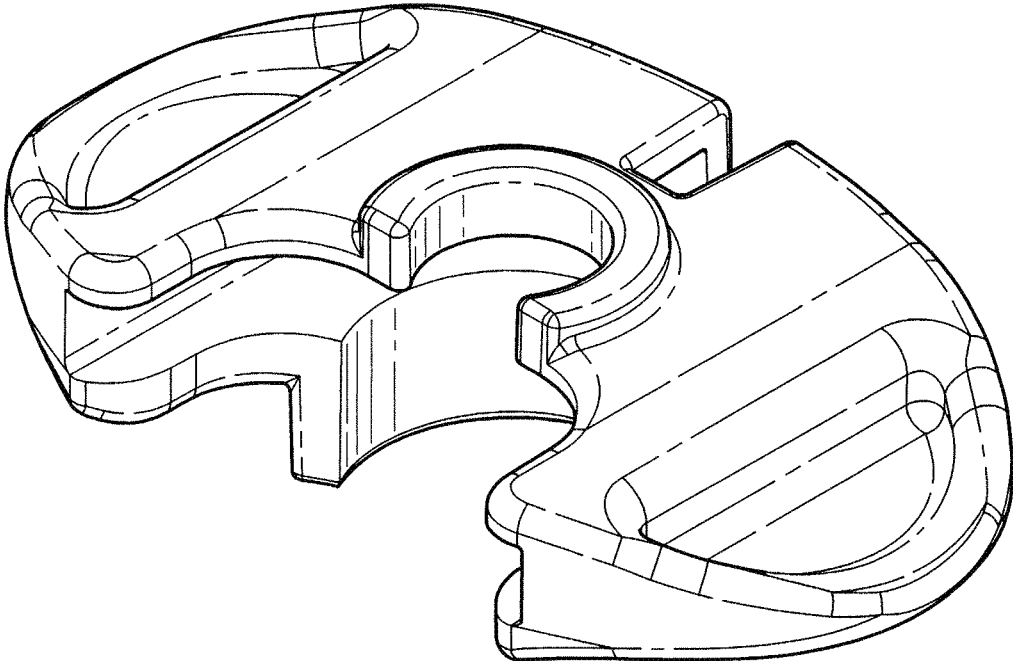


FIG. 1

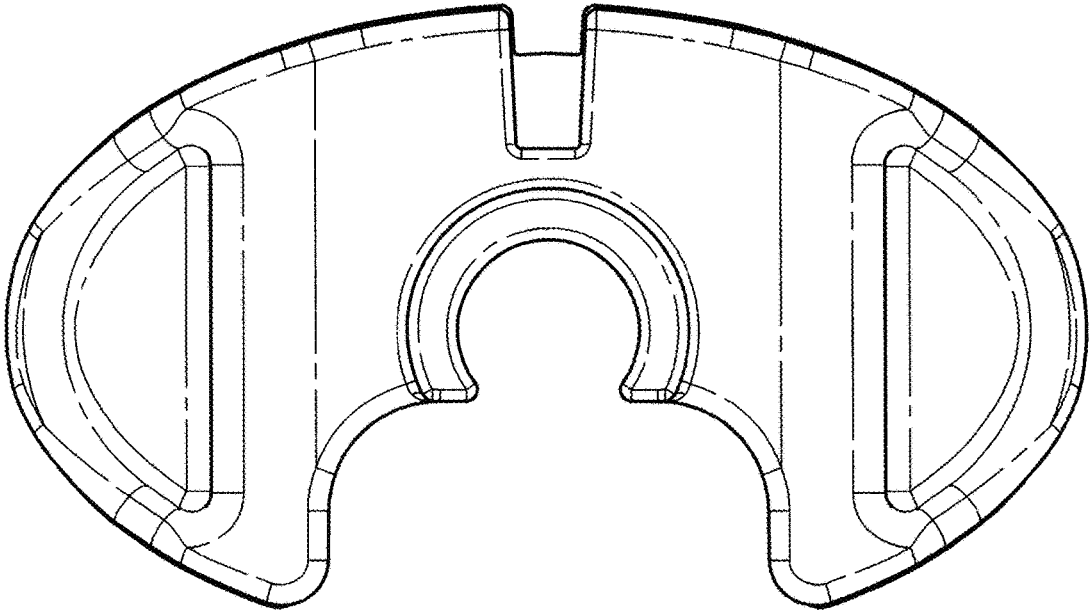


FIG. 2

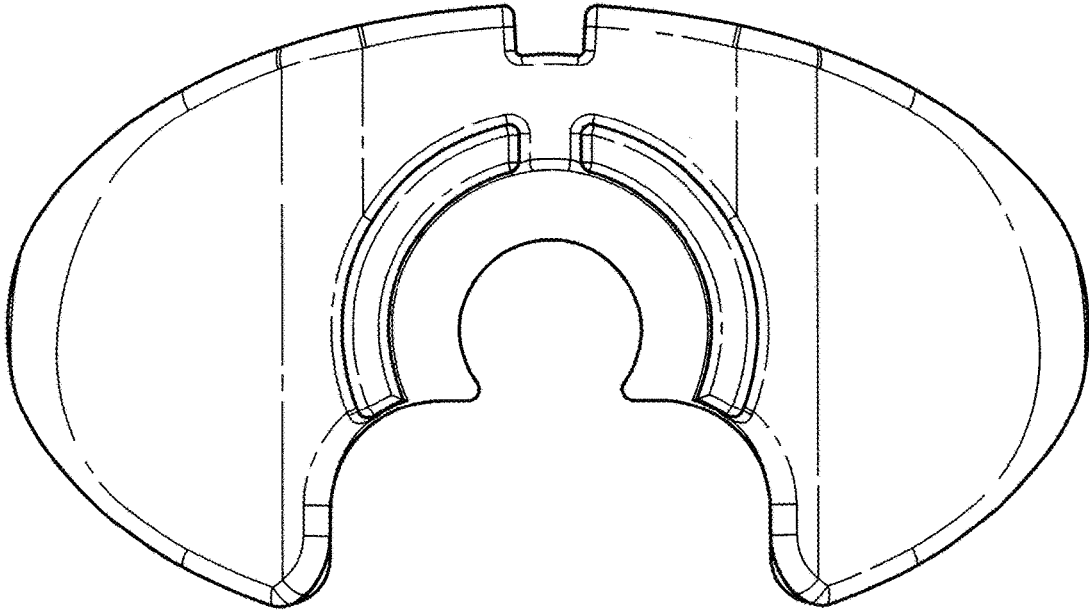


FIG. 3

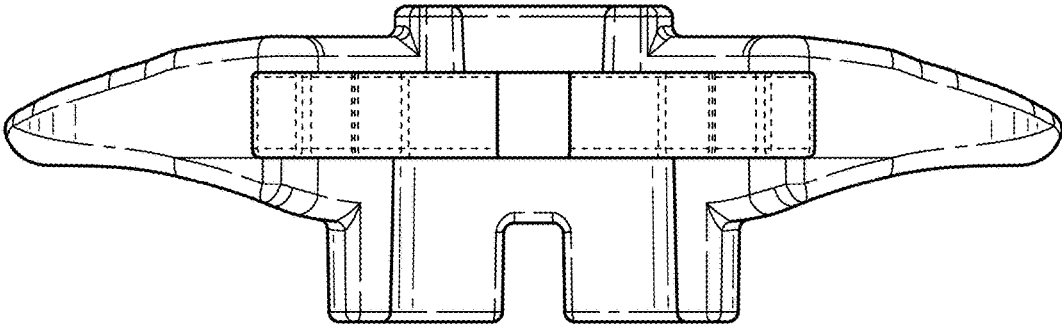


FIG. 4

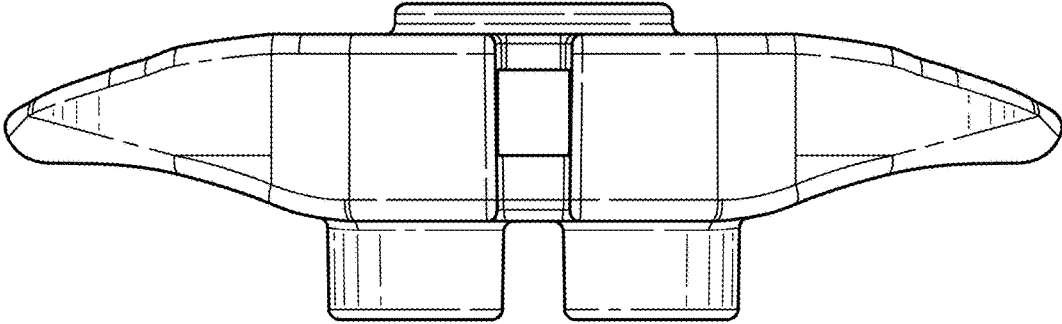


FIG. 5

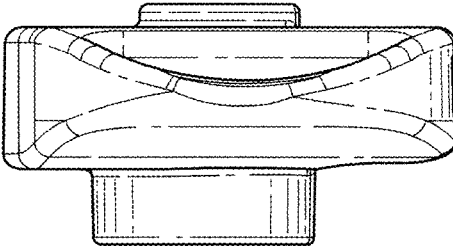


FIG. 6

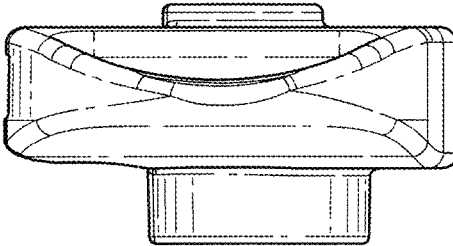


FIG. 7