



(12) **United States Design Patent**
Pantelleria

(10) **Patent No.:** **US D787,321 S**
(45) **Date of Patent:** **** May 23, 2017**

(54) **CONTAINER WITH LOCK**

- (71) Applicant: **Huhtamaki, Inc.**, De Soto, KS (US)
- (72) Inventor: **Joseph A. Pantelleria**, Overland Park, KS (US)
- (73) Assignee: **HUHTAMAKI, INC.**, De Soto, KS (US)
- (**) Term: **15 Years**
- (21) Appl. No.: **29/572,897**
- (22) Filed: **Aug. 1, 2016**

Related U.S. Application Data

- (60) Division of application No. 29/510,969, filed on Dec. 4, 2014, now Pat. No. Des. 762,468, which is a continuation-in-part of application No. 29/510,827, filed on Dec. 3, 2014, now Pat. No. Des. 753,994.
- (51) **LOC (10) Cl.** **09-03**
- (52) **U.S. Cl.**
USPC **D9/423**; D9/433
- (58) **Field of Classification Search**
USPC D9/414, 416, 420, 423, 430, 431, 432, D9/433, 715, 717, 721, 761; D7/546, D7/601, 602, 708; 229/100, 101, 103, 229/103.3, 111, 112
CPC B65D 1/36; B65D 81/3294; B65D 1/24; B65D 81/3261; B65D 5/6661; B65D 5/545; B65D 5/667
See application file for complete search history.

(56) **References Cited**

U.S. PATENT DOCUMENTS

4,232,816 A	11/1980	Johnson et al.
4,360,147 A	11/1982	Brauner
4,431,128 A	2/1984	Dirico
4,472,896 A	9/1984	Brauner et al.
4,844,330 A	7/1989	Roosa et al.

(Continued)

OTHER PUBLICATIONS

Photos of Hamburger Clamshell and Hot Dog Clamshells, <http://www2.us.huhtamaki.com>, 3 pages, Huhtamaki Food Group 2013.

Primary Examiner — Ian Simmons

Assistant Examiner — Keith Frank

(74) *Attorney, Agent, or Firm* — Husch Blackwell LLP

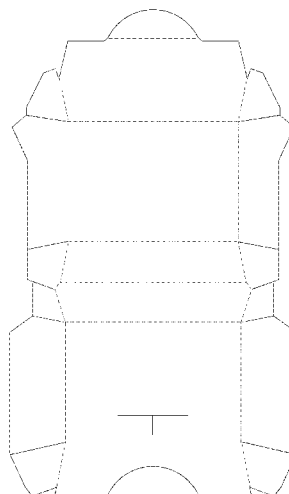
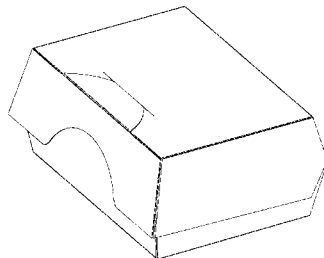
(57) **CLAIM**

The ornamental design for a container with lock, as shown and described.

DESCRIPTION

FIG. 1 is a top perspective view of a container with lock showing the new design;
 FIG. 2 is a bottom perspective view of the container with lock shown in FIG. 1;
 FIG. 3 is a front elevational view of the container with lock shown in FIG. 1;
 FIG. 4 is a rear elevational view of the container with lock shown in FIG. 1;
 FIG. 5 is a right side elevational view of the container with lock shown in FIG. 1;
 FIG. 6 is a left side elevational view of the container with lock shown in FIG. 1;
 FIG. 7 is a top plan view of the container with lock shown in FIG. 1;
 FIG. 8 is a bottom plan view of the container with lock shown in FIG. 1;
 FIG. 9 is a perspective view of the container with lock shown in FIG. 1 illustrating the container with lock in an open position; and,
 FIG. 10 is a top plan view of the container with lock shown in FIG. 1 illustrating the container with lock in a flat and disassembled position.
 The broken lines in the drawings showing the container with lock represent claimed fold lines.

1 Claim, 7 Drawing Sheets



US D787,321 S

(56)

References Cited

U.S. PATENT DOCUMENTS

4,877,178 A	10/1989	Eisman	7,874,476 B2	1/2011	D' Amato
4,955,527 A	9/1990	Blackman et al.	D635,852 S *	4/2011	Jenkins D9/433
5,039,003 A	8/1991	Gordon et al.	8,056,799 B2	11/2011	Burke et al.
5,058,803 A	10/1991	Gulliver	8,146,743 B2 *	4/2012	Stonehouse B65D 5/4295 206/459.1
D322,571 S	12/1991	Groves	8,490,808 B1	7/2013	Snyder
D322,757 S	12/1991	Payne	D695,608 S	12/2013	Pusta et al.
5,148,972 A *	9/1992	Clayton A47G 21/001 229/113	8,672,215 B2 *	3/2014	Learn B65D 5/667 229/114
5,205,476 A	4/1993	Sorenson	8,733,622 B2 *	5/2014	Learn B65D 5/667 229/114
5,221,040 A	6/1993	Sorenson	8,740,050 B2	6/2014	Zinck et al.
D340,411 S *	10/1993	Ong D9/433	8,814,032 B2	8/2014	Li
D346,553 S	5/1994	Akerlind	8,820,617 B2 *	9/2014	Silverstein B65D 5/4229 229/102
5,332,147 A	7/1994	Sorenson	9,139,330 B2	9/2015	Gomez
5,338,758 A	8/1994	Chu et al.	D752,429 S *	3/2016	Mayer D9/420
D352,897 S	11/1994	Jackson	9,278,774 B2	3/2016	Fairchild, Jr.
5,431,333 A	7/1995	Lorenz	D764,273 S *	8/2016	Klag D7/602
D384,583 S	10/1997	Green et al.	D764,280 S *	8/2016	Carnu D9/423
5,860,530 A	1/1999	Simmons et al.	2002/0000463 A1 *	1/2002	Jaggi B65D 5/6667 229/123
6,041,997 A	3/2000	Jensen	2002/0089847 A1	7/2002	Nguyen
6,065,669 A *	5/2000	Correll B65D 5/2033 206/518	2004/0074953 A1	4/2004	Yocum
6,126,065 A	10/2000	Wee	2005/0092649 A1 *	5/2005	Ford B65D 5/5445 206/736
D519,830 S	5/2006	Yocum			
D622,589 S	8/2010	Elias et al.			

* cited by examiner

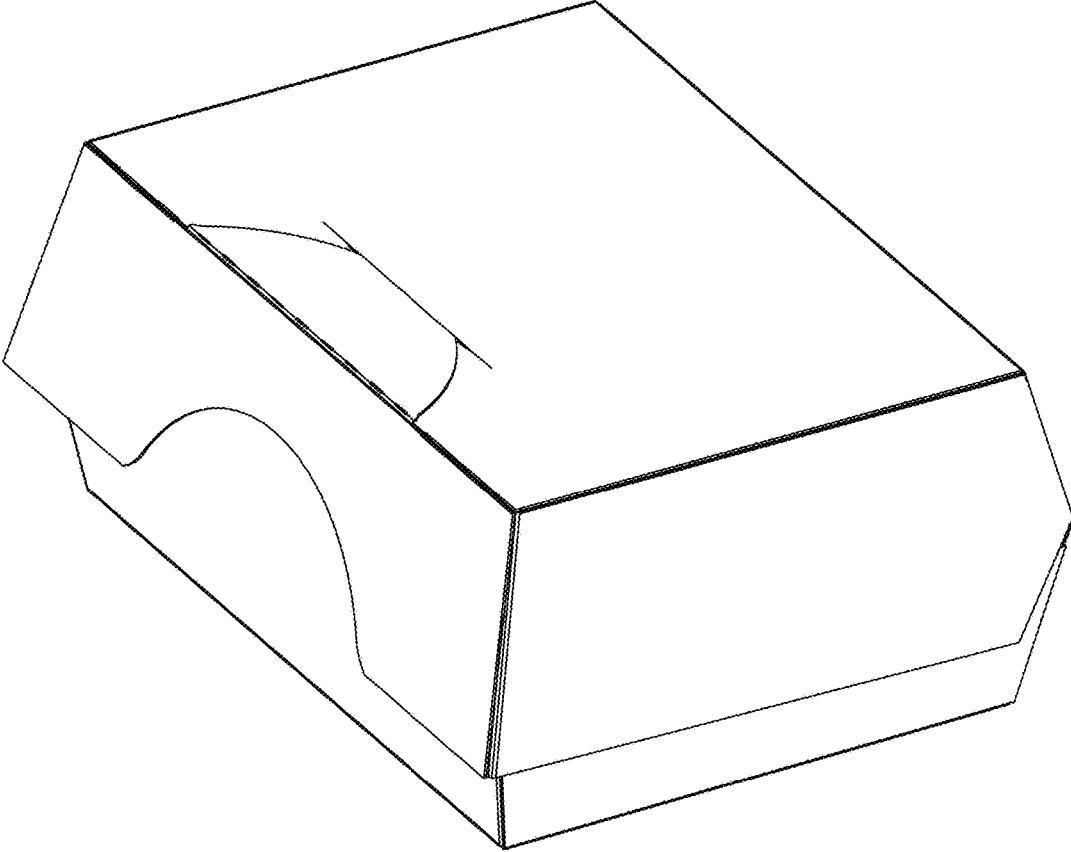


Fig. 1

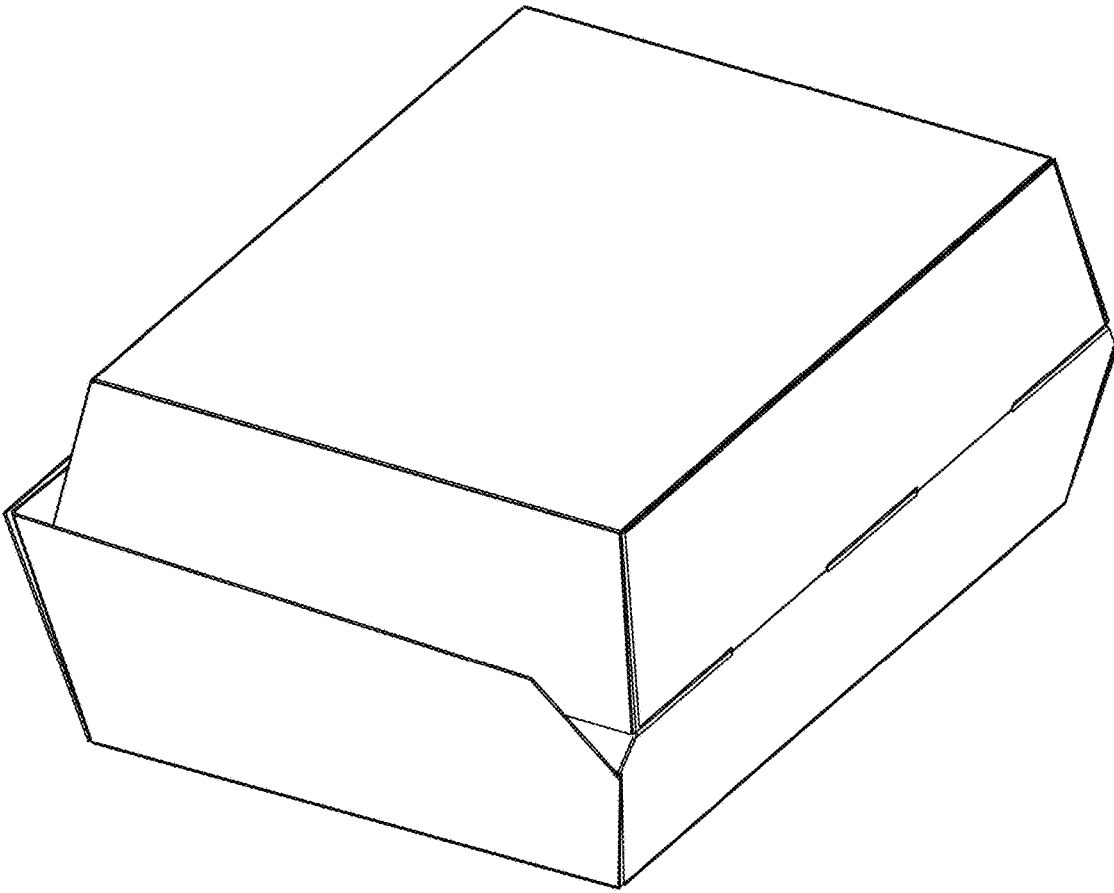


Fig. 2

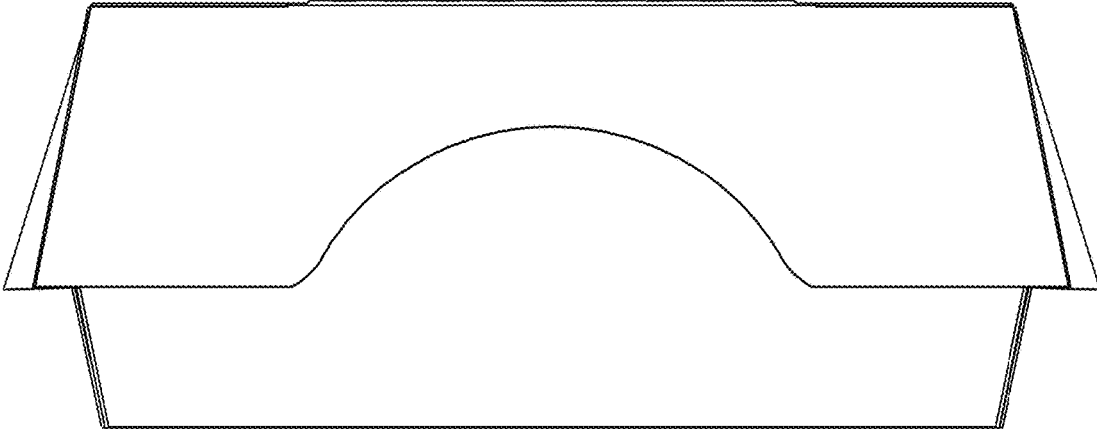


Fig. 3

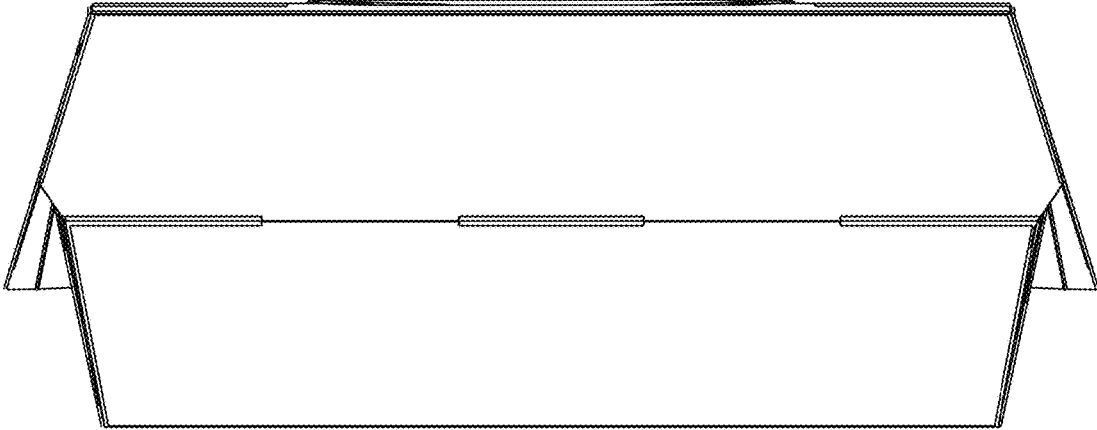


Fig. 4

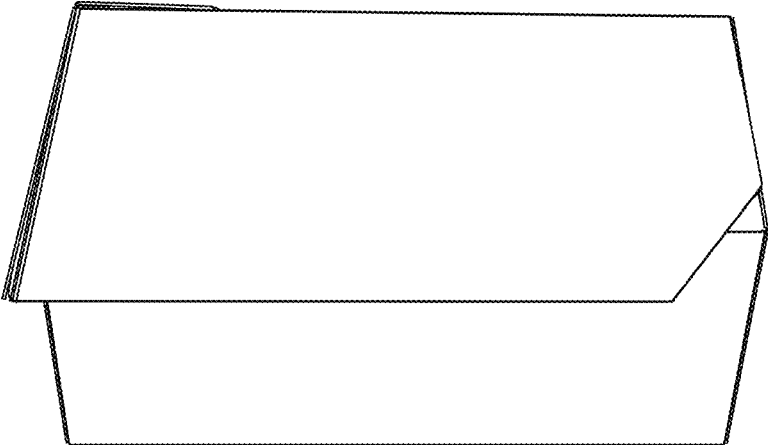


Fig. 5

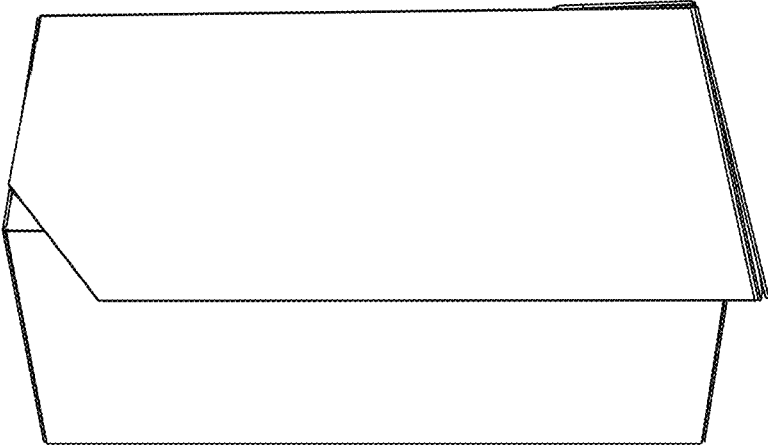


Fig. 6

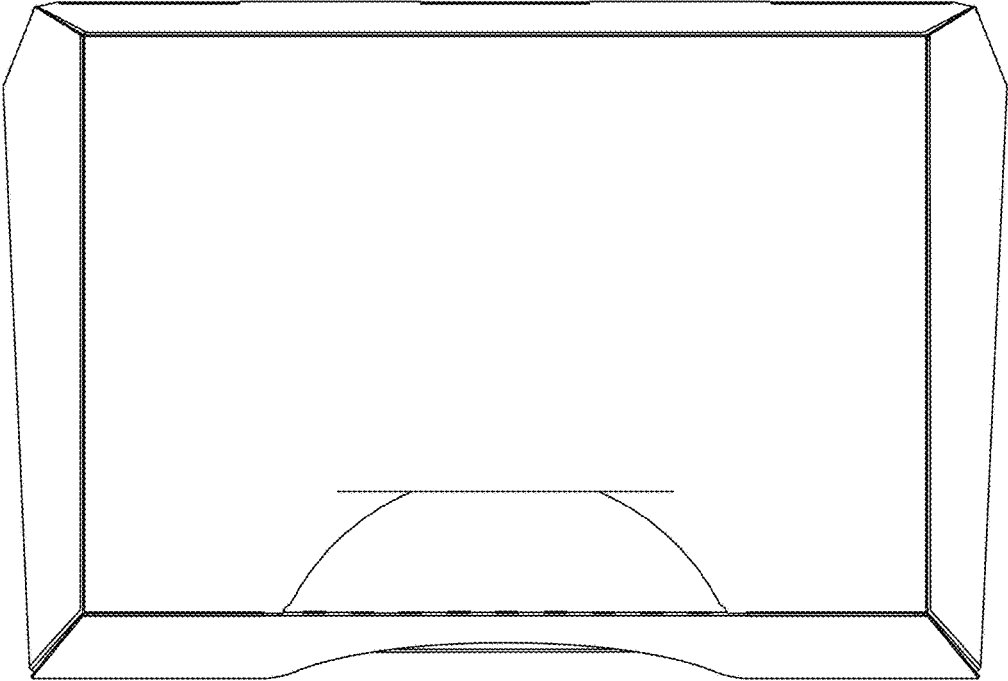


Fig. 7

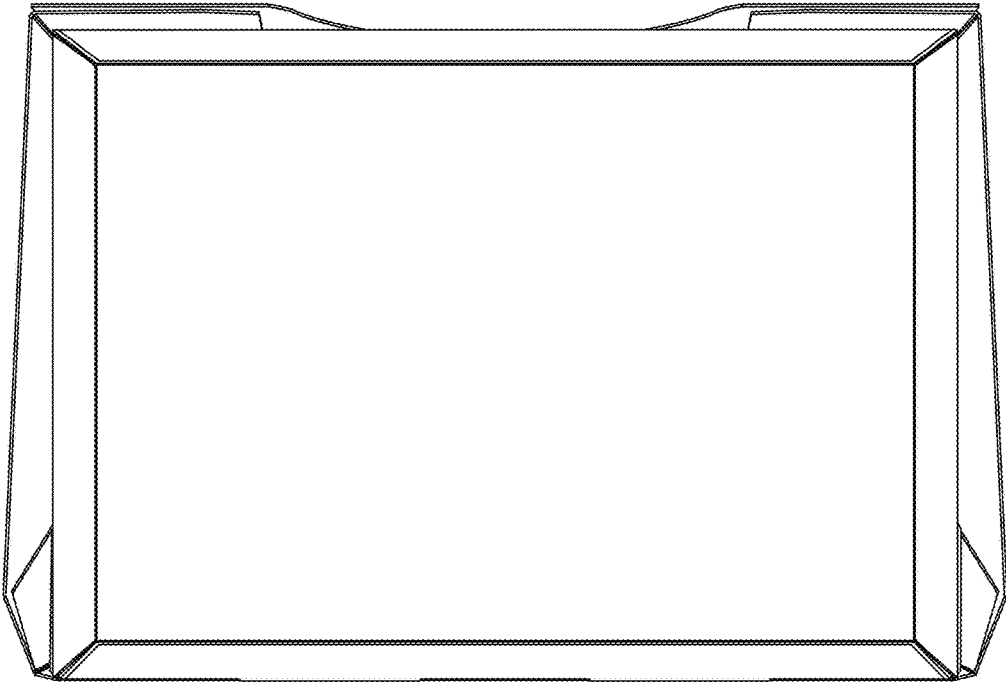


Fig. 8

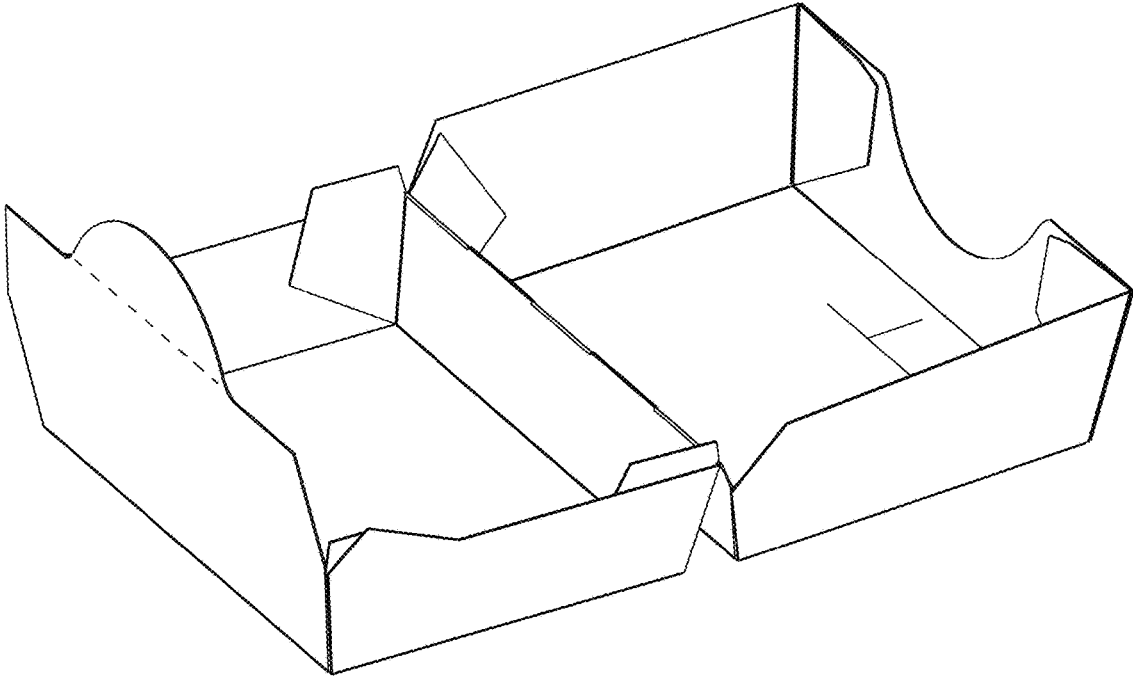


Fig. 9

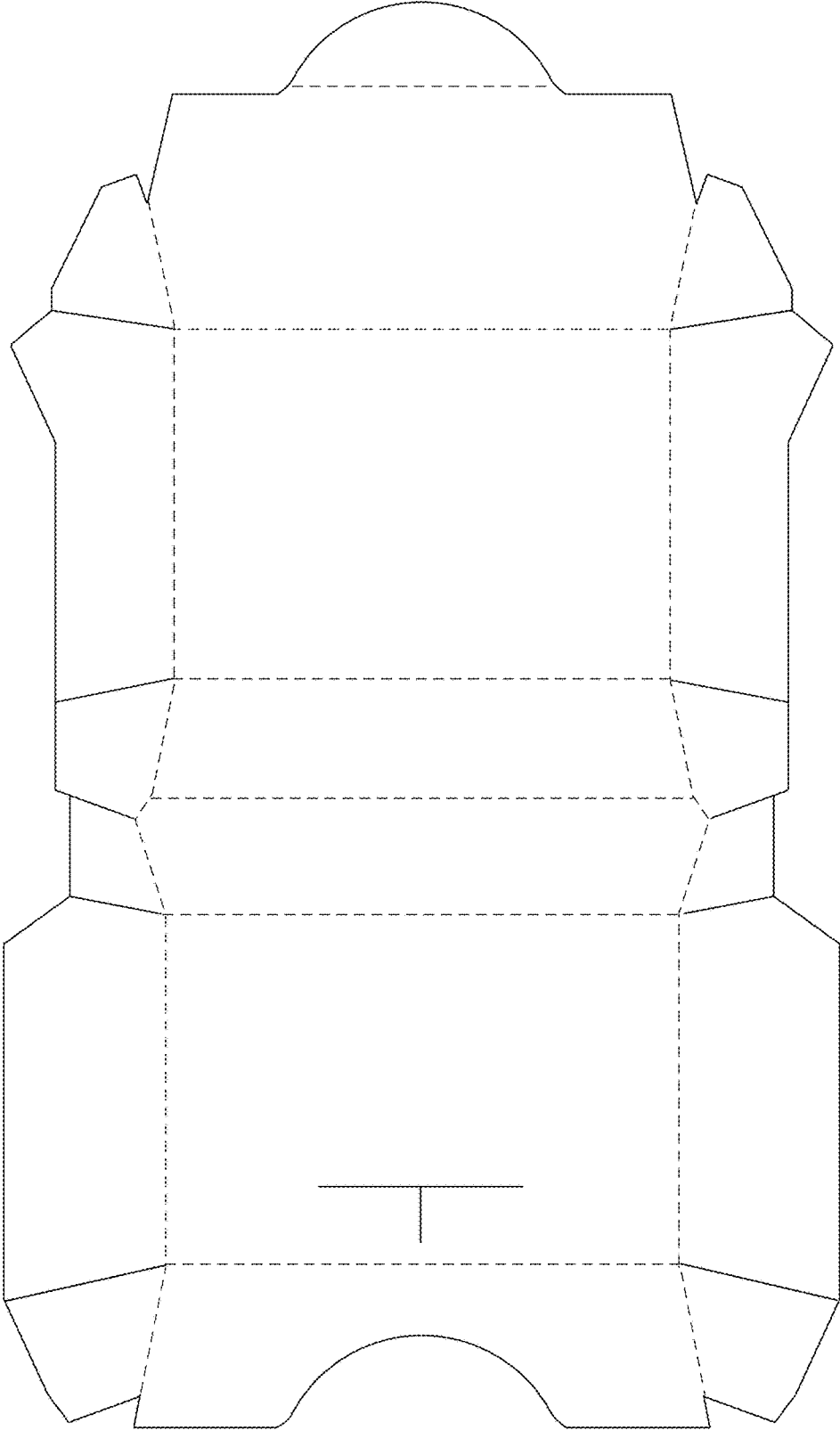


Fig. 10