



US00D443318S

(12) **United States Design Patent**
Tse

(10) **Patent No.:** **US D443,318 S**

(45) **Date of Patent:** **** Jun. 5, 2001**

(54) **TOY VEHICLE**

D. 425,141 * 5/2000 Park D21/550

(75) **Inventor:** **Cliff Wai Keung Tse, Chaiwan (HK)**

OTHER PUBLICATIONS

(73) **Assignee:** **Wah Hing Toys Development Co., Ltd., Kowloon (HK)**

Toys '88 Hong Kong Catalog, P89, 1988.*
Toys '89 Hong Kong Catalog, P283, 1989.*
Nylint Catalog, P18, 1995.*

(**) **Term:** **14 Years**

* cited by examiner

(21) **Appl. No.:** **29/132,508**

Primary Examiner—Raphael Barkai

(22) **Filed:** **Nov. 13, 2000**

(74) *Attorney, Agent, or Firm*—Leydig, Voit & Mayer, Ltd.

(51) **LOC (7) Cl.** **21-01**

(52) **U.S. Cl.** **D21/559**

(58) **Field of Search** D21/533, 548-560,
D21/419, 434, 433, 580; D12/82-83, 86,
88-92; 446/427, 428, 456, 465, 470; 280/1.13,
828, 87.021

(57) **CLAIM**

The ornamental design for a toy vehicle, as shown and described.

(56) **References Cited**

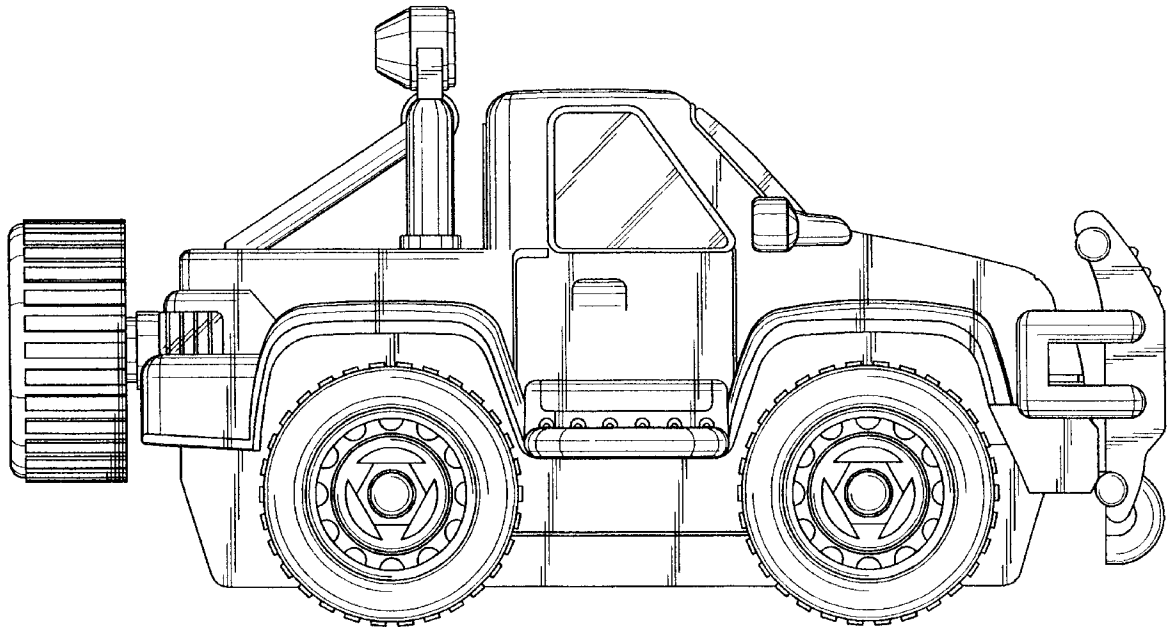
U.S. PATENT DOCUMENTS

- D. 274,632 * 7/1984 Terui D21/559
- D. 275,872 * 10/1984 Peter D21/559
- D. 277,494 * 2/1985 Lerch D21/559
- D. 281,000 * 10/1985 Kuna et al. D21/559
- D. 421,073 * 2/2000 Wei D21/552

DESCRIPTION

FIG. 1 is a front end elevational view of a toy vehicle showing my new design;
FIG. 2 is a rear end elevational view thereof;
FIG. 3 is a right side elevational view thereof;
FIG. 4 is a left side elevational view thereof;
FIG. 5 is a top plan view thereof; and,
FIG. 6 is a bottom plan view thereof.

1 Claim, 6 Drawing Sheets



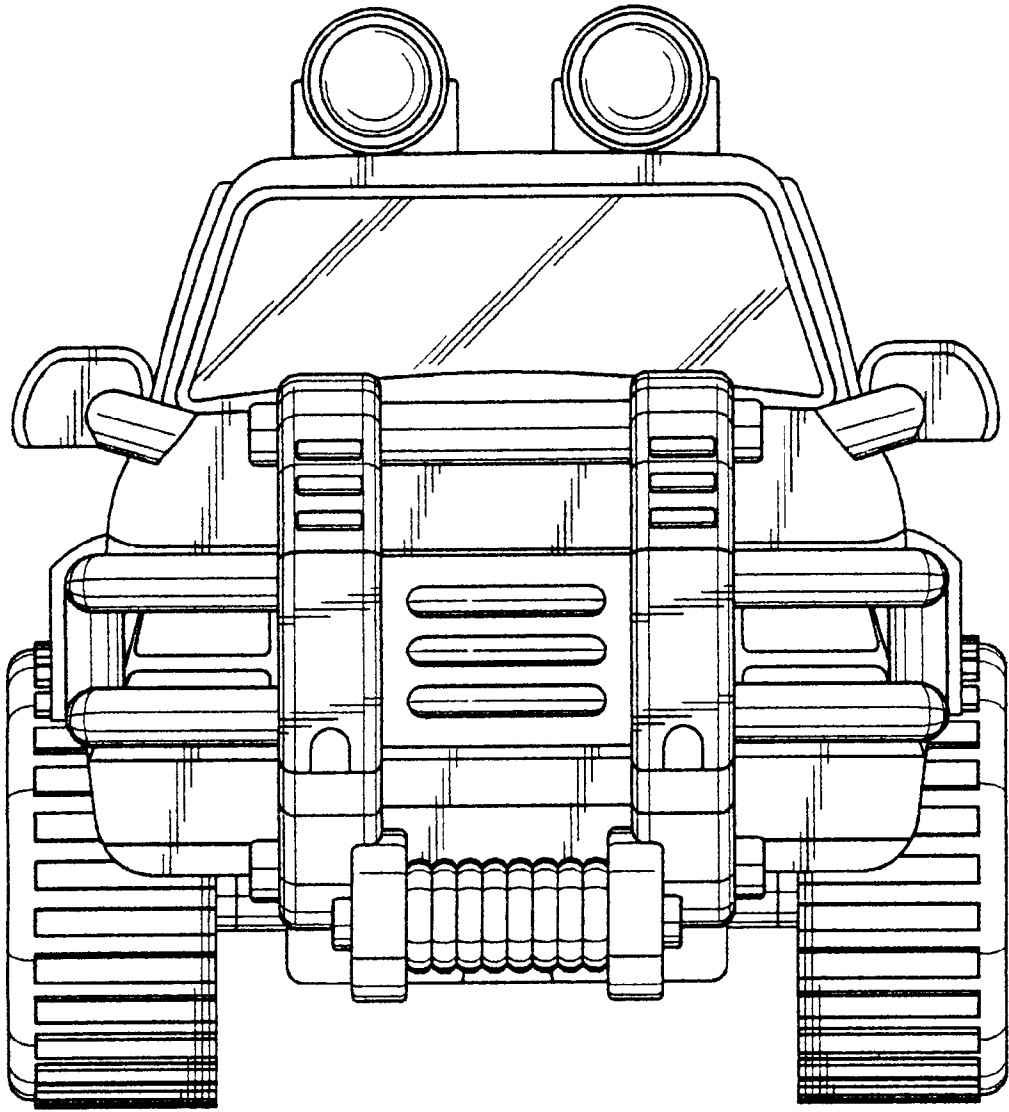


FIG. 1

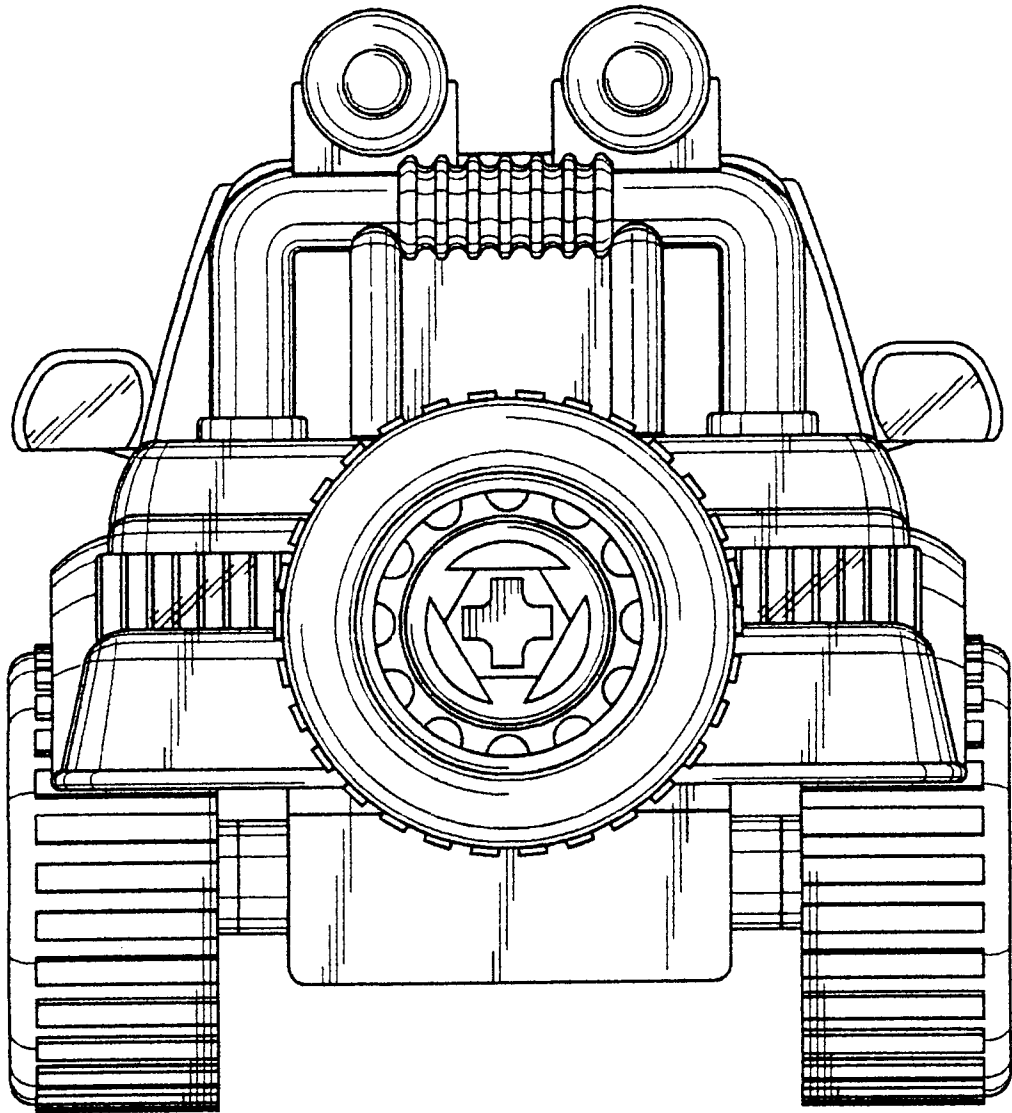


FIG. 2

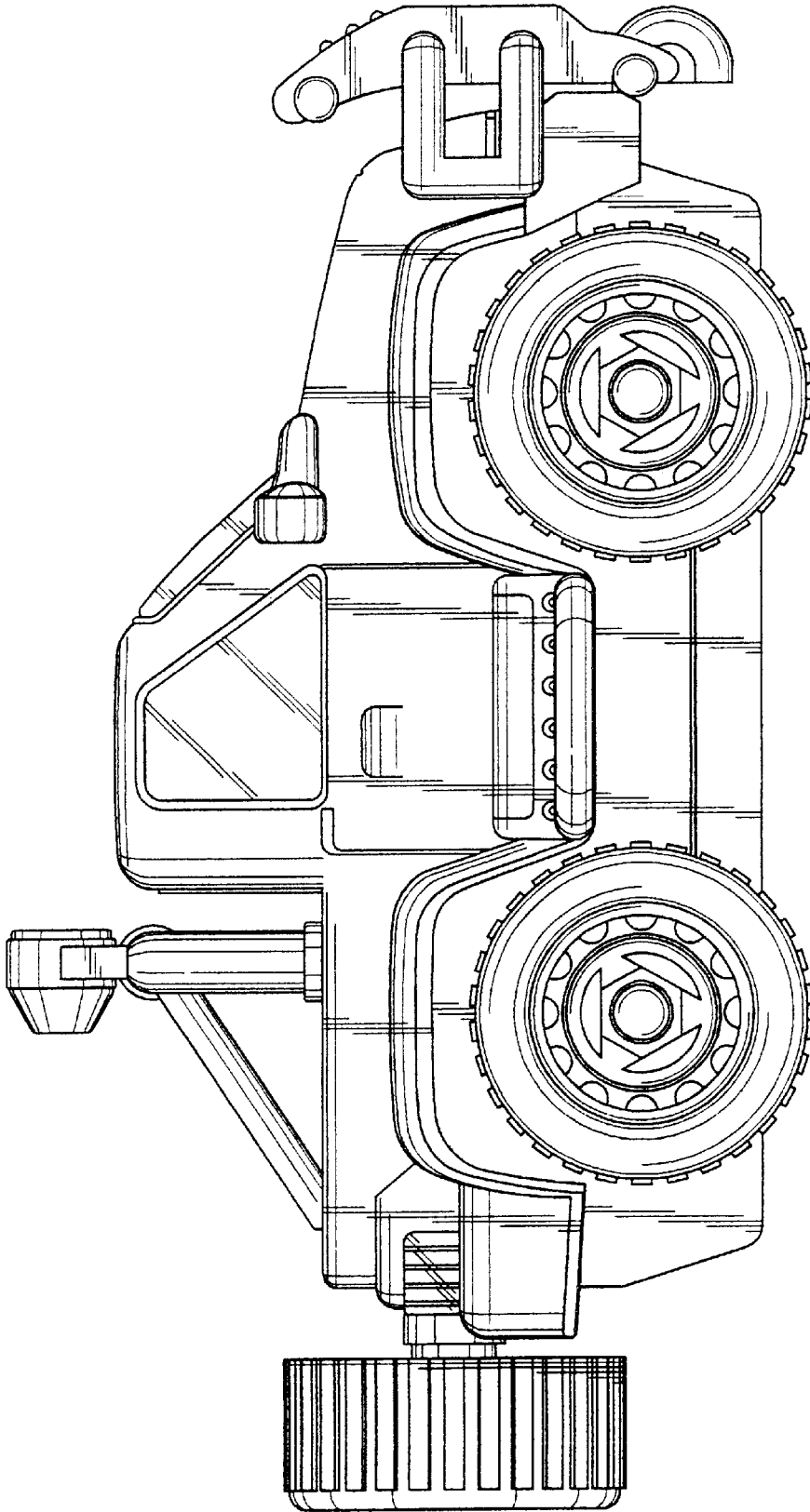


FIG. 3

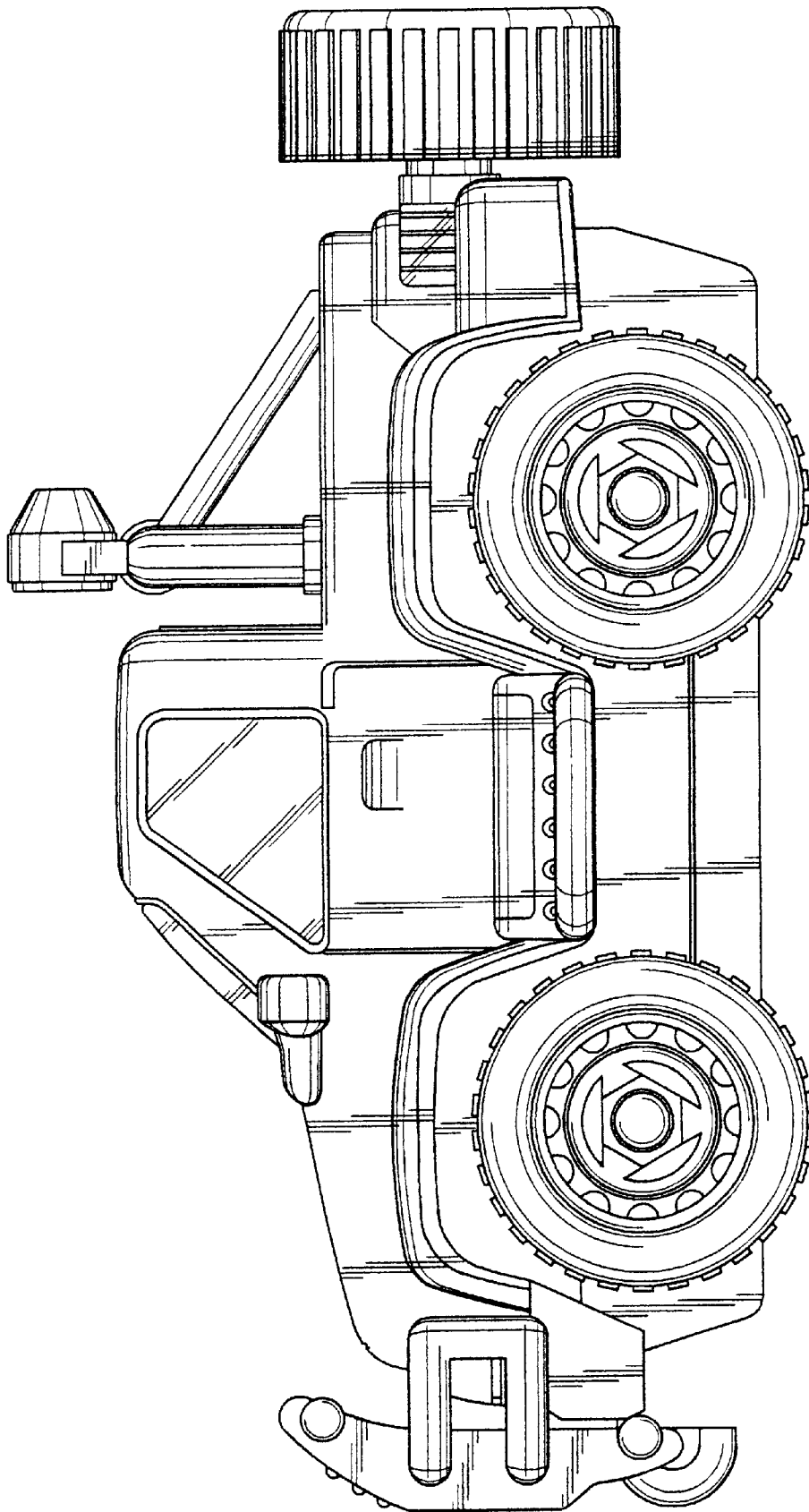


FIG. 4

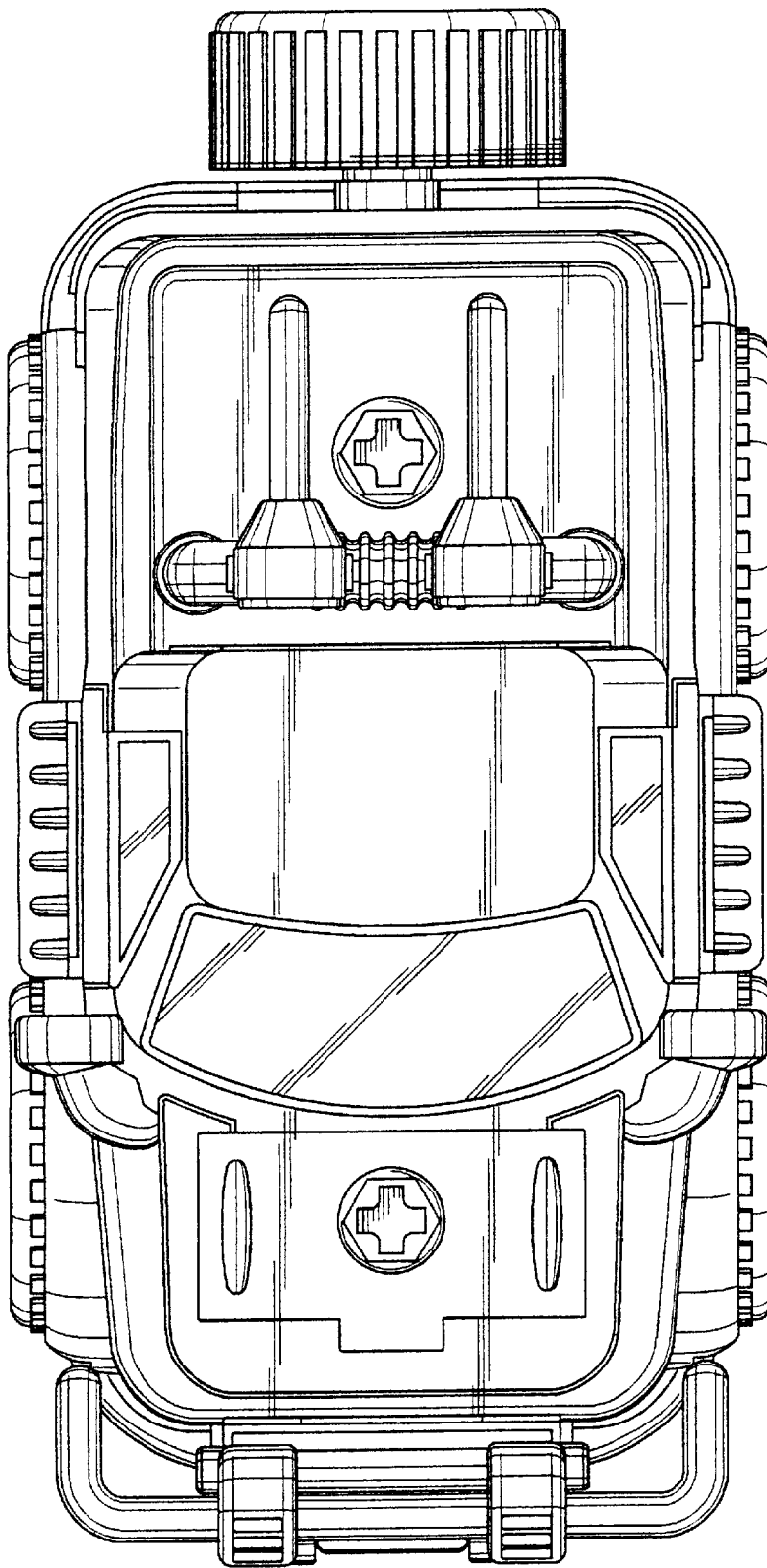


FIG. 5

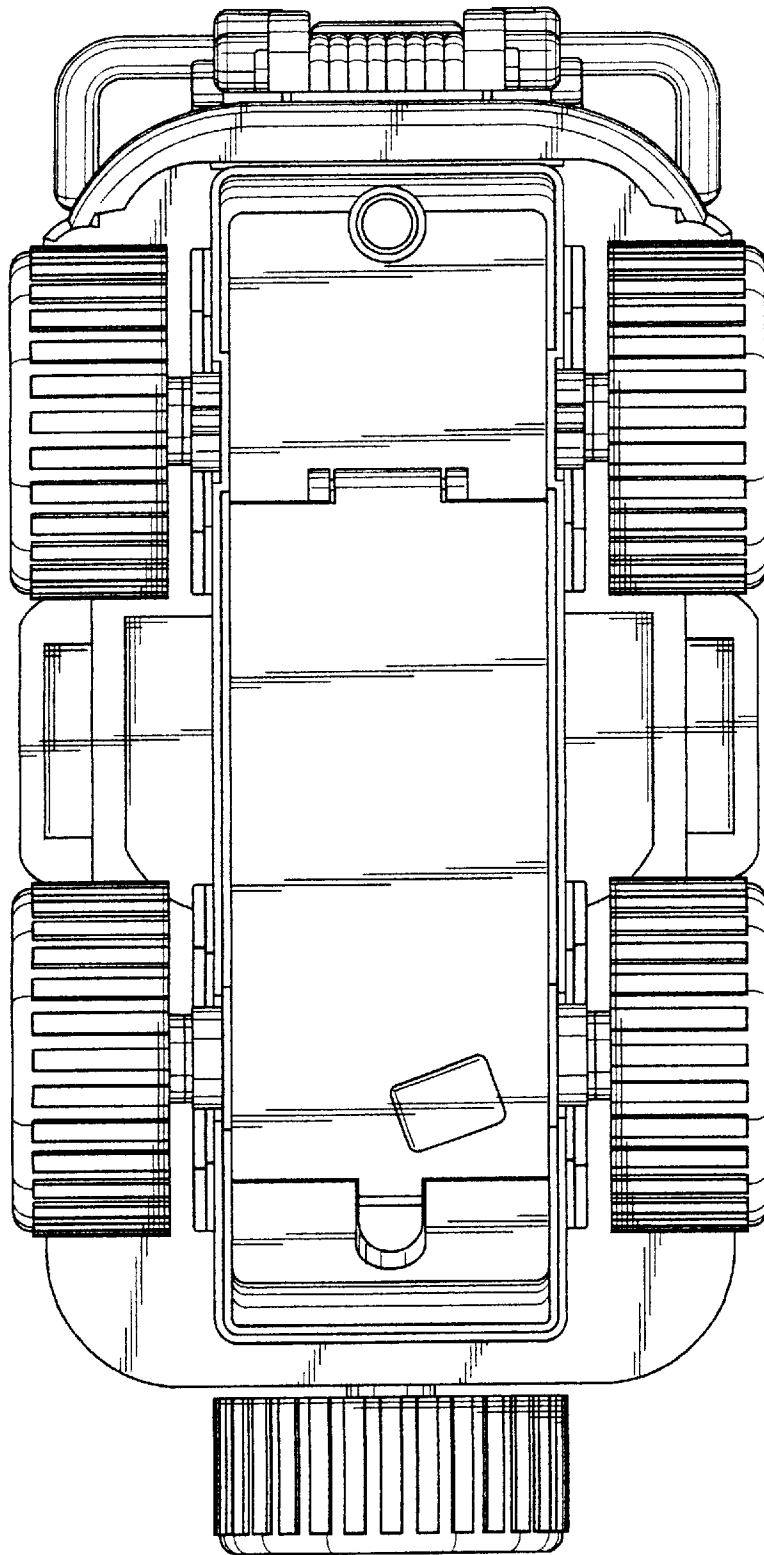


FIG. 6