



(12) **United States Design Patent**
Buogo et al.

(10) **Patent No.:** **US D779,329 S**
(45) **Date of Patent:** **** Feb. 21, 2017**

(54) **JAR**
(71) Applicant: **Reckitt Benckiser (Brands) Limited**,
Berkshire (GB)
(72) Inventors: **Alberto Buogo**, Berkshire (GB);
Richard Clough, Warwick (GB);
Samuel Guo, Guangdong (CN)
(73) Assignee: **RECKITT BENCKISER (BRANDS)**
LIMITED, Slough (GB)
(**) Term: **14 Years**

(21) Appl. No.: **29/509,630**
(22) Filed: **Nov. 19, 2014**

(30) **Foreign Application Priority Data**
May 21, 2014 (EM) 002468355-0001
Nov. 12, 2014 (EM) 002577064-0001

(51) **LOC (10) Cl.** **09-01**
(52) **U.S. Cl.**

USPC **D9/519**
(58) **Field of Classification Search**
USPC D9/519, 529, 530, 535-537, 549, 558,
D9/574; D28/76, 82, 91; 215/206, 220,
215/222, 660, 675, 669-673; 222/548;
239/58; 392/392, 394
CPC A47K 10/421; B65B 5/04; B65B 7/16;
B65D 1/10; B65D 1/26; B65D 1/30;
B65D 1/40; B65D 6/28; B65D 11/02;
B65D 21/086; B65D 77/2024; B65D
85/72

See application file for complete search history.

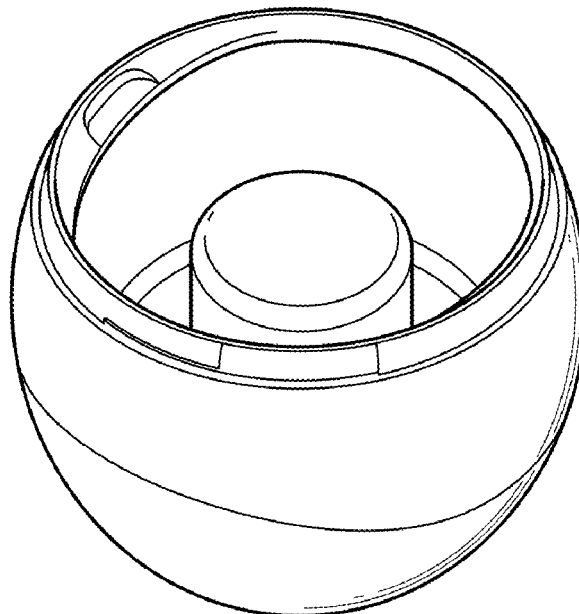
(56) **References Cited**
U.S. PATENT DOCUMENTS
D480,000 S * 9/2003 Hirato D9/504
D504,615 S * 5/2005 Papiernik D9/519
D579,776 S * 11/2008 Hirato D9/504
D624,426 S * 9/2010 Currington D9/435
D627,650 S * 11/2010 Yeung D28/9
D650,280 S * 12/2011 de Peyerimhoff D9/454
D651,903 S * 1/2012 Teller D9/521
D655,168 S * 3/2012 In D9/504
D660,711 S * 5/2012 Watabe D9/529
D664,853 S * 8/2012 Kipry D28/73

* cited by examiner
Primary Examiner — Ian Simmons
Assistant Examiner — Janice Lim
(74) *Attorney, Agent, or Firm* — Troutman Sanders LLP;
Ryan Schneider

(57) **CLAIM**
The ornamental design for a jar, as shown and described.

DESCRIPTION
FIG. 1 is a perspective view of a jar, showing our new design;
FIG. 2 is a front view thereof;
FIG. 3 is a back view thereof;
FIG. 4 is a side view thereof;
FIG. 5 is an opposite side view thereof;
FIG. 6 is a top plan view thereof; and,
FIG. 7 is a bottom plan view thereof.
The broken line portions are included to show unclaimed subject matter only and form no part of the claimed design.

1 Claim, 7 Drawing Sheets



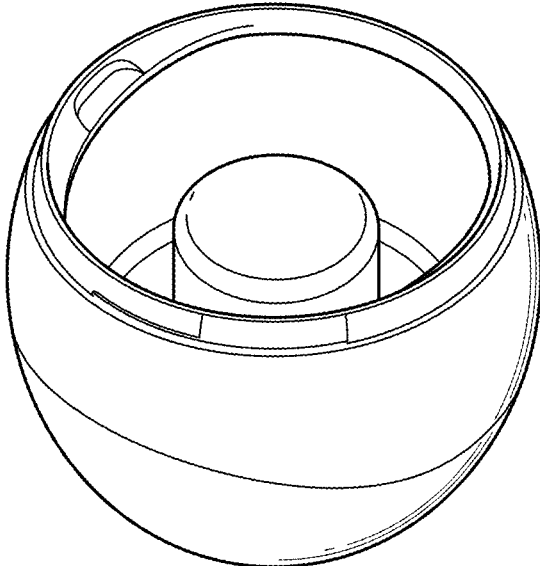


Fig. 1

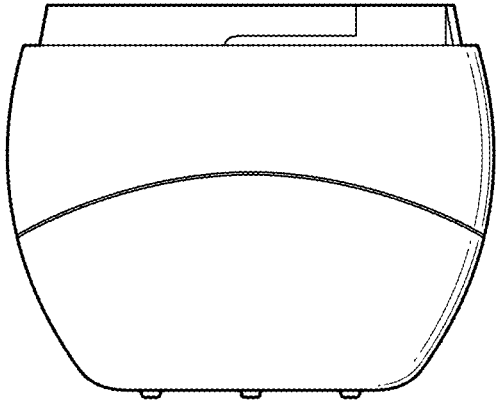


Fig. 2

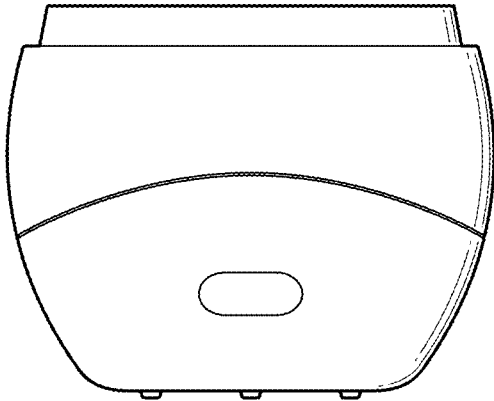


Fig. 3

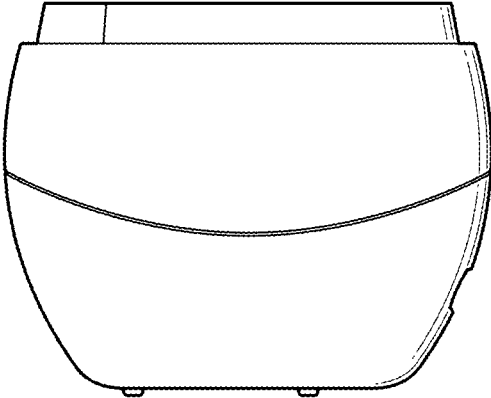


Fig. 4

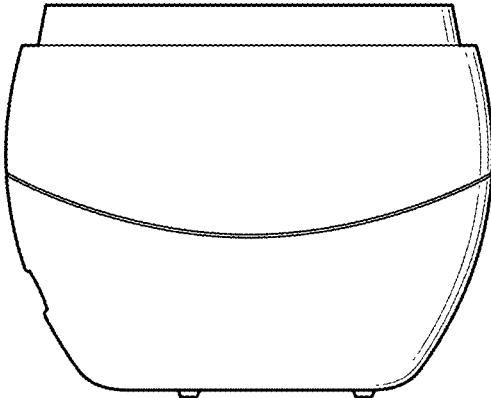


Fig. 5

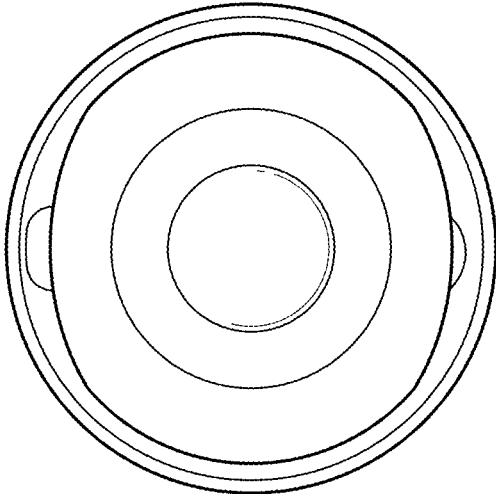


Fig. 6

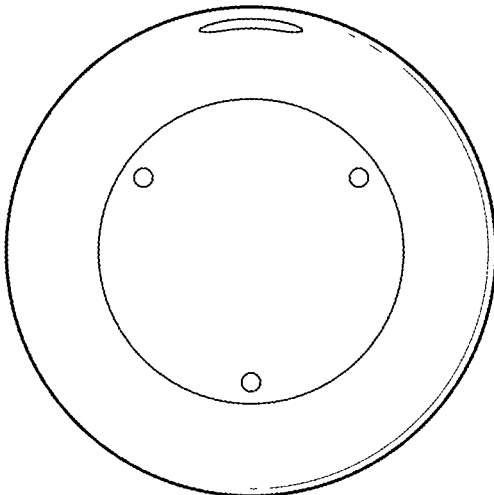


Fig. 7