



US00D752406S

(12) **United States Design Patent**
Kanda

(10) **Patent No.:** **US D752,406 S**

(45) **Date of Patent:** **** Mar. 29, 2016**

- (54) **PORTABLE ELECTRIC POWER SAW**
- (71) Applicant: **Hitachi Koki Co., Ltd.**, Minato-Ku, Tokyo (JP)
- (72) Inventor: **Ibuki Kanda**, Hitachinaka (JP)
- (73) Assignee: **Hitachi Koki Co., Ltd.**, Minato-Ku, Tokyo (JP)
- (**) Term: **14 Years**
- (21) Appl. No.: **29/519,677**
- (22) Filed: **Mar. 6, 2015**
- (30) **Foreign Application Priority Data**
 Sep. 5, 2014 (JP) 2014-019706
- (51) **LOC (10) Cl.** **08-03**
- (52) **U.S. Cl.**
 USPC **D8/64**
- (58) **Field of Classification Search**
 USPC D8/69, 68, 67, 66, 65, 64, 62, 61;
 30/92, 394, 393, 392, 377, 376, 371;
 74/50, 49; 173/217, 216; 83/699.21;
 446/145
 CPC B26B 7/00; B23D 51/16; B23D 51/10;
 B25F 5/02; B62B 7/00
 See application file for complete search history.

D534,778 S *	1/2007	Chu	D8/64
7,168,169 B2 *	1/2007	Moreno	B23D 51/16
				173/114
D545,657 S *	7/2007	Yamamoto	D8/64
D551,046 S *	9/2007	Yamamoto	D8/64
D551,930 S *	10/2007	Yamada	D8/64
D558,018 S *	12/2007	McRoberts	D8/64
D591,574 S *	5/2009	DiPasquale	D8/64
D596,005 S *	7/2009	Schoch	D8/64
8,166,660 B2 *	5/2012	Zhou	B23D 49/167
				30/392
8,307,910 B2 *	11/2012	Holmes	B23D 49/165
				173/19
D685,242 S *	7/2013	Vitantonio	D8/64
D688,928 S *	9/2013	Busschaert	D8/64
D705,028 S *	5/2014	Vitantonio	D8/64
D705,627 S *	5/2014	Schoch	D8/64

* cited by examiner

Primary Examiner — Austin Murphy
(74) *Attorney, Agent, or Firm* — Banner & Witcoff, Ltd.

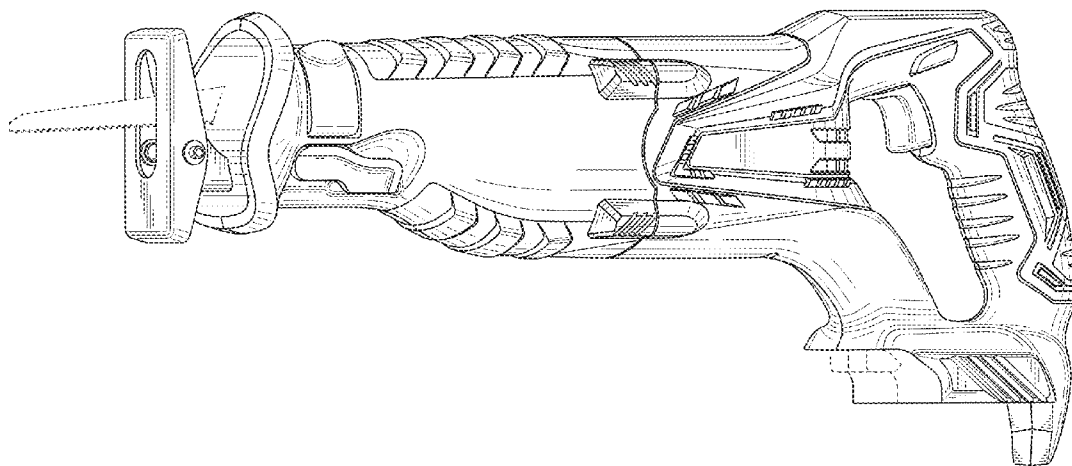
(57) **CLAIM**
The ornamental design for a portable electric power saw, as shown and described.

DESCRIPTION

FIG. 1 is a front, left, upper perspective view of a portable electric power saw showing my new design;
FIG. 2 is a front view thereof;
FIG. 3 is a rear view thereof;
FIG. 4 is a right side view thereof;
FIG. 5 is a left side view thereof;
FIG. 6 is a top plan view thereof; and,
FIG. 7 is a bottom view thereof.

1 Claim, 5 Drawing Sheets

- (56) **References Cited**
 U.S. PATENT DOCUMENTS
 D527,596 S * 9/2006 Andriolo D8/64
 D527,597 S * 9/2006 Andriolo D8/64



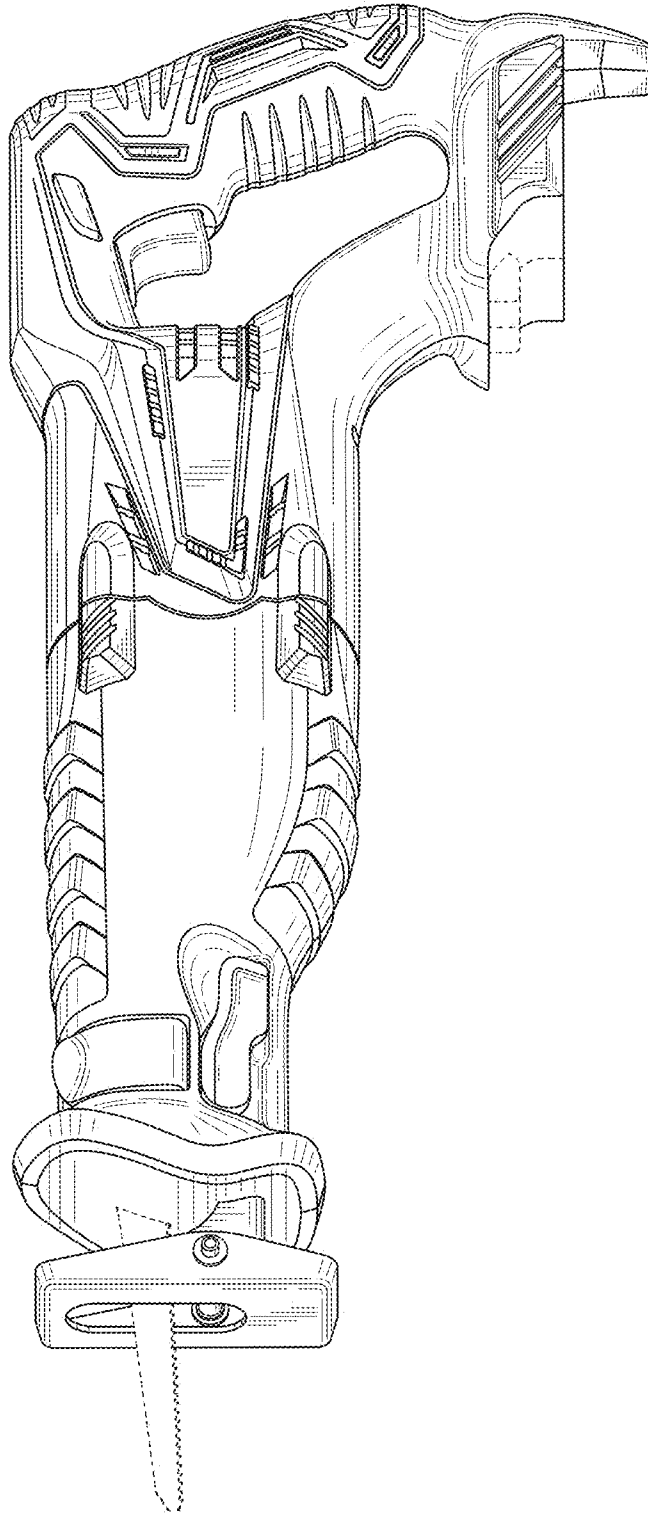


FIG. 1

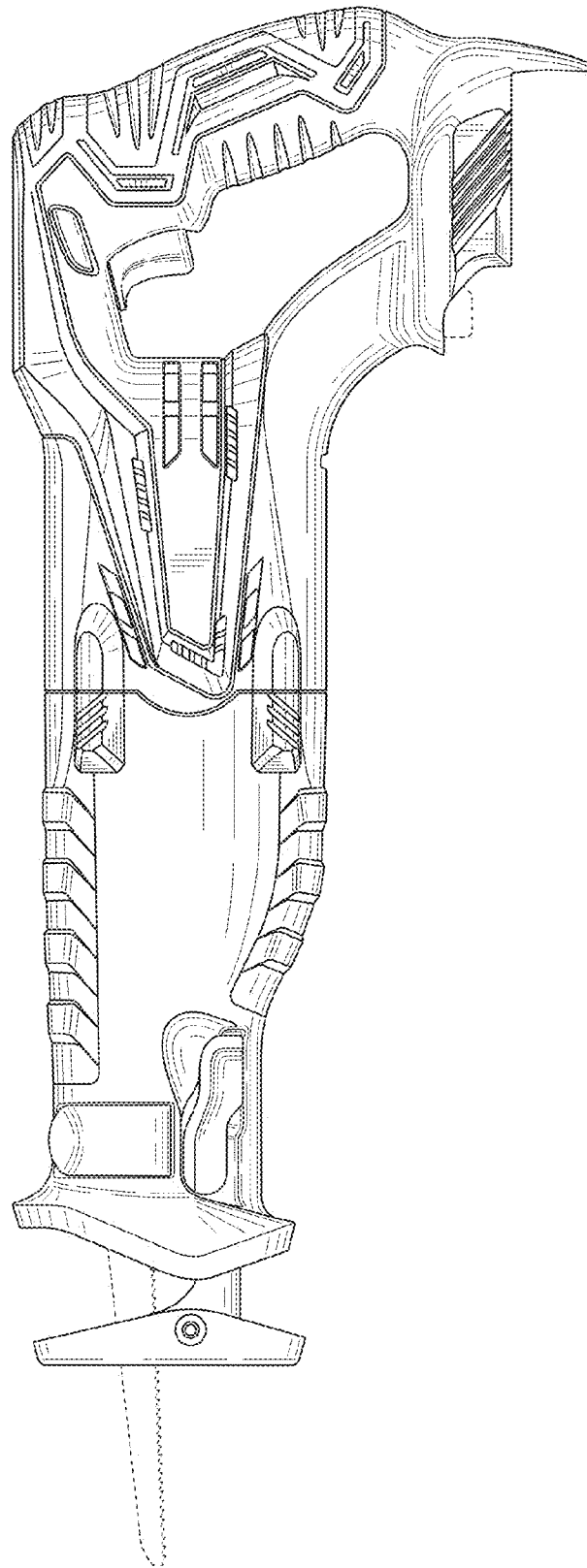


FIG. 2

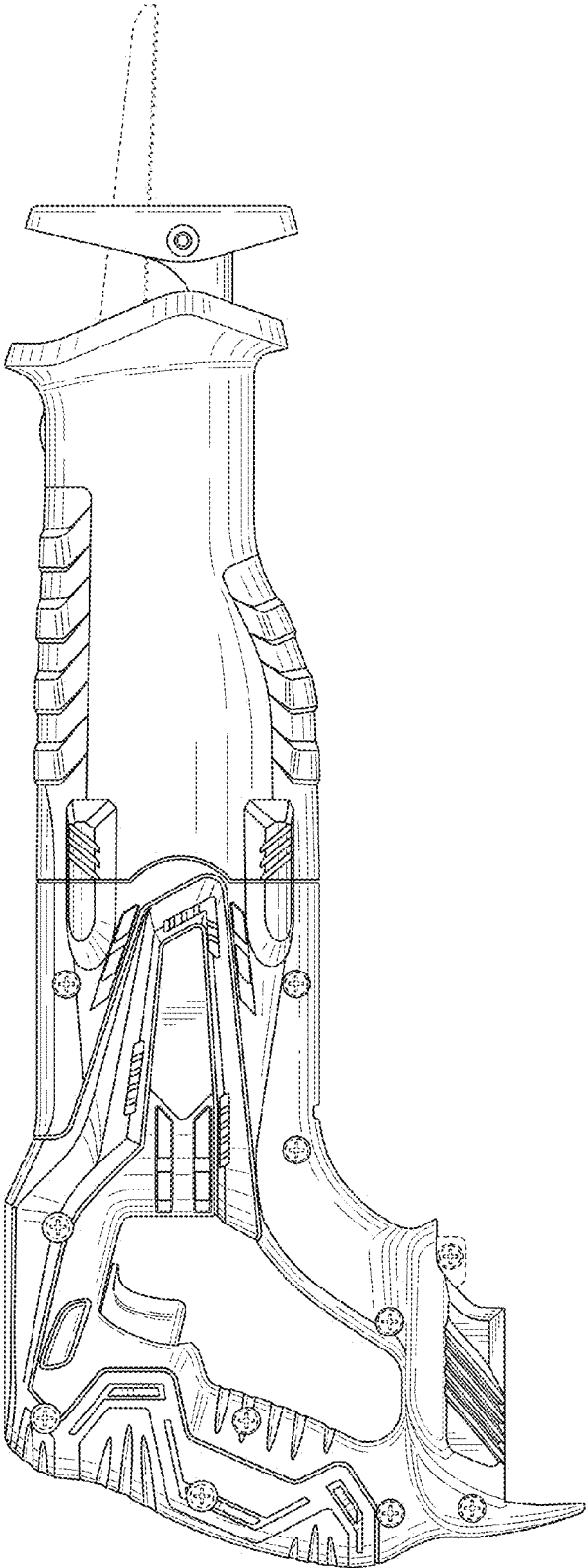


FIG. 3

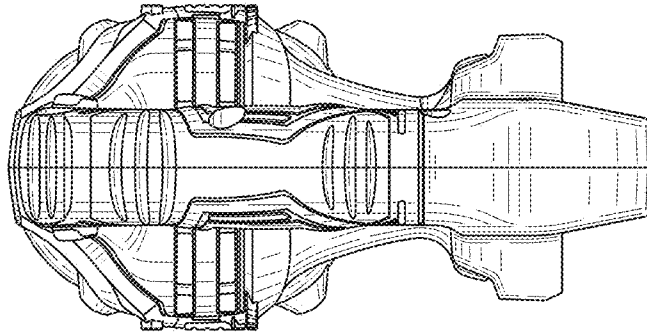


FIG. 5

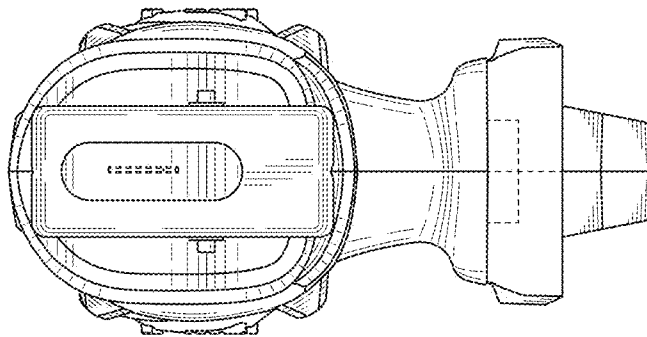


FIG. 4

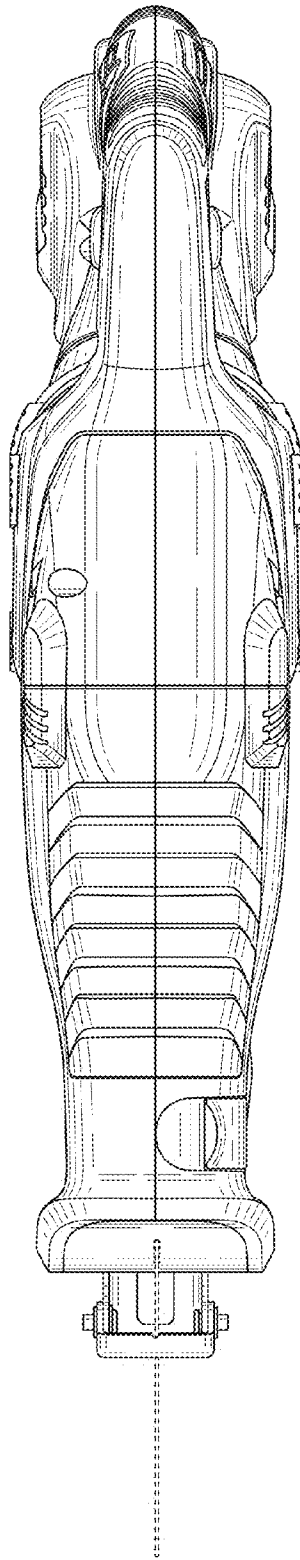


FIG. 6

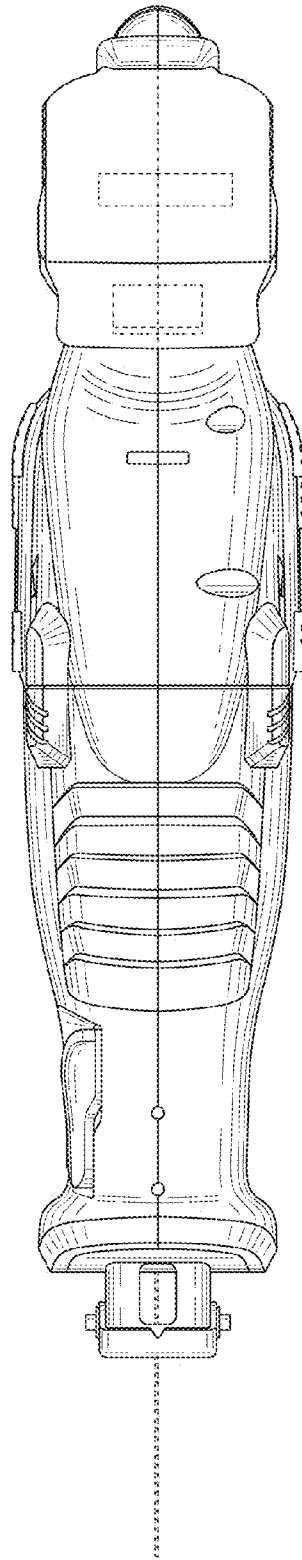


FIG. 7