



US00D451170B1

(12) **United States Design Patent**  
**Lindholm et al.**

(10) **Patent No.:** **US D451,170 S**

(45) **Date of Patent:** **\*\* Nov. 27, 2001**

(54) **CLASSIC STANDARD WALL-MOUNT SHOWER HEAD**

726811 8/1996 (EP) .  
873808 7/1942 (FR) .  
1039750 10/1953 (FR) .  
2066704 7/1981 (GB) .

(75) Inventors: **Jon W. Lindholm**, Chicago; **Antonio J. Belton**, Hazel Crest, both of IL (US)

**OTHER PUBLICATIONS**

(73) Assignee: **Water Pik, Inc.**, Fort Collins, CO (US)

Color Copy, Labeled 1A, Gemlo, available at least as early as the filing date.

(\*\*) Term: **14 Years**

Color Copy, Labeled 1B, Gemlo, available at least as early as the filing date.

(21) Appl. No.: **29/133,987**

*Primary Examiner*—Robin V. Taylor

(22) Filed: **Dec. 12, 2000**

(74) *Attorney, Agent, or Firm*—Dorsey & Whitney LLP

(51) **LOC (7) Cl.** ..... **23-01**

(52) **U.S. Cl.** ..... **D23/229**

(58) **Field of Search** ..... D23/213, 223, D23/226, 229, 230; 239/461, 462, 394

(57) **CLAIM**

The ornamental design for a classic standard wall-mount shower head, as shown and described.

(56) **References Cited**

**DESCRIPTION**

**U.S. PATENT DOCUMENTS**

FIG. 1 is a right-side perspective view of a classic standard wall-mount shower head showing our new design;  
FIG. 2 is a front elevation view thereof;  
FIG. 3 is a left side elevation view thereof, of which the right side elevation view is a mirror image;  
FIG. 4 is a top plan view thereof;  
FIG. 5 is a rear elevation view thereof; and,  
FIG. 6 is a bottom plan view thereof.

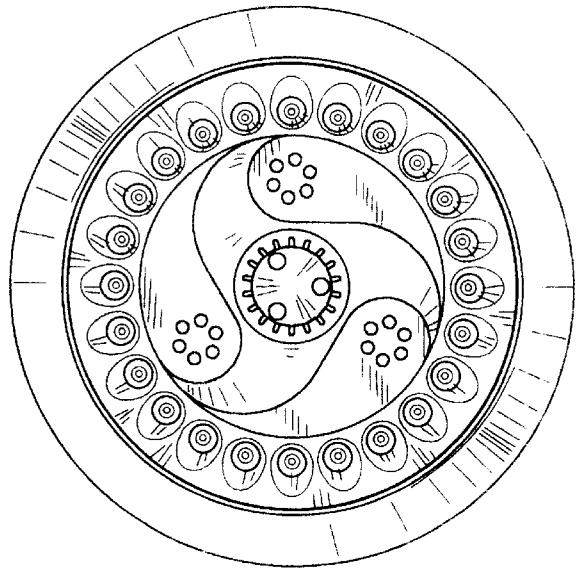
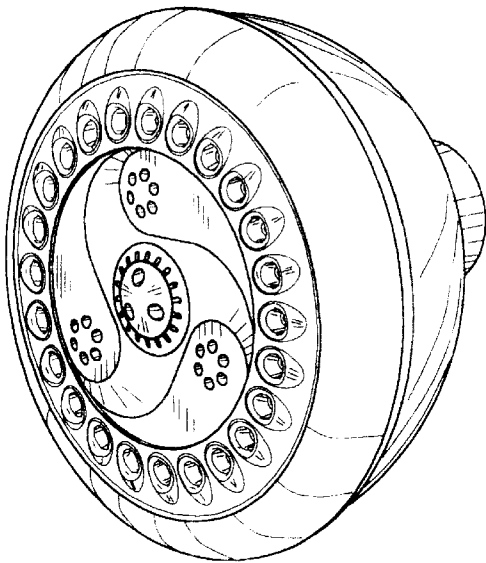
D. 126,433	4/1941	Enthof .	
204,333	5/1878	Josias .	
D. 237,708	11/1975	Grohe et al. ....	D23/35
D. 245,858	9/1977	Grube .....	D23/35
D. 245,860	9/1977	Grube .....	D23/35
D. 251,045	2/1979	Grube .	

(List continued on next page.)

**FOREIGN PATENT DOCUMENTS**

3440901 7/1985 (DE) .

**1 Claim, 3 Drawing Sheets**



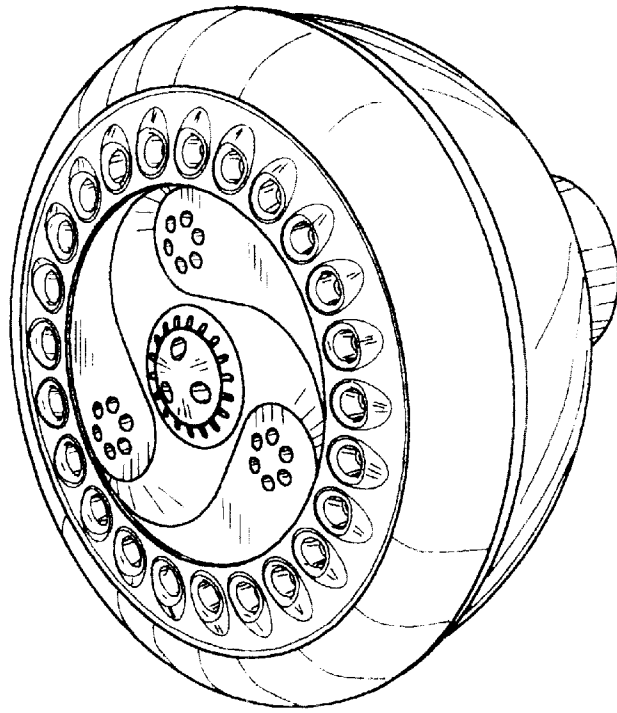
# US D451,170 S

Page 2

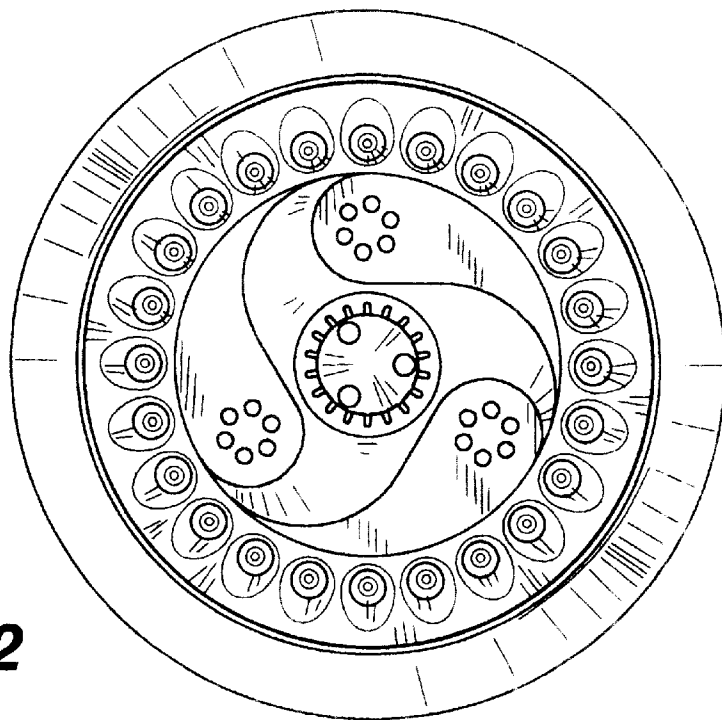
## U.S. PATENT DOCUMENTS

D. 255,626	7/1980	Grube .		2,216,149	10/1940	Weiss .	
D. 258,677	3/1981	Larsson .		2,567,642	9/1951	Penshaw .....	299/141
D. 261,300	10/1981	Klose .....	D23/35	3,098,508	7/1963	Gerdes .....	137/625.32
D. 261,417	10/1981	Klose .....	D23/213	3,404,410	10/1968	Sumida .	
D. 266,212	9/1982	Haug .		3,550,863	12/1970	McDermott .....	239/562
D. 267,582	1/1983	Mackay et al. .		3,826,454	7/1974	Zieger .	
D. 268,611	4/1983	Klose .		3,865,310	2/1975	Elkins et al. .	
D. 274,457	6/1984	Haug .		3,967,783	7/1976	Halsted et al. ....	239/447
D. 295,437	4/1988	Fabian .		3,979,096	9/1976	Zieger .	
D. 296,582	7/1988	Haug et al. .		3,998,390	12/1976	Peterson et al. ....	239/443
D. 313,267	12/1990	Lenci et al. ....	D23/213	4,081,135	3/1978	Tomaro .....	239/102
D. 315,191	3/1991	Mikol .....	D23/213	4,084,271	4/1978	Ginsberg .....	4/161
D. 317,348	6/1991	Geneve et al. .		4,091,998	5/1978	Peterson .	
D. 322,119	12/1991	Haug et al. .		4,117,979	10/1978	Lagarelli et al. ....	239/449
D. 323,545 *	1/1992	Ward .....	D23/213	4,151,955	5/1979	Stouffer .....	239/111
D. 325,769	4/1992	Haug et al. ....	D23/213	4,151,957	5/1979	Gecewicz et al. ....	239/381
D. 325,770	4/1992	Haug et al. ....	D23/213	4,165,837	8/1979	Rundzaitis .....	239/449
D. 326,311	5/1992	Lenci et al. ....	D23/223	4,174,822	11/1979	Larsson .	
D. 327,729	7/1992	Rogers .....	D23/223	4,209,132	6/1980	Kwan .....	239/381
D. 330,409	10/1992	Raffo .		4,254,914	3/1981	Shames et al. ....	239/383
D. 332,303	1/1993	Klose .		4,303,201	12/1981	Elkins et al. ....	239/391
D. 332,994	2/1993	Huen .....	D23/223	4,319,608	3/1982	Raikov et al. ....	251/126
D. 333,339	2/1993	Klose .		4,614,303	9/1986	Moseley, Jr. et al. ....	239/499
D. 334,794	4/1993	Klose .		4,657,185	4/1987	Rundzaitis .....	239/438
D. 339,492	9/1993	Klose .		4,703,893	11/1987	Gruber .....	239/391
D. 339,627	9/1993	Klose .		4,719,654	1/1988	Blessing .	
D. 339,848	9/1993	Gottwald .		4,754,928	7/1988	Rogers et al. ....	239/381
D. 340,376	10/1993	Klose .		4,787,591	11/1988	Villacorta .	
D. 341,007	11/1993	Haug et al. .		4,914,759	4/1990	Goff .	
D. 341,191	11/1993	Klose .		4,953,585	9/1990	Rollini et al. ....	137/218
D. 347,265	5/1994	Gottwald .		4,964,573	10/1990	Lipski .	
D. 348,720	7/1994	Haug et al. ....	D23/223	5,033,897	7/1991	Chen .....	137/218
D. 349,947	8/1994	Hing-Wah .....	D23/223	5,141,016	8/1992	Nowicki .....	137/872
D. 352,347	11/1994	Dannenburg .....	D23/223	5,172,866	12/1992	Ward .....	239/446
D. 355,703	2/1995	Duell .		5,232,162	8/1993	Chih .....	239/394
D. 361,623	8/1995	Huen .		5,246,169	9/1993	Heimann et al. ....	239/447
D. 367,315	2/1996	Andrus .		5,265,833	11/1993	Heimann et al. .	
D. 367,696	3/1996	Andrus .....	D23/223	5,277,391	1/1994	Haug et al. .	
D. 369,204	4/1996	Andrus .		5,294,054	3/1994	Benedict et al. ....	239/446
D. 369,205	4/1996	Andrus .		5,297,735	3/1994	Heimann et al. .	
D. 370,052	5/1996	Chan et al. ....	D23/223	5,340,064	8/1994	Heimann et al. .	
D. 374,271	10/1996	Fleischmann .		5,344,080	9/1994	Matsui .....	239/449
D. 375,541	11/1996	Michaluk .....	D23/213	5,397,064	3/1995	Heitzman .....	239/381
D. 381,737	7/1997	Chan .....	D23/223	5,398,872	3/1995	Joubran .....	239/99
D. 382,936	8/1997	Shfaram .		5,433,384	7/1995	Chan et al. .	
D. 385,332	10/1997	Andrus .		5,476,225	12/1995	Chan .	
D. 385,333	10/1997	Caroen et al. .		5,481,765	1/1996	Wang .	
D. 385,616 *	10/1997	Dow et al. ....	D23/213	5,499,767	3/1996	Morand .....	239/383
D. 385,947	11/1997	Dow et al. ....	D23/223	5,507,436	4/1996	Ruttenberg .....	239/1
D. 387,230	12/1997	von Beulow et al. .		5,551,637	9/1996	Lo .....	239/394
D. 389,558	1/1998	Andrus .		5,558,278	9/1996	Gallorini .....	239/553.3
D. 395,074	6/1998	Neibrook .....	D23/229	5,577,664	11/1996	Heitzman .....	239/99
D. 408,893 *	4/1999	Tse .....	D23/229	5,613,639	3/1997	Storm et al. ....	239/581.1
D. 434,109 *	11/2000	Ko .....	D23/229	5,632,049	5/1997	Chen .	
D. 435,889 *	1/2001	Ben-Tsur et al. ....	D23/229	5,653,260	8/1997	Huber .	
D. 443,025 *	5/2001	Kollmann et al. ....	D23/229	5,704,080	1/1998	Kuhne .	
D. 443,029 *	5/2001	Kollmann et al. ....	D23/229	5,718,380	2/1998	Schorn et al. ....	239/117
566,384	8/1896	Engelhart .		5,749,552	5/1998	Fan .	
1,203,466	10/1916	Benson .		5,918,811	7/1999	Denham et al. ....	239/444
1,459,582	6/1923	Dubee .					

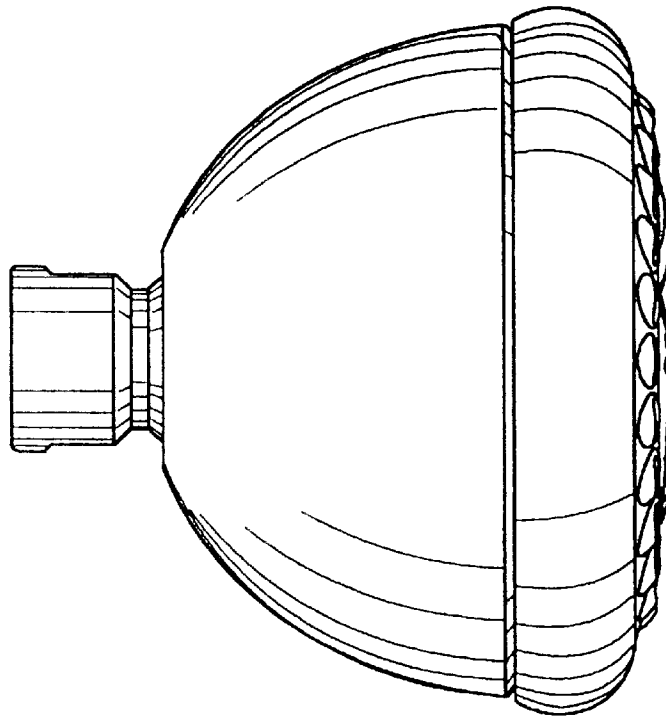
\* cited by examiner



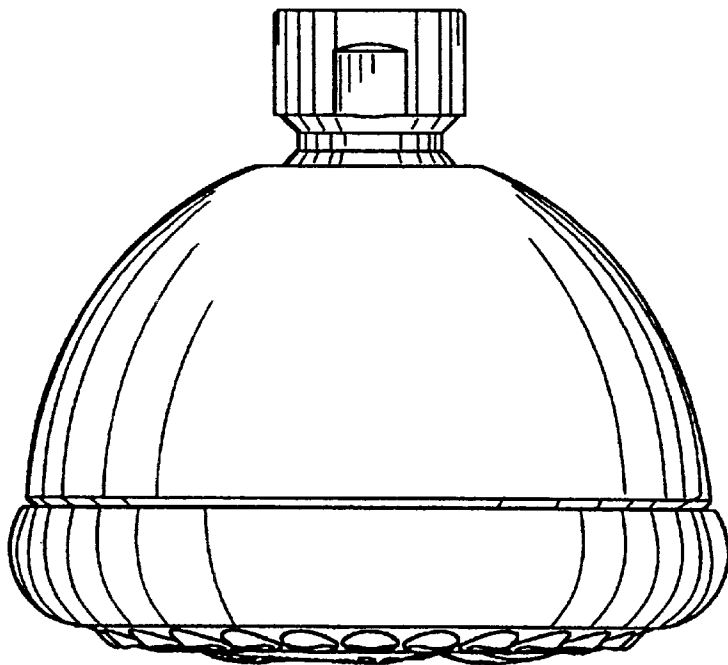
**Fig. 1**



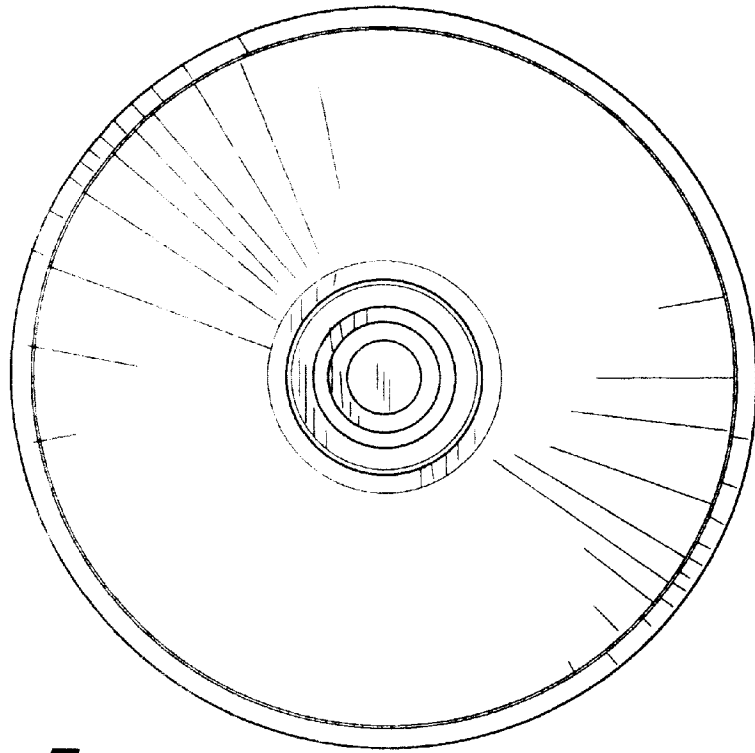
**Fig. 2**



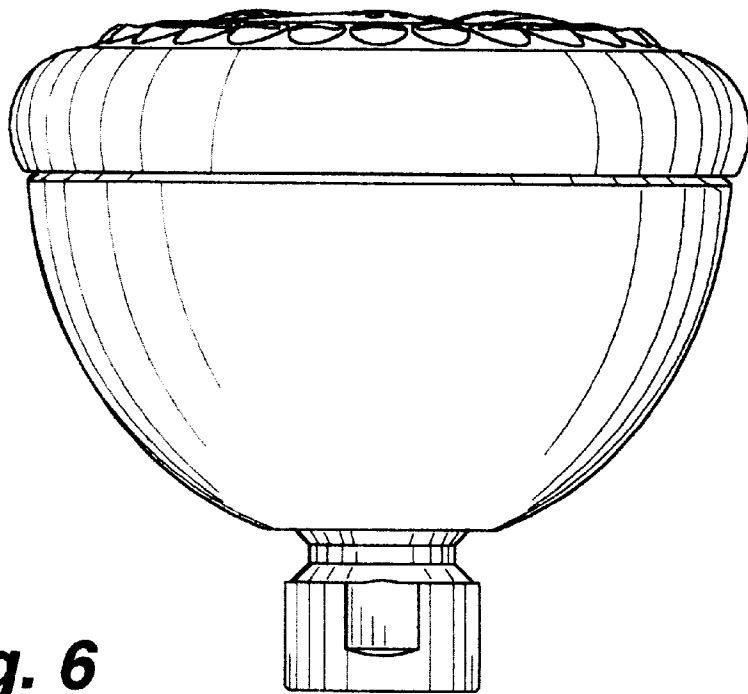
**Fig. 3**



**Fig. 4**



**Fig. 5**



**Fig. 6**