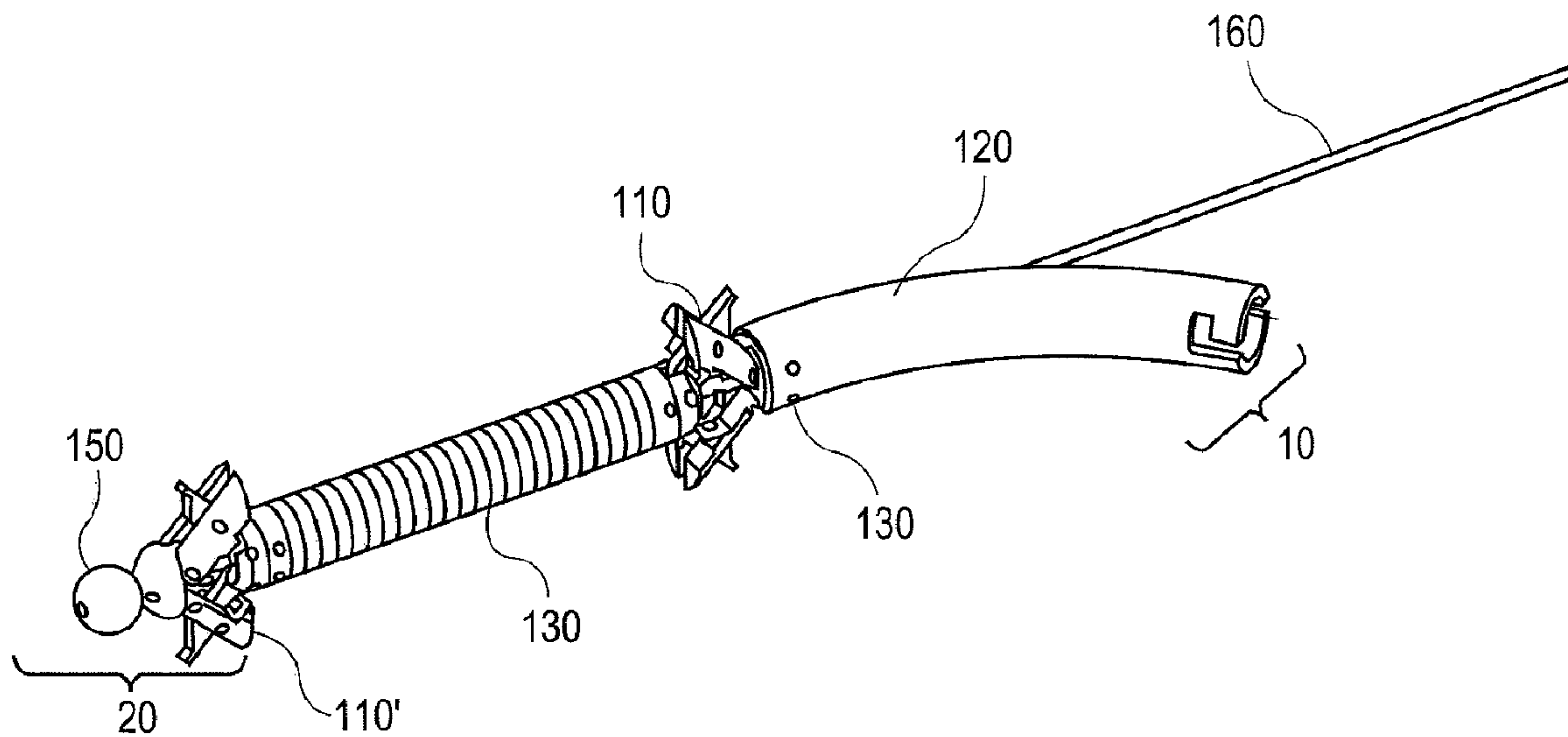




(86) Date de dépôt PCT/PCT Filing Date: 2007/11/21
 (87) Date publication PCT/PCT Publication Date: 2008/05/29
 (85) Entrée phase nationale/National Entry: 2009/05/14
 (86) N° demande PCT/PCT Application No.: US 2007/085451
 (87) N° publication PCT/PCT Publication No.: 2008/064346
 (30) Priorités/Priorities: 2006/11/22 (US60/866,976);
 2006/11/22 (US60/867,011); 2007/07/11 (US60/949,071)

(51) Cl.Int./Int.Cl. *A61B 17/68* (2006.01),
A61B 17/72 (2006.01), *A61B 17/88* (2006.01)
 (71) Demandeur/Applicant:
 SONOMA ORTHOPEDIC PRODUCTS, INC., US
 (72) Inventeurs/Inventors:
 SARAVIA, HERBER, US;
 HAUCK, BRIAN A., US;
 PHAM, TRUNG, US;
 NELSON, CHARLES L., US;
 ANDERSON, ARTHUR E., III, US;
 BOWEN, WILLIAM W., US;
 MCDANIEL, STEPHEN R., US
 (74) Agent: FETHERSTONHAUGH & CO.

(54) Titre : DISPOSITIF, OUTILS ET PROCEDES DE FIXATION DE FRACTURE
 (54) Title: FRACTURE FIXATION DEVICE, TOOLS AND METHODS



DEPLOYED ISO

FIG. 1C

(57) **Abrégé/Abstract:**

A bone fixation device is provided with an elongate body having a longitudinal axis and having a flexible state and a rigid state, a plurality of grippers disposed at longitudinally spaced locations of the elongated body, a curved rigid hub connected to the elongated body, and an actuator operably connected to the grippers to deploy the grippers from a first shape to an expanded second shape. Methods of repairing a fracture of a bone are also disclosed. One such method comprising inserting a bone fixation device into an intramedullary space of the bone to place at least a portion of an elongate body of the fixation device in a flexible state on one side of the fracture and at least a portion of a curved rigid hub on another side of the fracture, and operating an actuator to deploy a plurality of grippers of the fixation device to engage an inner surface of the intramedullary space to anchor the fixation device to the bone.

(12) INTERNATIONAL APPLICATION PUBLISHED UNDER THE PATENT COOPERATION TREATY (PCT)

(19) World Intellectual Property Organization
International Bureau(43) International Publication Date
29 May 2008 (29.05.2008)

PCT

(10) International Publication Number
WO 2008/064346 A3

(51) International Patent Classification:

A61B 17/58 (2006.01)

(21) International Application Number:

PCT/US2007/085451

(22) International Filing Date:

21 November 2007 (21.11.2007)

(25) Filing Language:

English

(26) Publication Language:

English

(30) Priority Data:

60/867,011 22 November 2006 (22.11.2006) US

60/866,976 22 November 2006 (22.11.2006) US

60/949,071 11 July 2007 (11.07.2007) US

(71) Applicant (for all designated States except US):

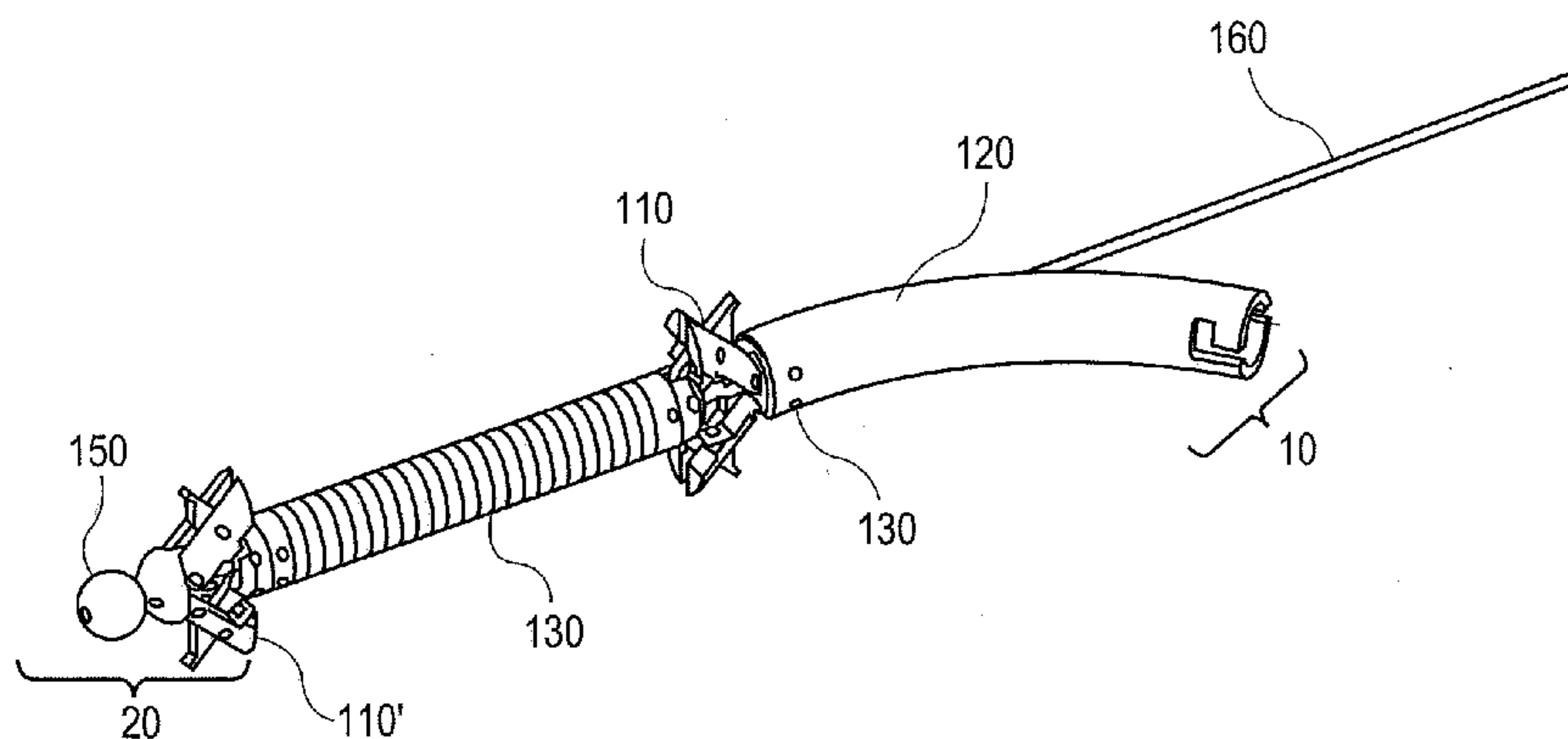
SONOMA ORTHOPEDIC PRODUCTS, INC.
[US/US]; 650 Larkfield Shopping Center, Santa Rosa, CA
95403 (US).

(72) Inventors; and

(75) Inventors/Applicants (for US only): **SARAVIA, Herber**
[US/US]; 473 Tarton Drive, Santa Rosa, CA 95405 (US).
HAUCK, Brian, A. [US/US]; 215 Flametree Circle,
Windsor, CA 95492 (US). **PHAM, Trung** [US/US]; 1077Stanislaus Way, Santa Rosa, CA 95403 (US). **NELSON,**
Charles, L. [—/US]; 3744 Woodbourne Place, Santa Rosa,
CA 95403 (US). **ANDERSON, Arthur, E., III;** 1109
Sage Court N., Sunnyvale, CA 94087 (US). **BOWEN,**
William, W. [US/US]; 84 Madrone, Willits, CA 95490
(US). **MCDANIEL, Stephen, R.** [US/US]; 1071 Sea
Eagle Loop, Bodega Bay, CA 94923 (US).(74) Agents: **LIMBACH, Douglas, C.** et al.; Shay Glenn, LLP,
2755 Campus Drive, Suite 210, San Mateo, CA 94403
(US).(81) Designated States (unless otherwise indicated, for every
kind of national protection available): AE, AG, AL, AM,
AT, AU, AZ, BA, BB, BG, BH, BR, BW, BY, BZ, CA, CH,
CN, CO, CR, CU, CZ, DE, DK, DM, DO, DZ, EC, EE, EG,
ES, FI, GB, GD, GE, GH, GM, GT, HN, HR, HU, ID, IL,
IN, IS, JP, KE, KG, KM, KN, KP, KR, KZ, LA, LC, LK,
LR, LS, LT, LU, LY, MA, MD, ME, MG, MK, MN, MW,
MX, MY, MZ, NA, NG, NI, NO, NZ, OM, PG, PH, PL,
PT, RO, RS, RU, SC, SD, SE, SG, SK, SL, SM, SV, SY,
TJ, TM, TN, TR, TT, TZ, UA, UG, US, UZ, VC, VN, ZA,
ZM, ZW.(84) Designated States (unless otherwise indicated, for every
kind of regional protection available): ARIPO (BW, GH,

[Continued on next page]

(54) Title: FRACTURE FIXATION DEVICE, TOOLS AND METHODS



DEPLOYED ISO

FIG. 1C

(57) Abstract: A bone fixation device is provided with an elongate body having a longitudinal axis and having a flexible state and a rigid state, a plurality of grippers disposed at longitudinally spaced locations of the elongated body, a curved rigid hub connected to the elongated body, and an actuator operably connected to the grippers to deploy the grippers from a first shape to an expanded second shape. Methods of repairing a fracture of a bone are also disclosed. One such method comprising inserting a bone fixation device into an intramedullary space of the bone to place at least a portion of an elongate body of the fixation device in a flexible state on one side of the fracture and at least a portion of a curved rigid hub on another side of the fracture, and operating an actuator to deploy a plurality of grippers of the fixation device to engage an inner surface of the intramedullary space to anchor the fixation device to the bone.



WO 2008/064346 A3

WO 2008/064346 A3



GM, KE, LS, MW, MZ, NA, SD, SL, SZ, TZ, UG, ZM, ZW), Eurasian (AM, AZ, BY, KG, KZ, MD, RU, TJ, TM), European (AT, BE, BG, CH, CY, CZ, DE, DK, EE, ES, FI, FR, GB, GR, HU, IE, IS, IT, LT, LU, LV, MC, MT, NL, PL, PT, RO, SE, SI, SK, TR), OAPI (BF, BJ, CF, CG, CI, CM, GA, GN, GQ, GW, ML, MR, NE, SN, TD, TG).

Published:

— *with international search report*

(88) Date of publication of the international search report:

11 December 2008

(15) Information about Correction:

Previous Correction:

see Notice of 9 October 2008

FRACTURE FIXATION DEVICE, TOOLS AND METHODS

CROSS-REFERENCE TO RELATED APPLICATIONS

[0001] This application claims the benefit under 35 U.S.C. § 119 of the following U.S. provisional applications, the disclosures of which are incorporated herein by reference: USSN 60/867,011, "BONE REPAIR IMPLANT WITH CENTRAL RATCHETING GUIDE WIRE", filed November 22, 2006; 60/866,976, "SURGICAL TOOLS FOR USE IN DEPLOYING BONE REPAIR DEVICES," filed November 22, 2006; and 60/949,071, "FRACTURE FIXATION DEVICE, TOOLS AND METHODS", filed July 11, 2007.

INCORPORATION BY REFERENCE

[0002] All publications and patent applications mentioned in this specification are herein incorporated by reference to the same extent as if each individual publication or patent application was specifically and individually indicated to be incorporated by reference

BACKGROUND OF THE INVENTION

[0003] The present invention relates to methods and systems for providing reinforcement of bones. More specifically, the present invention relates to methods and systems for providing reconstructive surgical procedures and devices for reconstruction and reinforcement bones, including diseased, osteoporotic and fractured bones.

[0004] Bone fractures are a common medical condition both in the young and old segments of the population. However, with an increasingly aging population, osteoporosis has become more of a significant medical concern in part due to the risk of osteoporotic fractures. Osteoporosis and osteoarthritis are among the most common conditions to affect the musculoskeletal system, as well as frequent causes of locomotor pain and disability. Osteoporosis can occur in both human and animal subjects (*e.g.* horses). Osteoporosis (OP) and osteoarthritis (OA) occur in a substantial portion of the human population over the age of fifty. The National Osteoporosis Foundation estimates that as many as 44 million Americans are affected by osteoporosis and low bone mass, leading to fractures in more than 300,000 people over the age of 65. In 1997 the estimated cost for osteoporosis related fractures was \$13 billion. That figure increased to \$17 billion in 2002 and is projected to increase to \$210-240 billion by 2040. Currently it is expected that one in two women, and one in four men,

over the age of 50 will suffer an osteoporosis-related fracture. Osteoporosis is the most important underlying cause of fracture in the elderly. Also, sports and work-related accidents account for a significant number of bone fractures seen in emergency rooms among all age groups.

[0005] One current treatment of bone fractures includes surgically resetting the fractured bone. After the surgical procedure, the fractured area of the body (i. e., where the fractured bone is located) is often placed in an external cast for an extended period of time to ensure that the fractured bone heals properly. This can take several months for the bone to heal and for the patient to remove the cast before resuming normal activities.

[0006] In some instances, an intramedullary (1M) rod or nail is used to align and stabilize the fracture. In that instance, a metal rod is placed inside a canal of a bone and fixed in place, typically at both ends. See, for example, Fixion™ 1M(Nail), www.disc-o-tech.com. This approach requires incision, access to the canal, and placement of the 1M nail. The nail can be subsequently removed or left in place. A conventional 1M nail procedure requires a similar, but possibly larger, opening to the space, a long metallic nail being placed across the fracture, and either subsequent removal, and or when the nail is not removed, a long term implant of the 1M nail. The outer diameter of the 1M nail must be selected for the minimum inside diameter of the space. Therefore, portions of the 1M nail may not be in contact with the canal. Further, micro-motion between the bone and the 1M nail may cause pain or necrosis of the bone. In still other cases, infection can occur. The 1M nail may be removed after the fracture has healed. This requires a subsequent surgery with all of the complications and risks of a later intrusive procedure.

[0007] External fixation is another technique employed to repair fractures. In this approach, a rod may traverse the fracture site outside of the epidermis. The rod is attached to the bone with trans-dermal screws. If external fixation is used, the patient will have multiple incisions, screws, and trans-dermal infection paths. Furthermore, the external fixation is cosmetically intrusive, bulky, and prone to painful inadvertent manipulation by environmental conditions such as, for example, bumping into objects and laying on the device.

[0008] Other concepts relating to bone repair are disclosed in, for example, US Patents 5,108,404 to Scholten for Surgical Protocol for Fixation of Bone Using Inflatable Device; 4,453,539 to Raftopoulos et al. for Expandable Intramedullary Nail for the Fixation of Bone Fractures; 4,854,312 to Raftopolous for Expanding Nail; 4,932,969 to Frey et al. for Joint Endoprosthesis; 5,571,189 to Kuslich for Expandable Fabric Implant for Stabilizing the

Spinal Motion Segment; 4,522,200 to Stednitz for Adjustable Rod; 4,204,531 to Aginsky for Nail with Expanding Mechanism; 5,480,400 to Berger for Method and Device for Internal Fixation of Bone Fractures; 5,102,413 to Poddar for Inflatable Bone Fixation Device; 5,303,718 to Krajicek for Method and Device for the Osteosynthesis of Bones; 6,358,283 to Hogfors et al. for Implantable Device for Lengthening and Correcting Malpositions of Skeletal Bones; 6,127,597 to Beyar et al. for Systems for Percutaneous Bone and Spinal Stabilization, Fixation and Repair; 6,527,775 to Warburton for Interlocking Fixation Device for the Distal Radius; U.S. Patent Publication US2006/0084998 A1 to Levy et al. for Expandable Orthopedic Device; and PCT Publication WO 2005/112804 A1 to Myers Surgical Solutions, LLC for Fracture Fixation and Site Stabilization System. Other fracture fixation devices, and tools for deploying fracture fixation devices, have been described in: US Patent Appl. Publ. No. 2006/0254950; USSN 60/867,011 (filed 11/22/06); USSN 60/866,976 (filed 11/22/06); and USSN 60/866,920 (filed 11/22/06).

[0009] In view of the foregoing, it would be desirable to have a device, system and method for providing effective and minimally invasive bone reinforcement and fracture fixation to treat fractured or diseased bones.

SUMMARY OF THE INVENTION

[00010] Aspects of the invention relate to embodiments of a bone fixation device and to methods for using such a device for repairing a bone fracture. The bone fixation device may include an elongate body with a longitudinal axis and having a flexible state and a rigid state. The device further may include a plurality of grippers disposed at longitudinally-spaced locations along the elongated body, a curved rigid hub connected to the elongated body, and an actuator that is operably-connected to the grippers to deploy the grippers from a first shape to an expanded second shape.

[00011] With regard to the actuator, in some embodiments of the bone fixation device, the actuator is operably connected to the elongate body in order to change the elongate body from its flexible state (such as for insertion into the bone through a curved access port) to its rigid state (such as to rigidly hold to the substantially straight bone shaft). In some embodiments, the actuator is operably connected to a first gripper that is disposed at the proximal end of the elongate body and to a second gripper that is disposed at the distal end of the elongate body so as to be able to expand the first and second grippers simultaneously.

[00012] With further regard to the actuator of the device, the actuator may include a ratchet that permits movement of the actuator only in a deployment direction, and in some of

these embodiments, the device may include a ratchet release. With still further regard to the actuator, in some embodiments the actuator may be threaded, and in some embodiments, the actuator may be rotatable with respect to the grippers.

[00013] With regard to the shape of the grippers of the device, in some embodiments, the second shape of at least one gripper is shorter along the longitudinal axis in its expanded second shape than it is in its first shape.

[00014] With regard to one of the plurality of grippers of the device, in some embodiments a first gripper includes an element that pivots away from longitudinal axis of the elongated body when the first gripper is deployed from the first shape to the second shape. In various of these pivoting element-including embodiments, the first gripper may include two sets or three sets of oppositely disposed pivoting elements at the same axial location of the elongate body, the pivoting elements being adapted to pivot away from longitudinal axis of the elongated body when the first gripper is deployed from the first shape to the second shape.

[00015] In some of the embodiments with a gripper that includes a pivoting element, a first gripper may include a pair of pivoting elements disposed on opposite sides of the elongate body at the same axial position of the elongate body. In various of embodiments that include a gripper with a pair of pivoting elements, the pair of pivoting elements may be connected to the elongate body so as to rotate either in the same direction or in opposite directions when the first gripper is deployed from the first shape to the second shape. In some embodiments with a gripper that includes a pivoting element, the element may include either one or two bone-engaging surfaces that pivot radially outward from the elongate body.

[00016] With regard to the curved hub of the device, in some embodiments, the curved hub includes screw holes that may be pre-drilled and pre-tapped, and some embodiments the hub may include a drill alignment tool interface to drill the screw holes during surgery.

[00017] With regard to a method for using embodiments of the bone fixation device, as summarized above, to repair a fractured bone, the method includes inserting a bone fixation device into an intramedullary space of the bone, placing at least a portion of an elongate body of the fixation device in a flexible state on one side of the fracture and at least a portion of a curved rigid hub on another side of the fracture, and operating an actuator to deploy a plurality of grippers of the fixation device to engage an inner surface of the intramedullary space to anchor the fixation device to the bone.

[00018] In some method embodiments, the method further includes rigidizing the elongate body after the inserting step, and in some of these embodiments, the rigidizing step includes operating the actuator.

[00019] With regard to the operating step of the method, some embodiments include shortening one of the grippers.

[00020] With further regard to the operating step of the method, some embodiments include pivoting a pivotable gripper element away from the longitudinal axis of the elongate body. In some embodiments, at least two pivotable gripper elements are pivoted away from a longitudinal axis of the elongate body, the pivotable gripper elements being disposed at different axial locations on the elongate body. In some embodiments, the pivoting step includes moving two bone engaging surfaces of the pivotable gripper element into engagement with the bone. In some embodiments of the method, the pivoting step includes moving either two or three sets of pivotable gripper elements away from the longitudinal axis of the elongate body, the two sets being disposed on opposite sides of the elongate body at the same axial position. In some embodiments of the method, the pivoting step includes pivoting a pair of pivoting elements disposed on opposite sides of the elongate body at the same axial position so that two surfaces of each pivoting element engage the inner surface of the intramedullary space. In some embodiments of the method, the pivoting step includes rotating the pivoting elements in the same or in respectively opposite directions.

[00021] With still further regard to the operating step of the method and the actuator, some embodiments include moving the actuator longitudinally with respect to the fixation device. In some of these embodiments, the method further includes engaging a ratchet with the actuator to permit movement of the actuator only in a deployment direction, and in some of these embodiments, the method may further include disengaging the ratchet such as for removal of the device. With still further regard to the method's operating step and the actuator, some embodiments may include rotating the actuator with respect to the fixation device.

[00022] Some embodiments of the method further includes inserting a screw through the bone and the hub. These particular embodiments may further include forming a hole through the bone and the hub prior to inserting the screw. In some embodiments that include the step of inserting a screw through the bone and the hub, the step may include inserting a fixation device having a curved hub with a preformed hole, the step of inserting a screw by way of this embodiment thereby including inserting a screw through the bone and the preformed hole. In some of these latter embodiments, the curved hub has a plurality of preformed holes, the method then including inserting a first screw dorsal to volar through two portions of the bone and a first and second of the preformed holes and inserting a second screw volar to dorsal through two other portions of the bone and a third and fourth of the preformed holes.

In some of these latter embodiments, the method may further include inserting a third screw proximal to distal through two more portions of the bone and a fifth and sixth of the preformed holes of the hub. In still further embodiments of the method that include the step of inserting a screw through the bone and the hub, the method may further include attaching a drill alignment guide to the hub and aligning a drill bit with the hub using the drill alignment guide.

[00023] One embodiment of the present invention provides a low weight to volume mechanical support for fixation, reinforcement and reconstruction of bone or other regions of the musculo-skeletal system in both humans and animals. The method of delivery of the device is another aspect of the invention. The method of delivery of the device in accordance with the various embodiments of the invention reduces the trauma created during surgery, decreasing the risks associated with infection and thereby decreasing the recuperation time of the patient. The framework may in one embodiment include an expandable and contractible structure to permit re-placement and removal of the reinforcement structure or framework.

[00024] In accordance with the various embodiments of the present invention, the mechanical supporting framework or device may be made from a variety of materials such as metal, composite, plastic or amorphous materials, which include, but are not limited to, steel, stainless steel, cobalt chromium plated steel, titanium, nickel titanium alloy (nitinol), superelastic alloy, and polymethylmethacrylate (PMMA). The supporting framework or device may also include other polymeric materials that are biocompatible and provide mechanical strength, that include polymeric material with ability to carry and delivery therapeutic agents, that include bioabsorbable properties, as well as composite materials and composite materials of titanium and polyetheretherketone (PEEK™), composite materials of polymers and minerals, composite materials of polymers and glass fibers, composite materials of metal, polymer, and minerals.

[00025] Within the scope of the present invention, each of the aforementioned types of device may further be coated with proteins from synthetic or animal source, or include collagen coated structures, and radioactive or brachytherapy materials. Furthermore, the construction of the supporting framework or device may include radio-opaque markers or components that assist in their location during and after placement in the bone or other region of the musculo-skeletal systems.

[00026] Further, the reinforcement device may, in one embodiment, be osteo incorporating, such that the reinforcement device may be integrated into the bone.

[00027] In a further embodiment, there is provided a low weight to volume mechanical supporting framework or device deployed in conjunction with other suitable materials to form a composite structure in-situ. Examples of such suitable materials may include, but are not limited to, bone cement, high density polyethylene, Kapton® , polyetheretherketone(PEEK™), and other engineering polymers.

[00028] Once deployed, the supporting framework or device may be electrically, thermally, or mechanically passive or active at the deployed site within the body. Thus, for example, where the supporting framework or device includes nitinol, the shape of the device may be dynamically modified using thermal, electrical or mechanical manipulation. For example, the nitinol device or supporting framework may be expanded or contracted once deployed, to move the bone or other region of the musculo-skeletal system or area of the anatomy by using one or more of thermal, electrical or mechanical approaches.

[00029] An embodiment of the invention includes a lockable bone fixation device comprising: a rigidizable flexible body adapted to be positioned in a space formed in a bone; a guide wire adapted to guide movement of the body; and an actuatable lock adapted to secure the body within the space of the bone from an end of the device. The body can be configured to be flexible, have apertures, be expandable and/or be bioabsorbable. Further, the body can be removable from the space within the bone, if desired. The device is adapted and configured to access the space within the bone through an access aperture formed in a bony protuberance of the bone. In a further embodiment, a second body can be provided that is adapted to fit within the first body. The anchors, *e.g.*, teeth or interdigitation process, are adapted to engage bone. In still another embodiment of the invention, a cantilever adapted to retain the lockable bone fixation device within the space. In still another embodiment, the device is adapted to be delivered by a catheter. In yet another embodiment, the distal end of the device is adapted to provide an obturator surface. In still another embodiment of the device, the distal end of the device is configured to provide a guiding tip. In yet another embodiment of the device, the device is adapted to receive external stimulation to provide therapy to the bone. In still another embodiment of the device, the device is adapted to receive composite material when the device is disposed within a lumen or opening within the body or bone.

[00030] In still another embodiment of the invention, a method of repairing a bone fracture is disclosed that comprises: accessing a fracture along a length of a bone through a bony protuberance at an access point at an end of a bone; advancing a bone fixation device into a space through the access point at the end of the bone; bending a portion of the bone

fixation device along its length to traverse the fracture; and locking the bone fixation device into place within the space of the bone. The method can also include the step of advancing an obturator through the bony protuberance and across the fracture prior to advancing the bone fixation device into the space. In yet another embodiment of the method, the step of anchoring the bone fixation device within the space can be included. In still another embodiment of the method, a first sleeve and a second sleeve of the bone fixation device can be engaged to expand an anchor into the bone.

[00031] An aspect of the invention discloses a removable bone fixation device that uses a single port of insertion and has a single-end of remote actuation wherein a bone fixation device stabilizes bone. The bone fixation device is adapted to provide a single end in one area or location where the device initiates interaction with bone. The device can be deployed such that the device interacts with bone. Single portal insertion and single-end remote actuation enables the surgeon to insert and deploy the device, deactivate and remove the device, reduce bone fractures, displace bone, and lock the device in place. In addition, the single-end actuation enables the device to grip bone, compresses the rigidizable flexible body, permits axial, torsional and angular adjustments to its position during surgery, and releases the device from the bone during its removal procedure. A removable extractor can be provided in some embodiments of the device to enable the device to be placed and extracted by deployment and remote actuation from a single end. The device of the invention can be adapted and configured to provide at least one rigidizable flexible body or sleeve. Further the body can be configured to be flexible in all angles and directions. The flexibility provided is in selective planes and angles in the Cartesian, polar, or cylindrical coordinate systems. Further, in some embodiments, the body is configured to have a remote actuation at a single end. Additionally, the body can be configured to have apertures, windings, etc. Another aspect of the invention includes a bone fixation device in that has mechanical geometry that interacts with bone by a change in the size of at least one dimension of a Cartesian, polar, or spherical coordinate system. Further, in some embodiments, bioabsorbable materials can be used in conjunction with the devices, for example by providing specific subcomponents of the device configured from bioabsorbable materials. A sleeve can be provided in some embodiments where the sleeve is removable, has deployment, remote actuation, and a single end. Where a sleeve is employed, the sleeve can be adapted to provide a deployable interdigitation process or to provide an aperture along its length through which the deployable interdigitation process is adapted to engage bone. In some embodiments, the deployable interdigitation process is further adapted to engage bone when actuated by the sleeve. In some embodiments, the bone

fixation device further comprises a cantilever adapted to retain the deployable bone fixation device within the space. The sleeve can further be adapted to be expanded and collapsed within the space by a user. One end of the device can be configured to provide a blunt obturator surface adapted to advance into the bone. A guiding tip may also be provided that facilitates guiding the device through the bone. Further, the deployable bone fixation device can be adapted to receive external stimulation to provide therapy to the bone. The device can further be adapted to provide an integral stimulator which provides therapy to the bone. In still other embodiments, the device can be adapted to receive deliver therapeutic stimulation to the bone.

[00032] The invention also includes a method for repairing a bone fracture comprising: accessing a fracture along a length of bone through a bony protuberance at an entry portal; introducing the bone fixation device into the medullary canal through the entry portal; bending the bone fixation device along its length to advance into the medullary space in the bone; bending the bone fixation device along its length to traverse the fracture site; placing a flexible elbow in the medullary canal at the fracture site; stiffening the bone fixation device; locking the bone fixation device to the bone; reducing the fracture with the bone fixation device in place in the medullary canal; locking the flexible elbow to achieve intramedullary reduction of the fracture. The method can further include the step of introducing a guide wire into the medullary space through a bony protuberance at an entry portal. Additionally, the guide wire can be reamed through the bony protuberance at an entry portal. The location of the reamed bony canal can be determined by the fracture anatomy and bone anatomy. In some embodiments of the method, a sleeve can be advanced along the bone fixation device. In such embodiments, the sleeve can function to unlock the spikes from the fixation device. Once the spikes are unlocked from the fixation device, the spikes then fix the device to the bone. Locking rings can also be employed to lock the device to the bone. The rings can be locked to the fixation device in some embodiments. Additionally, the rings can be threaded over the device. In other embodiments, a guide jig guides screws through the rings. Further self tapping screws lock the rings to the bone and bone fixation device. A set screw can also be used to lock the device at the fracture site. The device can also be stiffened. In performing the method of the invention, fracture fragments can be reduced.

[00033] The devices disclosed herein may be employed in various regions of the body, including: cranial, thoracic, lower extremities and upper extremities. Additionally, the devices are suitable for a variety of breaks including, metaphyseal and diaphyseal.

[00034] The fracture fixation devices of various embodiments of the invention are adapted to be inserted through an opening of a fractured bone, such as the radius (*e.g.*, through a bony protuberance on a distal or proximal end or through the midshaft) into the intramedullary canal of the bone. In some embodiments, the fixation device has two main components, one configured component for being disposed on the side of the fracture closest to the opening and one component configured for being disposed on the other side of the fracture from the opening so that the fixation device traverses the fracture.

[00035] The device components cooperate to align, fix and/or reduce the fracture so as to promote healing. The device may be removed from the bone after insertion (*e.g.*, after the fracture has healed or for other reasons), or it may be left in the bone for an extended period of time or permanently.

[00036] In some embodiments, the fracture fixation device has one or more actuatable anchors or grippers on its proximal and/or distal ends. These anchors may be used to hold the fixation device to the bone while the bone heals.

[00037] In some embodiments, to aid in insertion into the intramedullary canal, at least one component of the fracture fixation device has a substantially flexible state and a substantially rigid state. Once in place, deployment of the device also causes the components to change from the flexible state to a rigid state to aid in proper fixation of the fracture. At least one of the components may be substantially rigid or semi-flexible. At least one component may provide a bone screw attachment site for the fixation device.

[00038] Embodiments of the invention also provide deployment tools with a tool guide for precise alignment of one or more bone screws with the fracture fixation device. These embodiments also provide bone screw orientation flexibility so that the clinician can select an orientation for the bone screw(s) that will engage the fixation device as well as any desired bone fragments or other bone or tissue locations.

[00039] The deployment tools also have features that help make it easier to use. For example, deployment tool components can be oriented so as to be used by either the right hand or the left hand of the user. Also, certain deployment tool components may be rotated out of the user's field of vision during use without compromising the component's function.

[00040] These and other features and advantages of the present invention will be understood upon consideration of the following detailed description of the invention and the accompanying drawings.

BRIEF DESCRIPTION OF THE DRAWINGS

[00041] The novel features of the invention are set forth with particularity in the appended claims. A better understanding of the features and advantages of the present invention will be obtained by reference to the following detailed description that sets forth illustrative embodiments, in which the principles of the invention are utilized, and the accompanying drawings of which:

[00042] Figures 1a-e are views of an embodiment of a bone repair device according to the invention.

[00043] Figures 2a-d are views of flexible-to-rigid bodies.

[00044] Figures 3a-c are views of a scissor gripper component of the bone repair device of Figure 1.

[00045] Figure 4 is a cross-section of a ratchet, hub, gripper and flexible-to-rigid body components of the bone repair device of Figure 1.

[00046] Figure 5 is a retracted isometric view of the bone repair device of Figure 1.

[00047] Figures 6a.g are views of an alternative embodiment of a bone repair device according to the invention.

[00048] Figures 7a-b are views of a hub component of the bone repair device of Figure 6.

[00049] Figures 8a-b are views of a gripper component of the bone repair device of Figure 6.

[00050] Figure 9 is a view of a ratchet component of the bone repair device of Figure 6.

[00051] Figure 10a is a perspective view showing another embodiment of a bone repair device in a retracted state.

[00052] Figure 10b is a cross-sectional view taken along line 10b-10b in Figure 10a.

[00053] Figure 11a is a perspective view showing the bone repair device of Figures 10a and 10b in a deployed state.

[00054] Figure 11b is a cross-sectional view taken along line 11b-11b in Figure 11a.

[00055] Figure 12 is a cross sectional elevation view showing the bone repair device of Figure 11b.

[00056] Figures 13-18 show details of one embodiment of an actuatable gripper for use with a fracture fixation device.

[00057] Figures 19-21 show yet another embodiment of a fracture fixation device according to the invention.

[00058] Figure 22 shows a portion of fracture fixation device of Figures 19-21 in a deployed configuration.

- [00059] Figures 23-25 show the fracture fixation device of Figures 19-22 deployed within a bone.
- [00060] Figures 26-31 show details of a gripper for use with a fracture fixation device.
- [00061] Figures 32 and 33 show yet another embodiment of a fracture fixation device according to the invention.
- [00062] Figures 34-39 show a deployment tool for use with a fracture fixation device of this invention.
- [00063] Figures 40-41 show another embodiment of a deployment tool for use with a fracture fixation device of this invention.
- [00064] Figures 42-43 show the interaction between a flexible screw driver and the actuator of a fixation device.
- [00065] Figures 44-48 show another embodiment of a gripper for use with a fracture fixation device.
- [00066] Figures 49-50 show another embodiment of a fracture fixation device similar to the device shown in Figures 19-25 using a distal gripper similar to that shown in Figures 44-48 but using an alternative actuator/locking mechanism.
- [00067] Figures 51-52 show yet another embodiment of a fracture fixation device similar to the device shown in Figures 49-50 but using another alternative actuator and an alternative flexible-to-rigid body.
- [00068] Figures 53-59 show alternative designs for the flexible-to-rigid body of a fracture fixation device according to this invention.
- [00069] Figures 60a-b show an alternative embodiment of a fracture fixation device in a retracted state.
- [00070] Figures 61a-b show the device of Figures 60a-b in a deployed state.'
- [00071] Figures 62a-b show another embodiment of a gripper mechanism.
- [00072] Figure 63 shows an embodiment of an outrigger device.

DETAILED DESCRIPTION OF THE INVENTION

[00073] By way of background and to provide context for the invention, it may be useful to understand that bone is often described as a specialized connective tissue that serves three major functions anatomically. First, bone provides a mechanical function by providing structure and muscular attachment for movement. Second, bone provides a metabolic function by providing a reserve for calcium and phosphate. Finally, bone provides a protective function by enclosing bone marrow and vital organs. Bones can be categorized as

long bones (*e.g.* radius, femur, tibia and humerus) and flat bones (*e.g.* skull, scapula and mandible). Each bone type has a different embryological template. Further each bone type contains cortical and trabecular bone in varying proportions. The devices of this invention can be adapted for use in any of the bones of the body as will be appreciated by those skilled in the art.

[00074] Cortical bone (compact) forms the shaft, or diaphysis, of long bones and the outer shell of flat bones. The cortical bone provides the main mechanical and protective function. The trabecular bone (cancellous) is found at the end of the long bones, or the epiphysis, and inside the cortex of flat bones. The trabecular bone consists of a network of interconnecting trabecular plates and rods and is the major site of bone remodeling and resorption for mineral homeostasis. During development, the zone of growth between the epiphysis and diaphysis is the metaphysis. Finally, woven bone, which lacks the organized structure of cortical or cancellous bone, is the first bone laid down during fracture repair. Once a bone is fractured, the bone segments are positioned in proximity to each other in a manner that enables woven bone to be laid down on the surface of the fracture. This description of anatomy and physiology is provided in order to facilitate an understanding of the invention. Persons of skill in the art will also appreciate that the scope and nature of the invention is not limited by the anatomy discussion provided. Further, it will be appreciated there can be variations in anatomical characteristics of an individual patient, as a result of a variety of factors, which are not described herein. Further, it will be appreciated there can be variations in anatomical characteristics between bones which are not described herein

[00075] Figures 1a-e are views of an embodiment of a bone repair device **100** having a proximal end **10** (nearest the surgeon) and a distal end **20** (further from surgeon) and positioned within the bone space of a patient) according to the invention. In the retracted side view shown in Figure 1a. the device sits along a longitudinal axis x. The devices **100** can contain a plate, nail/plate combination, or a blade/plate combination and can be made from alloys, such as cobalt-chromium molybdenum, stainless steel and titanium, or plastics such as UHMWPE, PEEK or PEKK. The proximal end and distal end, as used in this context, refers to the position of an end of the device relative to the remainder of the device or the opposing end as it appears in the drawing. The proximal end can be used to refer to the end manipulated by the user or physician. The proximal end may be configured such that a portion thereof remains outside the bone. Alternatively, the proximal end is configured such that it does not remain outside the bone. The distal end, thus, can be used to refer to the end of the device that is inserted and advanced within the bone and is furthest away from the

physician. As will be appreciated by those skilled in the art, the use of proximal and distal could change in another context, *e.g.* the anatomical context in which proximal and distal use the patient as reference.

[00076] When implanted within a patient, the device can be held in place with suitable fasteners such as wire, screws, nails, bolts, nuts and washers. The device 100 is used for fixation of fractures of the proximal or distal end of long bones such as intracapsular, intertrochanteric, intercervical, supracondylar, or condylar fractures of the femur; for fusion of a joint; or for surgical procedures that involve cutting a bone. The devices 100 may be implanted or attached through the skin so that a pulling force (traction may be applied to the skeletal system).

[00077] Turning now to Figure 1b, the design of this radius metaphyseal repair device depicted is adapted to provide a scissor-like engaging mechanism adapted to engage target bone of a patient from the inside of the bone. As configured for this anatomical application, the device is designed to facilitate bone healing when placed in the intramedullary space within a post fractured bone. This device 100 had two sets of scissor grippers - one positioned proximally near the hub 110 (shown scissored-out in Figure 1b and shown undeployed in Figure 1a) and one near the tip 110'. On entry into a cavity, both grippers 110, 110' are flat and retracted (Figure 1a). Upon deployment, both grippers 110, 110' scissor-out and grip the diaphyseal bone from the inside of the bone. Screws (not shown) placed through apertures through the hub 120 lock the device 100 to the metaphyseal bone. Hence, the metaphysis and the diaphysis are joined. A flexible-to-rigid body 130 is also provided positioned between the two grippers 110, 110'. The embodiment of the flexible-to-rigid body 130 is configured to form dual helical springs whose inner and outer tubular components coil in opposite directions. It is provided with spiral cuts 132 for that purpose.

[00078] The bone fixation device 100 has an actuator 160 at a proximal end 10. The actuator 160 enables a user to control the movement, insertion, deployment, removal, and operation of the device. The actuator 160 has a ratchet feature 444 as shown in Figure 4. The anchoring segments 110 have radially extending teeth or grippers that scissor out away from a central axis x of the device and that are deployed upon actuation of the device 100. The grippers interlock the device with the bone.

[00079] A bearing segment 150 suitable for use in an actuable bone fixation device is provided at the distal end of the device. The bearing segment can be adapted to act as blunt obturator adapted to facilitate penetration of bone and to keep the tip of actuator 160 from digging into bone during insertion. The bearing segment, as depicted, has a substantially

spherical dimension, with a lumen **152** positioned therethrough. The lumen depicted in this embodiment has a constant, or substantially constant, diameter along its length suitable for receiving the an actuator wire or guide wire **160** of a device **100**. Actuator **160** is rigidly attached to bearing segment **150** and can be used separately from device **100** to serve as a guide wire for reaming before device **100** is inserted into the bone. During insertion, device **100** is inserted into the bone over the actuator **160** that also serves as a guide wire.

Alternatively, Actuator **160** attached to bearing segment **150** can be assembled into device **100** and inserted as a unit into bone.

[00080] Figures 2a-d are views of flexible-to-rigid bodies **230**, **230'**. The flexible to rigid central body extends between the scissor grippers shown in Figure 1. This feature is flexible upon entry into bone and rigid upon application of compressive axial force provided by tensioning actuator **160**. Various embodiments exist only a few of which are depicted in Figure 2. These include a dual helical spring **230** provided with spiral cuts **232** (Figure 2a), a chain of ball bearings with flats or roughened surfaces, a chain of cylinders with flats, features, cones, spherical or pointed interdigitating surfaces, wavy-helical cut tubes (Figures 2c-d), two helical cut tubes in opposite directions (Figure 2b), springs, linear wires with interdigitating coils, and bellows-like structures.

[00081] The design of the flexible-to-rigid tubular body **230** allows a single-piece design to maximize the transformation of the same body from a very flexible member that minimizes strength in bending to a rigid body that maximizes strength in bending and torque when compressive forces are applied in the axial direction at each end. The body **230** is made, for example, by a near-helical cut on a tubular member at an angle of incidence to the axis somewhere between 0° and 180° from the longitudinal axis x of the tubular body **230**. The near-helical cut or wavy-helical cut is formed by the superposition of a helical curve added to a cyclic curb that produces waves of frequencies equal or greater than zero per turn around the circumference and with cyclic amplitude greater than zero. The waves of one segment nest with those above and below it, thus increasing the torque and bending strength and stiffness of the tubular body when subjective to compressive forces. The tapered surfaces formed by the incident angle allow each turn to overlap with the segment above and below it, thus increasing the bending strength when the body is in compression. Additionally, the cuts can be altered in depth and distance between the cuts on the longitudinal x -axis along the length of the body **230** to variably alter the flexible-to-rigid characteristics of the tubular body along its length.

[00082] The cuts **232** in the body **230** allow an otherwise rigid member to increase its flexibility to a large degree during deployment. The Tubular member can have constant or varying internal and external diameters. This design reduces the number of parts of the flexible-rigid body of the device and allows insertion and extraction of the device through a curved entry port in the bone while maximizing its rigidity once inserted. Application and removal of compressive forces provided by a parallel member such as wire(s), tension ribbons or a sheath will transform the body from flexible to rigid and vice versa.

[00083] Figures 3a-c are views of the scissor gripper **310** component of the bone repair device 100 of Figure 1. For purposes of illustration the distal gripper (**110'** from Figure 1 is depicted) with the obturator **350**. The grippers or clamp **310** are comprised of a four bar linkage **312a, 312b, 312', 312a'', 312b'', 312'''** analogous to an automotive scissor jack. In this embodiment the four bar linkage has free ends **313** beyond central pivots **314, 314'** that translate radially, away from the longitudinal axis *x*. These free ends interdigitate into bone and grip in both directions of axial force, elbow to wrist and wrist to elbow. The tension force required by the grippers to attach to the bone decreases as they expand away from the central axis *x*. The axial force (elbow to wrist, wrist to elbow) to move the grippers increase as the grippers expand away from the central axis. Any number of scissor gripper assemblies can be part of the overall device. The space between the gripper assemblies is occupied by the flexible to rigid central body as shown above. The scissor grippers are actuated by applying an axial force F_a opposite the direction of entry of the device into bone. For the embodiment depicted in Figure 3, a distal set of interior pivoting ends **315, 315''** are adapted to pivotally engage the obturator **350** directly, or a connector **316'** adapted to engage the obturator which forms the distal end of the scissor gripper **310**. A proximal set of interior pivoting ends **315', 315'''** are adapted to engage a connector **316**. The connector **316** can be adapted to engage, for example, a flexible-to-rigid body. For a gripper adapted to be positioned proximally, *e.g.*, near the ratchet, the distal set of interior pivoting ends **315, 315''** would be adapted to pivotally engage a connector **316** which is adapted to engage a flexible-to-rigid body. The proximal set of interior pivoting ends **315', 315'''** would then be adapted to engage the ratchet. Other configurations of the scissor gripper can be employed and adapted according to the placement of the scissor gripper along the length of the device.

[00084] Figure 4 is a cross-section of a ratchet component of the bone repair device of Figure 1. A central ratcheting segment **440** of guide wire **460**. This feature extends from the farthest surface of the device from the point of entry. It then extends back toward and completely through the resilient member **444** and metaphyseal hub **120**. The central

ratcheting guide wire has several functions. These include: guide wire for location within bone; guide wire for telescoping reaming of the intramedullary space; guide wire for location of the scissor concept implant; fixative datum for stopping intramedullary translation away from the point of entry into bone; rigid actuation surface to provide compressive force to collapse scissor grippers and make the flexible-to-rigid central body rigid; grooves **442**, indentations, facets, changed surface features that interact with the resilient ratchet member **444** inside the metaphyseal hub. These features allow single directional translation of the central ratcheting guide wire opposite to the direction of entry into bone, but prevent translation of the central ratcheting guide wire back into the bone; collapses the scissor grippers thereby causing interdigitation into bone, this causes an expansion away from the central axis; allows the surgeon to cut off the central ratcheting guide wire so that it is below the outer surface of the metaphyseal hub and below the bone surface at the point of entry. For removal, once the resilient ratchet member is deflected away from the grooves, indentations, facets, changed surface features, the central ratcheting guide wire can be pushed away from the point of entry into bone, thereby collapsing the scissor grippers towards the central axis of the scissor concept implant; through out all of the functions of the central ratcheting guide wire, it is flexible and allows the scissor concept implant to bend around a radius of curvature less than 1.6 inches. The ratchet controls the locking and unlocking of the axial motion of the device.

[00085] Figure 5 is a retracted isometric view of the bone repair device **500** of Figure 1.

[00086] Figures 6a-g are views of an alternative embodiment of a bone repair device according to the invention. Similar to the device depicted in Fig 1, the device **600** can also be constructed from component parts. A feature of the device **600** is that its design it enables transmission of fixation forces to healthy unbroken bone. Another feature of the device **600** enables the device **600** to achieve asymmetric flexibility by using parts that increase a moment of inertia in a single axis. The moment of inertia of a point mass with respect to an axis is the product of the mass times the distance from the axis squared. The moment of inertia of any extended object, which applies in this instance, is a variant from that basic definition. The moment of inertia is important in an embodiment of a bone fixation, repair, or reinforcement device since flexibility in one plane and rigidity in a plane coincident and normal to said plane is required. This is achieved through the selective used of materials and specific geometric definition.

[00087] The design of the radius metaphyseal repair assembly device **600** depicted herein facilitates bone healing when placed in the intramedullary space within a post-fractured bone.

This device **600** had two sets of diaphyseal-facing grippers **610** and two sets of metaphyseal-facing grippers **610'**. All grippers **610**, **610'** are retracted during insertion. Upon deployment, all 4 prongs **612** on each of the 4 gripper sets push into the diaphyseal bone - preventing motion in either direction. Screws (not shown) can be placed through the hub **620** (on the right side) to lock the device position with respect to the metaphyseal bone. Hence, the metaphysis and the diaphysis are joined.

[00088] This device **600** had two sets of distal grippers - one positioned proximally near the distal tip **610** (shown scissored-out in Figures 6a-b); additionally a set of proximal grippers **611** can be provided. As depicted, the proximal grippers **611** deploy at a perpendicular angle to the deployment angle of the distal grippers. On entry into a cavity, the grippers **610** are flat and unfolded. Upon deployment, the grippers **610** extend away from the central axis X and grip the diaphyseal bone. Screws (now shown) placed through apertures (**not shown**) in the hub **620** lock the device **600** to the metaphyseal bone. Hence, the metaphysis and the diaphysis are joined. A central body **630** is also provided positioned between the grippers **610**. The central body **630** as depicted is configured to surround at least a portion of the guide wire **660**.

[00089] The bone fixation device **600** has an actuator **660** at a proximal end **10**. The actuator **660** enables a user to control the movement, insertion, deployment, removal, and operation of the device. The actuator **660** traverses ratchet feature **640** as shown in Figure 9. The anchoring segments **610** have radially extending teeth or grippers that extend away from a central axis X of the device **600** and that are deployed upon actuation of the device **600**. The grippers **610** interlock the device **600** with the bone. Ratchet feature **640** allows the actuator **660** to translate axially in the direction of deployment and keeps actuator **660** under tension.

[00090] A bearing segment **650** suitable for use in an actuable bone fixation device is provided at the distal end of the device. The bearing segment can be adapted to act as blunt obturator adapted to facilitate penetration of bone. The bearing segment, as depicted, has a substantially spherical dimension, with a lumen **652** positioned therethrough. The lumen depicted in this embodiment has a constant, or substantially constant, diameter along its length suitable for receiving the drive shaft or guide wire **660** of a device **600**. Guide wire **660** also serves as actuator **660**.

[00091] As shown in Figure 6e, the grippers **610**, **610'** are configured to engage a bead **614** with apertures **615** through which the lateral lengths of the grippers fit. A low profile tube **616** is also provided which is adapted to fit within a central aperture of the beads **614**.

Tendons **618** are also provided. The tendons serve a variety of functions as would be appreciated by those skilled in the art. In one instance, the tendons provide for greater effective moment of inertia in the Z-direction, which is the plane normal to the dorsal plane or the volar surfaces of the wrist. The tendons **618** also actuate the grippers in and out of the sheath. Pulling the tendons **618** makes the grippers of the device extend out of the device sleeve, thus penetrating bone. Once the grippers penetrate bone, the device is anchored.

[00092] Figures 7a-b are views of a hub **720** component of the bone repair device of Figure 6. The metaphyseal hub is adapted to engage the repair device **600** at its distal end **20** and is adapted to engage a lock **680** at its proximal end **10**. The metaphyseal hub is a component of the device that performs several functions:

[00093] *Structural Linkage between different compositions of bone*

[00094] First, the metaphyseal hub **720** creates the structural linkage between the transitional sections of bone. These are the exterior cortex of bone, the metaphysis, and the diaphysis. The hub can be rigid or flexible. In these embodiments the metaphyseal hub is made of a rigid thermoplastic polymer. Examples of these materials include polyetheretherketone, polyaramids, such as nylon, and ultra high molecular weight polyethylene. The primary advantages of these engineering thermoplastic polymers include geometric conformity to the transition of bone, geometric conformity to the transitional geometry of the device from the exterior cortex through the metaphysis and the diaphysis. In these embodiments the shape of the metaphyseal hub had a circular, tubular shape, curved at a constant radius.

[00095] *Curved to allow minimally invasive access to the intramedullary space*

[00096] In some embodiments of the invention, the radius of curvature for the hub **720** is between 2.0 inches to 0.5 inches. The radius of curvature allowed for the angle of penetration through the exterior cortex of the bone to be between 80 degrees from perpendicular to perpendicular to the bone. In the case of the radius the "bone" as described, would be the radial styloid. The circular cross section is designed to match access hole.

[00097] The diameter of the cross sectional circular area of the tubular metaphyseal hub **720** is between .020 inches to 2 inches as determined by the size of the intramedullary space of the bone that is under repair. The circular cross-section helps to minimize trauma.

[00098] *Interface to metaphyseal bone attachment devices (screws)*

[00099] The metaphyseal hub 720 allows the placement of bone screws (not shown) or other devices that secure the metaphyseal bone to the metaphyseal hub. In the case of screws, a thermoplastic metaphyseal hub allows the surgeon to drill pilot holes from bone, through the metaphyseal hub, and into bone. A screw that is larger in diameter than the pilot hole would be inserted with a twisting motion and interfere with bone, the metaphyseal hub, and bone. This construction allow secure fixation of the distal fragments (proximal to the surgeon) of the fractured bone to device 600 which in turn is secured to the proximal side of the fractured bone. (distal to the surgeon)

[000100] *Interface to the drilling and screw placement outrigger*

[000101] The metaphyseal hub 720 can also be adapted to interface with an outrigger (See, co-pending application 60/866,976 filed November 22, 2006 to Phillip Jobson for SURGICAL TOOLS FOR USE IN DEPLOYING BONE REPAIR DEVICES

[000102] [Attorney Docket No. 32847-704.101] which describes an outrigger tool). The outrigger allows exact placement of bone screws so that the screws penetrate bone, then the metaphyseal hub, then the bone on the opposite side of the metaphyseal hub. This hub interface can be a thread, bayonet style spring loaded contact, snap fit, interference fit, or other alternately fixative and stable attachment with removability.

[000103] *Interface to the diaphyseal fixation section*

[000104] The metaphyseal hub 720 has an interface to the diaphyseal fixation section of the device 600. This interface attaches the diaphyseal fixation section to the metaphyseal section provides an alternately, reversible, actuator or ratchet 640. This actuator 640 allows single direction translation of the actuator rod 660 or ratcheting guide wire that deploys the diaphyseal cortical interfacial attachment moieties.

[000105] Figures 8a-b are views of a gripper 810 component of the bone repair device of Figure 6. The gripper 810 is configured to form a flat bottomed u-shape (similar to a staple). The two sides 811, 811' are configured to flare away from a central axis x of the gripper during deployment. The ends of the grippers can be shaped such that they are sharply pointed 812.

[000106] Figure 9 is a view of a ratchet component of the bone repair device of Figure 6. A central ratcheting element 944 is traversed by guide wire 960 with grooves 942. This feature extends from the farthest surface of the device from the point of entry. It then extends back toward and completely through the resilient member and metaphyseal hub. The central

ratcheting guide wire has several functions. These include: guide wire for location within bone; guide wire for telescoping reaming of the intramedullary space; guide wire for location of the scissor concept implant; fixative datum for stopping intramedullary translation away from the point of entry into bone; rigid actuation surface to collapse scissor grippers and make the flexible to rigid central body rigid; grooves **942**, indentations, facets, changed surface features that interact with the resilient ratchet member **944** inside the metaphyseal hub. These feature allow single directional translation of the central ratcheting guide wire **960** towards the point of entry into bone, but prevent translation of the central ratcheting guide wire away point of entry into bone; collapses the scissor grippers thereby causing interdigitation into bone, this causes an expansion of the grippers away from the central axis; allows the surgeon to cut off the central ratcheting guide wire so that it is below the outer surface of the metaphyseal hub; once the resilient ratchet member is deflected away from the grooves, indentations, facets, changed surface features, the central ratcheting guide wire can be pushed away from the point of entry into bone, thereby collapsing the scissor grippers towards the central axis; through out all of the functions of the central ratcheting guide wire, it is flexible and allows the bone fixation devices such as device 600 to bend around a radius of curvature less than 1.6 inches. The ratchet locks and releases the axial and angular position of the device.

[000107] A corollary embodiment of the previously described art include axial translation from distal to proximal ends of the device thereby drawing bone and tissue together through shortening the axial distance distal to proximal between the two sides of the fracture(s). These embodiments have specific applications in fracture non-unions, joint fusions and certain fractures that require the compression of the fracture surfaces.

[000108] Additional embodiments, methods, and uses are envisioned in accordance with the inventive attributes. One embodiment of the present invention provides a low weight to volume mechanical support for fixation, reinforcement and reconstruction of bone or other regions of the musculo-skeletal system. The method of delivery of the device is another aspect of the invention. The method of delivery of the device in accordance with the various embodiments of the invention reduces the trauma created during surgery, decreasing the risks associated with infection and thereby decreasing the recuperation time of the patient. The framework may in one embodiment include an expandable and contractible structure to permit re-placement and removal of the reinforcement structure or framework.

[000109] In accordance with the various embodiments of the present invention, the mechanical supporting framework or device may be made from a variety of materials such as

metal, composite, plastic or amorphous materials, which include, but are not limited to, steel, stainless steel, cobalt chromium plated steel, titanium, nickel titanium alloy (nitinol), superelastic alloy, and polymethylmethacrylate (PMMA). The supporting framework or device may also include other polymeric materials that are biocompatible and provide mechanical strength, that include polymeric material with ability to carry and delivery therapeutic agents, that include bioabsorbable properties, as well as composite materials and composite materials of titanium and polyetheretherketone (PEEKTM), composite materials of polymers and minerals, composite materials of polymers and glass fibers, composite materials of metal, polymer, and minerals.

[000110] Within the scope of the present invention, each of the aforementioned types of device may further be coated with proteins from synthetic or animal source, or include collagen coated structures, and radioactive or brachytherapy materials. Furthermore, the construction of the supporting framework or device may include radio-opaque markers or components that assist in their location during and after placement in the bone or other region of the musculo-skeletal systems.

[000111] Further, the reinforcement device may, in one embodiment, be osteo incorporating, such that the reinforcement device may be integrated into the bone.

[000112] In a further embodiment, there is provided a low weight to volume mechanical supporting framework or device deployed in conjunction with other suitable materials to form a composite structure in-situ. Examples of such suitable materials may include, but are not limited to, bone cement, high density polyethylene, Kapton[®], polyetheretherketone(PEEKTM), and other engineering polymers.

[000113] Once deployed, the supporting framework or device may be electrically, thermally, or mechanically passive or active at the deployed site within the body. Thus, for example, where the supporting framework or device includes nitinol, the shape of the device may be dynamically modified using thermal, electrical or mechanical manipulation. For example, the nitinol device or supporting framework may be expanded or contracted once deployed, to move the bone or other region of the musculo-skeletal system or area of the anatomy by using one or more of thermal, electrical or mechanical approaches.

[000114] The invention also includes a method for repairing a bone fracture comprising: accessing a fracture along a length of bone through a bony protuberance at an entry portal; introducing the bone fixation device into the medullary canal through the entry portal; bending the bone fixation device along its length to advance into the medullary space in the bone; bending the bone fixation device along its length to traverse the fracture site; placing a

flexible elbow in the medullary canal at the fracture site; stiffening the bone fixation device; locking the bone fixation device to the bone; reducing the fracture with the bone fixation device in place in the medullary canal; locking the flexible elbow to achieve intramedullary reduction of the fracture. The method can further include the step of introducing a guide wire into the medullary space through a bony protuberance at an entry portal. Additionally, the guide wire can be reamed through the bony protuberance at an entry portal. The location of the reamed bony canal can be determined by the fracture geometry and bone anatomy. In some embodiments of the method, a sleeve can be advanced along the bone fixation device. In such embodiments, the sleeve can function to unlock the spikes from the fixation device. Once the spikes are unlocked from the fixation device, the spikes then fix the device to the bone. Locking butterfly rings can also be employed to lock the device to the bone. The butterfly rings can be locked to the fixation device in some embodiments. Additionally, the rings can be threaded over the device. In other embodiments, a guide jig guides screws through the butterfly rings. Further self tapping screws lock the butterfly rings to the bone and bone fixation device. A set screw can also be used to lock the device at the fracture site. The device can also be stiffened. In performing the method of the invention, fracture fragments can be reduced.

[000115] Yet another aspect of the invention includes a barb-screw comprising a sleeve, one or more teeth deployable at a distal end of the sleeve, and an actuatable lock adapted to secure the sleeve within the space of the bone from an end of the device.

[000116] Where the proximal end of a device in the anatomical context is the end closest to the body midline and the distal end in the anatomical context is the end further from the body midline, for example, on the humerus, at the head of the humerus (located proximal, or nearest the midline of the body) or at the lateral or medial epicondyle (located distal, or furthest away from the midline); on the radius, at the head of the radius (proximal) or the radial styloid process (distal); on the ulna, at the head of the ulna (proximal) or the ulnar styloid process (distal); for the femur, at the greater trochanter (proximal) or the lateral epicondyle or medial epicondyle (distal); for the tibia, at the medial condyle (proximal) or the medial malleolus (distal); for the fibula, at the neck of the fibula (proximal) or the lateral malleolus (distal); the ribs; the clavicle; the phalanges; the bones of the metacarpus; the bones of the carpus; the bones of the metatarsus; the bones of the tarsus; the sternum and other bones, the device will be adapted and configured with adequate internal dimension to accommodate mechanical fixation of the target bone and to fit within the anatomical constraints. As will be appreciated by those skilled in the art, access locations other than the

ones described herein may also be suitable depending upon the location and nature of the fracture and the repair to be achieved. Additionally, the devices taught herein are not limited to use on the long bones listed above, but can also be used in other areas of the body as well, without departing from the scope of the invention. It is within the scope of the invention to adapt the device for use in flat bones as well as long bones.

[000117] The devices disclosed herein can be deployed in a variety of suitable ways, as would be appreciated by those skilled in the art. For example, a provisional closed reduction of the fracture can be performed wherein a 1.5 to 2 inch incision is made overlying the metaphyseal prominence of the bone. Blunt dissection is then carried to the fascia whereupon the fascia is incised. The surgical approach to the central aspect (anterior-posterior) proceeds by either splitting the tendon or ligament or muscle longitudinally or by elevating structures of the bone in a subperiosteal fashion. The choice of the particular approach varies with respect to the fractured bone that is being treated. A specialized soft tissue retractor is placed onto the bone retracting the soft tissues away from the entry point of the bone.

[000118] A guide wire can then be drilled at an angle into the insertion point along the metaphyseal prominence. The angle of placement of the guide wire along the longitudinal axis of the bone depends on the fracture anatomy and particular bone being treated. The guide wire can then be placed under fluoroscopic guidance. An optimally chosen reamer is introduced over the guide wire opening the metaphyseal entry point. Both devices are then removed.

[000119] A curved guide wire is introduced across the open channel of the metaphysis and is advanced across the fracture site into the diaphysis of the bone. Sequential reaming appropriate for the particular device is performed to prepare the diaphysis. The distance from the fracture site to the entry point is estimated under fluoroscopy and the appropriate device is selected. The reamer is withdrawn and the device is introduced over the guide wire into the metaphysis and across the fracture into the diaphysis. Fluoroscopy confirms the location of the universal joint at the metaphyseal/diaphyseal fracture site. Alternatively, the device is introduced into the metaphysis after the removal of the guide wire.

[000120] The diaphyseal teeth of the device are deployed and the device is rigidly fixed to the diaphysis of the fractured bone distal to the fracture site. Any extension of the fracture into the joint can now be reduced in a closed fashion and held with K wires or in an open fashion via a dorsal approach to the intra-articular portion of the fracture. Metaphyseal locking flanges with targeting outriggers attached are now advanced (in to the metaphyseal bone) across the metaphysis. Using the attached targeting outrigger, guide wires are now

placed through the metaphyseal locking flanges. The guide wires are directed fluoroscopically to stabilize the intra-articular portion of the fracture and/or to stabilize the metaphyseal fracture securely. Holes are drilled over the guide wires with a cannulated drill bit, or alternatively, holes are drilled guided by the outrigger without the use of guidewires and with a non-cannulated drill bit. Then, self tapping screws are advanced over the guide wires to lock the bone to the shaft and metaphyseal locking flange or alternatively, self tapping screws are advanced guided by the outrigger without the use of a guide wire to lock the bone to the shaft and metaphyseal locking flange. The device is now locked within the proximal and distal bone fragments (metaphyseal or diaphyseal) and distal (diaphyseal) bone. This provides for rigid fixation of the comminuted intra-articular fragments to each other, and the fixation between these screws interlocking in to the metaphyseal flange component provides rigid fixation of these intra-articular fragments in the metaphyseal region to the diaphyseal shaft as well. The extremity and fracture is now manipulated until a satisfactory reduction is achieved as visualized under fluoroscopy. Thereafter, the fracture is manipulated under fluoroscopic guidance in order to achieve anatomic alignment of the bone fragments. Once optimal intramedullary reduction is achieved, the universal joint is locked. The fracture is now fixed securely. The guide wire is removed and the wound is closed repairing the periosteum over the metaphyseal entry point and repairing the fascia and closing the skin. A splint may be applied.

[000121] The embodiments shown in Figures 10a-b, 11a-b and 12 are described below, after the discussion of Figs. 13-59.

[000122] Figures 13-15 show details of an actuatable gripper **1070** for use with, *e.g.*, the fracture fixation device embodiments described above. In this embodiment, gripper **1070** has two rotatable cams **1072** and **1074**. Cams **1072** and **1074** are attached by pins **1073** and **1075** to cam arms **1076** and **1078**, respectively. Pins **1073** and **1075** are rotationally and axially fixed to cams **1072** and **1074**. Pins **1073** and **1075** are axially fixed to arms **1076** and **1078** but free to move rotationally. Arms **1076** and **1078** are attached by pins **1077** and **1079** to flanges **1080** and **1082**, respectively. Pins **1077** and **1079** are axially and rotationally fixed to flanges **1080** and **1082**, but arms **1076** and **1078** are only constrained axially and free to move rotationally. Flanges **1080** and **1082** connect with the components on either end of the device. In the undeployed configuration shown in Figures 13 and 14, cams **1072** and **1074** are oriented such that the sharp tips **1085** and **1087** of cam **1072** and the sharp tips **1081** and **1083** of cam **1074** do not extend from the cylinder of the gripper. When foreshortened during deployment, however, movement of flanges **1080** and **1082** toward each other causes cam

arms 1076 and 1078 to rotate about pins 1077 and 1079 with respect to flanges 1080 and 1082 and causes cams 1072 and 1074 to rotate about pins 1073 and 1075 with respect to cam arms 1076 and 1078 so that the sharp tips swing out from the cylinder of the gripper, as shown in Figure 15. Thus, when part of a fracture fixation device that has been inserted into a bone, deployment of the gripper 1070 causes the sharp tips of the cams to dig into the bone to anchor the device. An alternative design combines cams 1072 and 1074 into one integral component.

[000123] In order to prevent inadvertent deployment of the gripper, one or more optional lock wires may be inserted into the gripper. As shown in Figure 13, lock wire channels 1084 and 1086 may be formed in flanges 1080 and 1082, and corresponding channels may be formed in flange 1080. Likewise, lock wire channels may be formed in the cams, such as channel 1088 formed in cam 1074, to line up with the lock wire channels formed in the flanges when the gripper is in its undeployed configuration, thereby permitting a lock wire 1089 to be inserted through the gripper, as shown in Figure 14. Lock wire 1089 must be removed before the gripper can be rotated to its foreshortened deployed configuration, as shown in Figure 15. A lock wire may also be inserted across the gripper through holes 1071.

[000124] Figures 16-18 show a gripper 1090 for use on one end of an actuatable fracture fixation device according to one embodiment of the invention. In this embodiment, a threaded flange 1092 replaces flange 1082 of the earlier gripper embodiment. Internal threads 1094 in flange 1092 interact with a threaded actuator, such as actuator 1614 shown in Figures 10 and 11, for use in foreshortening during deployment.

[000125] Figure 18 also demonstrates an advantage of the grippers 1070 and 1090 shown in Figures 13-18. During insertion into the interior of a bone along a curved insertion path, grippers 1070 and 1090 can adapt to the curve of the insertion path, as shown by the curved line in Figure 18.

[000126] Figures 19-21 show yet another embodiment of a fracture fixation device 1100 according to the invention. In this embodiment, device 1100 has a first gripper 1102 constructed, *e.g.*, like the grippers described above with respect to Figures 13-18, and a second gripper 1104. Extending between grippers 1102 and 1104 is a flexible-to-rigid body 1106. A threaded actuator 1108 with a blunt end 1110 extends through grippers 1102 and 1104, body 1106 and an internally threaded head 1112. A tool engagement feature 1114 extends from one end of actuator 1108 to enable a screw driver or other tool to rotate actuator 1108 to actuate, foreshorten and rigidize fracture fixation device 1100. A curved hub 1116 is attached to the device distal to gripper 1104 (distal relative to the patient). Pins 1111

secure hub **1116** and actuator **1108** axially to the device while still permitting the actuator to rotate with respect to the device and hub. A flange **1113** formed in tool engagement feature **1114** engages a lip **1109** formed on the inside of hub **1116** to transfer any loads from the actuator directly to the hub to avoid overloading pins **1111**. Internal threads **1118** in hub **1116** provide for attachment to a deployment tool (such as, *e.g.*, tool **1300** shown in Figures 34-41) or for the insertion of a plug (not shown) after deployment of fracture fixation device **1100** within a fractured bone. Hub **1116** that transverses the fracture is designed with a larger external diameter than the rest of the device. This features in the hub **1116** limits, during the healing process of the fracture, the amount of bone in-growth and calluses that would otherwise prevent the removal of the device. The external diameter of the hub **1116** is preferably also tapered to facilitate the release and removal of the device. The larger diameter of the hub **1116** during withdrawal leaves behind an opening larger than the rest of the device such as the grippers **1104**, **1108** and flex-to-rigid body **1106** and thus facilitates the removal of the device.

[000127] Figure 22 shows device **1100** of Figures 19-21 without hub **1116**, actuator **1108** and blunt end **110**. As shown, grippers **1102** and **1104** are in the deployed configuration.

[000128] Figures 23-25 show fracture fixation device **1100** of Figures 19-22 deployed within a space **1118** formed in a bone **1120**. Device **1100** has been inserted through an opening **1122** formed in a bony protuberance of bone **1120**, and the grippers **1102** and **1104** have been actuated to grip the interior of the bone. Appropriate tools (such as those discussed herein) have been used to form space **1118** with a curved distal portion (distal with respect to the patient) extending proximally from opening **1122** to a substantially straight proximal portion through one or more fracture areas, such as fracture lines **1124** and **1126**. As shown, hub **1116** is disposed within the curved portion of space **1118** while flexible-to-rigid body **1106** and the grippers **1102** and **1104** are disposed in the substantially straight portion of space **1118**. During delivery to space **1118** in the device's undeployed configuration, grippers **1102** and **1104** and body **1106** are substantially flexible so as to accommodate the curve of the distal portion of the opening. After actuation, however, the device body **1106** becomes rigid through the compression and interaction of its segments during foreshortening and deployment of grippers **1102** and **1104**.

[000129] In this embodiment, hub **1116** is substantially rigid and has a curve approximating that of the curved portion of opening **1118**. In some embodiments of the method of this invention, some or all of hub **1116** is placed on one side of a bone fracture while the remainder of the fracture fixation device is placed on the other side of the fracture.

[000130] In some embodiments, hub 1116 is made of PEKK or PEEK implantable grade material and may be injection molded. Using the tools of this invention, a hole through bone 1120 may be drilled at any angle and through any portion of hub to permit a screw to be inserted through the bone and fixation device. In Figure 23, one screw 1128 has been inserted through hub 1116 to help anchor device 1100 within the bone and to hold bone fragment 1125 to the main portion of the bone 1120. In Figures 24 and 25, multiple screws 1128 have been inserted in various positions and orientations. These figures illustrate the ability to place screws wherever needed and at whatever orientation required.

[000131] According to aspects of the invention, it has been discovered that placing a screw 1128 through the back of hub 1116 and just below the subchondral bone (superficially and proximally of the subchondral bone) prevents the subchondral bone from moving proximally after removal of the cast. This undesirable subchondral bone migration can otherwise occur when forces from the hand tendons crossing the fracture draws the subchondral bone proximally (relative to the patient) when the hand is used before the bone fracture is completely healed. In some embodiments of the invention, it is preferable to insert at least one screw 1128 in a dorsal to volar direction, and at least one other screw in a volar to dorsal direction, such as shown by the example depicted in Figure 24. Such an arrangement of screws 1128 may form a cross pattern as shown, or screws 1128 may be generally parallel but in opposing directions. In some embodiments, it is desirable to form a cross pattern so as to capture four cortices of bone around the fracture. A third screw can be added in a more proximal to distal orientation to form a very strong triangle of bone fixation. Screw holes in hub 1116 may be preformed, may be formed in situ, or a combination thereof.

[000132] Figures 26-31 show details of a gripper 1104 for use with a fracture fixation device, such as the devices of Figures 1-5, 6-12 or 19-25. Figures 26 and 27 show gripper 1104 in an undeployed configuration. Figures 28-31 show gripper 1104 in deployed configurations. Gripper 1104 has three sets of anchor elements, with each set including a first anchor leg 1130 and a second anchor leg 1132. Anchor leg 1130 is connected to flange 1134 and extends toward flange 1136, and anchor leg 1132 is connected to flange 1136 and extends toward flange 1134. Legs 1130 and 1132 are rotatably connected by a pin 1138 that is fixedly attached to leg 1130. Leg 1132 rotates freely about pin 1138. A larger head portion 1139 on pin 1138 keeps leg 1132 rotatably mounted on pin 1138. In the undeployed configuration of Figures 26 and 27, legs 1130 and 1132 lie substantially parallel to each other within the circular projection of flanges 134 and 136. When the fracture fixation device is actuated by, *e.g.*, turning an actuator 1108 to foreshorten the device (as shown in Figure 31),

flanges **1134** and **1136** are moved closed together. This movement causes the outer edges **1140** and **1142** of legs **1130** and **1132**, respectively, to rotate radially outwardly to grip the inside surface of the bone in a deployed configuration, as shown, *e.g.*, in Figures 23-25. Movement of flanges **1134** and **1136** away from each other retracts legs **1130** and **1132** toward and into their undeployed configuration for repositioning and/or removal of the device from the bone. Cut-outs **1135** formed in gripper **1104** mate with corresponding shapes in the hub to provide a rotational keying feature enabling the transmission of torque from the hub to the rest of the device without overloading the pins connecting the hub to gripper **1104**, as shown in Figures 29 and 31.

[000133] Figures 32 and 33 show yet another embodiment of a fracture fixation device according to the invention. Like the embodiment shown in Figures 19-31, device **1200** has a curved hub **1216**, a distal gripper **1204** (formed, *e.g.*, like gripper **104** of the prior embodiment), a flexible-to-rigid body **1206** and two proximal grippers **1201** and **1202** (each formed, *e.g.*, like gripper **102** of the prior embodiment). Pins **1211** attach hub **1216** to gripper **1204**. As in the embodiment of Figures 19-31, a threaded actuator **1208** cooperates with an internally threaded head **1212** to foreshorten and actuate the device. The sectional view of Figure 33 shows a threaded plug **1217** that has been inserted into the distal opening of hub **1216** to seal the device after actuation.

[000134] As seen from the discussion above, the devices of this invention can be easily modified by adding grippers or by placing grippers in different positions on the device to address fractures where more gripping forces are needed.

[000135] Figures 34-39 show a deployment tool **1300** for use with a fracture fixation device **100** of this invention. As shown in Figure 34, the hub **1116** of fixation device **1100** connects to a stem **1302** of tool **1300**. Hub **1116** may be provided with, *e.g.*, alignment features **1115** and attachment features **1114** for this purpose, as shown, *e.g.*, in Figure 23. This connection orients fixation device **1100** with tool **1300**. In particular, tool **1300** aids in the use of a fixation device actuation tool and alignment of a drill with the fixation device's hub after the device has been deployed within a fractured bone and in the insertion of screws into the hub and bone.

[000136] Access to the interior of fixation device **1100** is provided by a port **1304** through stem **1302** so that, *e.g.*, a flexible screw driver **1306** may be inserted through hub **1116** to device feature **1114** of actuator **1108**, as shown in Figure 36. Rotation of flexible screw driver **1306** and actuator **1108** moves device **1100** from an undeployed flexible configuration to a deployed rigid configuration, as shown in Figures 42 and 43 (which show the interaction

of flexible screw driver **1306** and fixation device **1100** outside of tool **1300**). A flexible ring **1308** may be provided to interact with a groove **1310** formed in flexible screw driver **1306** to provide proper axial positioning between the screw driver and the tool engagement feature **1114** of actuator **1108** while still permitting the flexible screw driver to rotate.

[000137] Tool **1300** also helps orient a drill and enables it to find the hub of the fixation device even when the fixation device is inside the bone and cannot be seen by a user. When fixation device **1100** is properly attached to stem **1302**, the bore **1321** of drill guide **1320** points toward the device's hub **1116** even when the drill guide is rotated along curved guide **1300** or translated along grooves **326**. In order to provide the user with flexibility in drill placement (*e.g.*, in order to place one or more screws through hub **1116** as shown in Figures 23-25), tool **1300** permits drill guide **1320** to be moved with respect to stem **1302** and attached hub **1116**. Drill guide **1320** may be translated proximally and distally with respect to hub **1116** by loosening knob **1322** and moving support **1324** along grooves **1326**. In addition, drill guide **1320** may be rotated about hub **1116** by loosening knob **1328** and moving drill guide **1320** along curved groove **1330**.

[000138] Figures 37-41 show tool **1300** being used to guide a drill **1332** toward and through hub **116** (and through the bone, as shown in Figure 41). The drill sleeve **1333** surrounding drill bit **1332** is held in place within bore **1321** by a thumb screw **1334**. An external x-ray visible aim **1340** may extend from drill guide **1320** to show on x-rays the orientation of the drill bit **1332** and projected trajectory within the patient's bone, as shown in Figure 39. The drill bit may be provided with a scale to show depth of the drilled hole and, therefore, the length of the screw needed. In some embodiments, the drill **332** may have a sharp tip to reduce skittering of the drill against the device hub and/or bone during drilling. The tip included angle may be less than 100° and preferably between 25° and 35° to ensure penetration of the hub.

[000139] Figures 40-41 show an alternative planar tool **11300** being used to guide a drill **11332** toward and through the hub **1116** of a fracture fixation device. As with the earlier embodiment, access to the interior of fixation device **1100** is provided by a port **11304** through a stem **11302** so that, *e.g.*, a flexible screw driver may be inserted through hub **1116** to device actuator **1108**. A flexible ring **11308** may be provided to interact with a groove formed in the flexible screw driver to provide proper axial positioning between the screw driver and the tool engagement feature **1114** of actuator **1108** while still permitting the flexible screw driver to rotate.

[000140] Like the deployment tool described above, tool **11300** also helps orient a drill and enables it to find the hub of the fixation device even when the fixation device is inside the bone and cannot be seen by a user. When fixation device **1100** is properly attached to stem **11302**, the bore of drill guide **11320** points toward the device's hub **1116** even when the drill guide is translated along grooves **11326** or is rotated about the axis of knob **11322**. In order to provide the user with flexibility in drill placement (*e.g.*, in order to place one or more screws through hub **1116** as shown in Figures 23-25), tool **11300** permits drill guide **11320** to be moved with respect to stem **11302** and attached hub **1116**. Drill guide **11320** may be translated proximally and distally with respect to hub **1116** by loosening knob **11322** and moving support drill guide **11320** along grooves **11326**. In addition, drill guide **11320** may be rotated about stem **11302** and hub **1116**.

[000141] Figures 44-48 show another embodiment of a gripper **1350** for use with a fracture fixation device. As shown, gripper **1350** is designed to be used on the leading end of the fixation device. It should be understood that this gripper could be used at other points in the fixation device as well.

[000142] Extending between flange **1352** and nose cone flange **1354** are two sets of anchor elements. Anchor legs **1356** are rotatably attached to flange **1352** and extend toward flange **1354**, and split anchor legs **1358** are rotatably attached to nose cone flange **1354** and extend toward flange **1352**. Anchor legs **1356** are disposed in the split **1357** of anchor legs **1358**. Legs **1356** and **1358** are rotatably connected by a pin **1360**. In the undeployed configuration of Figures 44 and 45, legs **1356** and **1358** lie substantially parallel to each other within the cylinder of flanges **1352** and **1354**. When the fracture fixation device is actuated by, *e.g.*, turning an actuator to foreshorten the device, flanges **1352** and **1354** are moved closer together. This movement causes the outer edges **1362** and **1364** of legs **1356** and **1358**, respectively, to rotate outward to grip the inside surface of the bone in a deployed configuration, as shown, *e.g.*, in Figures 46-48. Movement of flanges **1352** and **1354** away from each other retracts legs **1356** and **1358** toward and into their undeployed configuration for repositioning and/or removal of the device from the bone. A lock wire (shown in phantom in Figure 44) disposed in channels **1366** formed in projections **1368** extending between the two sides of the proximal anchor legs **1358** prevents inadvertent actuation of the anchors. Stop surfaces **1370** and **1372** on flanges **1352** and **1354**, respectively, meet to provide a limit to extension of gripper **1350**, as shown in Figure 48.

[000143] Figures 49-50 show another embodiment of a fracture fixation device **1400** similar to device **1100** shown in Figures 19-25 using a distal gripper **1402** similar to that shown in

Figures 44-48. Instead of a threaded rotating actuator, however, device **1400** uses a ratcheting actuator **408**. Actuator passes through device hub **1416**, gripper **1402** and flexible-to-rigid body **1406** to a flange (not shown) at the other end of the fixation device. To foreshorten and actuate the fixation device (thereby extending the grippers and rigidizing the flexible-to-rigid body, actuator **1408** is tensioned by pulling in the direction of the arrow in Figure 49 while keeping the rest of the device **1400** stationary. As it moves distally, ridges **1410** formed in actuator push against a cam surface **1412** formed in crown **1414** in ratchet **1417**, expanding the crown enough to permit the ridges to pass through. After passing through the crown, surface **1420** of ridge **1410** meets a stop surface **1422** of ratchet crown **1414**, thereby preventing proximal movement of actuator **1408** after it has been tensioned. After deployment of the fracture fixation device within a fractured bone, the portion of actuator **1408** extending from the end of the device after suitable tensioning may be cut and removed. A tool (not shown) may be used to release the ratchet in the event fixation device **1400** must be repositioned or removed.

[000144] Figures 51-52 show yet another embodiment of a fracture fixation device **1500** similar to that of Figures 49-50. Flexible body has two concentric tubular members **1506A** and **1506B** with opposing clockwise/counterclockwise helical cuts. In order to rigidize flexible body **506** and deploy gripper **1502**, actuator **1508** is tensioned in the direction of Arrow A in Figure 51. As it moves in that direction, ridges **1510** of actuator **1508** move against cam surfaces **1512** of ratchet members **1514**, which rotate outwardly around pins **1516**. The interaction of face **1518** of ridge **1510** with face **1520** of ratchet member **1514** prevents actuator **1508** from moving back the direction it came. The actuator **1508** may be released from the ratchet by using a tool (not shown) to move the ratchet members **1514** to the position shown in Figure 52.

[000145] Figures 53-59 show alternative designs for the flexible body of a fracture fixation device according to this invention. Figures 53 and 54 show helical wavy cuts formed in the flexible-to-rigid body so that it is flexible when not compressed and rigid when foreshortened and compressed. Figure 55 shows a canted helical wavy cut formed in the flexible-to-rigid body. Figures 56 and 57 show canted angles formed in the helical cuts of the flexible-to-rigid body. Figures 58 and 59 show a helical cut to form the flexible-to-rigid body. As in the earlier embodiments, the shape of the helical turns enables the transmission of bending and torque along the flexible-to-rigid body, in addition to the rigidizing function the body performs.

[000146] Figures 10a-10b, 11a-11b and 12 show an alternative embodiment of a fracture fixation device **1600** according to aspects of the invention. In Figures 10a-10b, device **1600** is shown in a retracted state, and in Figures 11a-11b and Figure 12, device **1600** is shown in a deployed state. Like some earlier embodiments, fixation device **1600** has a hub **1602**, grippers **1604** and **1606** and a flexible-to-rigid body **1608**. Grippers **1604** and **1606** may be constructed in a manner similar to gripper **1070** shown in Figures 13-15 and described above. One or more additional flexible-to-rigid body sections may be used, such as section **1610** located between gripper **1604** and nose cone **1612** as shown. A threaded actuator **1614** extends through the device to threadably engage nose cone **1612**. A rotational tool engagement portion **1616** may be provided on the hub end of the actuator **1614** to rotate the actuator.

[000147] After device **1600** is inserted in place within an intramedullary space of a fractured bone and spanning a fracture site, actuator **1614** may be rotated with a tool inserted in portion **1616**. As actuator **1614** is rotated, threaded nose cone **1612** travels distally with respect to the grippers and the flexible-to-rigid components while hub **1602** remains stationary. This action foreshortens device **1600** to deploy grippers **1604** and **1606** and to rigidize components **1608** and **1610**. When deployed to the configuration shown in Figures 11a-11b and Figure 12, grippers **1604** and **1606** tilt outward to dig their tips into the interior surface of the bone. To reposition or remove device **1600** from the bone, the actuator may be rotated in the other direction to release the grippers and to permit the flexible-to-rigid components to become flexible again.

[000148] Figures 60a-60b and 61a-61b show an alternative embodiment of a fracture fixation device **1700** according to aspects of the invention. In Figures 60a-60b, device **1700** is shown in a retracted state, and in Figures 61a-61b, device **1700** is shown in a deployed state. Like some earlier embodiments, fixation device **1700** has a hub **1702**, grippers **1704** and **1706** and a flexible-to-rigid body **1708**. Gripper **1704** may be constructed in a manner similar to gripper **1070** shown in Figures 13-15 and described above. Tripod gripper **1706** may be constructed in a manner similar to gripper **1104** shown in Figures 22-33 and described above. A threaded actuator **1714** extends through the device to threadably engage nose cone **1712**. A rotational tool engagement portion **1716** may be provided on the hub end of the actuator **1714** to rotate the actuator. A threaded cap **1717** may be provided to close opening of hub **1702** after fixation of the fracture to prevent bone and tissue ingrowths. A stop element, such as ball **1718**, may be crimped, welded or otherwise attached to the opposite end of actuator **1714** to prevent the actuator from being turned so far in the gripper

retraction direction that actuator 1714 disengages from nose cone 1712 and device 1700 comes apart, particularly after insertion into the bone.

[000149] The bent tip of a safety wire 1720 may be engaged in the aligning holes of a pair of arms of gripper 1706 when in a retracted position, as shown in Figures 60a-60b. Such an arrangement can help ensure that tripod gripper 1706 does not prematurely deploy as device 1700 is being inserted into a medullary canal. After device 1700 is inserted into the medullary canal, safety wire 1720 may be disengaged and removed. Actuator 1714 can then be rotated, drawing nose cone 1712 toward the hub end of device 1700 to actuate grippers 1704 and 1706 in a radially outward direction, and compressing body section 1708 in an axial direction to change it from a flexible state to a rigid state as previously described.

[000150] Figures 62a and 62b shown an alternative gripper design embodiment, similar to gripper 1070 shown in Figures 13-15 and described above, for use with, *e.g.*, the fracture fixation device embodiments described above. In this embodiment, gripper 1870 has two rotatable cams 1872 and 1874. Cam 1874 is attached by pins 1873 and 1875 to cam arms 1892 and 1893, respectively. Cam arms 1892 and 1893 attach by pins 1894 and 1895 to flanges 1882 and 1880, respectively. Similarly, cam 1872 is attached by pins 1890 and 1891 to cam arms 1876 and 1878, respectively. Cam arms 1876 and 1878 attach by pins 1877 and 1879 to flanges 1880 and 1882, respectively. Pins 1873, 1875, 1877, 1879, 1890, 1891, 1894 and 1895 may be fabricated longer than necessary to ease assembly of gripper 1870. Each pin can include a stress concentration 1896 so that once the pin is inserted in its proper position and held in place by a press fit, welding or other means, the excess portion of the pin may be snapped off. Flanges 1880 and 1882 connect with the components on either end of the device.

[000151] In an undeployed configuration, cams 1872 and 1874 are oriented such that the sharp tips 1885 and 1887 of cam 1872 and the sharp tips 1881 and 1883 of cam 1874 do not extend from the cylinder of the gripper. When foreshortened during deployment, however, movement of flanges 1880 and 1882 toward each other causes cam arms 1876 and 1878 to rotate about pins 1877 and 1879 with respect to flanges 1880 and 1882 and causes cam 1872 to rotate about pins 1890 and 1891 with respect to cam arms 1876 and 1878 so that the sharp tips swing out from the cylinder of the gripper, as shown in Figure 62a. Similarly, movement of flanges 1880 and 1882 toward each other causes cam arms 1892 and 1893 to rotate about pins 1894 and 1895 with respect to flanges 1882 and 1880 and causes cam 1874 to rotate about pins 1873 and 1875 with respect to cam arms 1892 and 1893 so that the sharp tips swing out from the cylinder of the gripper, as also shown in Figure 62a. Thus, when part of a

fracture fixation device has been inserted into a bone, deployment of the gripper 1870 causes the sharp tips of the cams to dig into the bone to anchor the device. It should be noted that unlike cams 1072 and 1074 of gripper 1070 shown in Figures 13-15, cams 1872 and 1874 of gripper 1870 shown in Figures 62a-62b rotate in opposite directions when deployed.. It should also be noted that in all embodiments disclosed herein, in the event of inadvertent breakage of an actuator or other component, the grippers are configured to nonetheless be able to return to a retracted position so that the device may be removed from its implanted position in the bone.

[000152] Figure 63 shows an embodiment of an outrigger tool 800. The outrigger 800 allows precise placement of ancillary devices to the primary implant. An ancillary device includes a K-wire, screw, biological matrix, allograft, therapeutic, and or other material to aid in bone reconstruction. The outrigger provides a datum that acts as an interface to the primary datum of the primary implant. As such, the outrigger sets the coordinate system for placement of ancillary material. In the case of a bone screw or K-wire, the outrigger ensures the bone screw creates a bone, implant bone interface and prevents interference or destruction of important soft tissue. In the case of a bone screw for the distal radius, the outrigger ensures the bone screw attaches bone to the hub of the implant and further ensures that the screw cannot penetrate the radial ulnar joint or the epiphysis. In the case of the placement of biological matrices, osteogenic protein can be placed at the fracture site using the outrigger and x-ray guidance. In the case of therapeutic materials, the outrigger allows precise positioning of these materials for maximum effectiveness. The outrigger has an interface to the implant that is easily attached and removed by the surgeon. In one embodiment the attachment is a threaded collar, another embodiment includes a bayonet, and yet another embodiment includes a cantilever snap fit. Once attached to the implant the outrigger and implant form an integral unitary construction. The outrigger can be used to push and pull the implant into and out of the intramedullary canal. The outrigger can serve as an interface to drive the implant into the intramedullary space with a kinetic energy device such as a hammer. The outrigger has an orifice that accommodates a guidewire or ratcheting guidewire. The outrigger can have an implement that applies a relative force in the opposite direction of the patient on the guidewire or ratcheting guidewire. As such the guidewire is pulled out of the patient and in the case of the ratcheting guidewire, the implant is expanded and the implant forms a secure attachment to the diaphyseal bone. The outrigger can be used with a variety of hubs. The outrigger can be used with a variety of bone repair device designs and

does not need to be self-locking. The bone-device-bone interface enables it to stay in position.

[000153] Outrigger 800 has a connector portion 810 that connects to the hub and enables drilling through bone into the hub of the target implant, such as those described above. In this embodiment, thumbscrew 820 is used to secure the hub to connector portion 810. A feature of the outrigger is that it enables drilling holes into the center of the hub without visualization. Additionally, the sliding drill hole member on the outrigger allows a large variation of angles that cross the hub. As will be appreciated by those skilled in the art, the optimal angle will be effected by the geometry of the broken bone to be repaired. After the starter screw hole is drilled in the bone, the drill is removed and a screw is inserted into the same outrigger hole, thereby guiding the screw to the starter-hole in the bone.

[000154] While preferred embodiments of the present invention have been shown and described herein, it will be obvious to those skilled in the art that such embodiments are provided by way of example only. Numerous variations, changes, and substitutions will now occur to those skilled in the art without departing from the invention. It should be understood that various alternatives to the embodiments of the invention described herein may be employed in practicing the invention.

WHAT IS CLAIMED IS:

1. A bone fixation device comprising:
 - an elongate body having a longitudinal axis and having a flexible state and a rigid state;
 - a plurality of grippers disposed at longitudinally spaced locations of the elongated body;
 - a curved rigid hub connected to the elongated body; and
 - an actuator operably connected to the grippers to deploy the grippers from a first shape to an expanded second shape.
2. The bone fixation device of claim 1 wherein the actuator is operably connected to the elongate body to change the elongate body from its flexible state to its rigid state.
3. The bone fixation device of claim 1 wherein the second shape of at least one gripper is shorter along the longitudinal axis in its expanded second shape than in its first shape.
4. The bone fixation device of claim 1 wherein the actuator is operably connected to a first gripper disposed at a proximal end of the elongate body and a second gripper disposed at a distal end of the elongate body to expand the first and second grippers simultaneously.
5. The bone fixation device of claim 1 wherein a first gripper comprises an element that pivots away from longitudinal axis of the elongated body when the first gripper is deployed from the first shape to the second shape.
6. The bone fixation device of claim 5 wherein the first gripper comprises two sets of oppositely disposed pivoting elements at the same axial location of the elongate body, the pivoting elements adapted to pivot away from longitudinal axis of the elongated body when the first gripper is deployed from the first shape to the second shape.
7. The bone fixation device of claim 5 wherein the first gripper comprises three sets of oppositely disposed pivoting elements at the same axial location of the elongate body, the pivoting elements adapted to pivot away from longitudinal axis of the elongated body when the first gripper is deployed from the first shape to the second shape.

8. The bone fixation device of claim 5 wherein the first gripper comprises a pair of pivoting elements disposed on opposite sides of the elongate body at the same axial position of the elongate body.
9. The bone fixation device of claim 8 wherein the pair of pivoting elements are connected to the elongate body so as to rotate in the same direction when the first gripper is deployed from the first shape to the second shape.
10. The bone fixation device of claim 8 wherein the pair of pivoting elements are connected to the elongate body so as to rotate in opposite directions when the first gripper is deployed from the first shape to the second shape.
11. The bone fixation device of claim 5 wherein the first gripper has one bone engaging surface that pivots radially outward from the elongate body.
12. The bone fixation device of claim 5 wherein the first gripper has two bone engaging surfaces that pivot radially outward from the elongate body.
13. The bone fixation device of claim 1 wherein the actuator comprises a ratchet permitting movement of the actuator only in a deployment direction.
14. The bone fixation device of claim 13 further comprising a ratchet release.
15. The bone fixation device of claim 1 wherein the actuator is threaded.
16. The bone fixation device of claim 1 wherein the actuator is rotatable with respect to the grippers.
17. The bone fixation device of claim 1 wherein the curved hub comprises screw holes.
18. The bone fixation device of claim 1 wherein the hub comprises a drill alignment tool interface.

19. A method of repairing a fracture of a bone, the method comprising:
inserting a bone fixation device into an intramedullary space of the bone to place at least a portion of an elongate body of the fixation device in a flexible state on one side of the fracture and at least a portion of a curved rigid hub on another side of the fracture; and
operating an actuator to deploy a plurality of grippers of the fixation device to engage an inner surface of the intramedullary space to anchor the fixation device to the bone.
20. The method of claim 19 further comprising rigidizing the elongate body after the inserting step.
21. The method of claim 20 wherein the rigidizing step comprises operating the actuator.
22. The method of claim 19 wherein the operating step comprises shortening one of the grippers.
23. The method of claim 19 wherein the operating step comprises pivoting a pivotable gripper element away from a longitudinal axis of the elongate body.
24. The method of claim 23 wherein the operating step comprises pivoting at least two pivotable gripper elements away from a longitudinal axis of the elongate body, the pivotable gripper elements being disposed at different axial locations on the elongate body.
25. The method of claim 23 wherein the pivoting step comprises moving two bone engaging surfaces of the pivotable gripper element into engagement with the bone.
26. The method of claim 23 wherein the pivoting step comprises moving two sets of pivotable gripper elements away from the longitudinal axis of the elongate body, the two sets being disposed on opposite sides of the elongate body at the same axial position.
27. The method of claim 23 wherein the pivoting step comprises moving three sets of pivotable gripper elements away from the longitudinal axis of the elongate body, the three sets being disposed around the elongate body at the same axial position.

28. The method of claim 23 wherein the pivoting step comprises pivoting a pair of pivoting elements disposed on opposite sides of the elongate body at the same axial position so that two surfaces of each pivoting element engage the inner surface of the intramedullary space.
29. The method of claim 28 wherein the pivoting step comprises rotating the pivoting elements in the same direction.
30. The method of claim 28 wherein the pivoting step comprises rotating the pivoting elements in opposite directions.
31. The method of claim 19 wherein the operating step comprises moving the actuator longitudinally with respect to the fixation device.
32. The method of claim 31 further comprising engaging a ratchet with the actuator to permit movement of the actuator only in a deployment direction.
33. The method of claim 32 further comprising disengaging the ratchet.
34. The method of claim 19 wherein the operating step comprises rotating the actuator with respect to the fixation device.
35. The method of claim 19 further comprising inserting a screw through the bone and the hub.
36. The method of claim 35 further comprising forming a hole through the bone and the hub prior to inserting the screw.
37. The method of claim 35 wherein the step of inserting a bone fixation device comprises inserting a fixation device comprising a curved hub with a preformed hole, the step of inserting a screw comprising inserting a screw through the bone and the preformed hole.
38. The method of claim 37 wherein the curved hub has a plurality of preformed holes, the method comprising inserting a first screw dorsal to volar through two portions of the bone

and a first and second of the preformed holes and inserting a second screw volar to dorsal through two other portions of the bone and a third and fourth of the preformed holes.

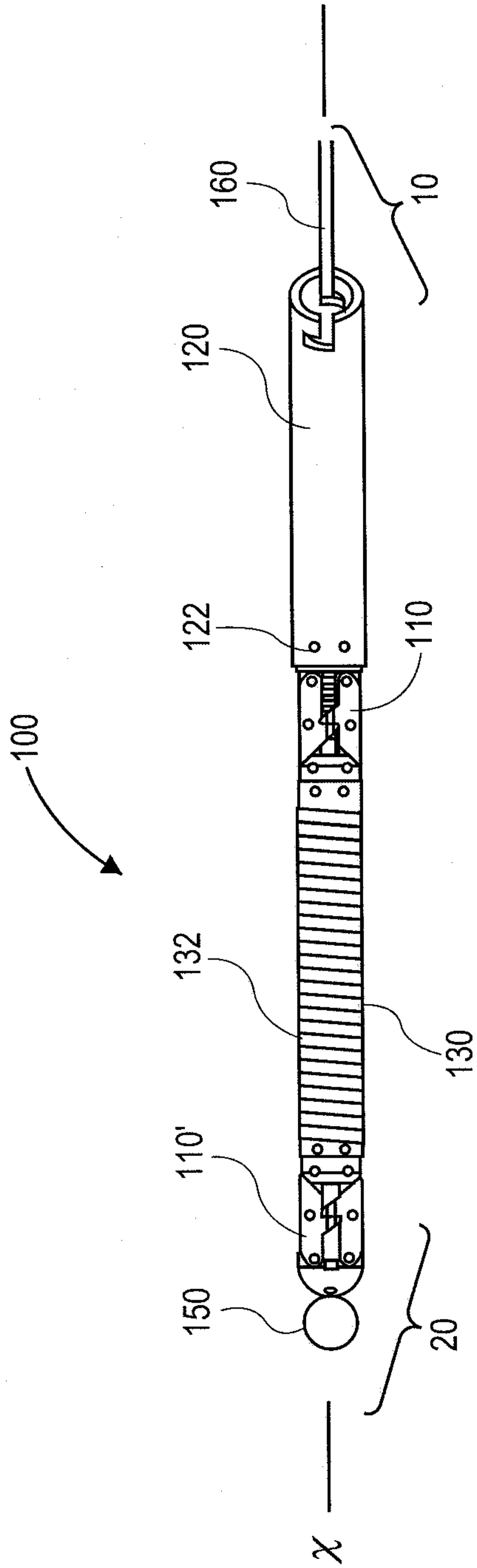
39. The method of claim 38 further comprising inserting a third screw proximal to distal through two more portions of the bone and fifth and sixth of the preformed holes of the hub.

40. The method of claim 35 further comprising attaching a drill alignment guide to the hub and aligning a drill bit with the hub using the drill alignment guide.

41. The method of claim 19 wherein the insertion of the bone fixation device into an intramedullary space of the bone comprises the use of a guidewire.

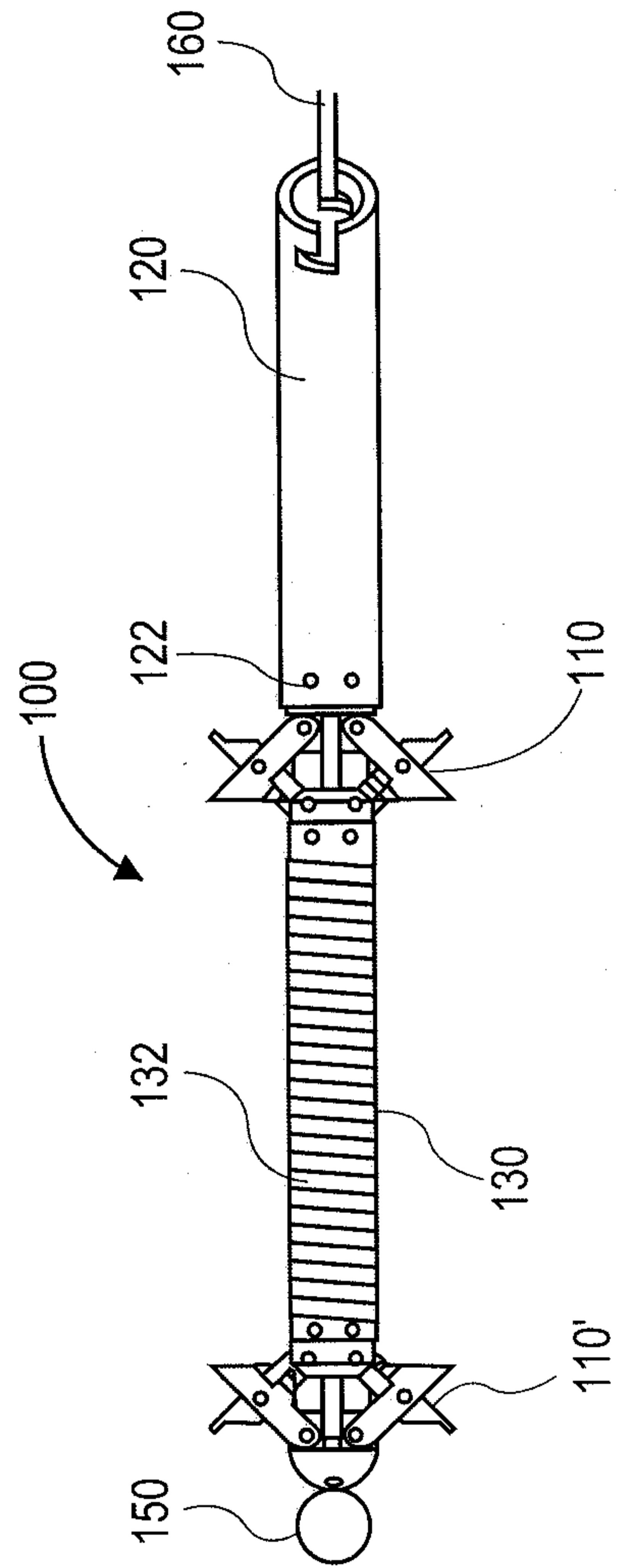
42. The method of claim 41 wherein the guidewire also serves to operate the actuator after the bone fixation device is inserted into the bone.

43. The method of claim 41 wherein the guidewire is used to guide tools in preparing the intramedullary space of the bone prior to inserting the bone fixation device.



RETRACTED SIDE VIEW

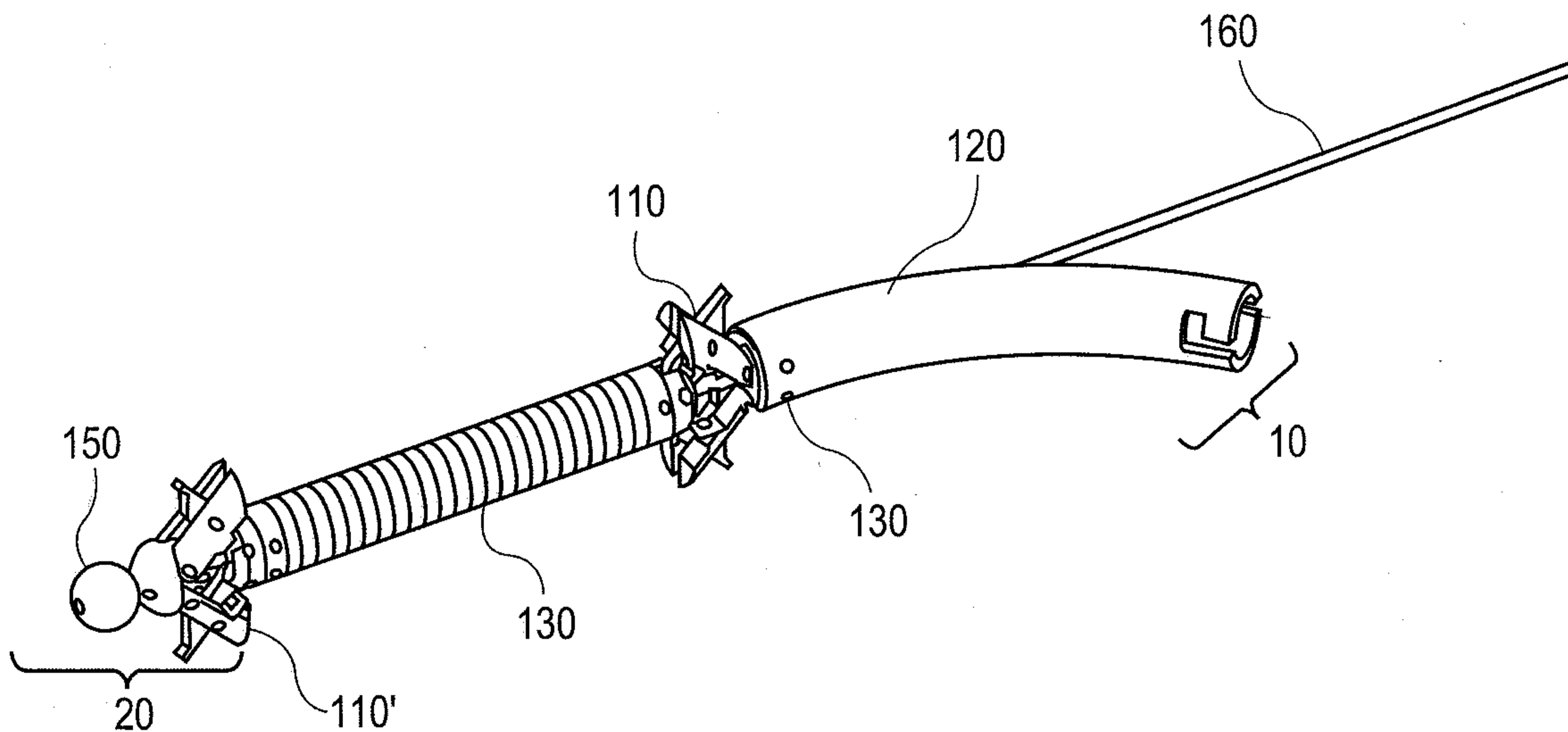
FIG. 1A



DEPLOYED SIDE VIEW

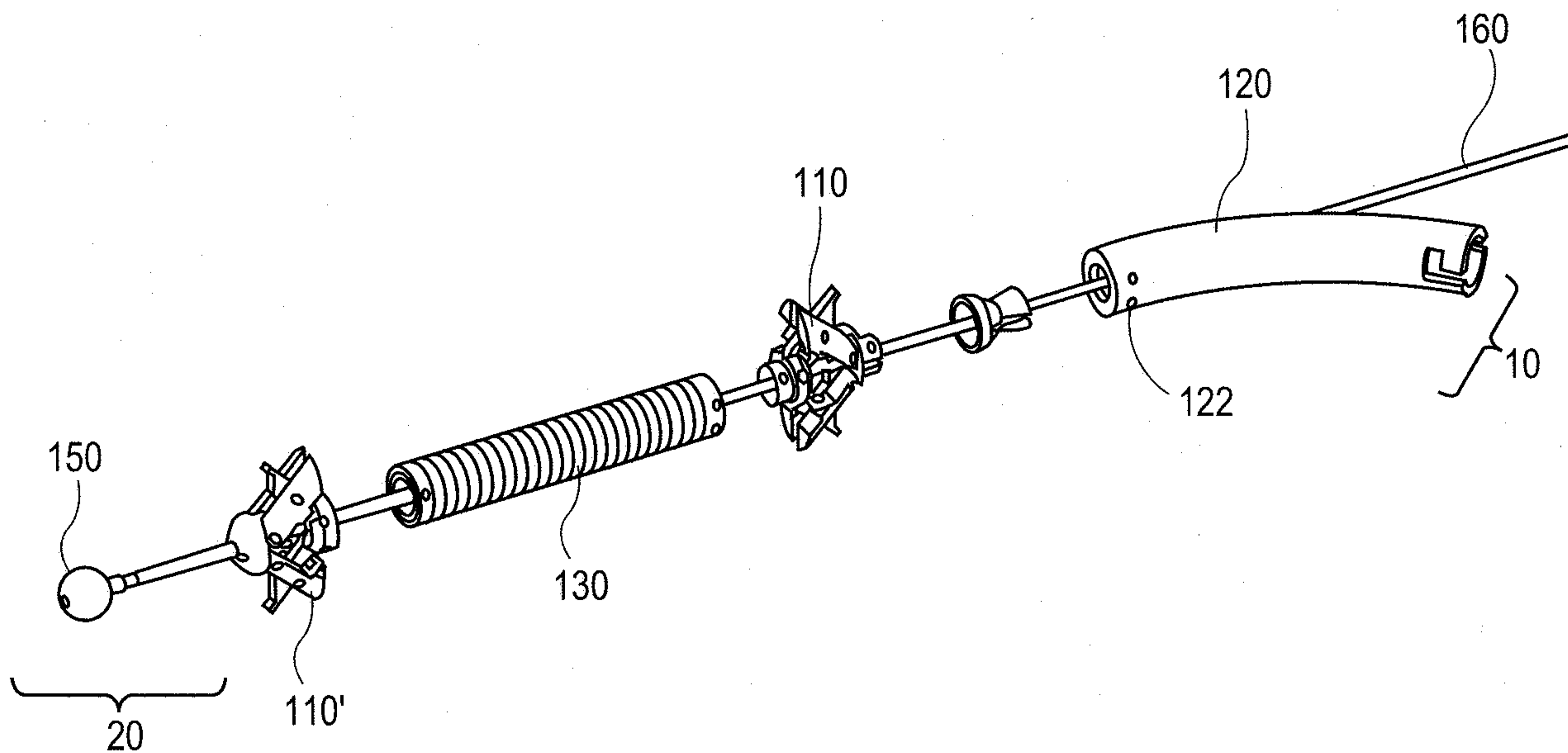
FIG. 1B

2/71



DEPLOYED ISO

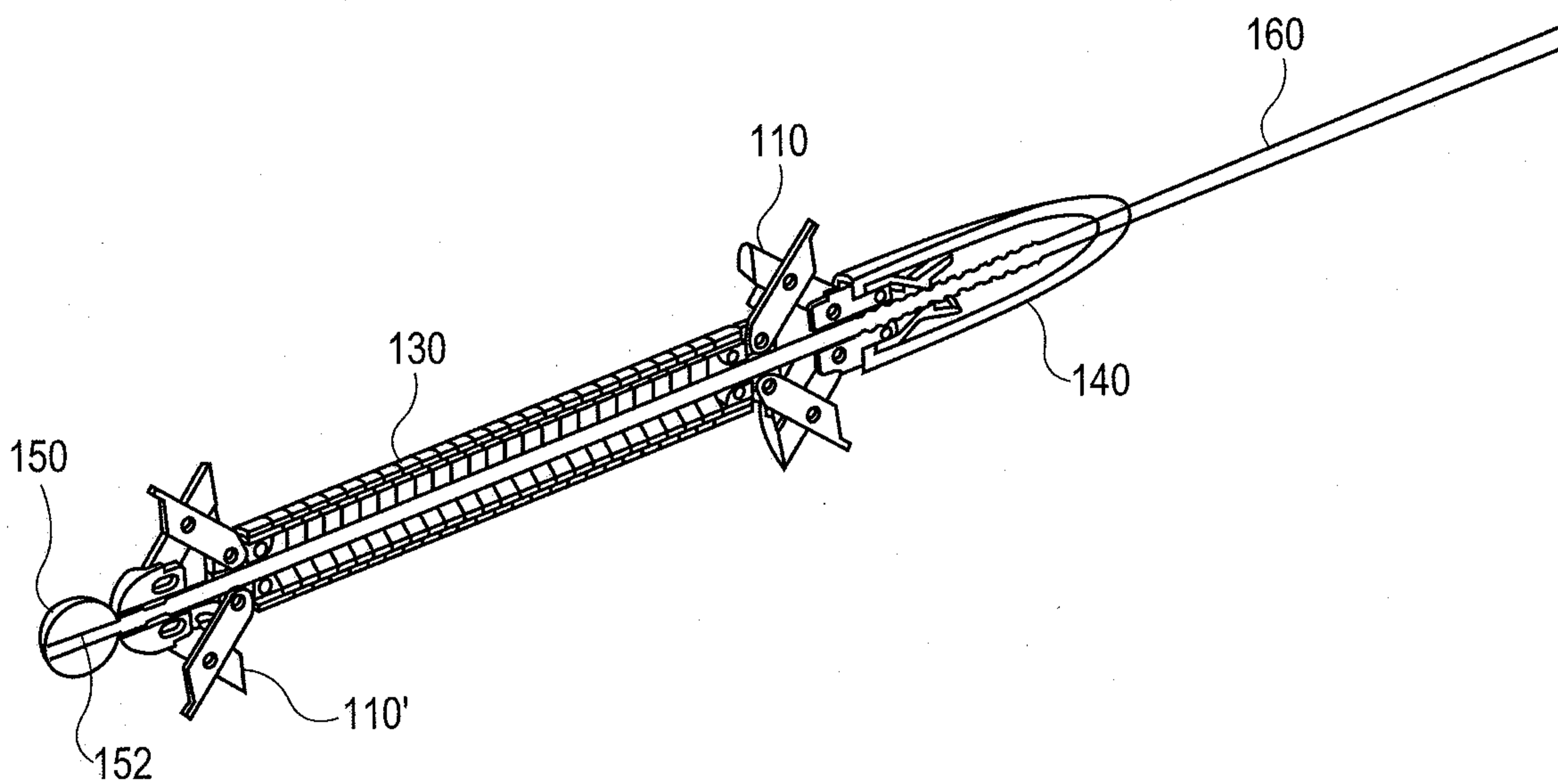
FIG. 1C



EXPLODED ASSEMBLY

FIG. 1D

3/71



CROSS-SECTION DEPLOYED

FIG. 1E

4/71

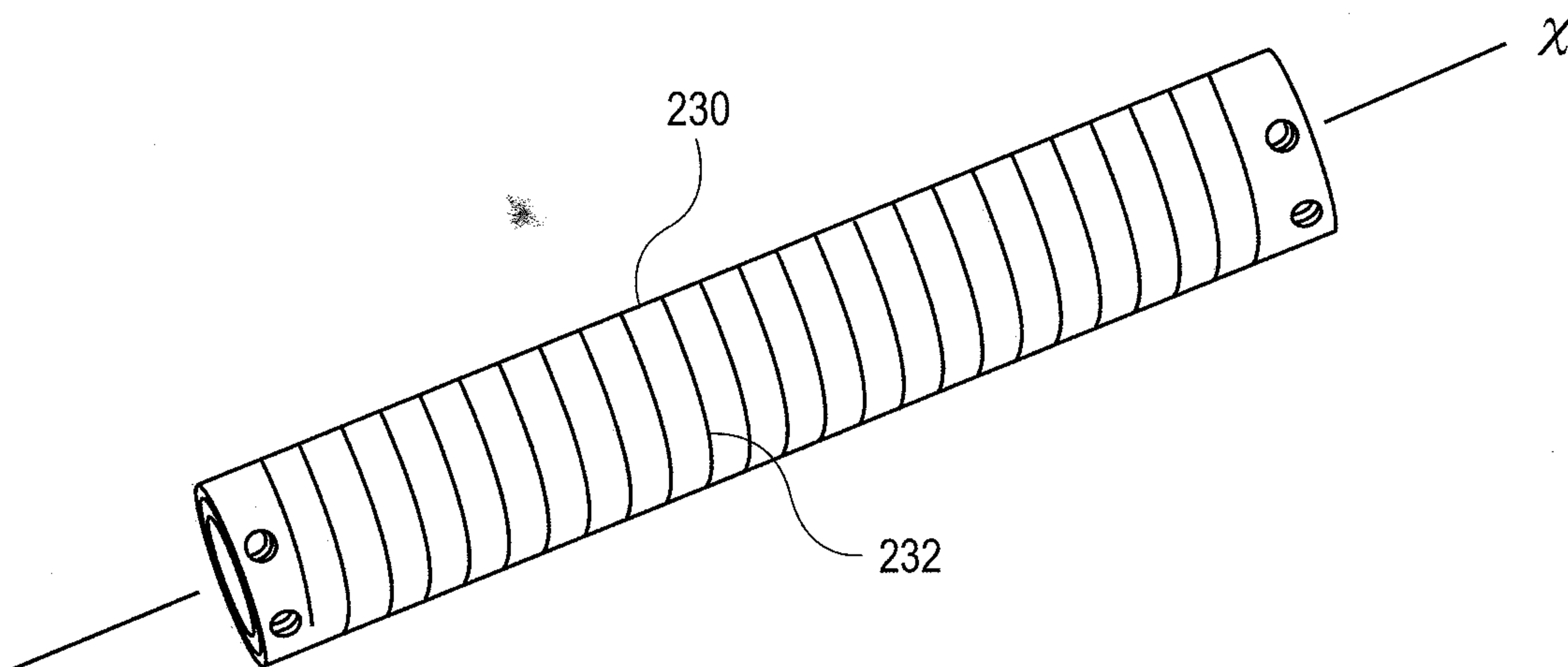


FIG. 2A

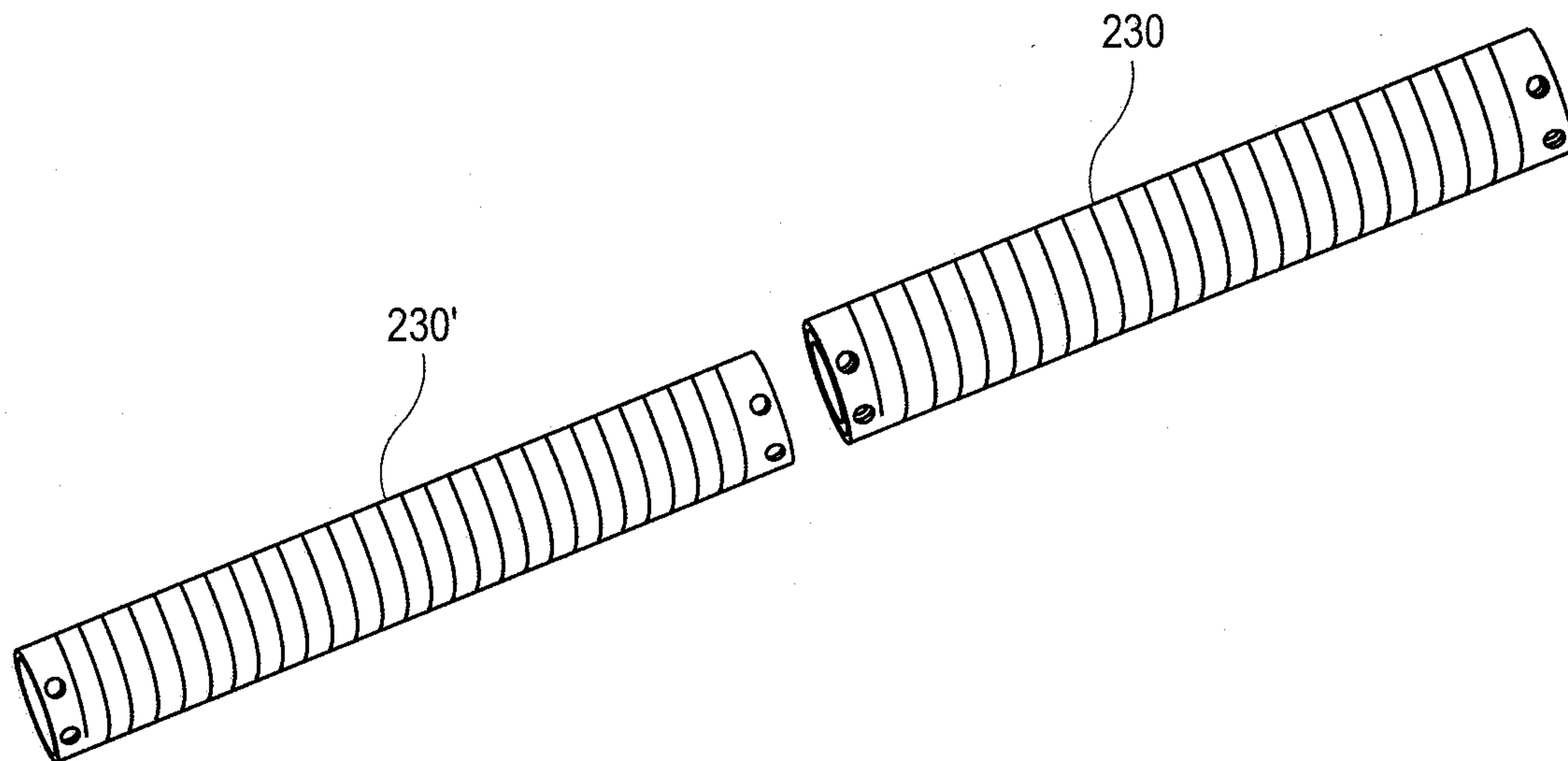


FIG. 2B

5/71

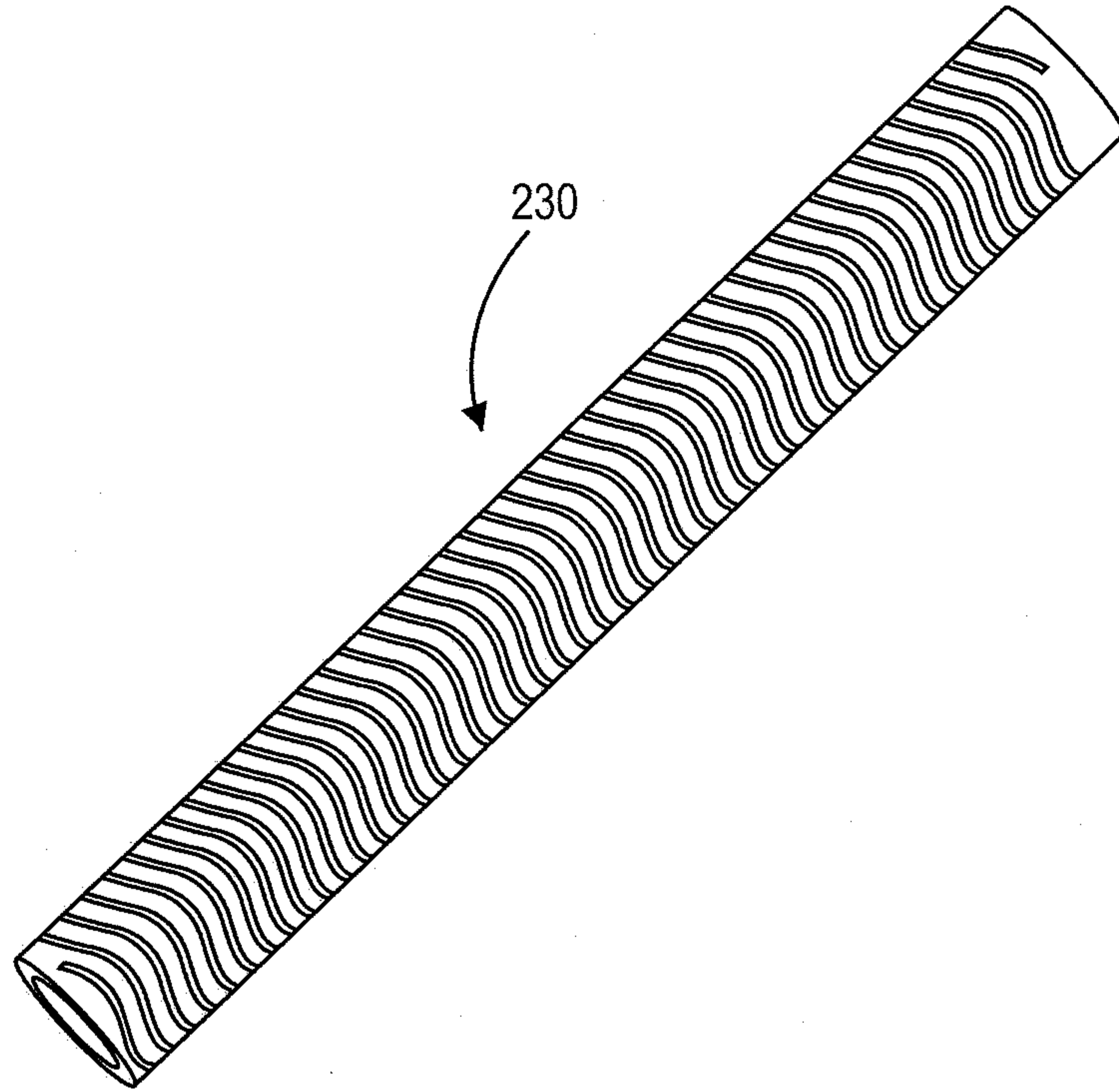


FIG. 2C

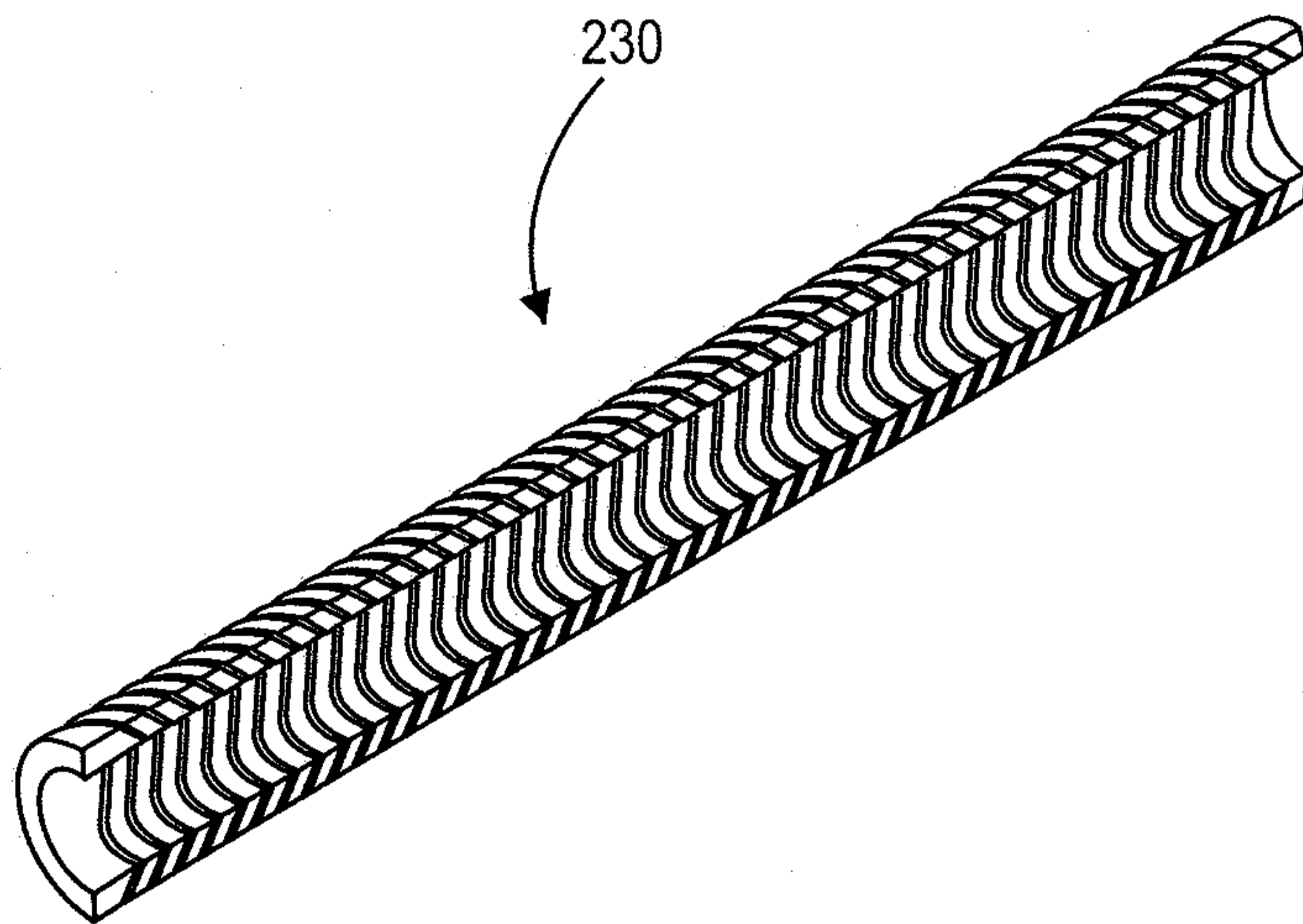


FIG. 2D

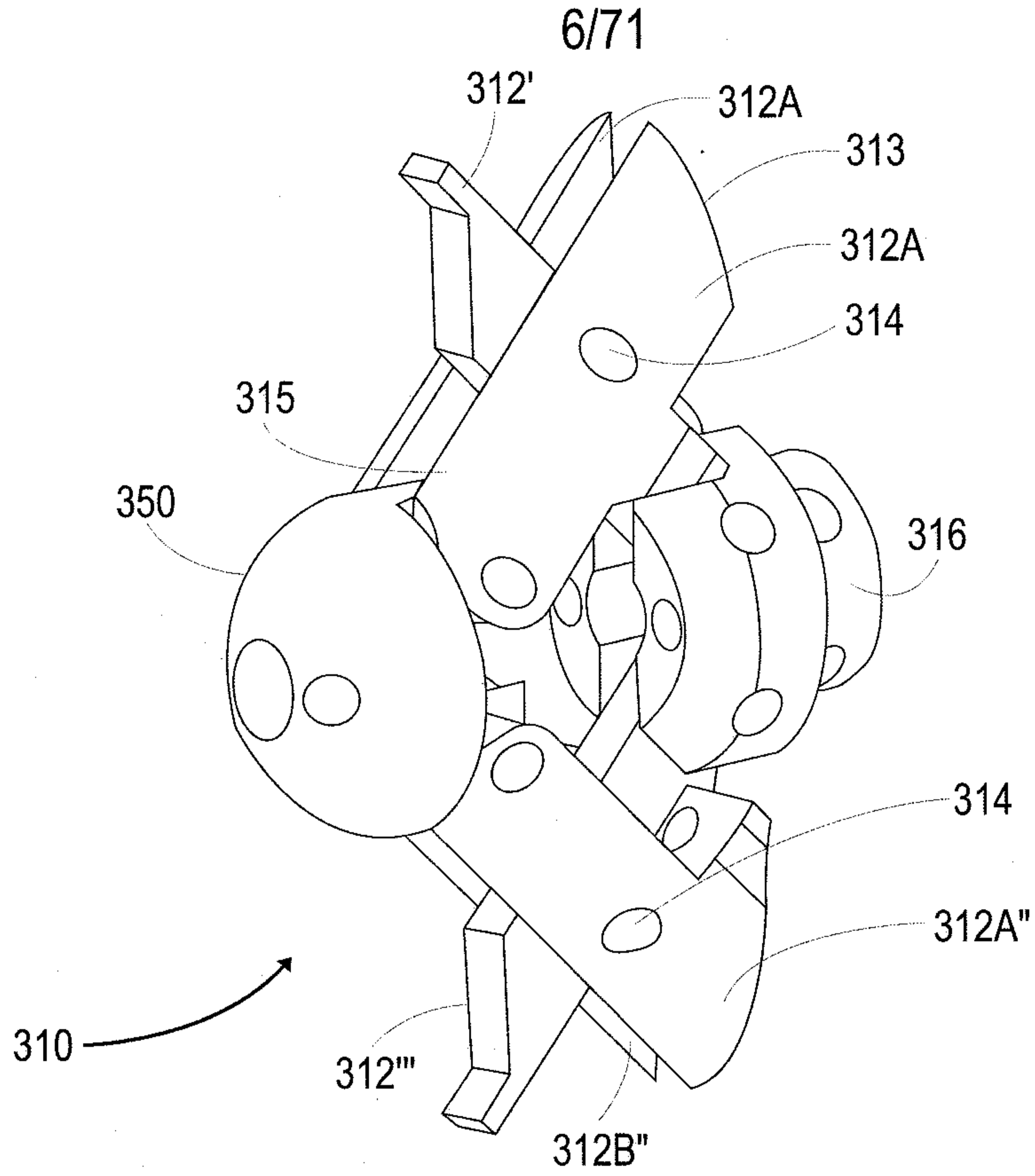


FIG. 3A

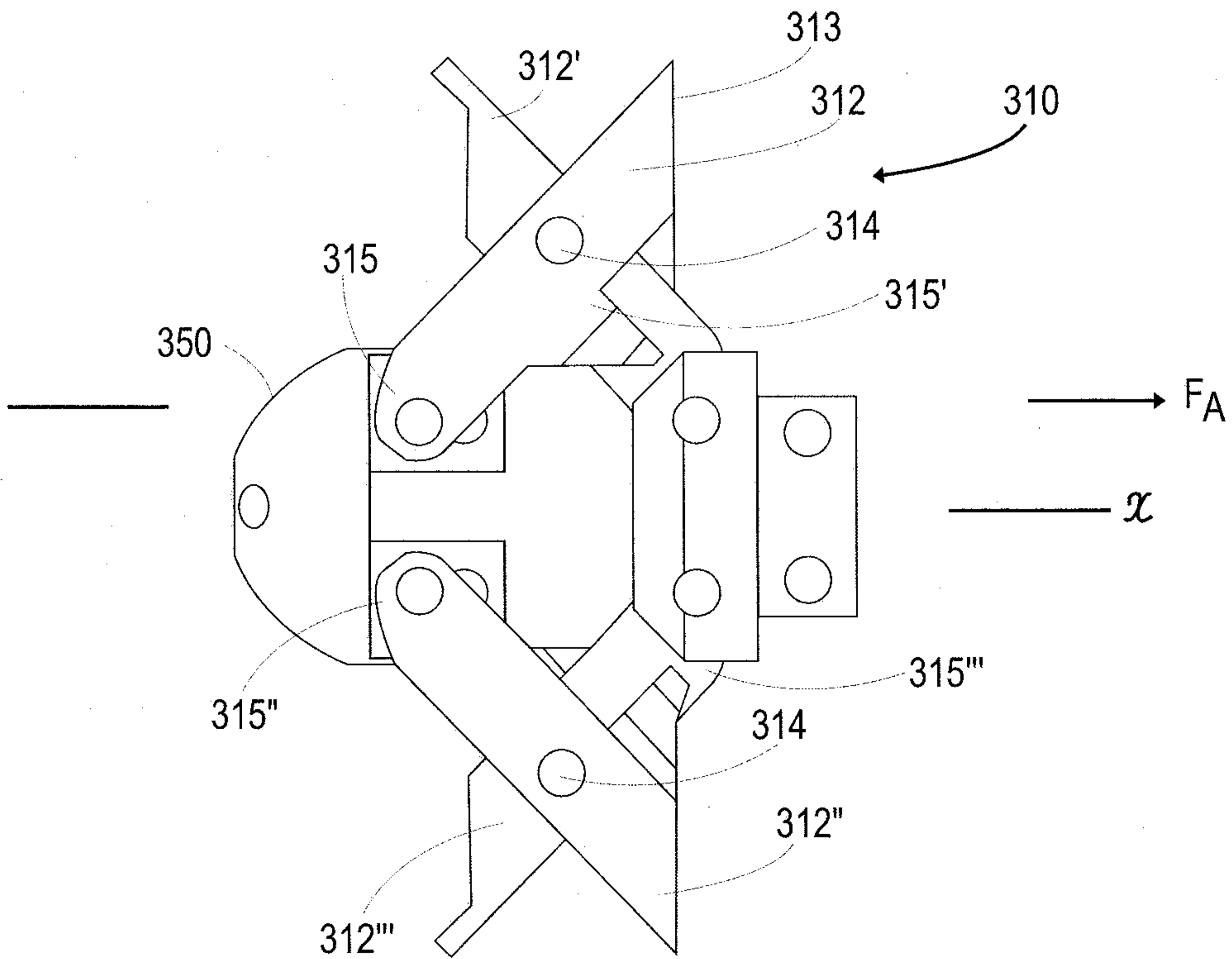


FIG. 3B

7/71

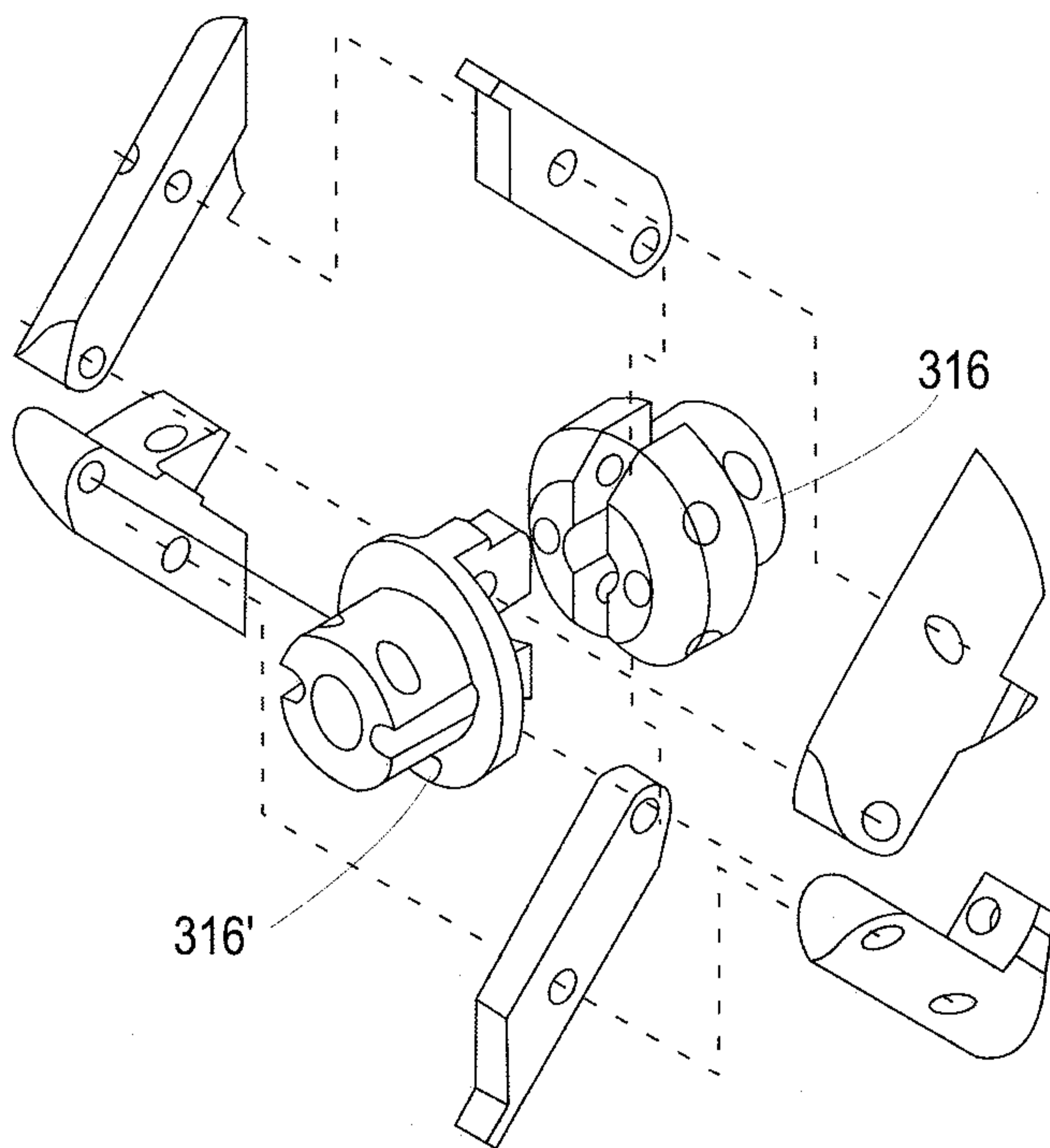


FIG. 3C

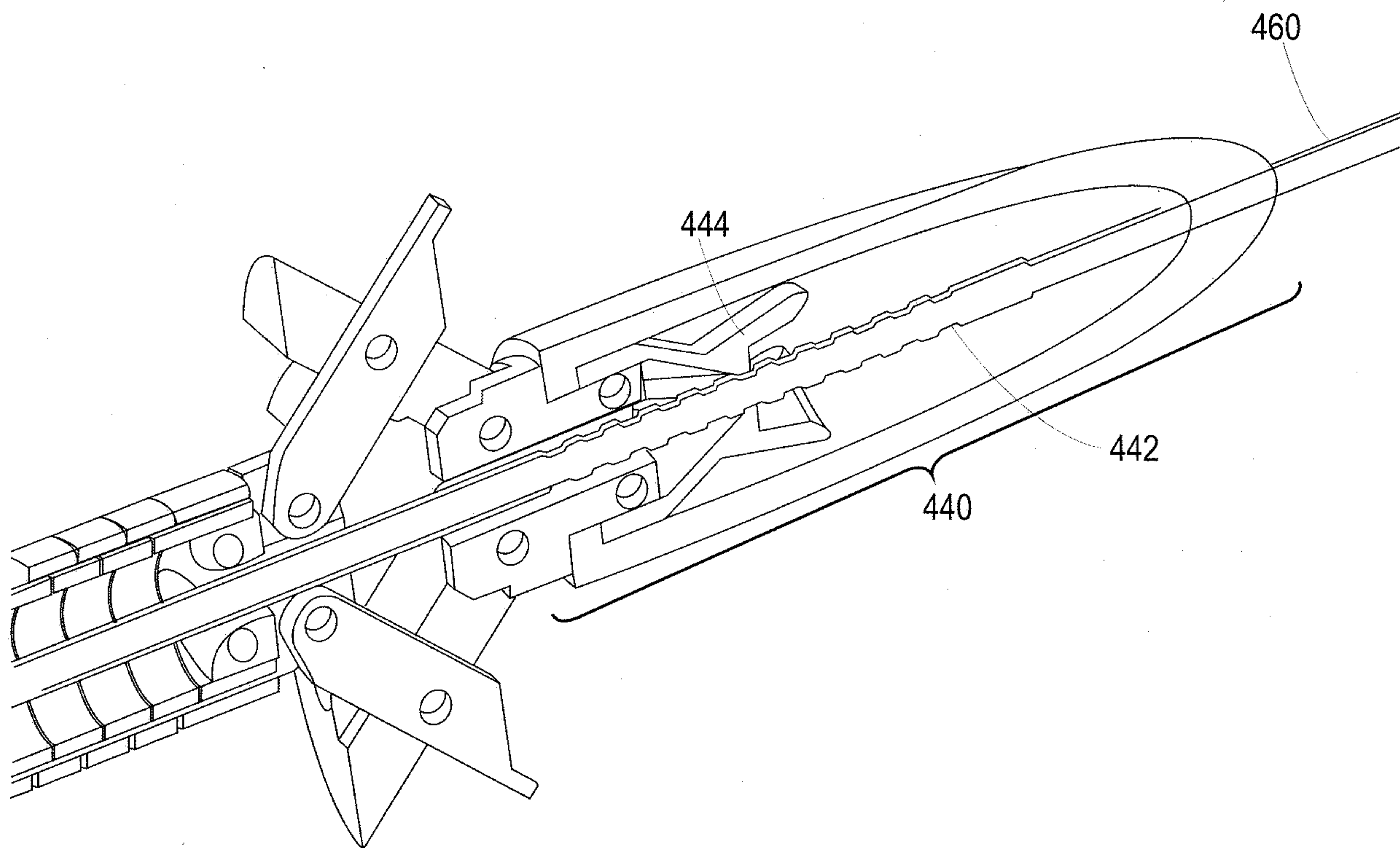


FIG. 4

8/71

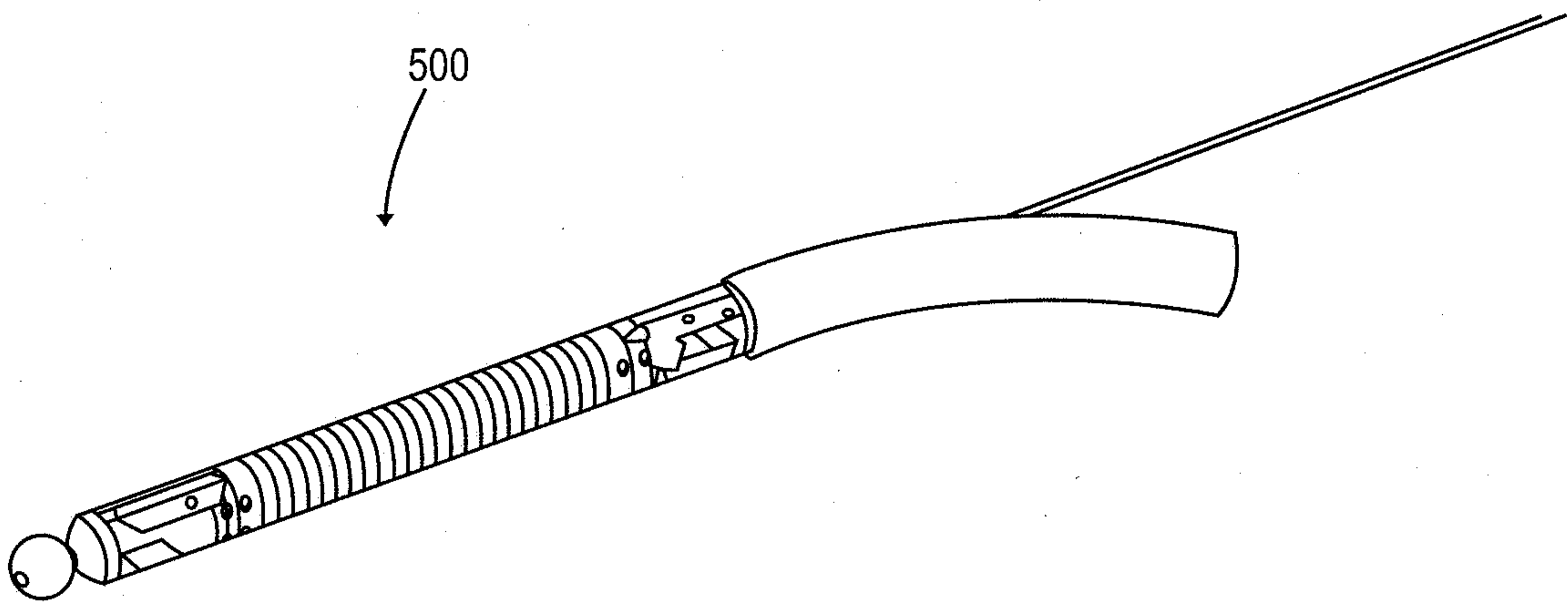


FIG. 5

9/71

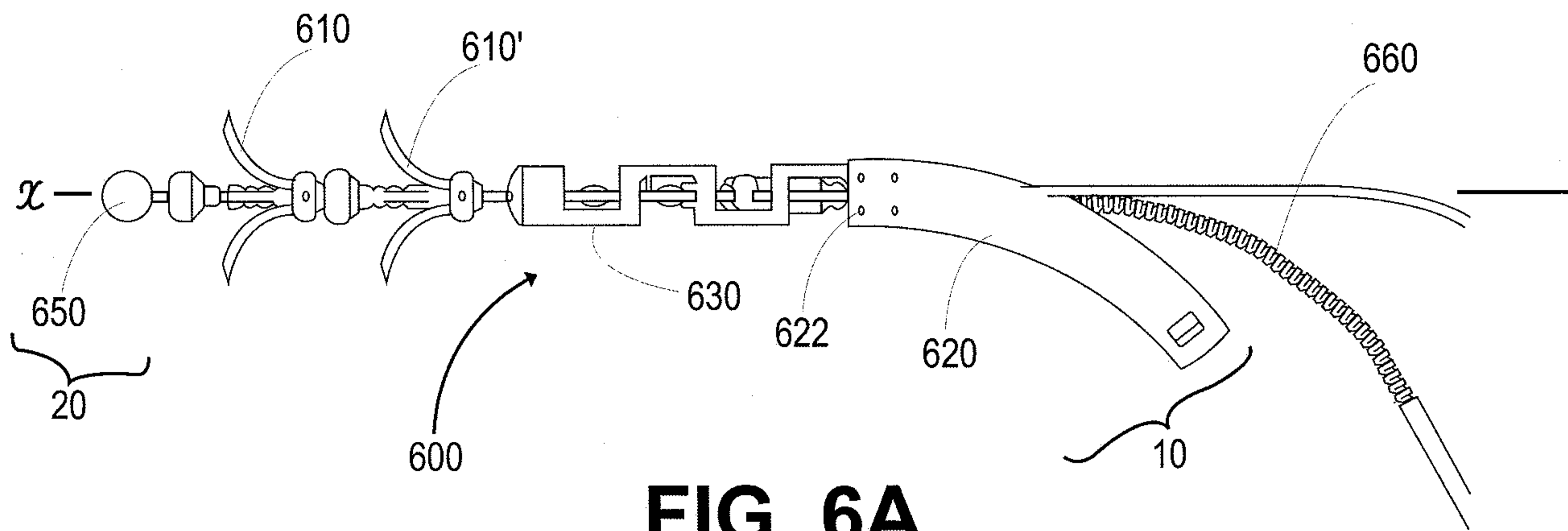


FIG. 6A

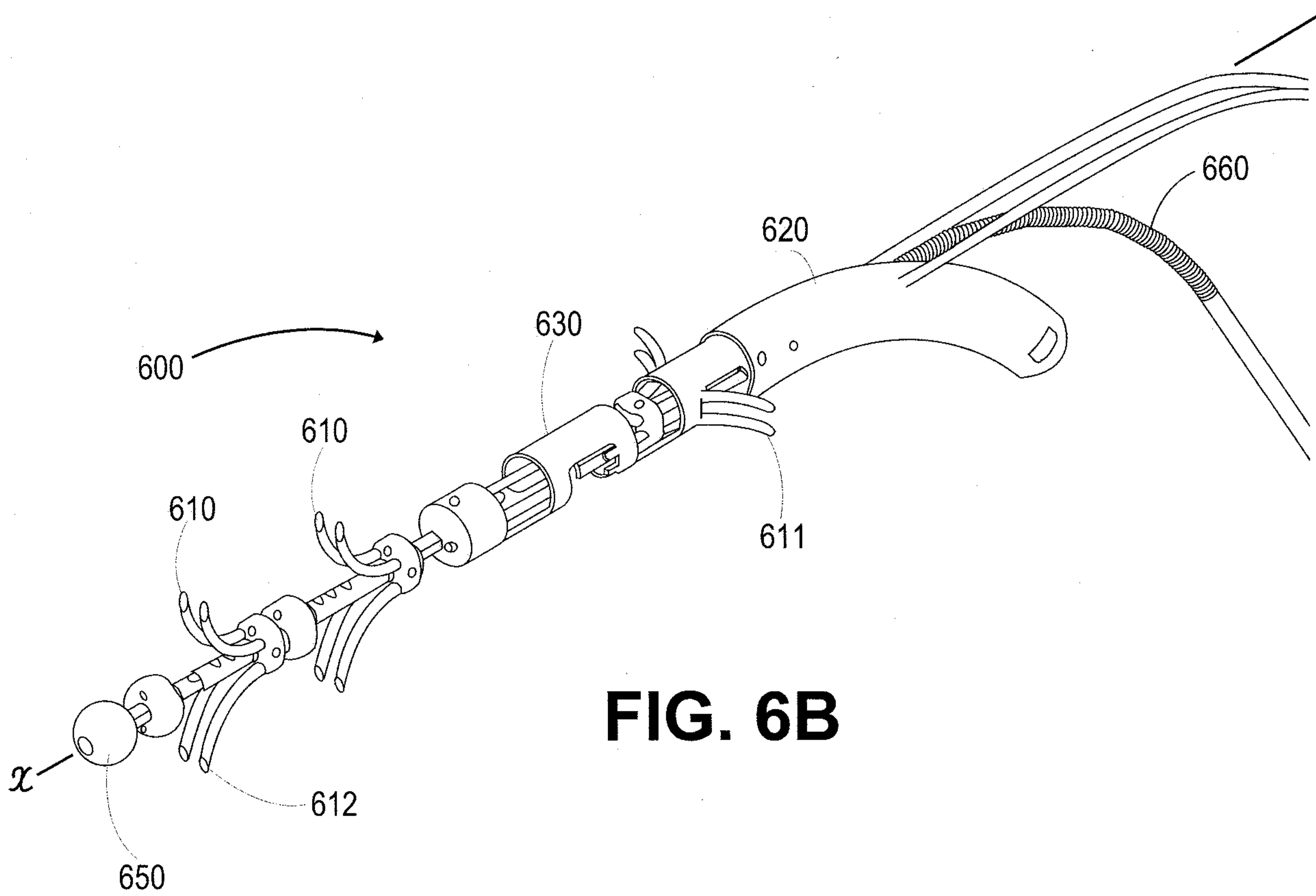


FIG. 6B

10/71

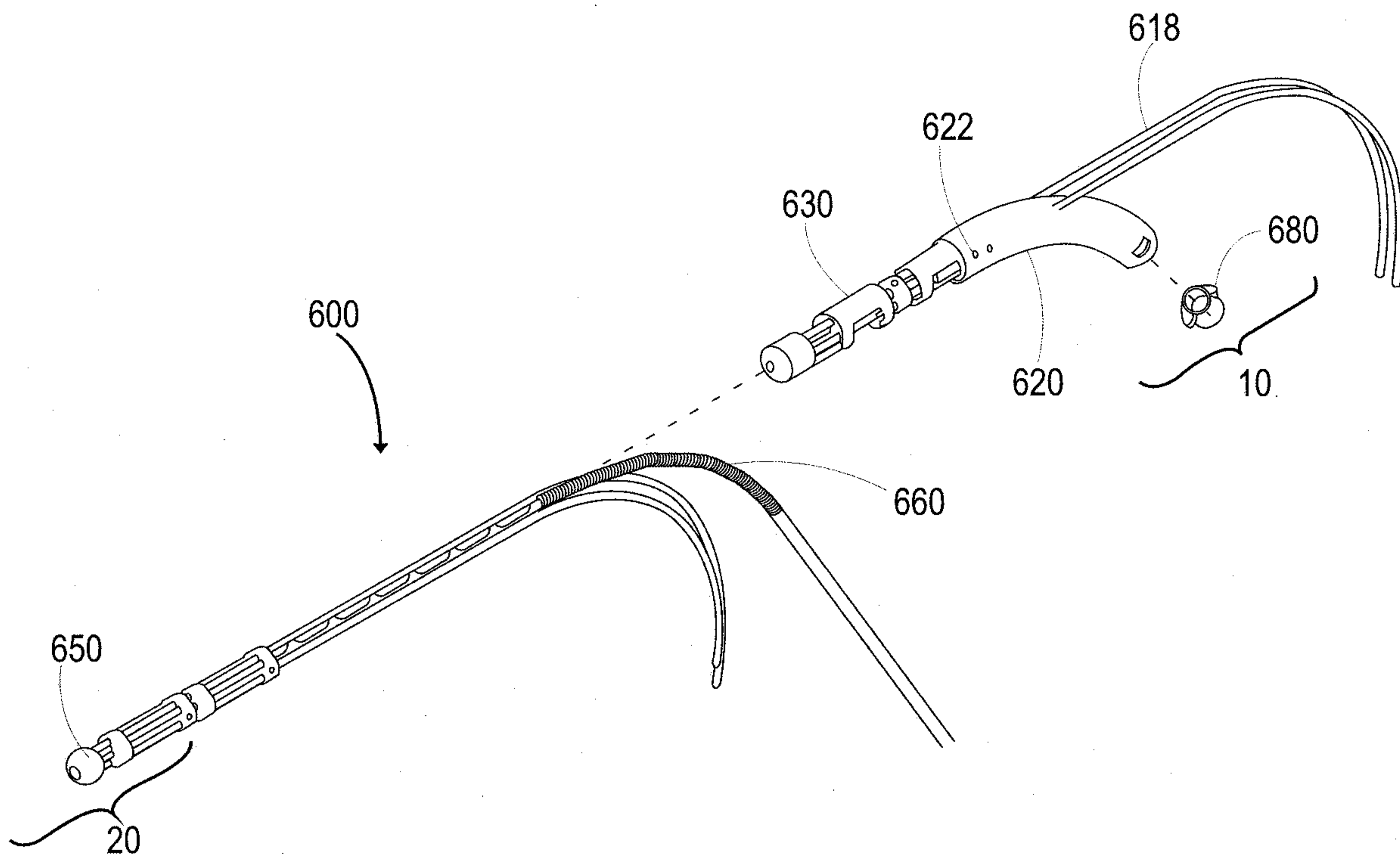


FIG. 6C

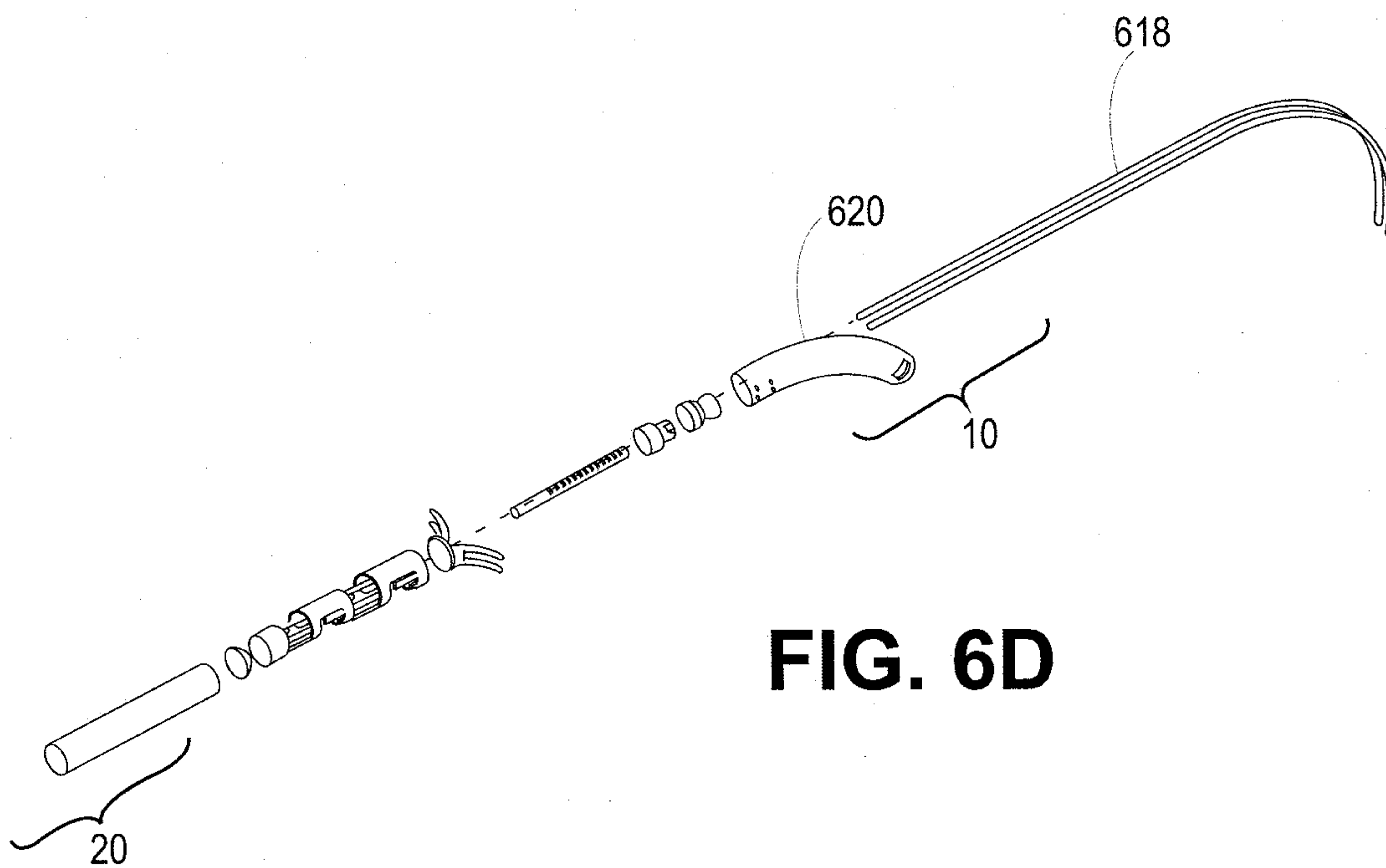
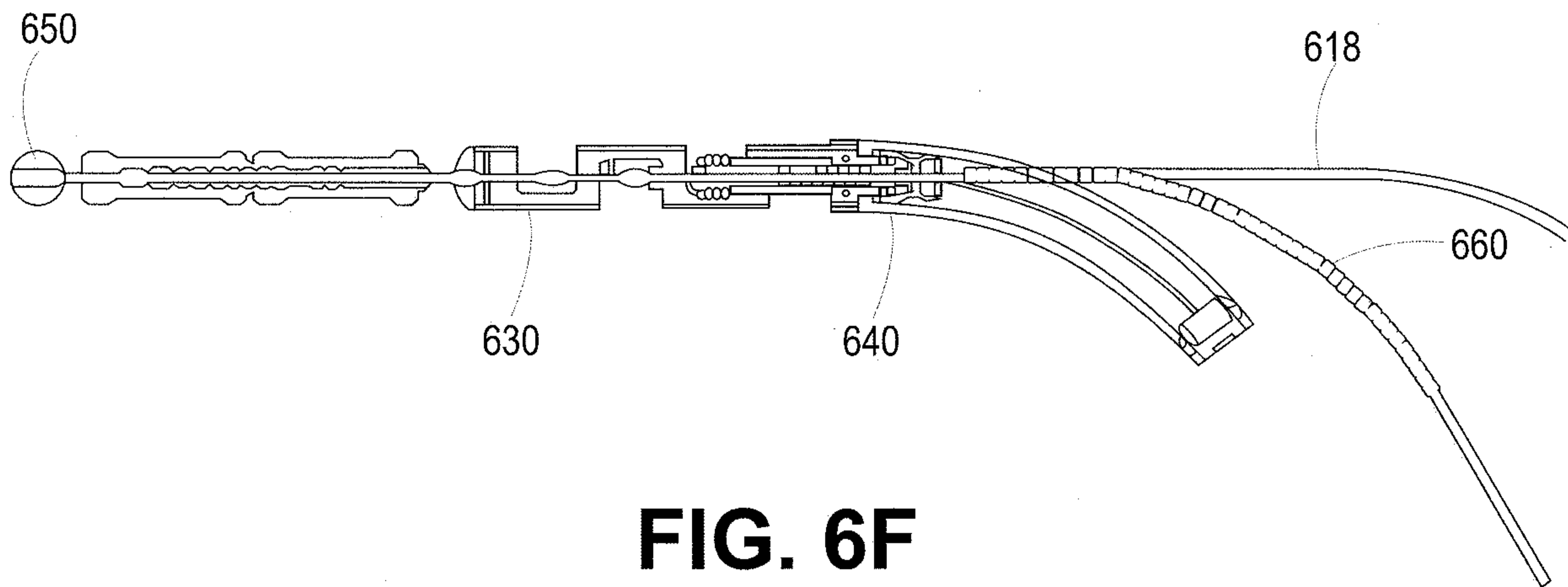
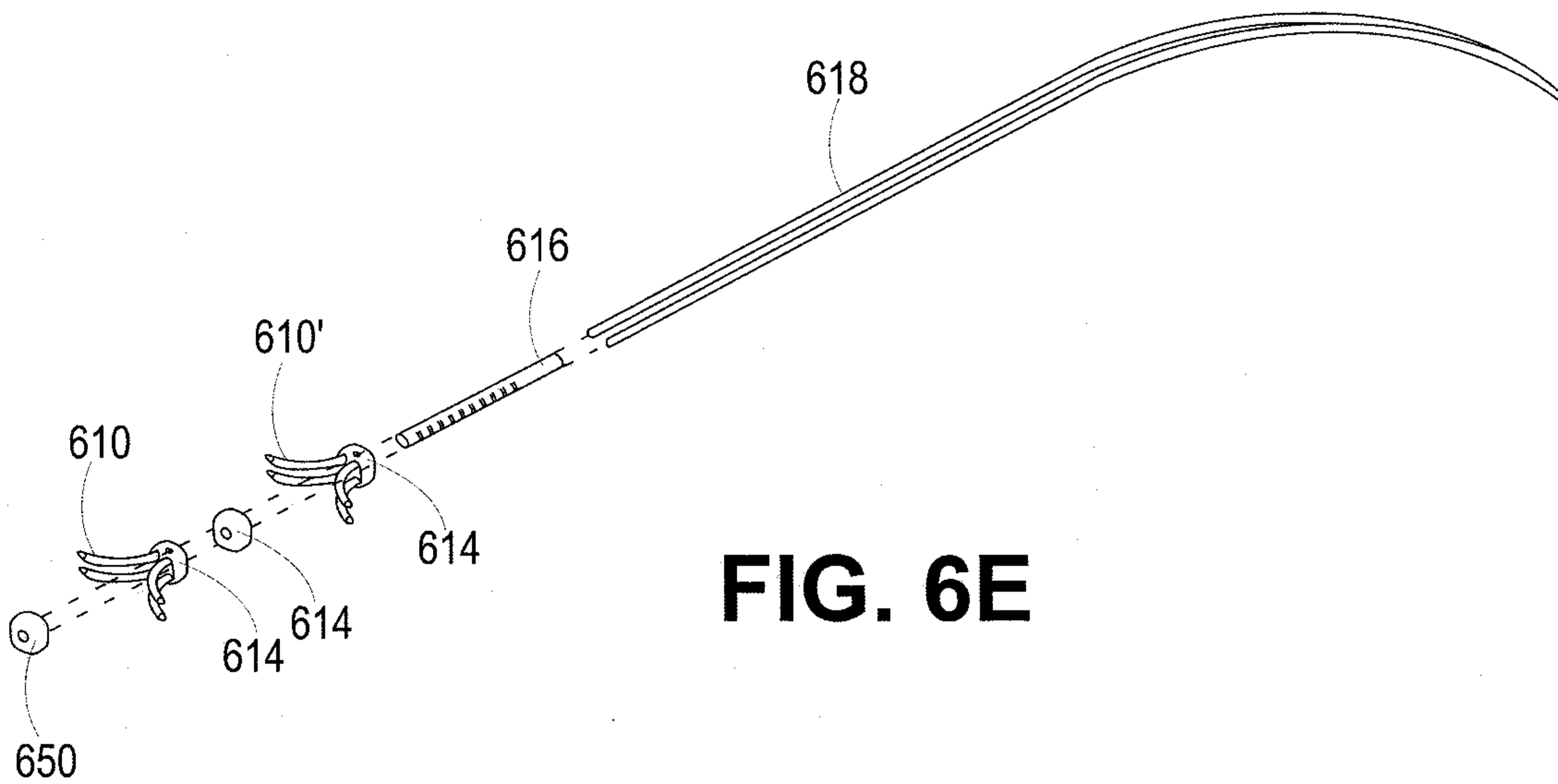


FIG. 6D

11/71



12/71

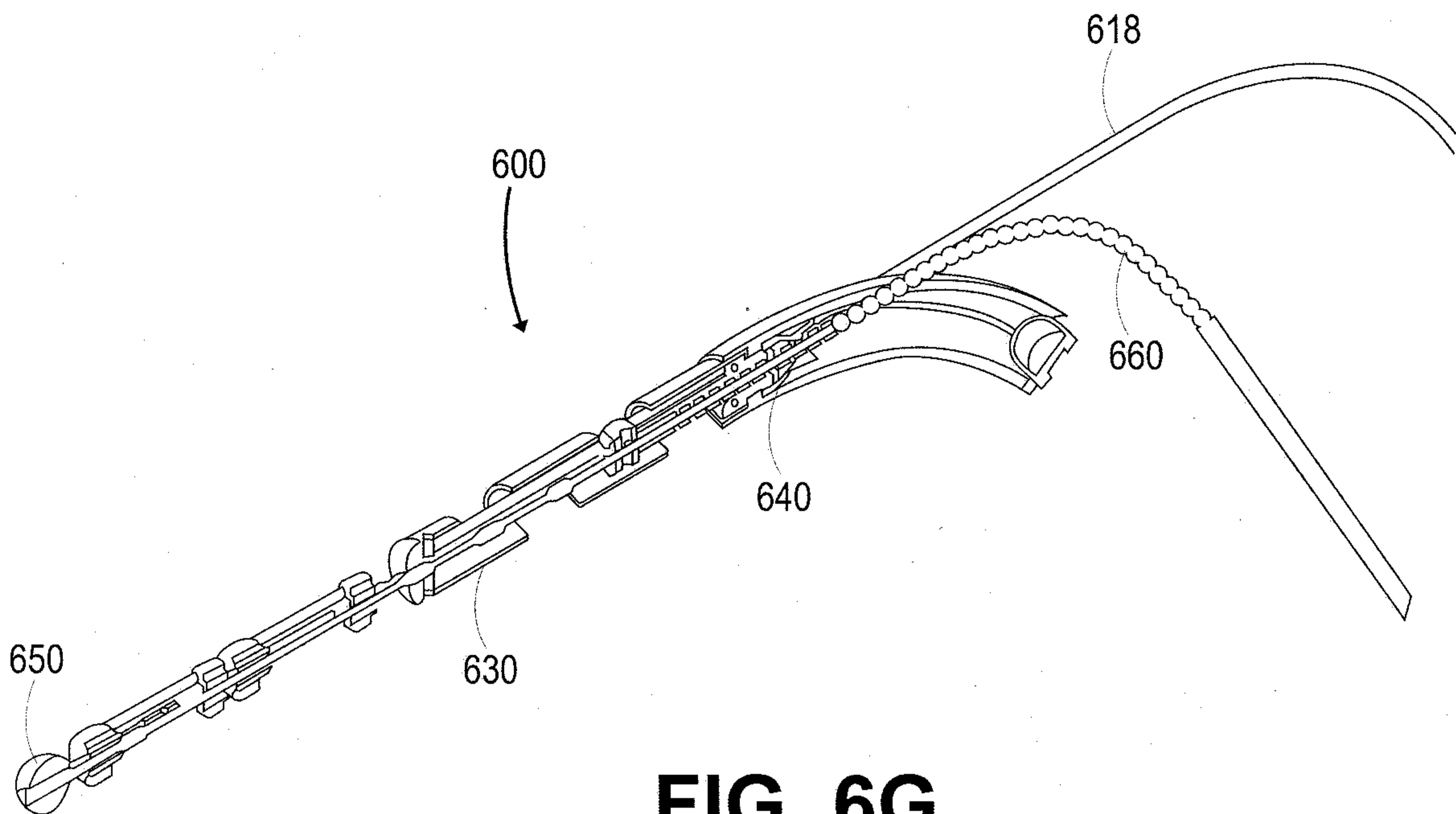
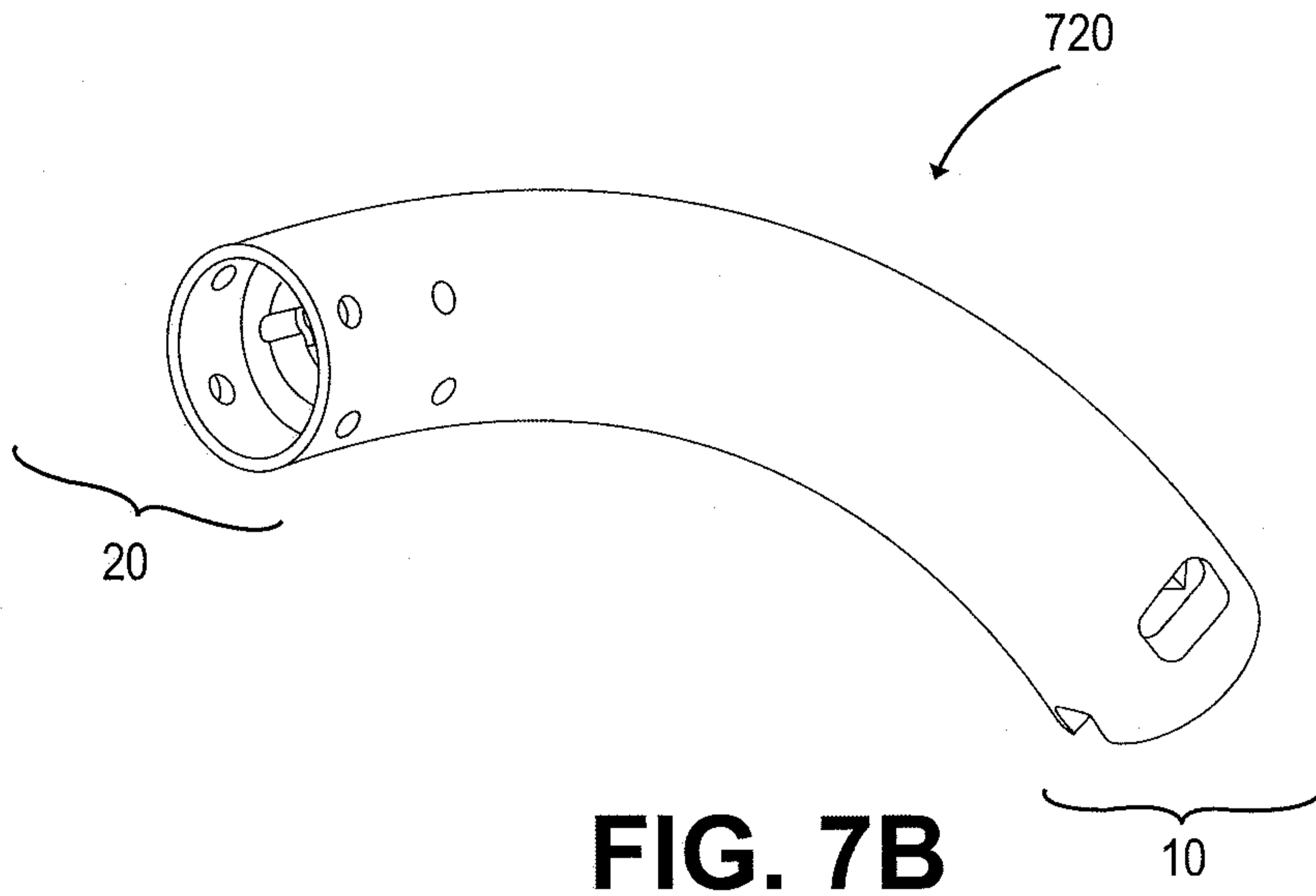
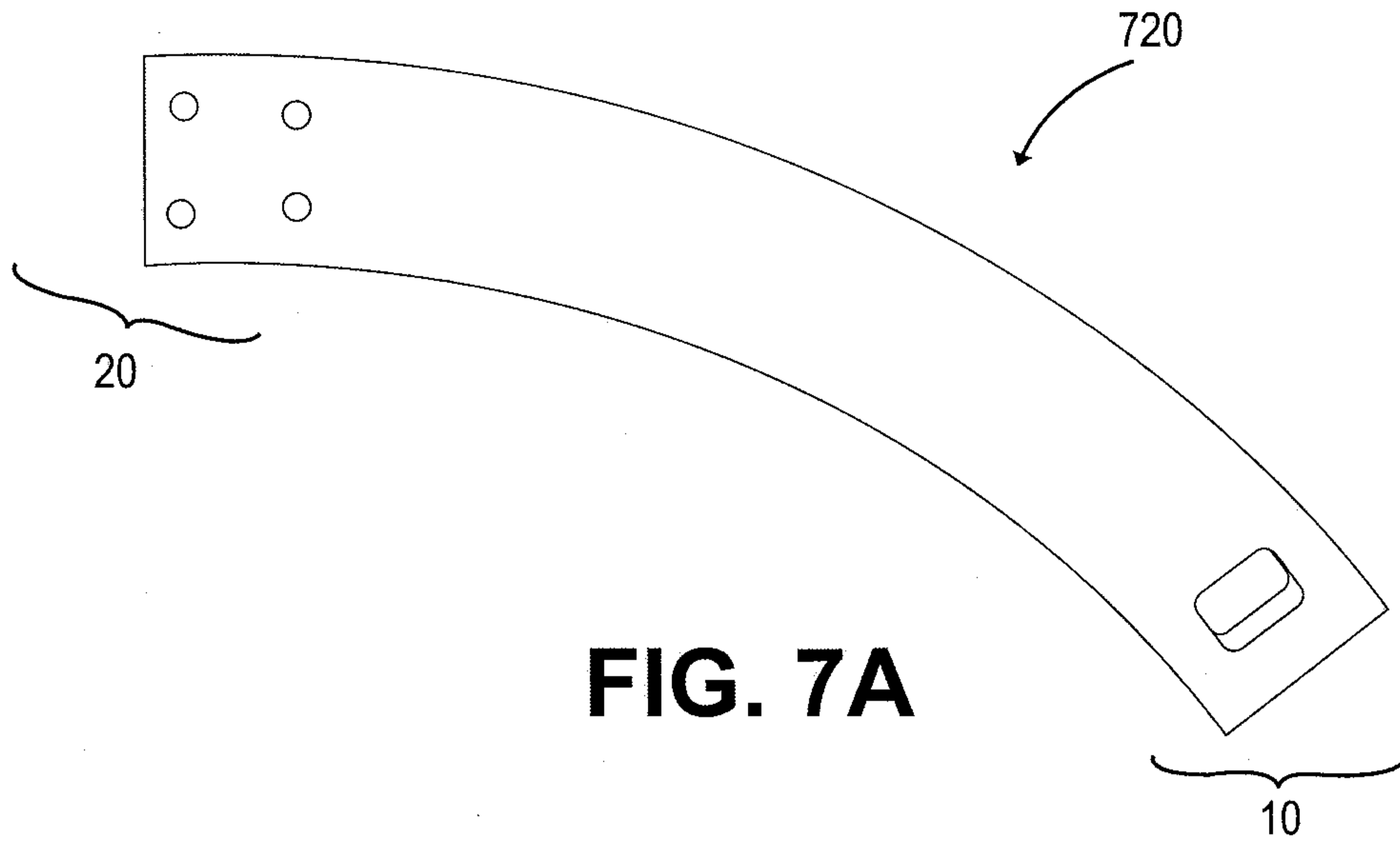


FIG. 6G

13/71



14/71

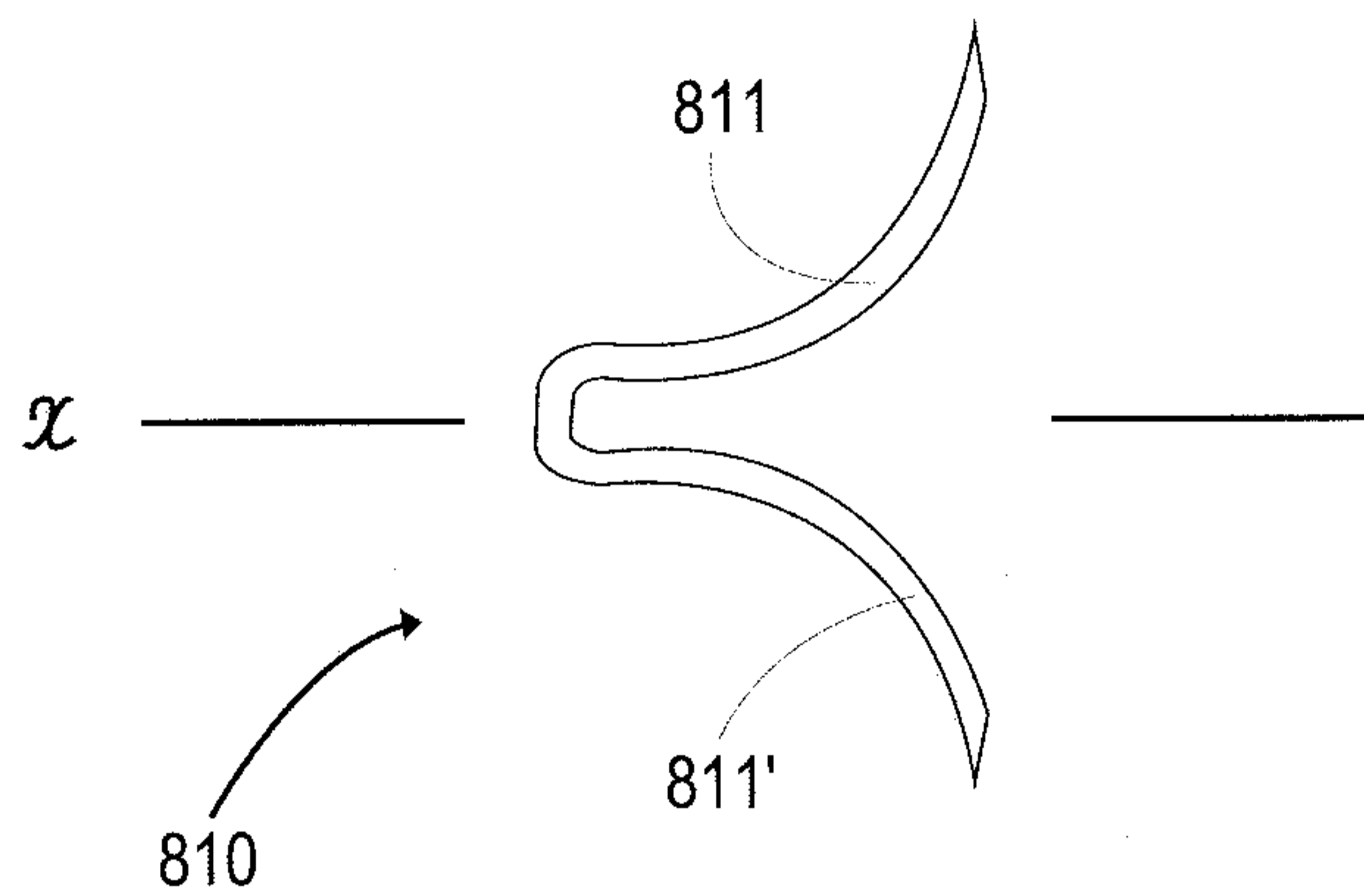


FIG. 8A

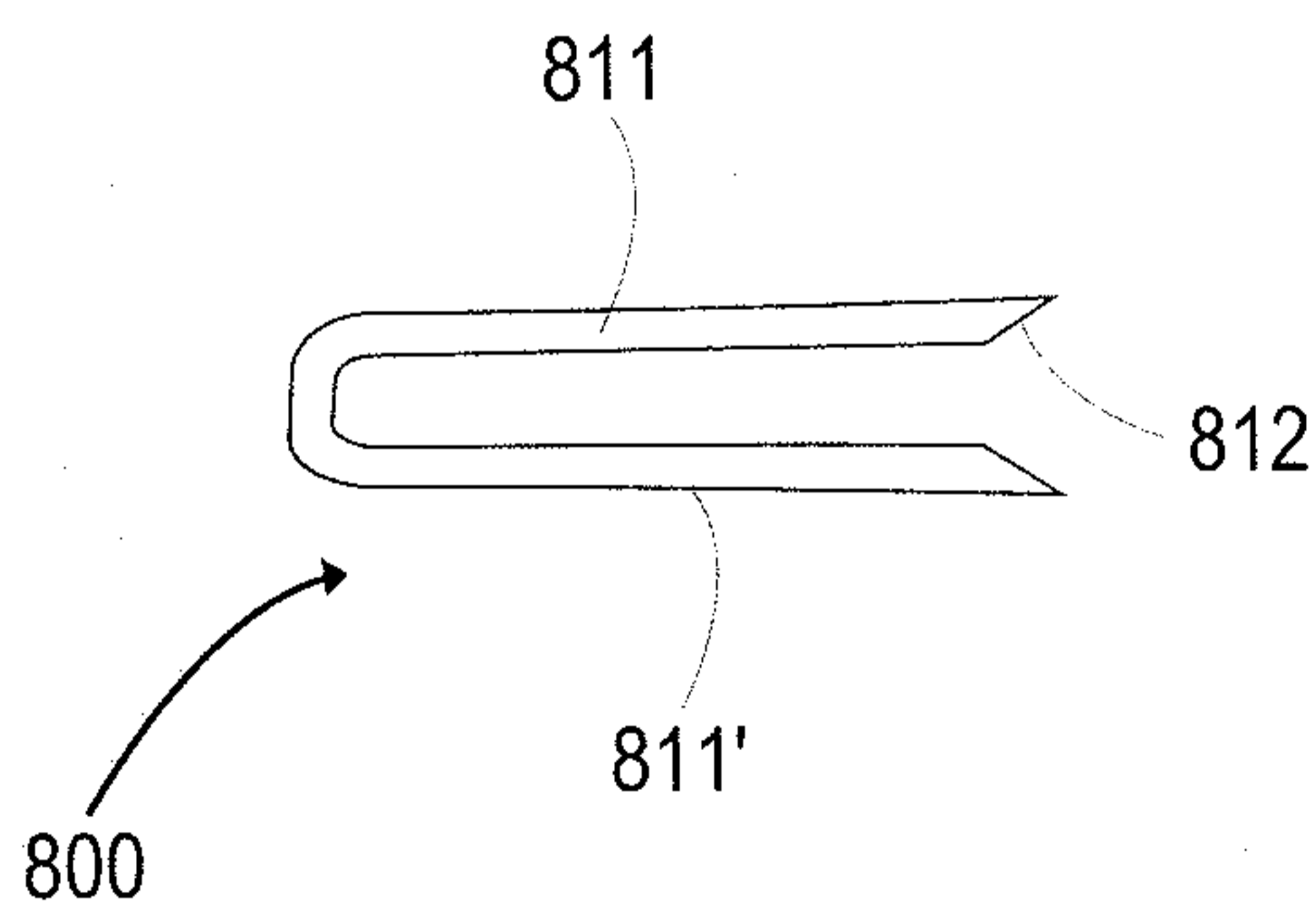


FIG. 8B

15/71

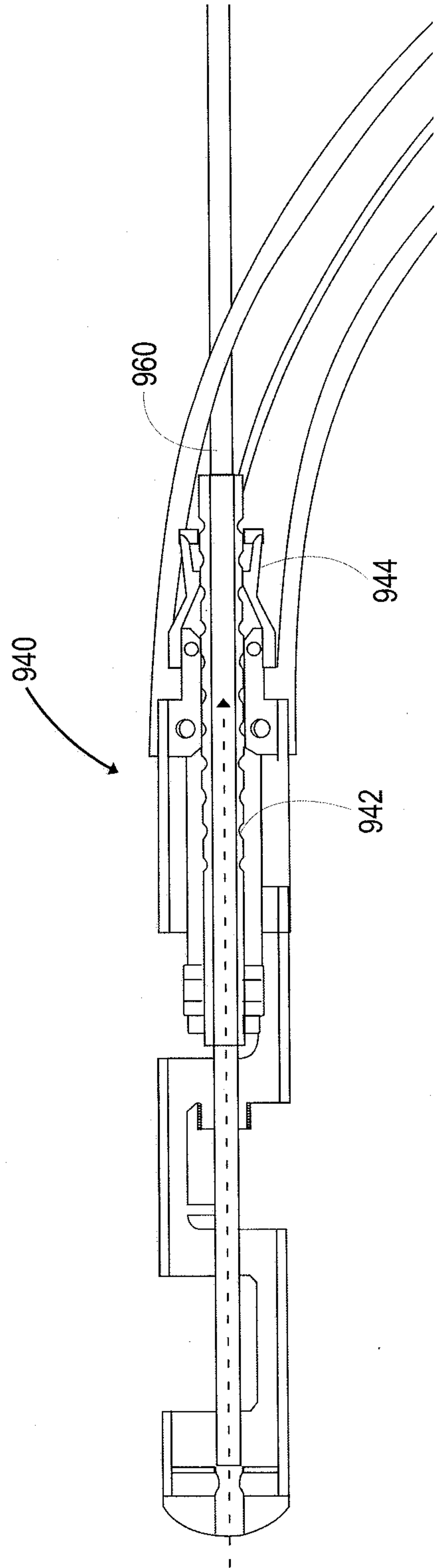


FIG. 9

16/71

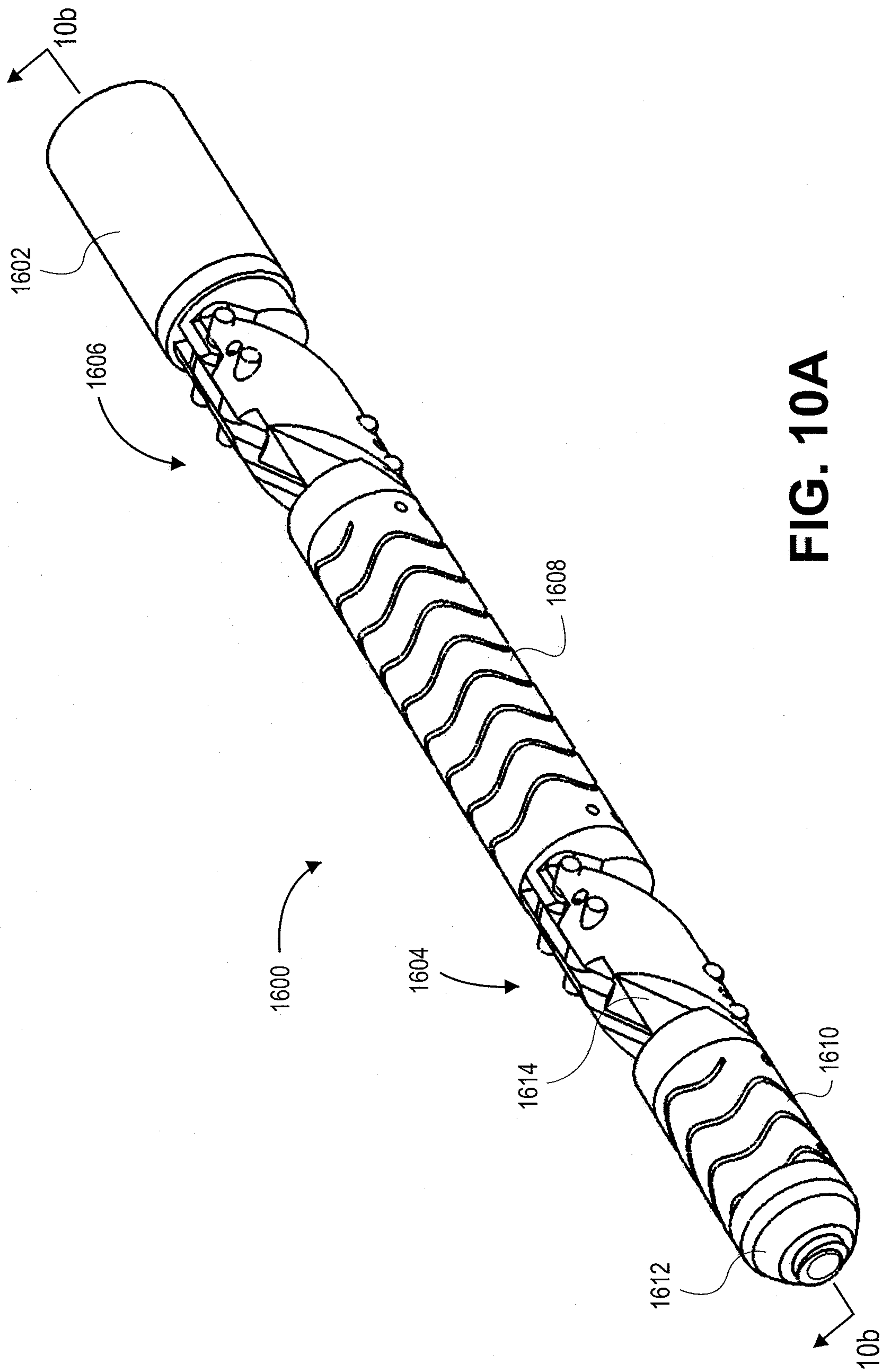


FIG. 10A

17/71

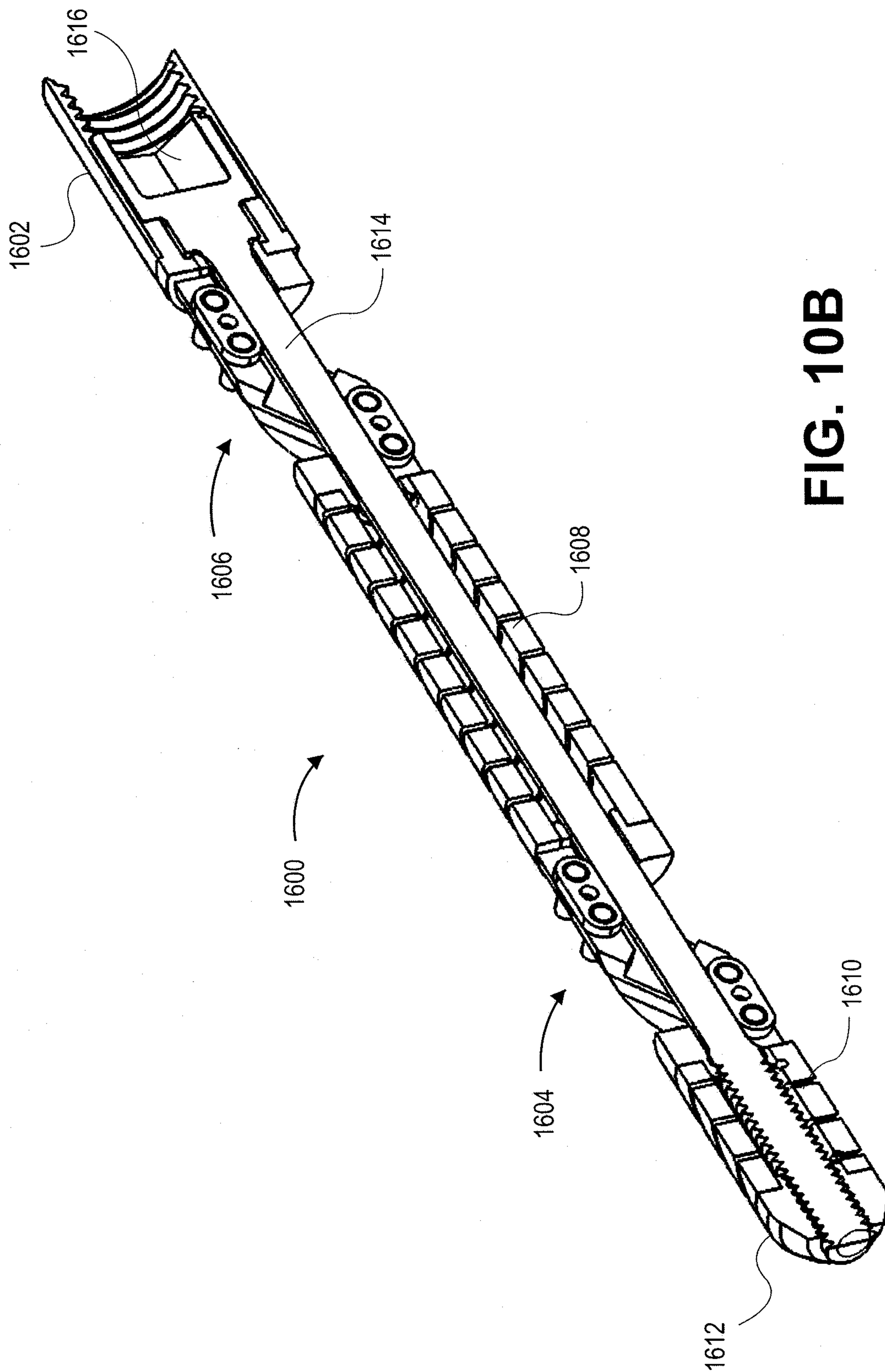


FIG. 10B

18/71

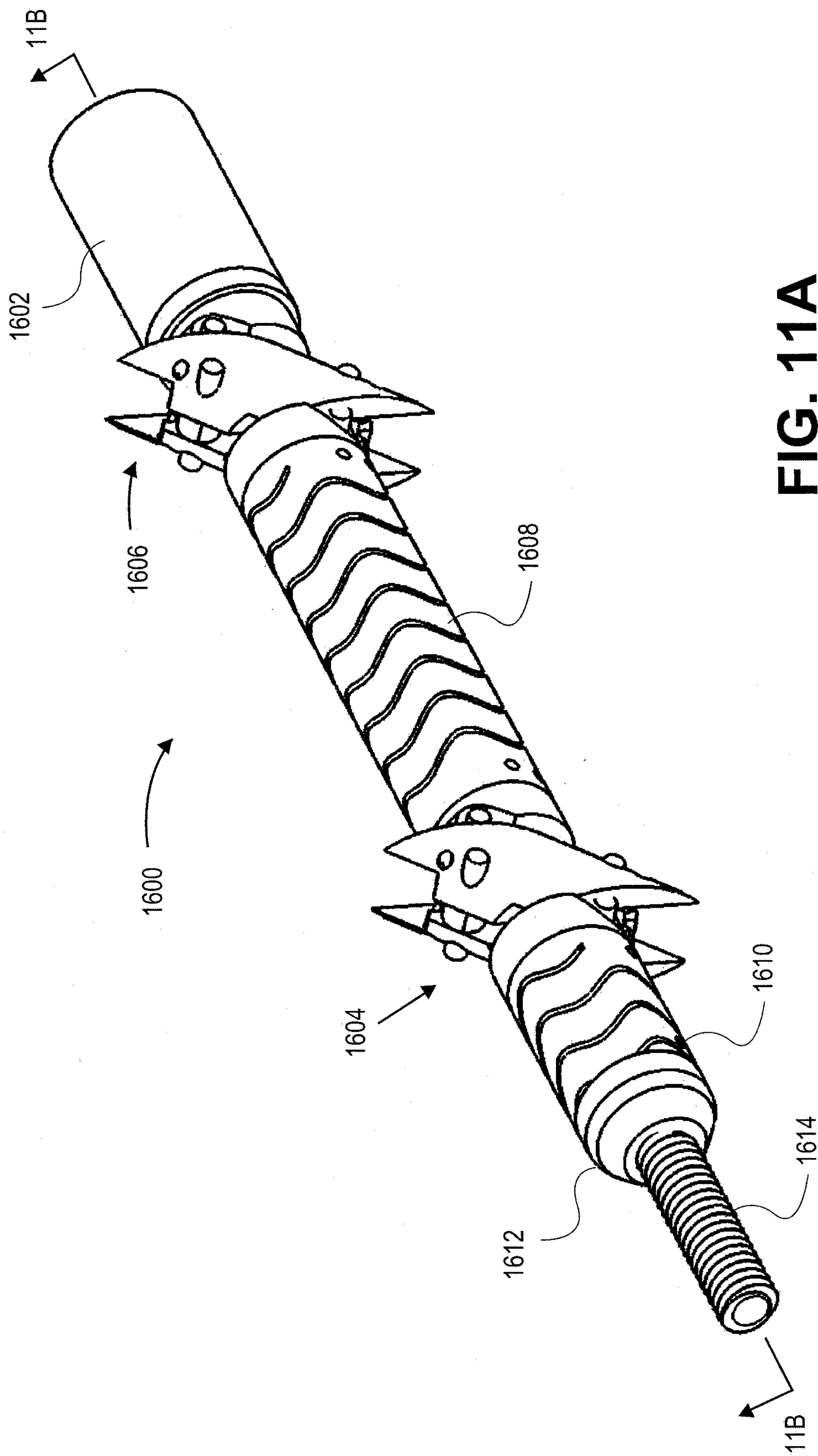


FIG. 11A

19/71

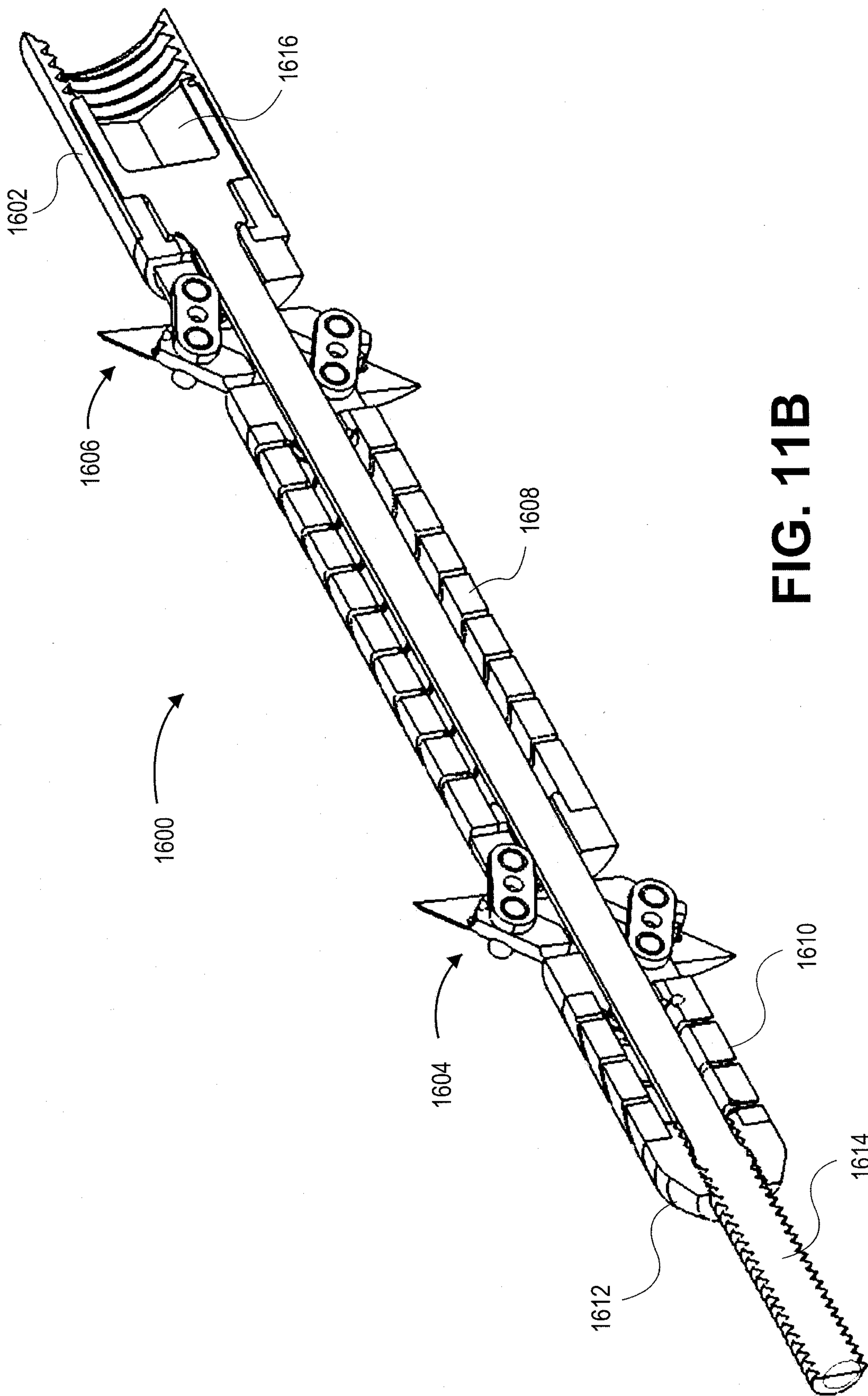


FIG. 11B

20/71

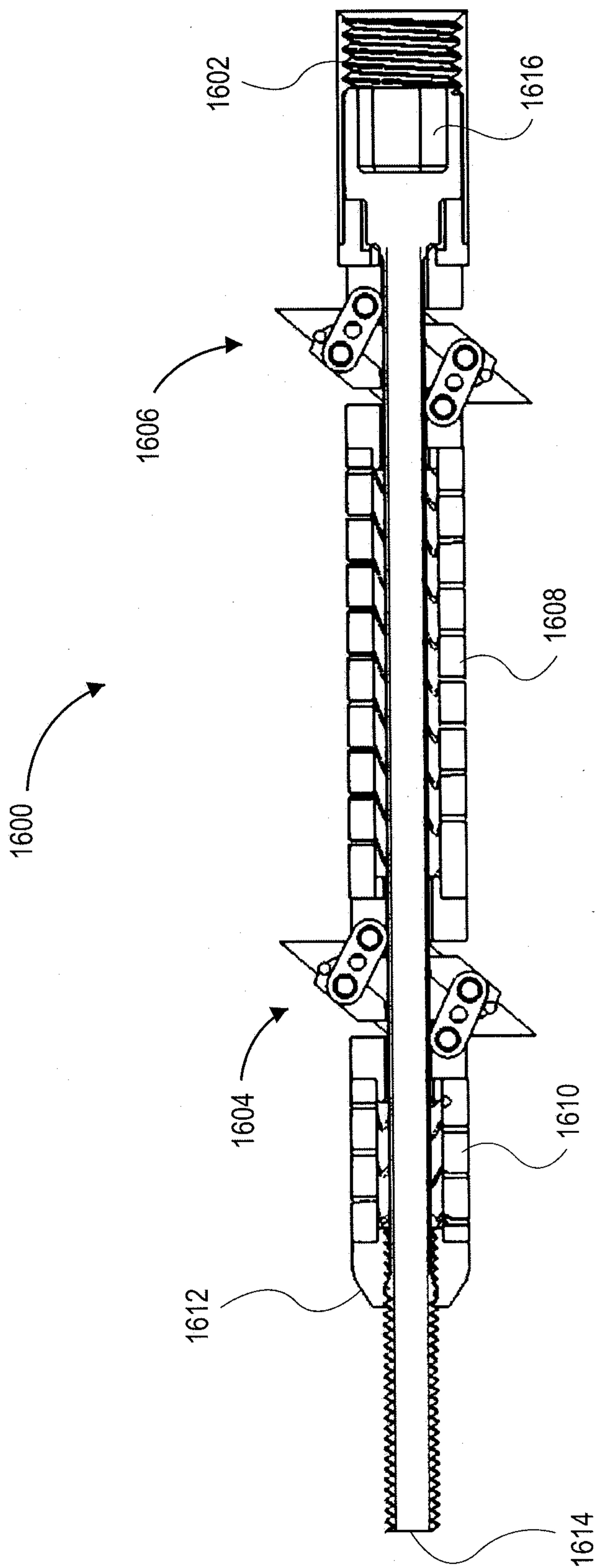


FIG. 12

21/71

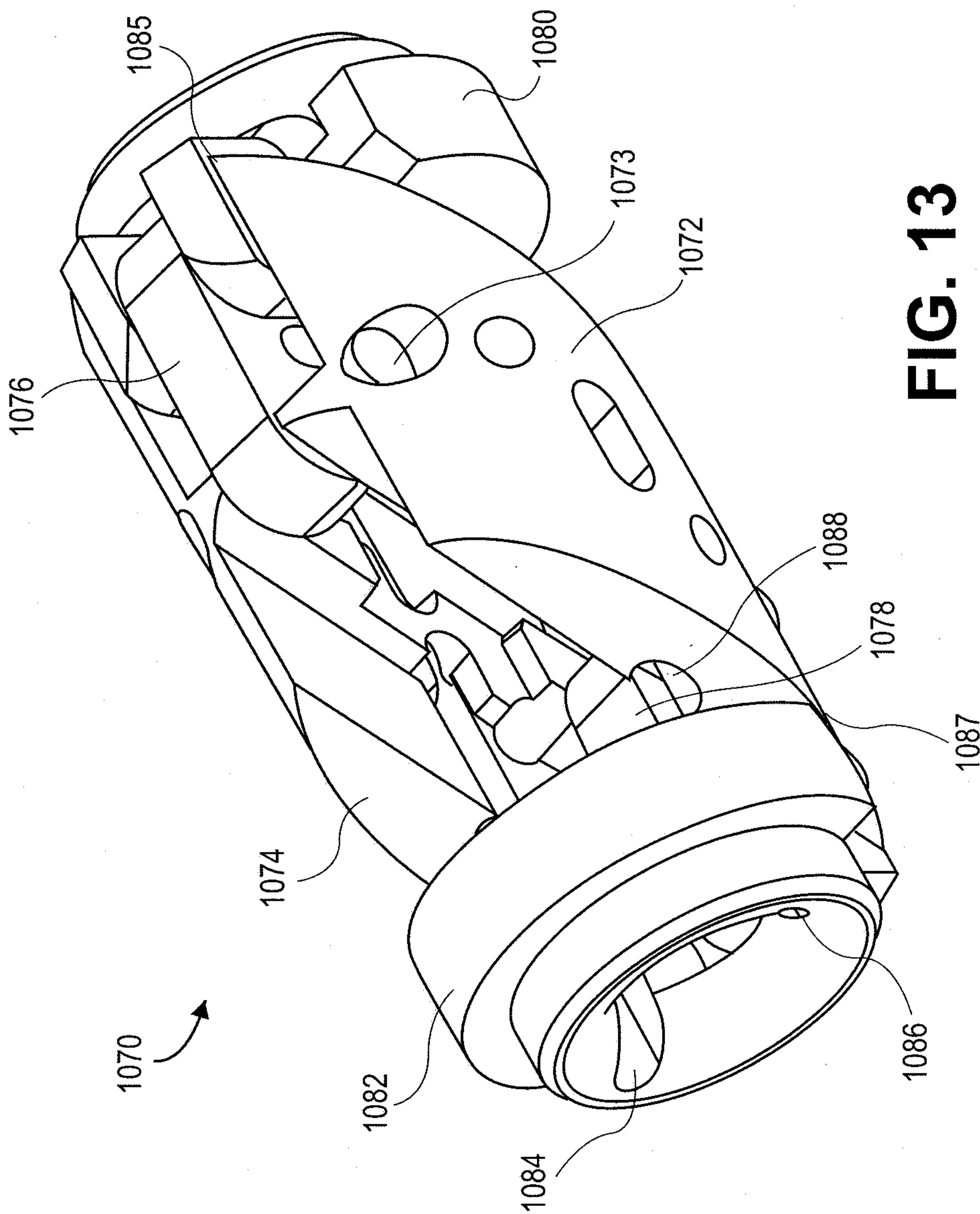


FIG. 13

22/71

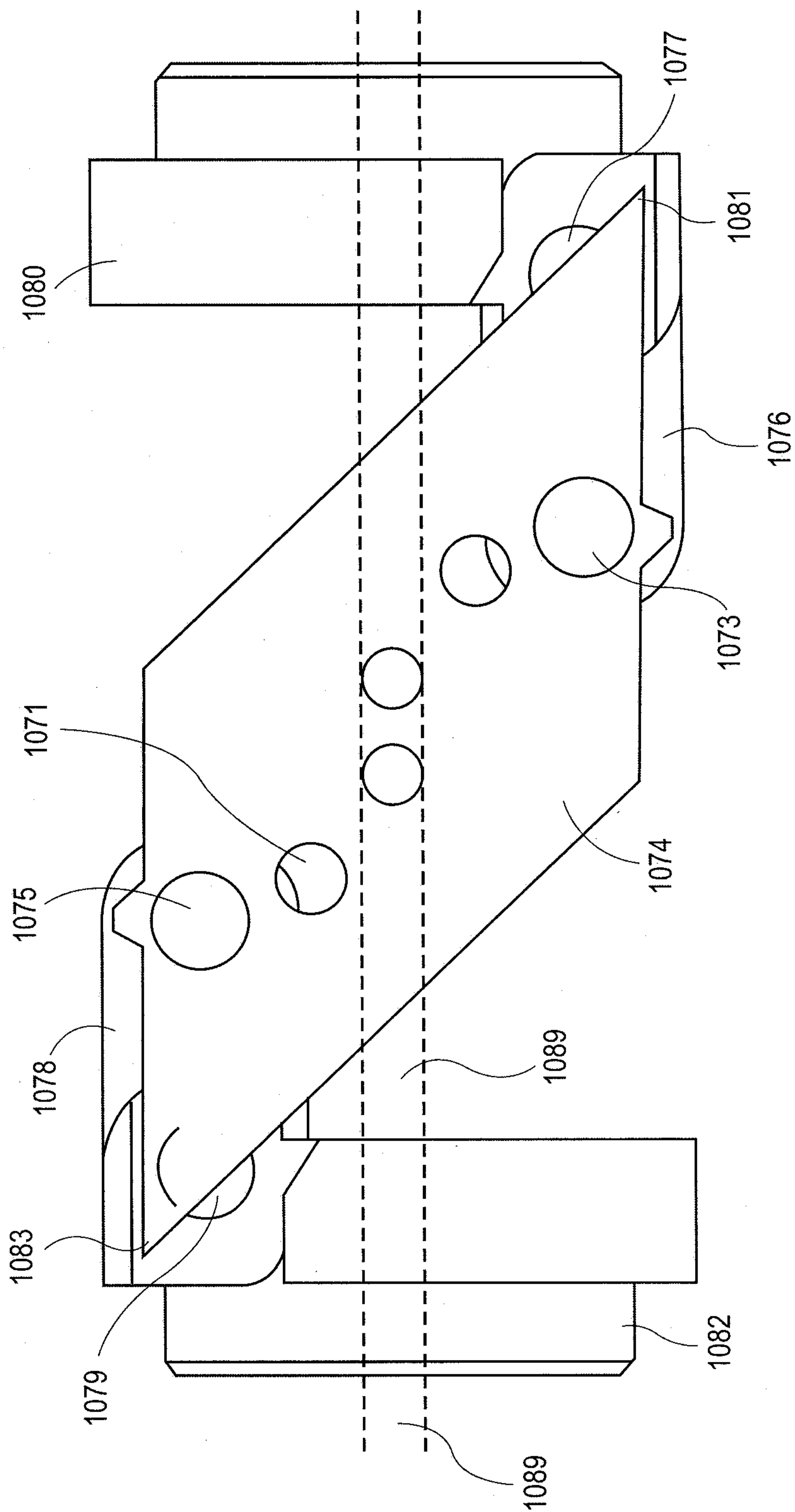


FIG. 14

23/71

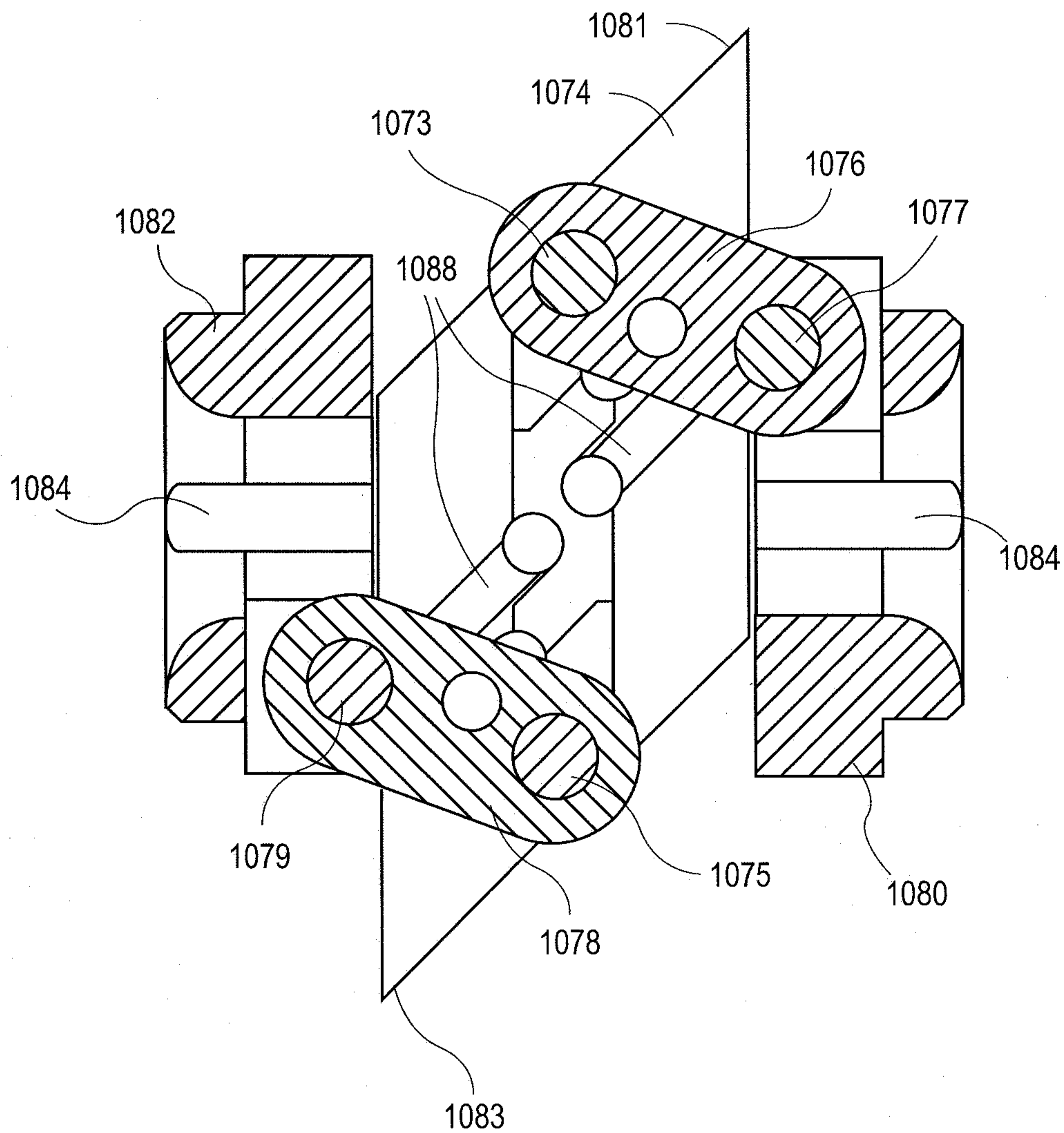


FIG. 15

24/71

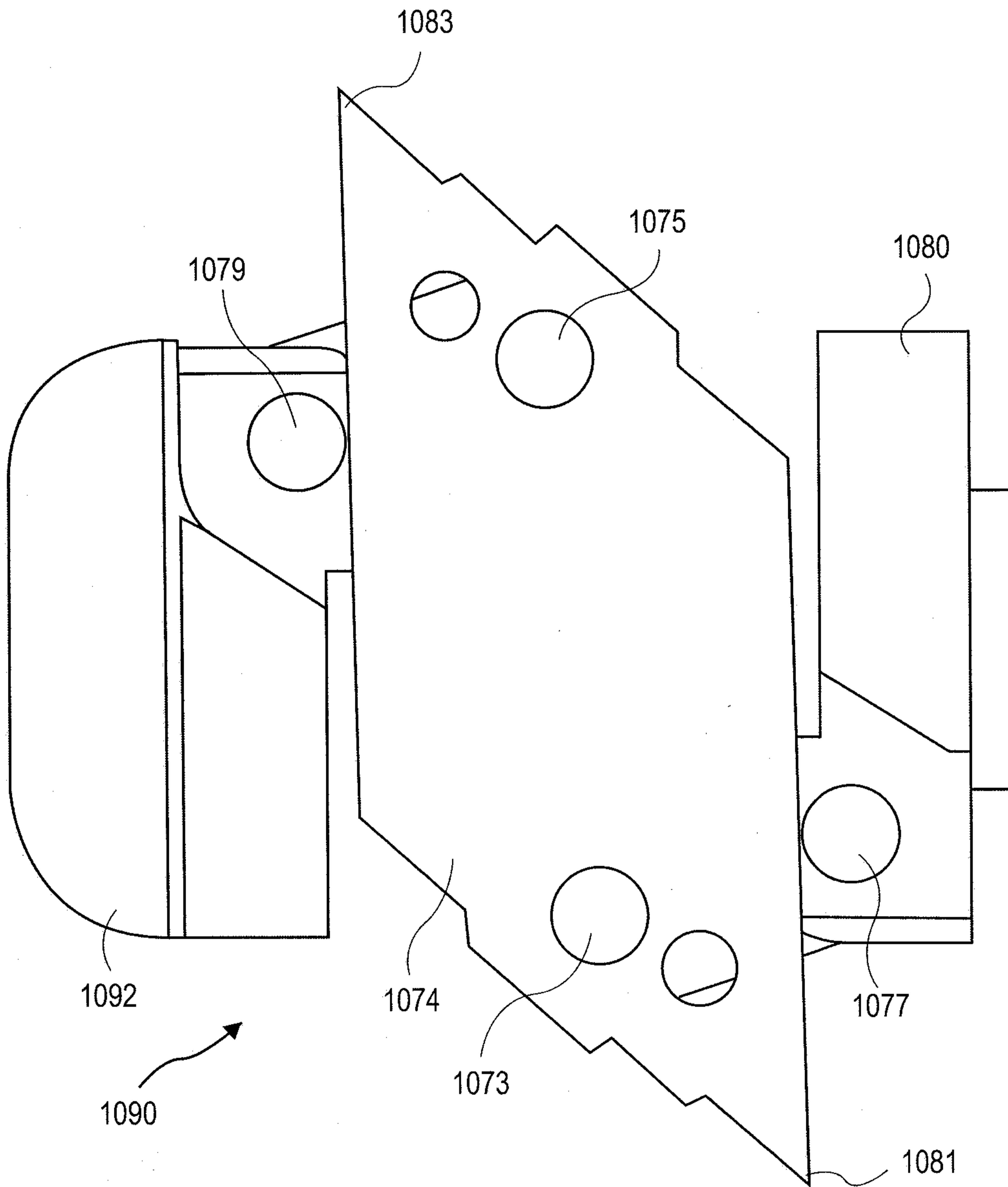


FIG. 16

25/71

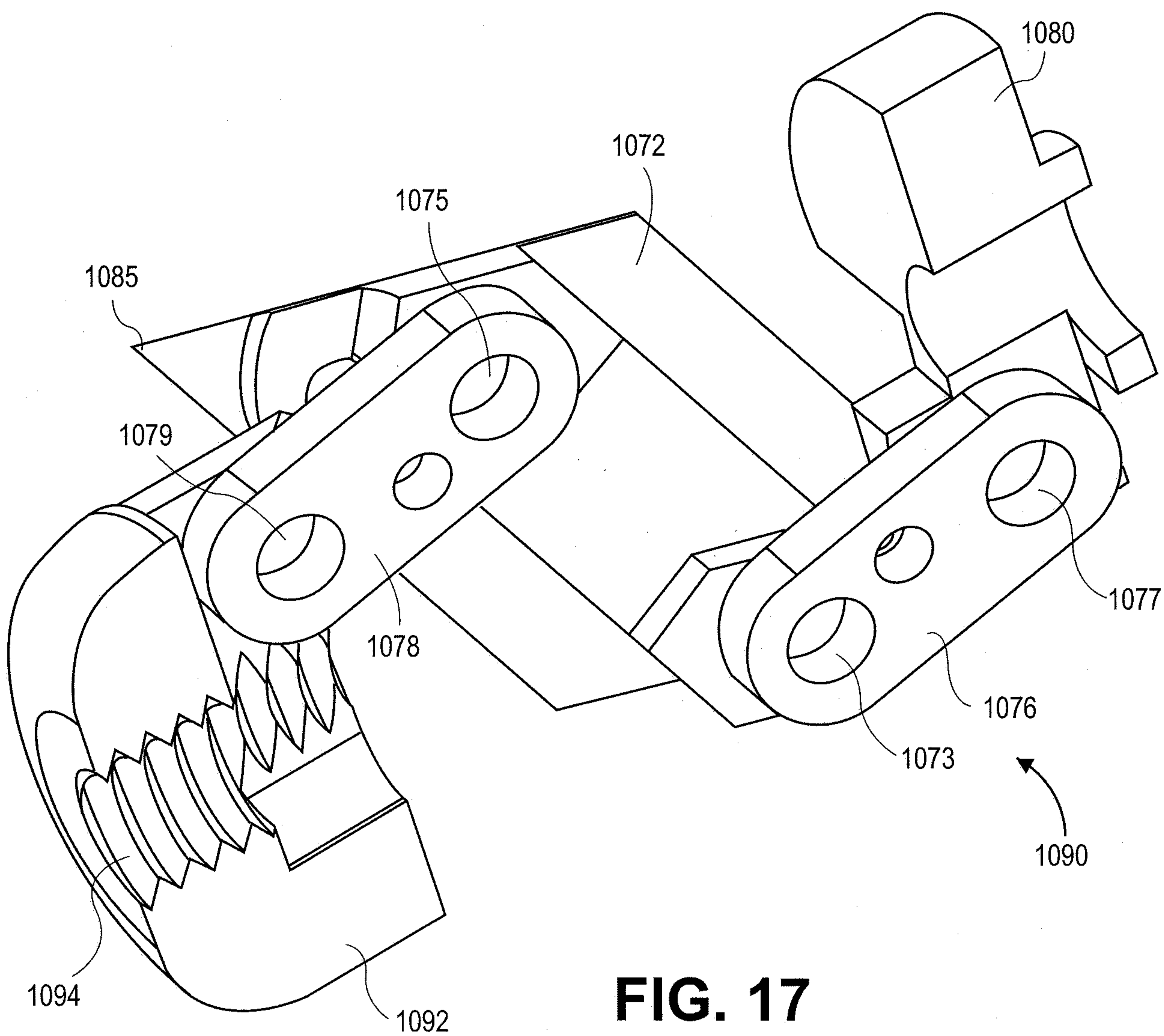


FIG. 17

26/71

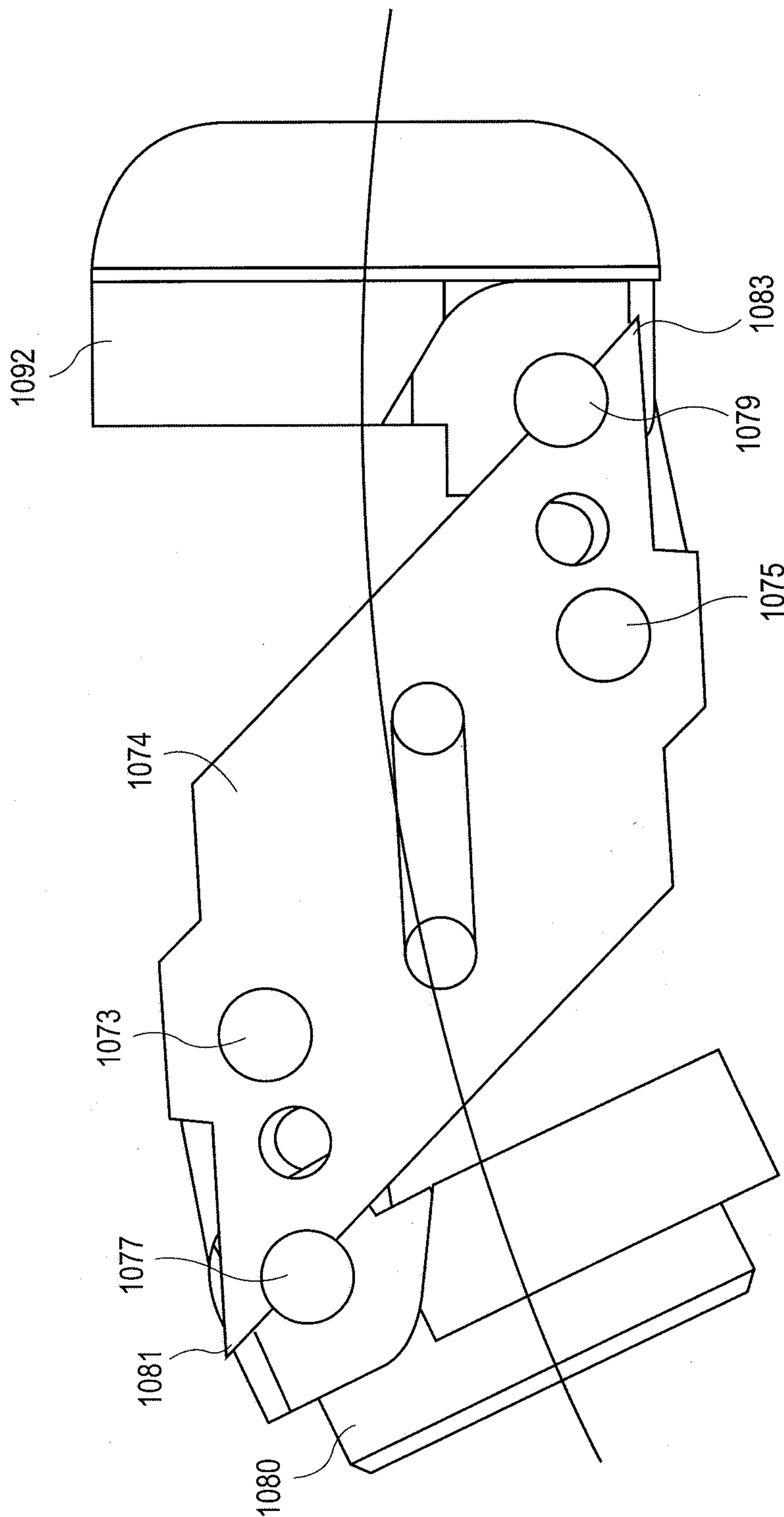


FIG. 18

27/71

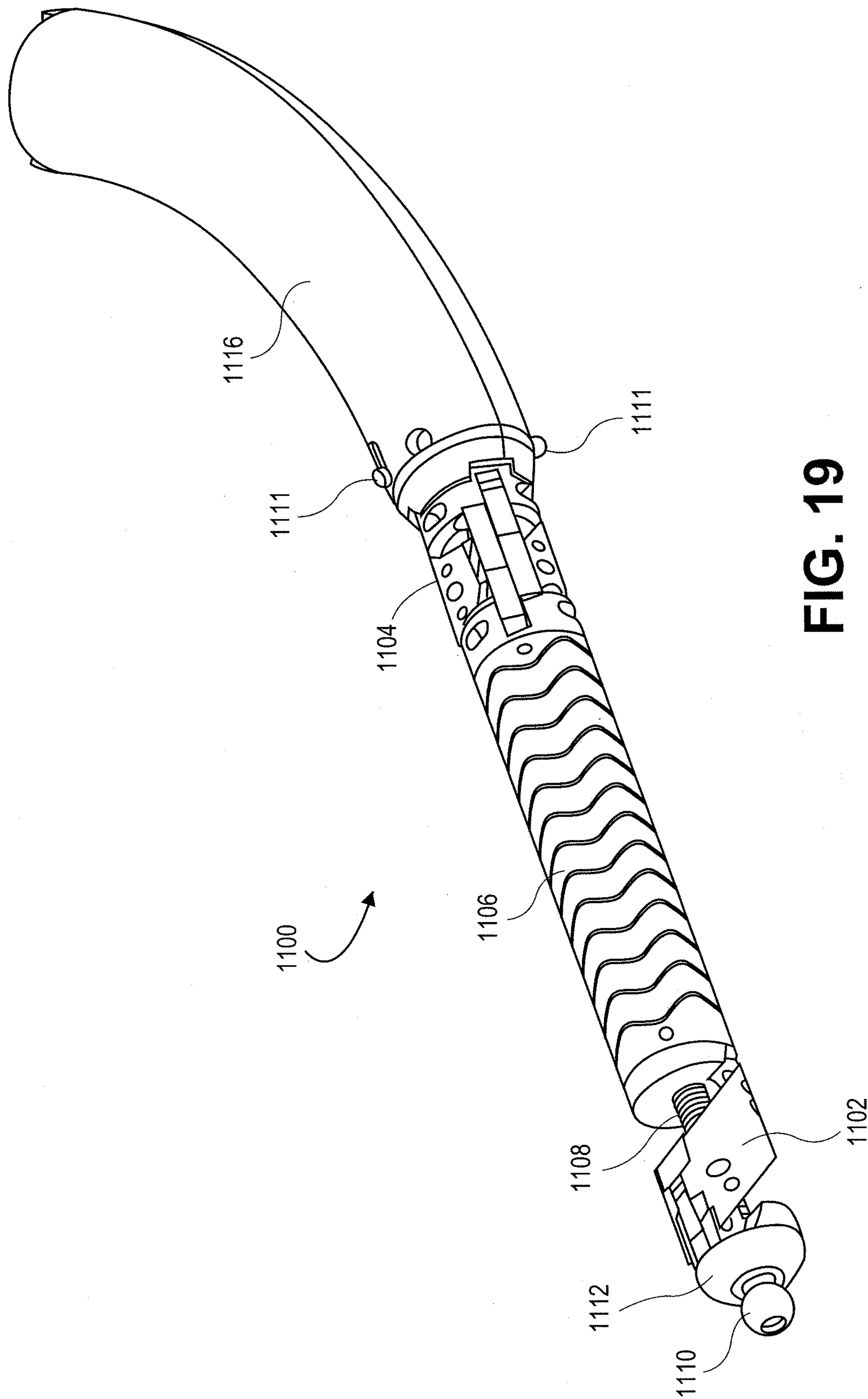


FIG. 19

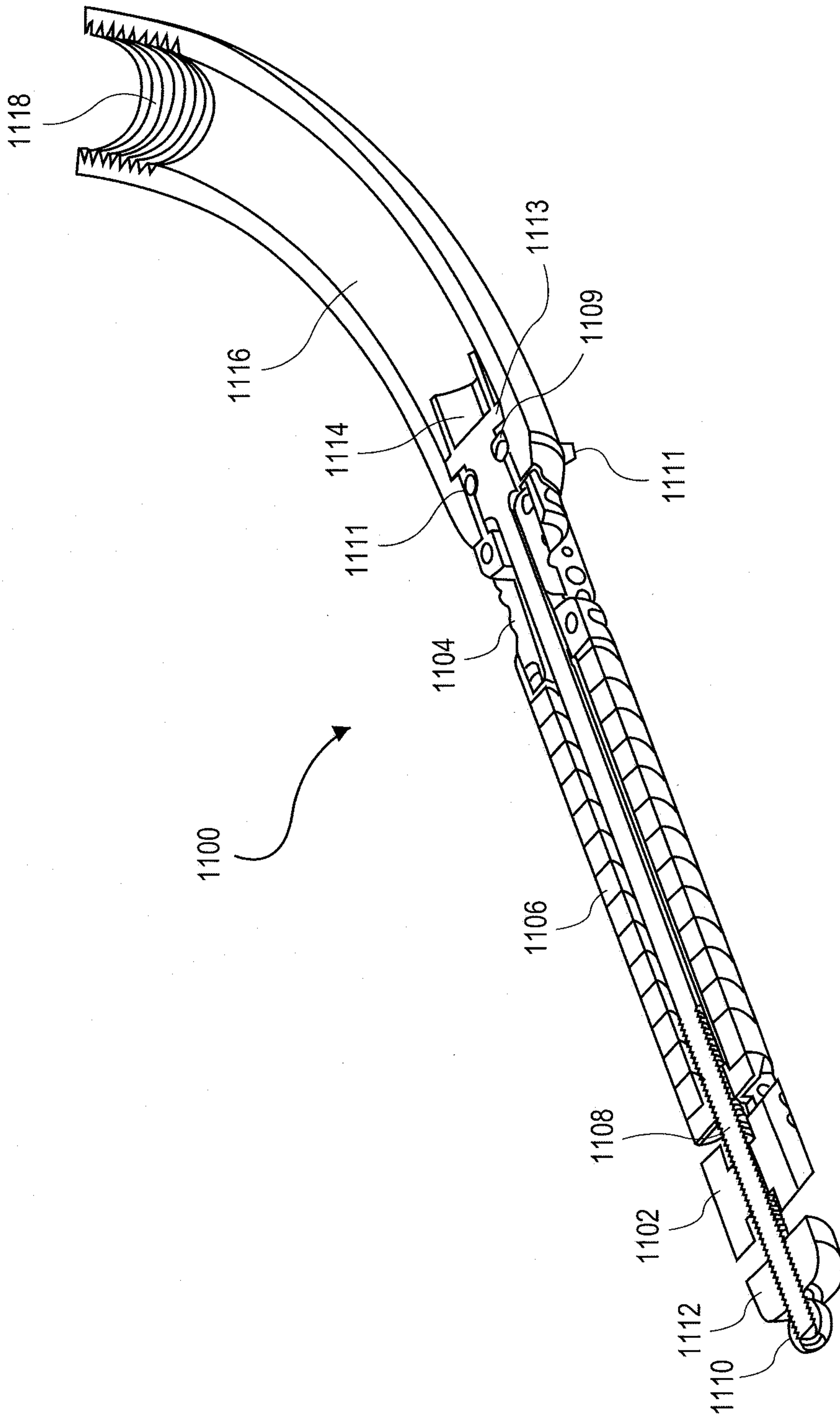


FIG. 20

29/71

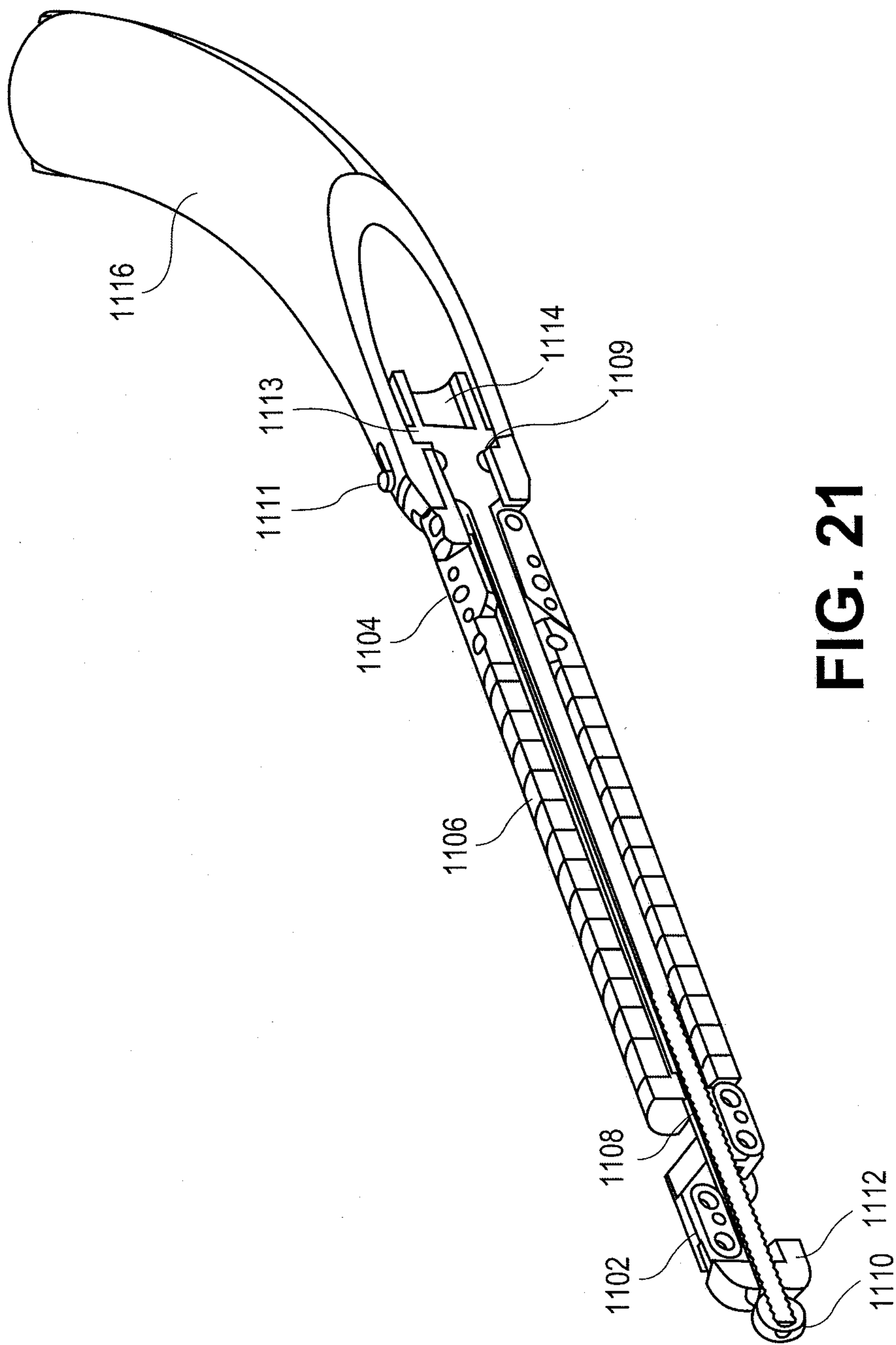


FIG. 21

30/71

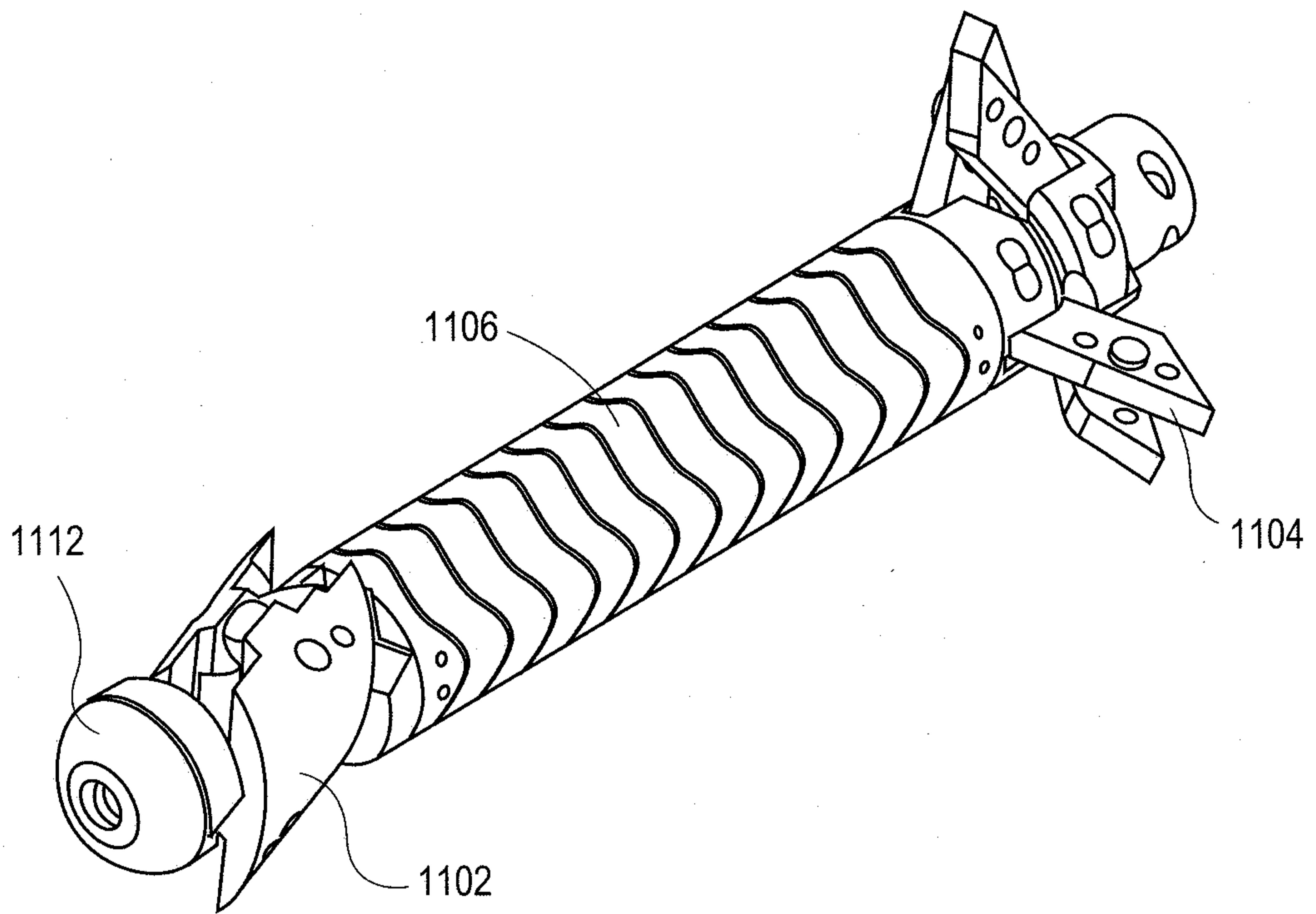


FIG. 22

31/71

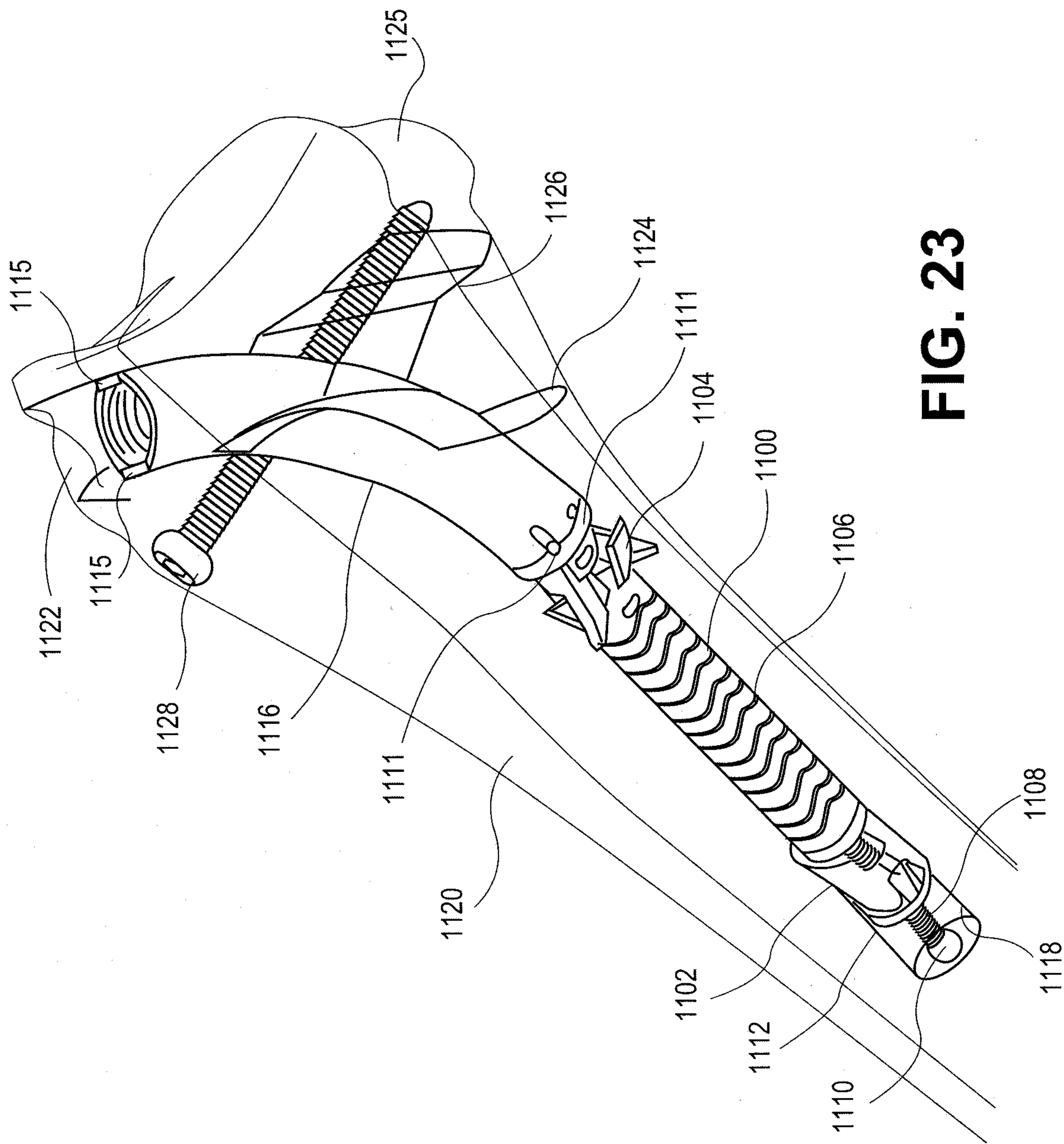


FIG. 23

32/71

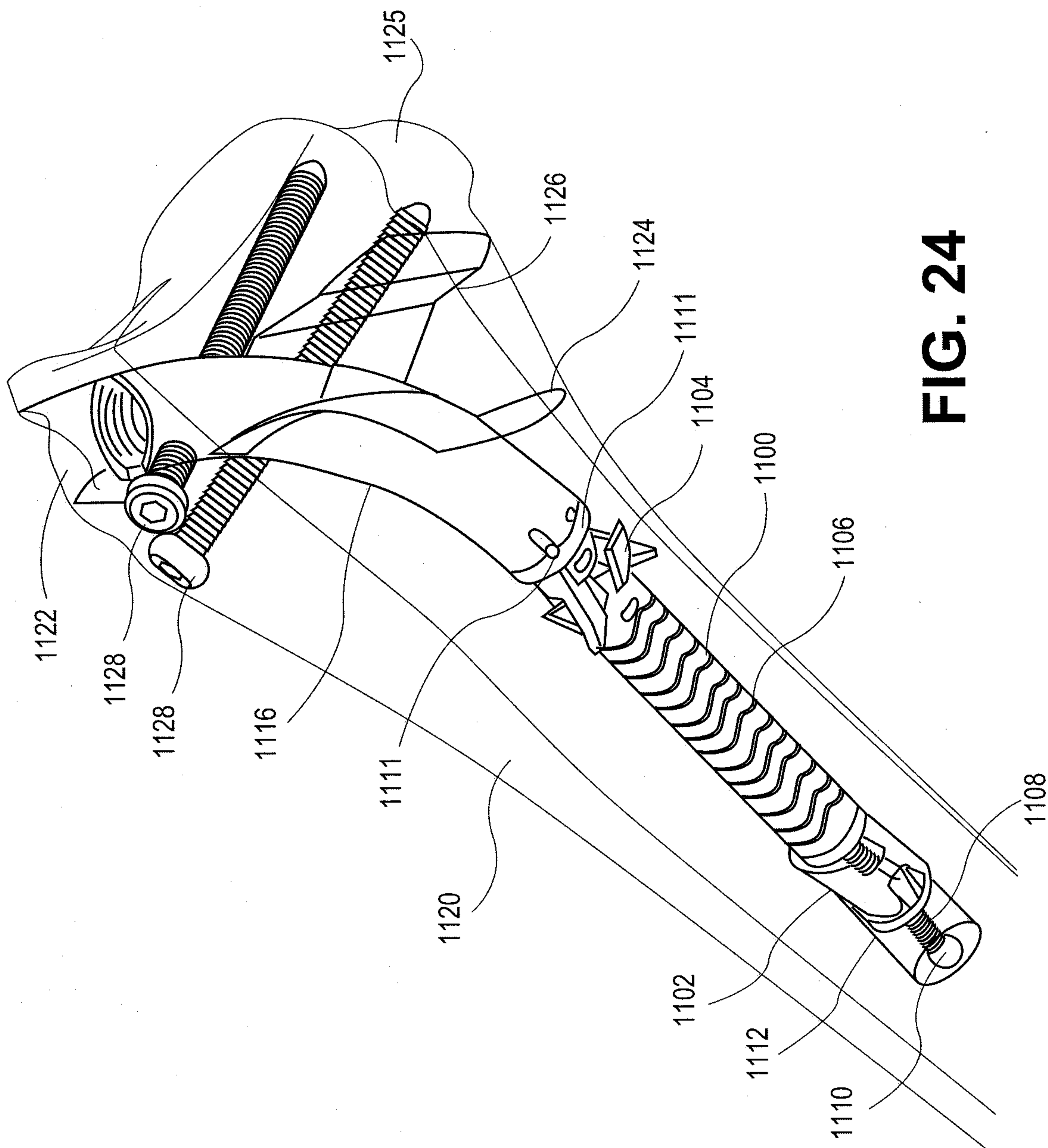


FIG. 24

33/71

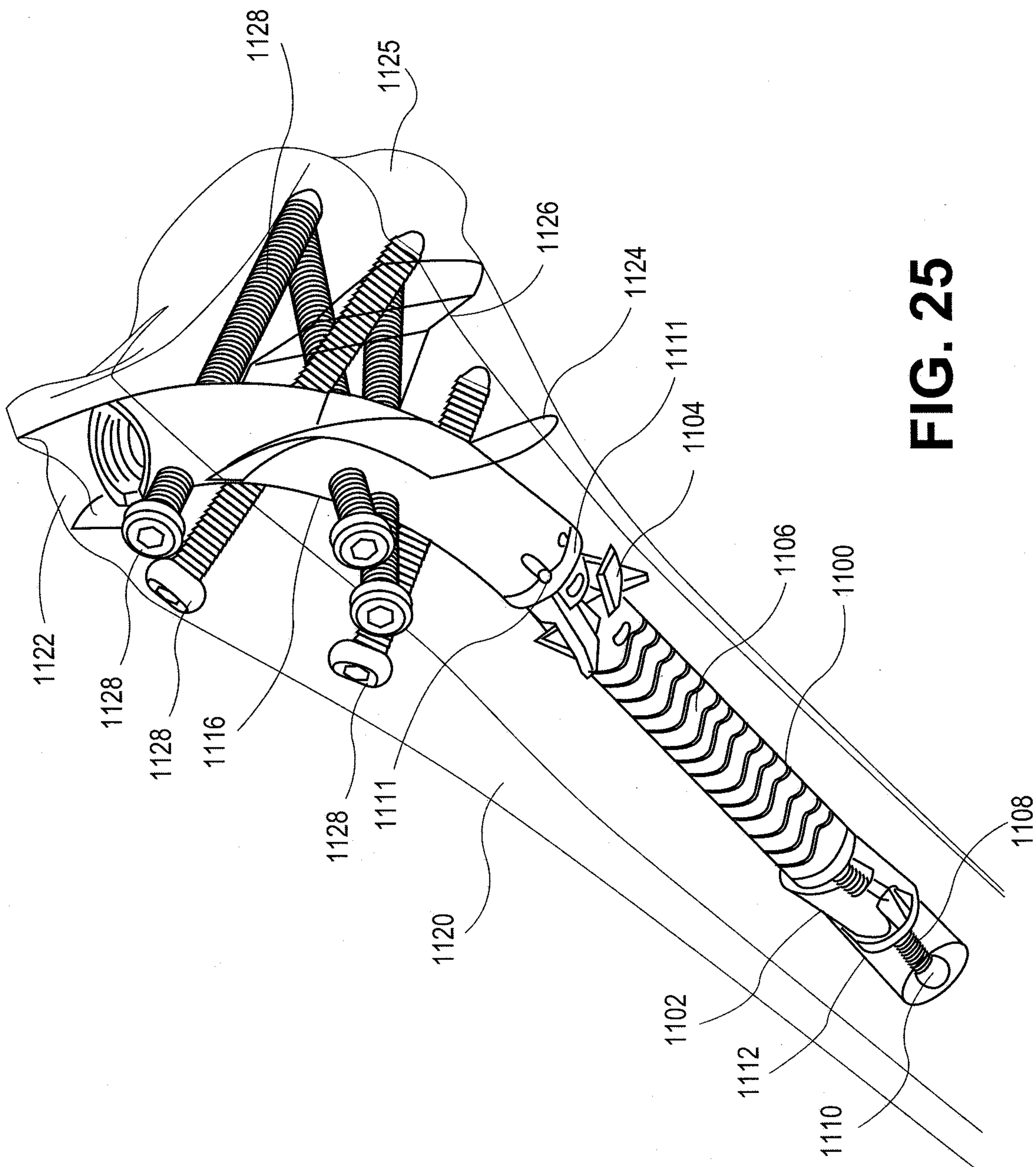


FIG. 25

34/71

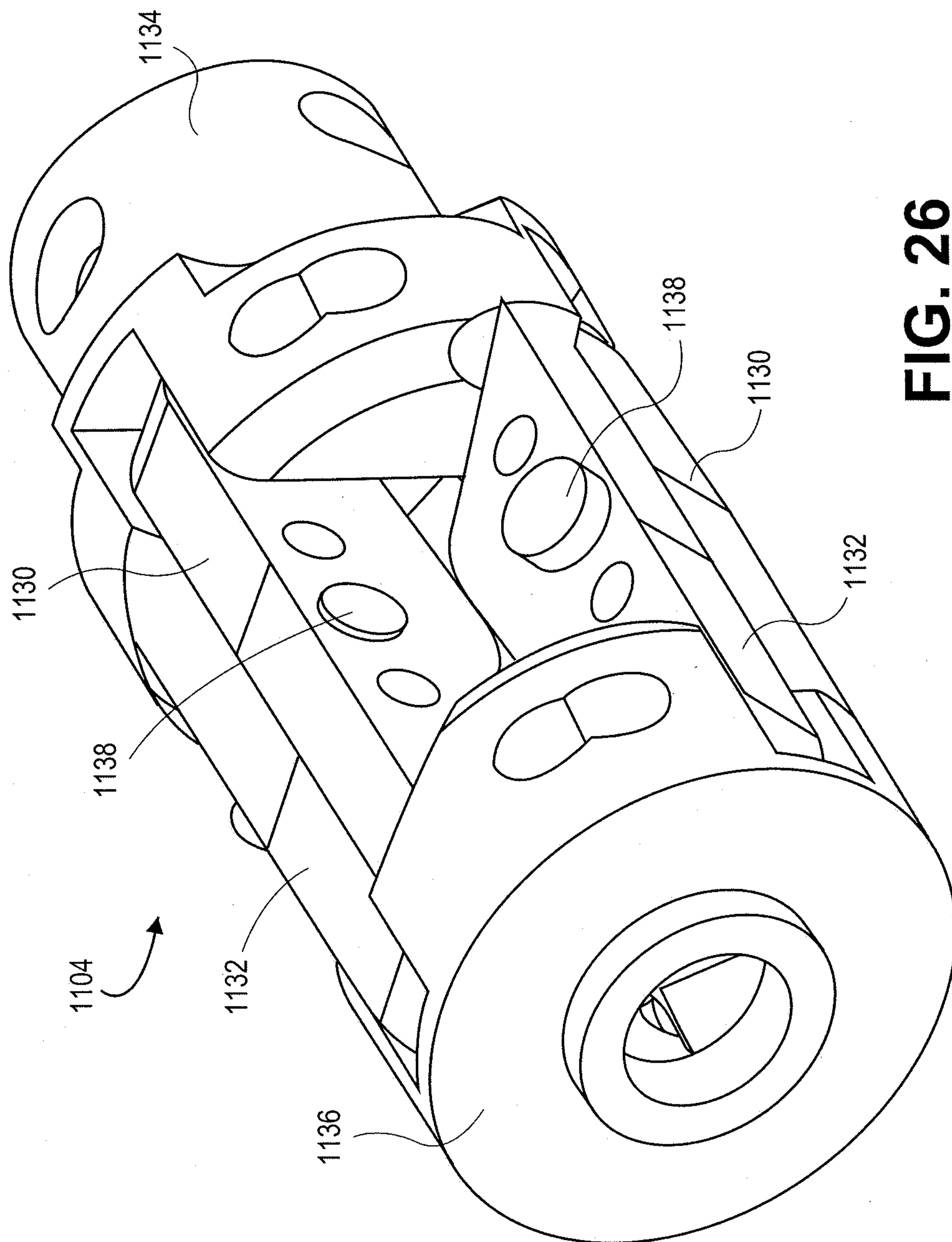


FIG. 26

35/71

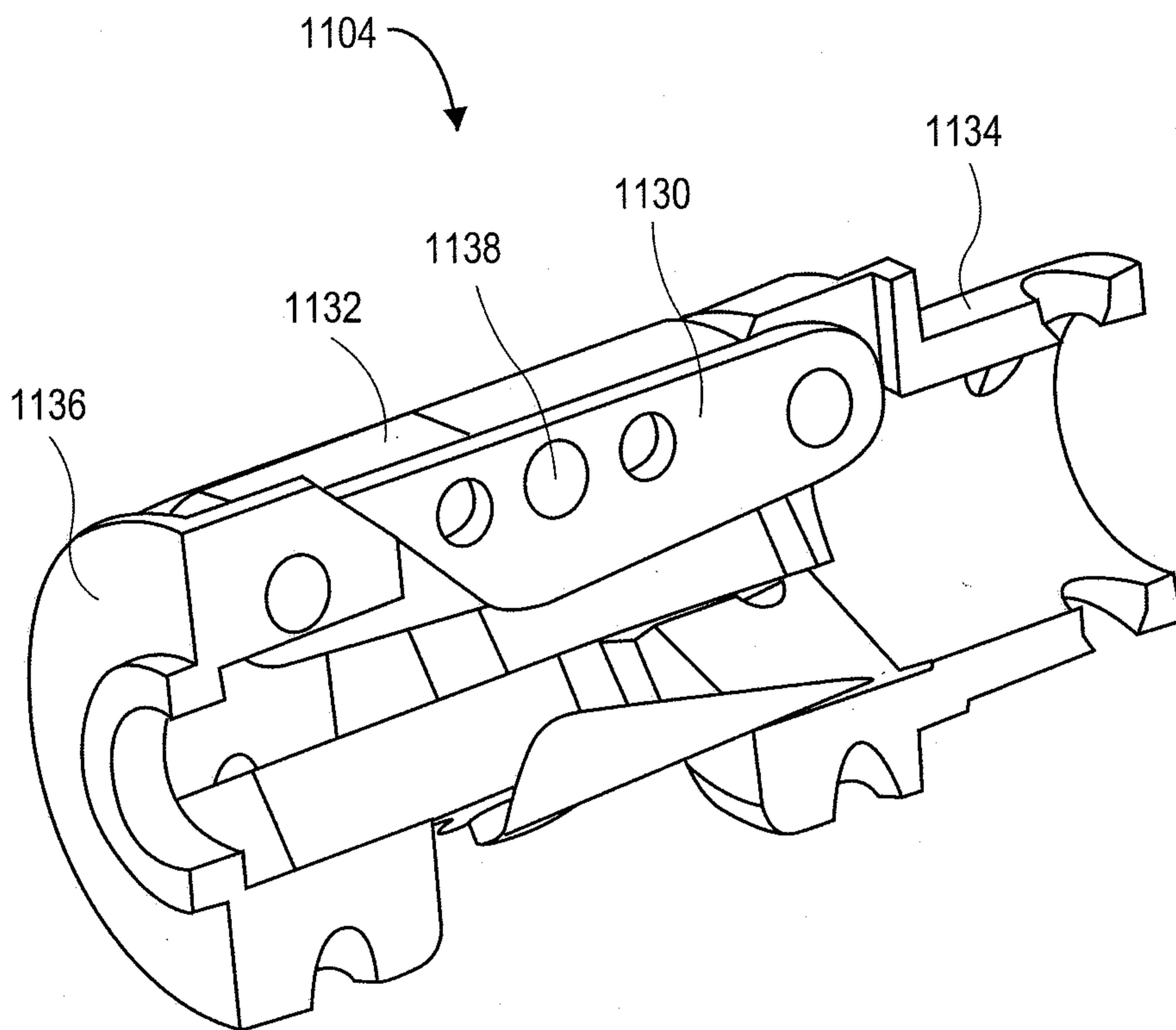


FIG. 27

36/71

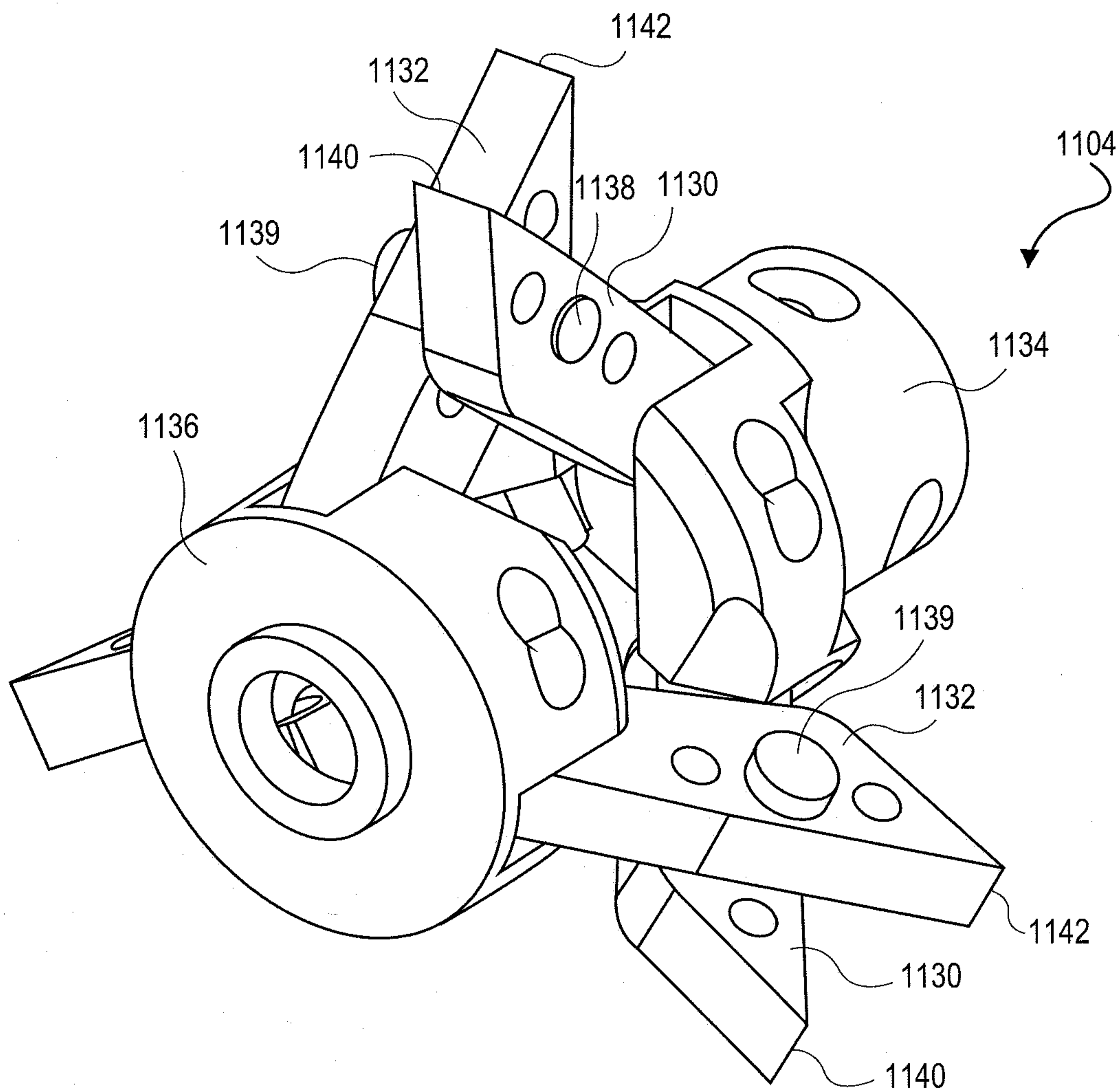


FIG. 28

37/71

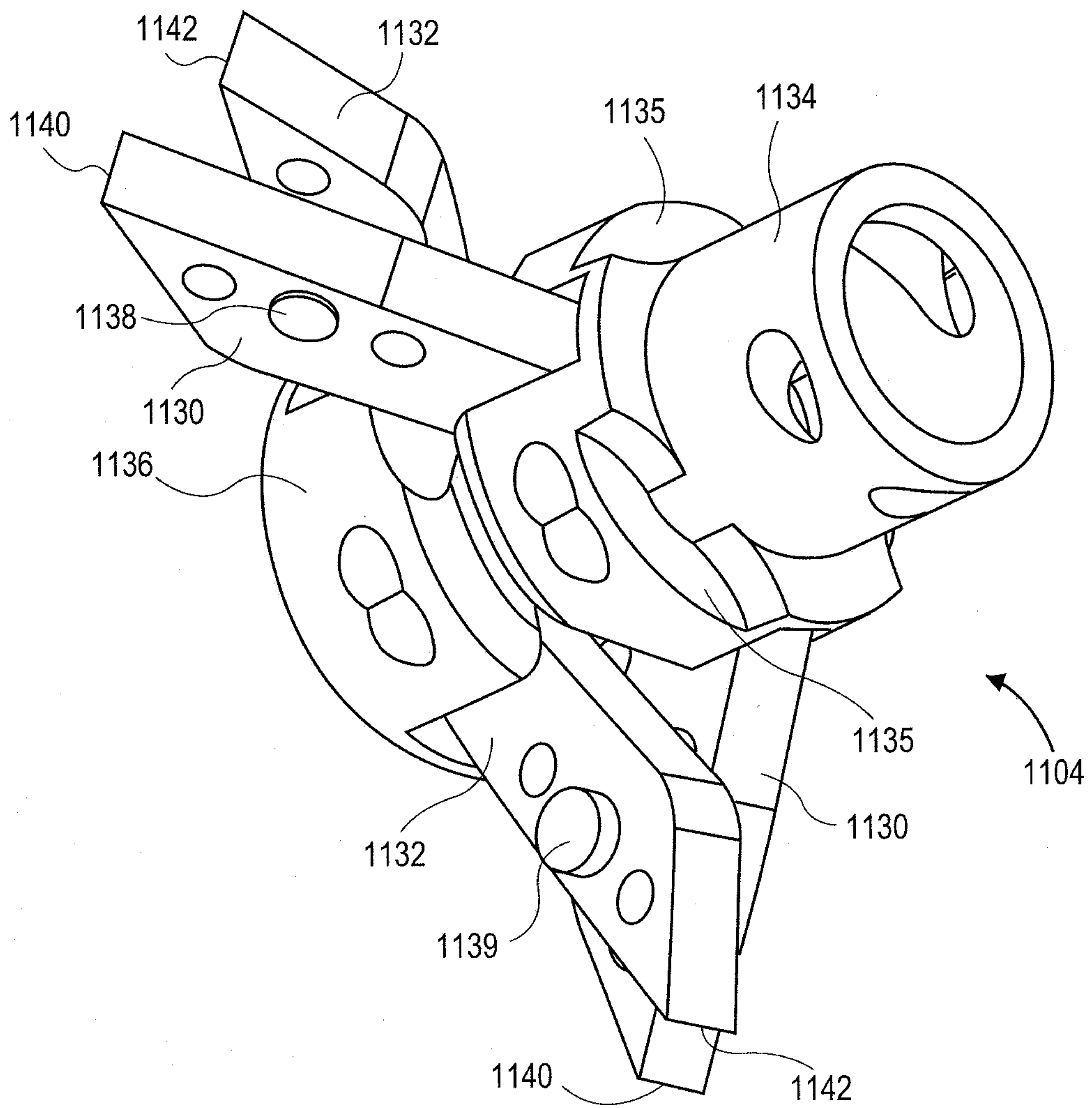


FIG. 29

38/71

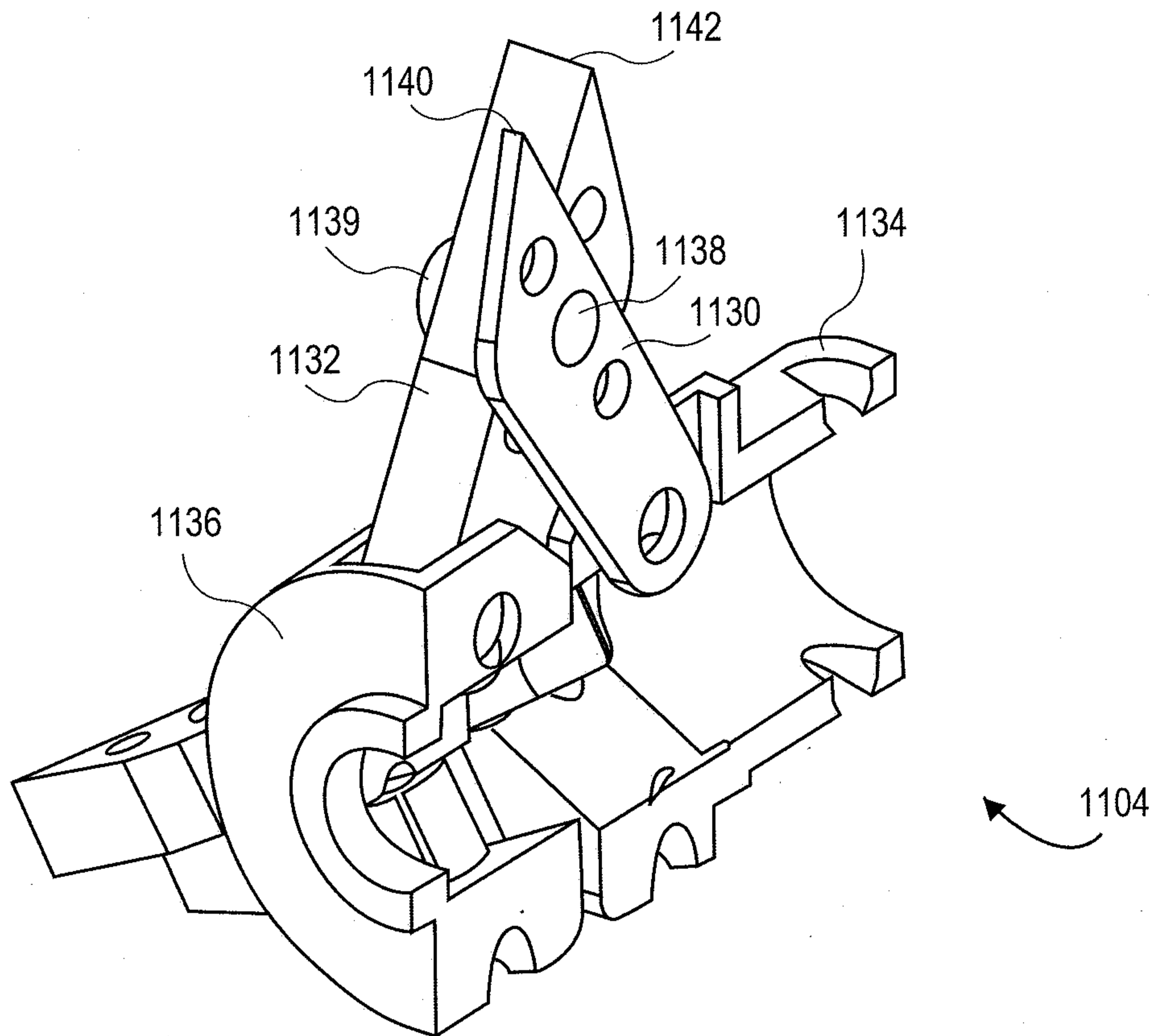


FIG. 30

39/71

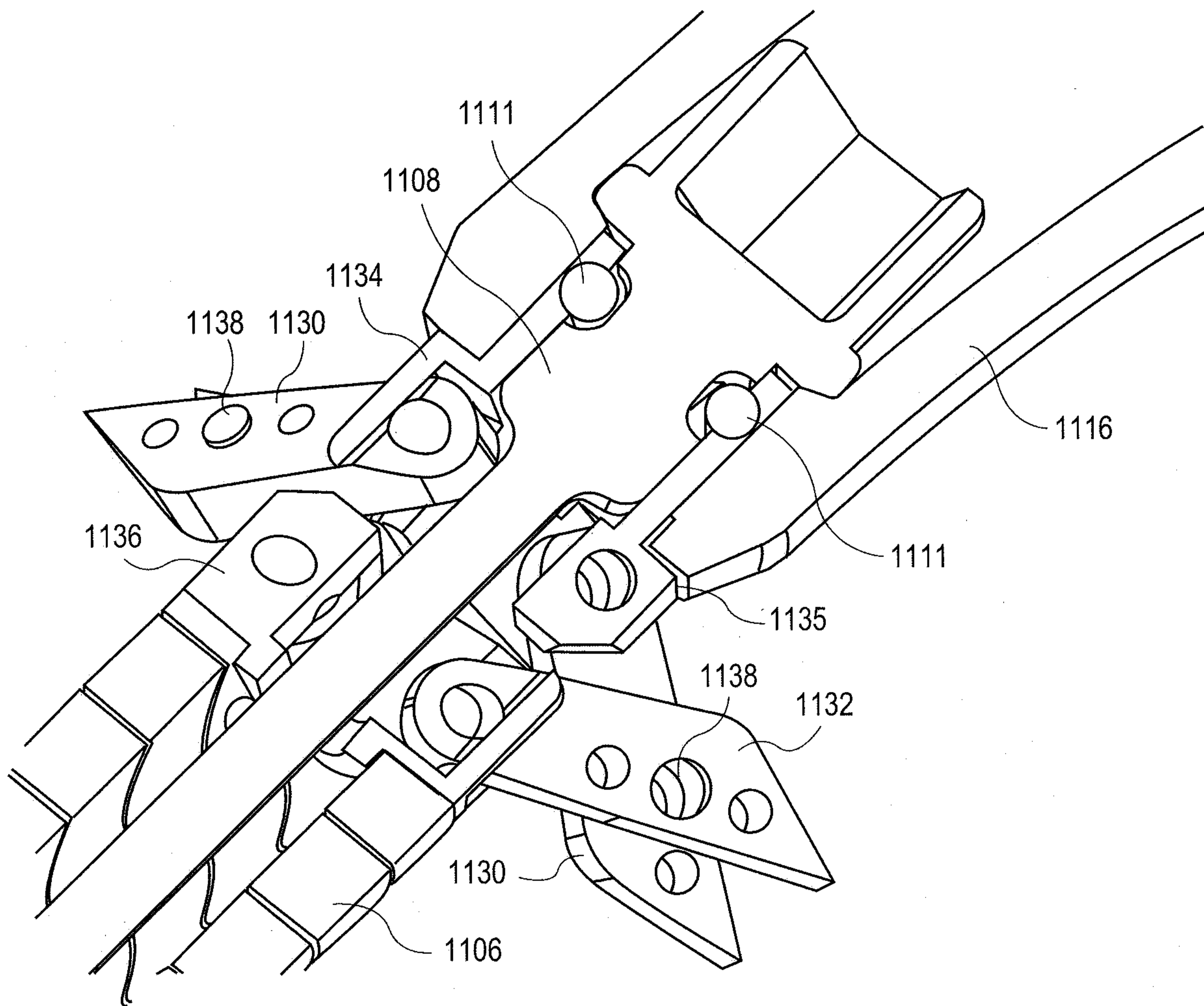


FIG. 31

40/71

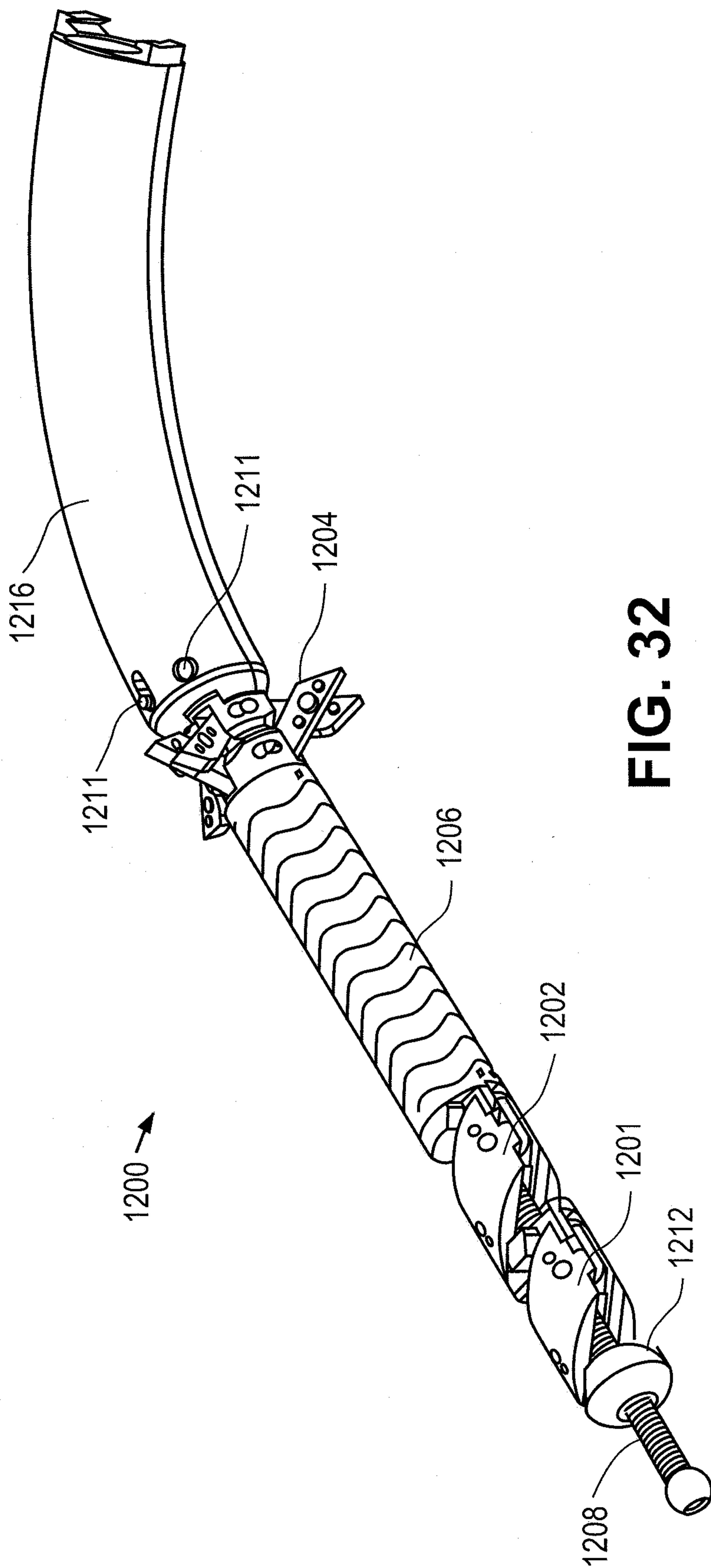


FIG. 32

41/71

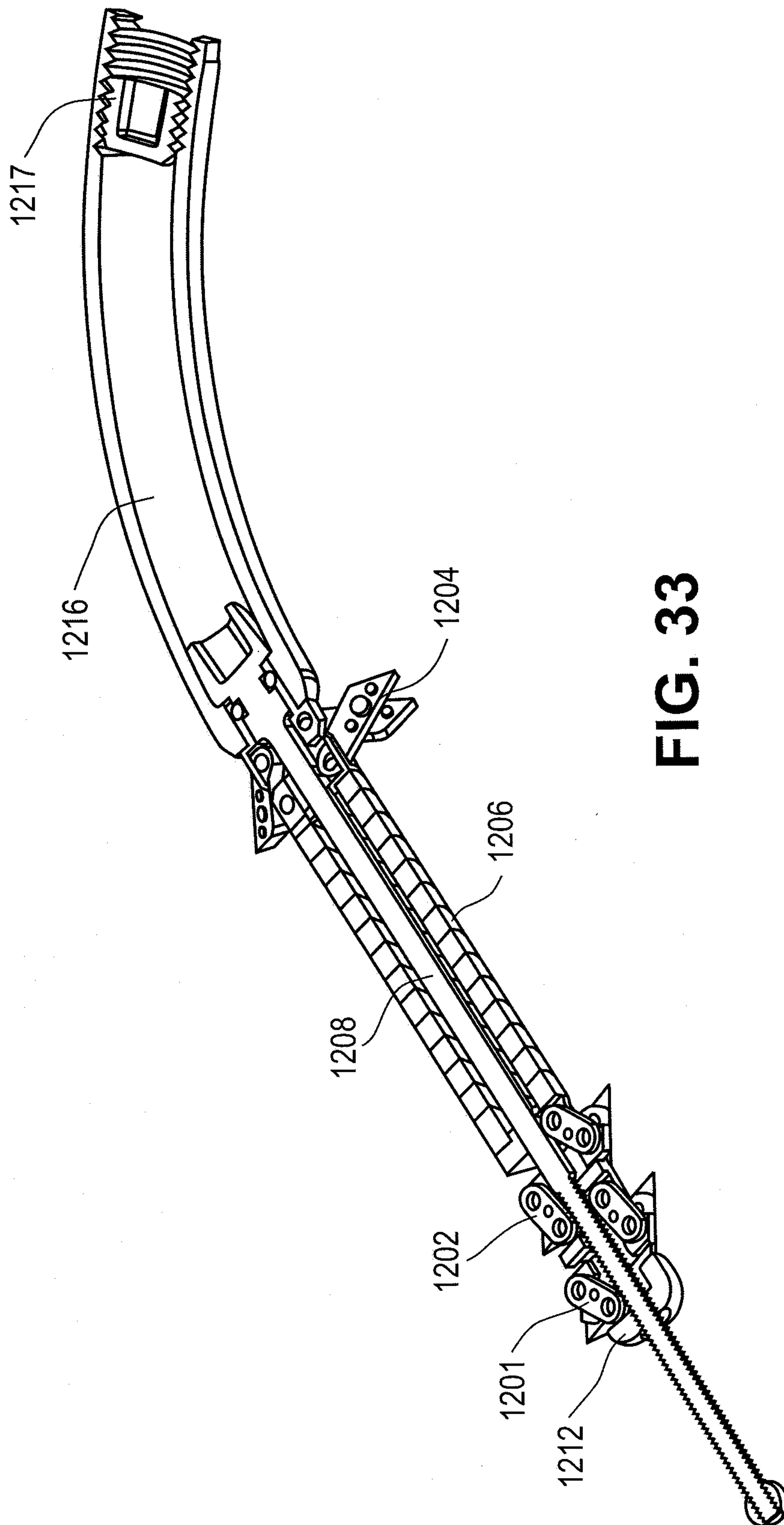


FIG. 33

42/71

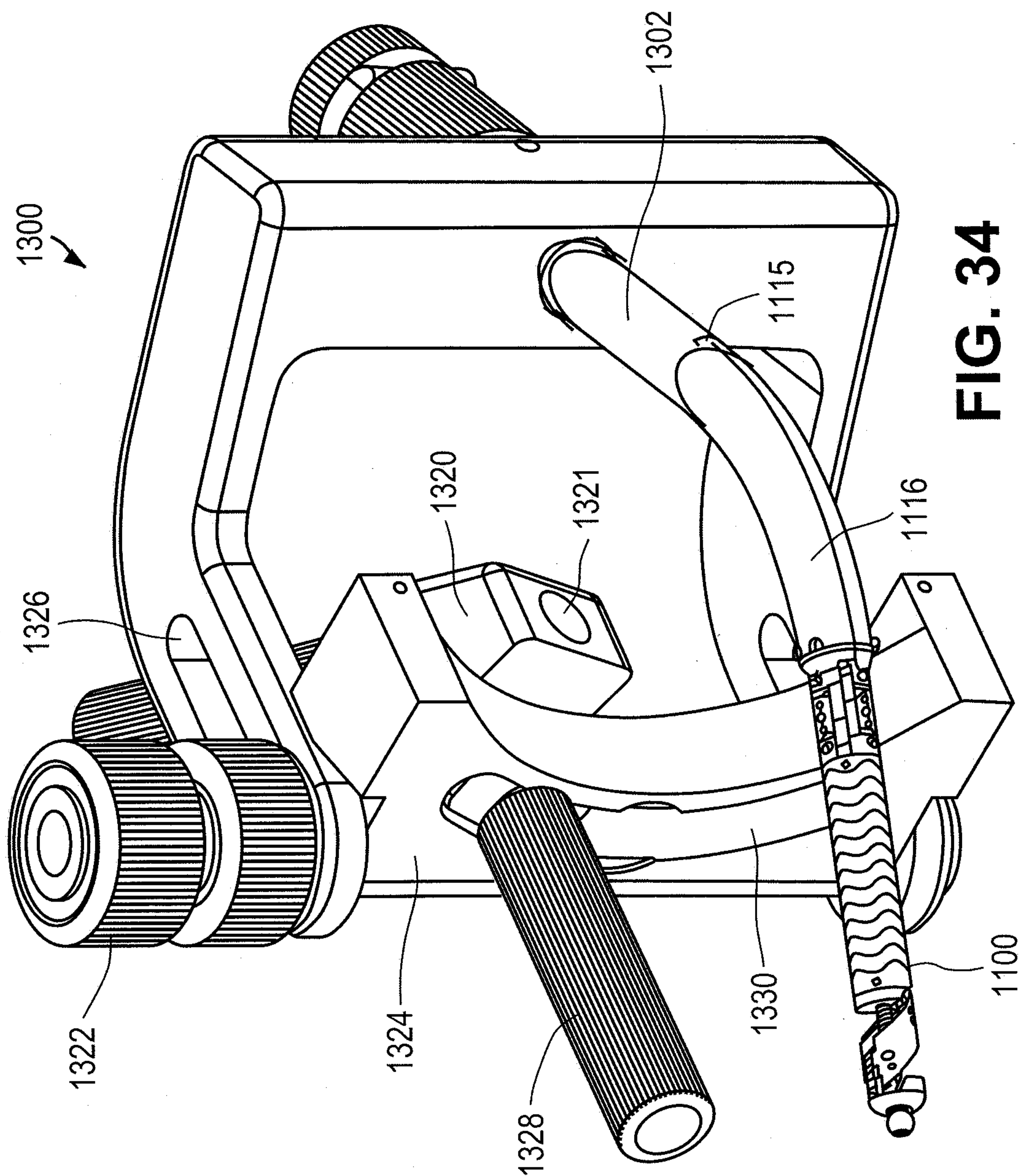


FIG. 34

43/71

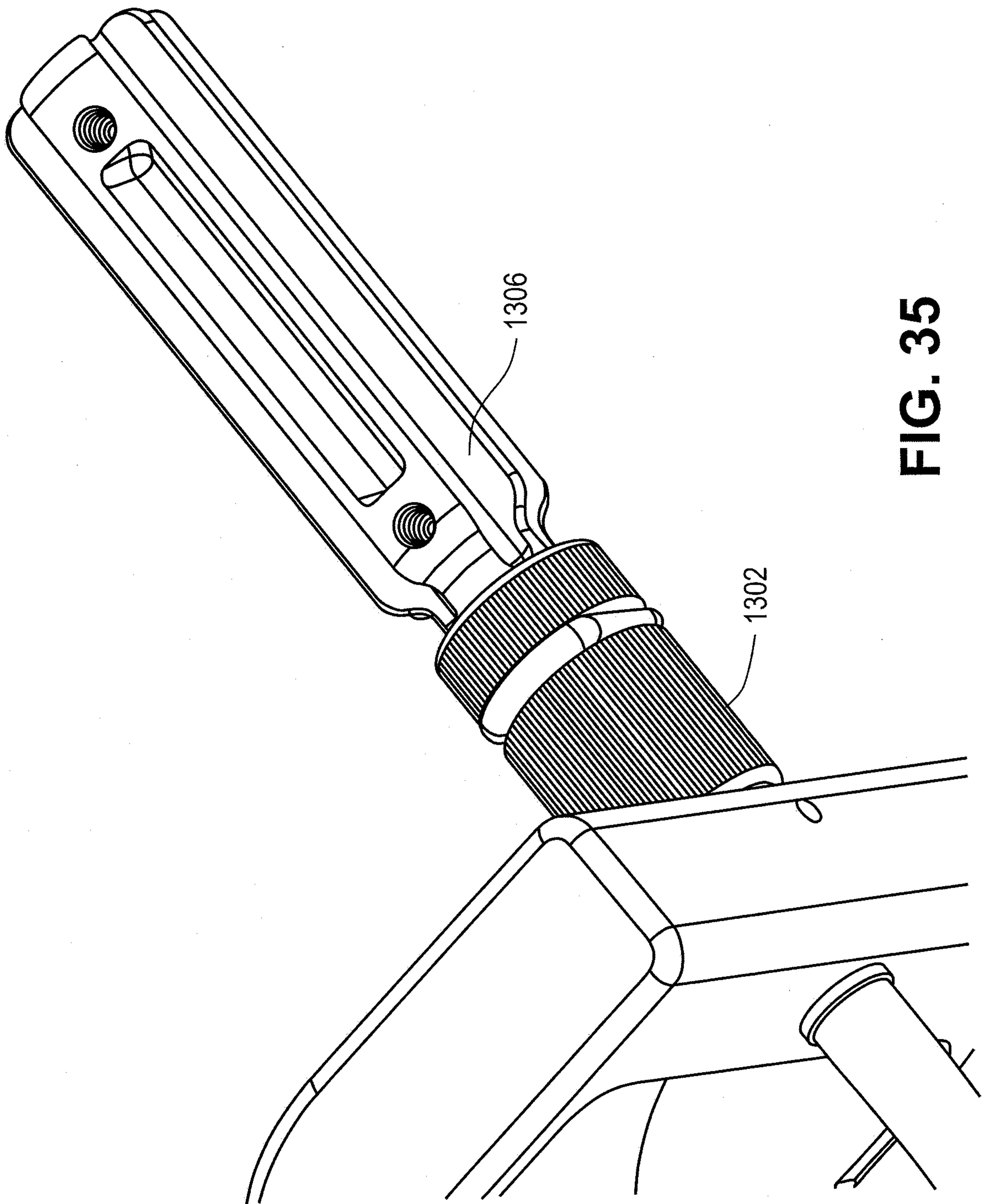


FIG. 35

44/71

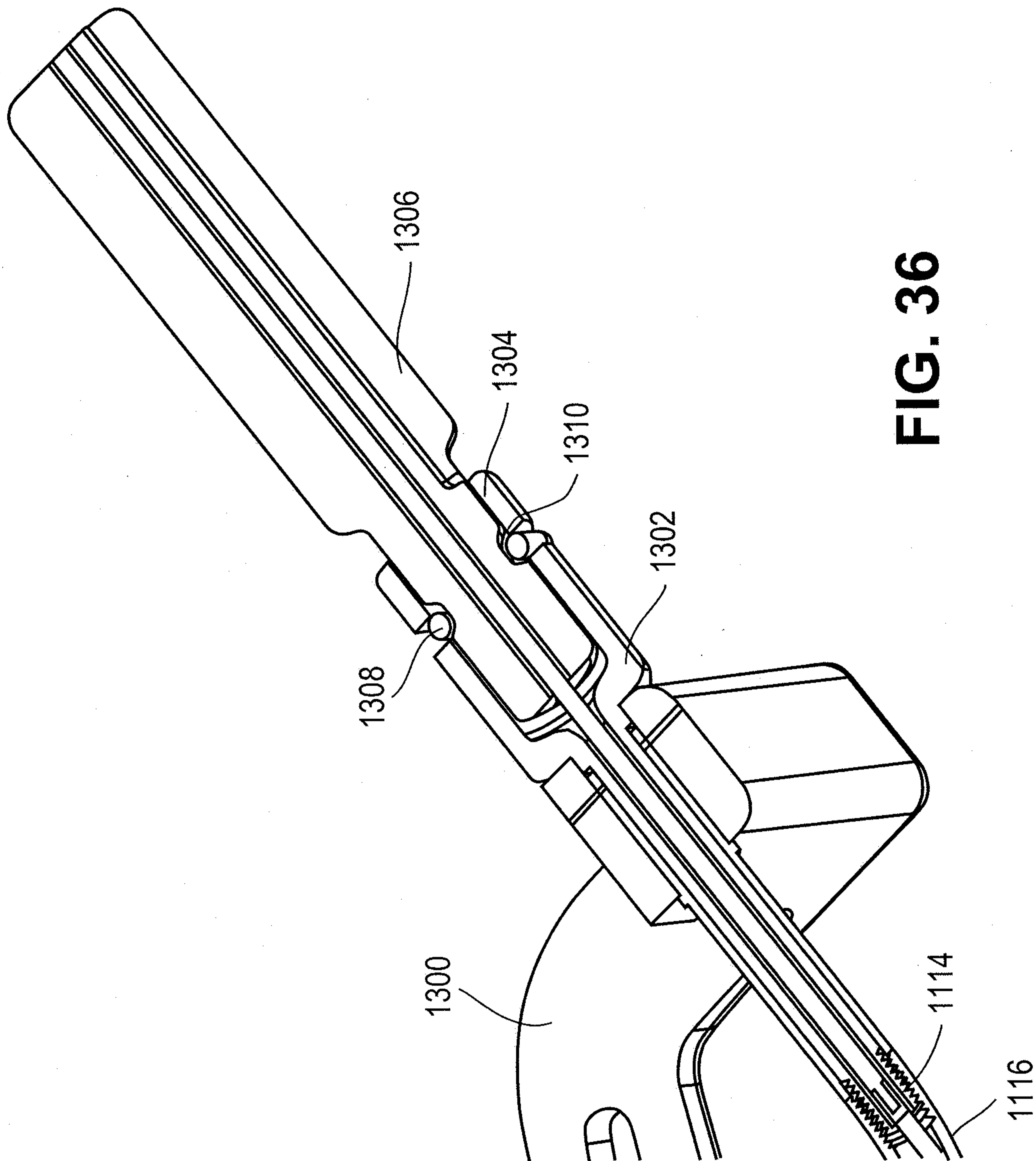
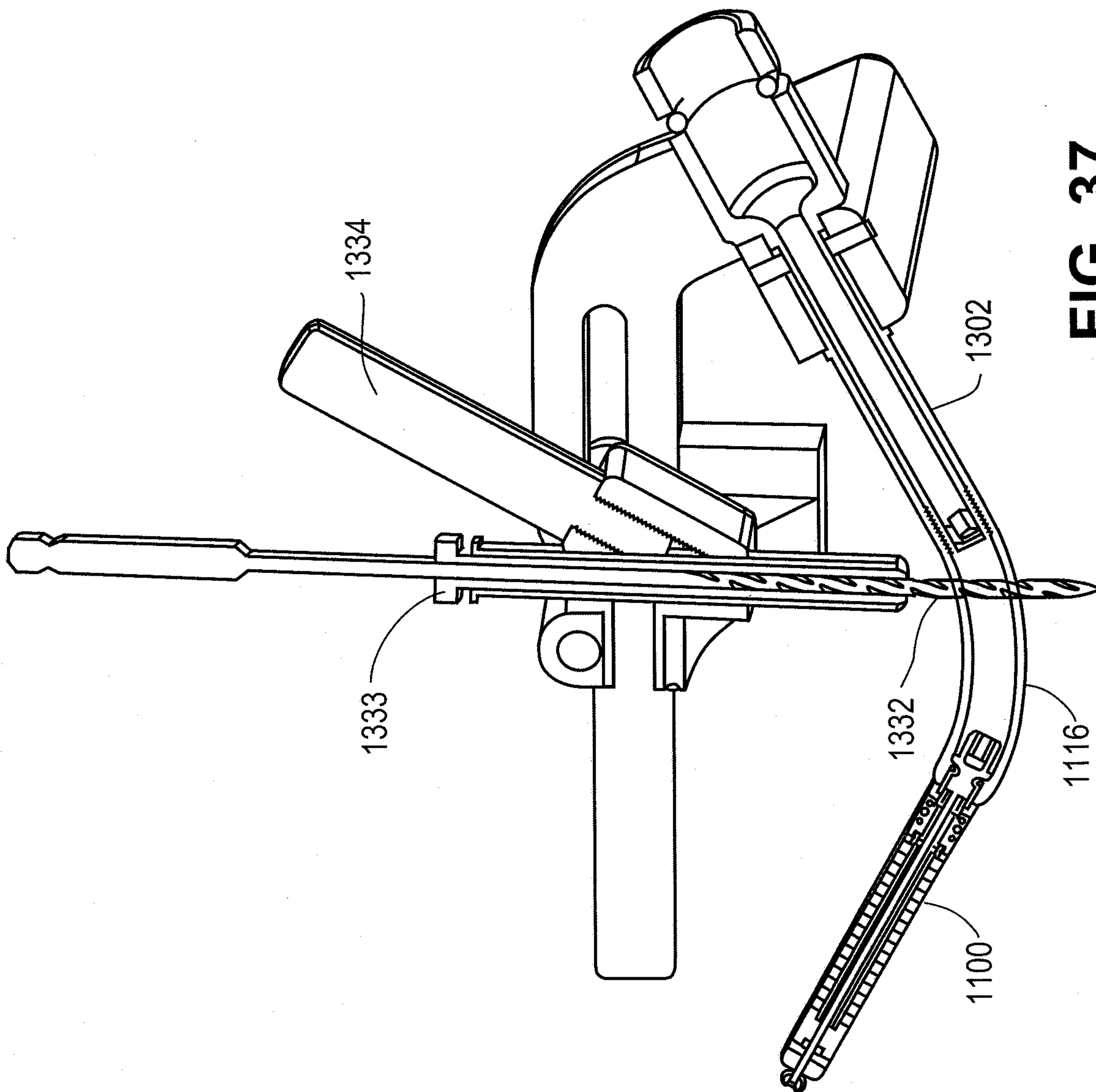


FIG. 36

45/71



46/71

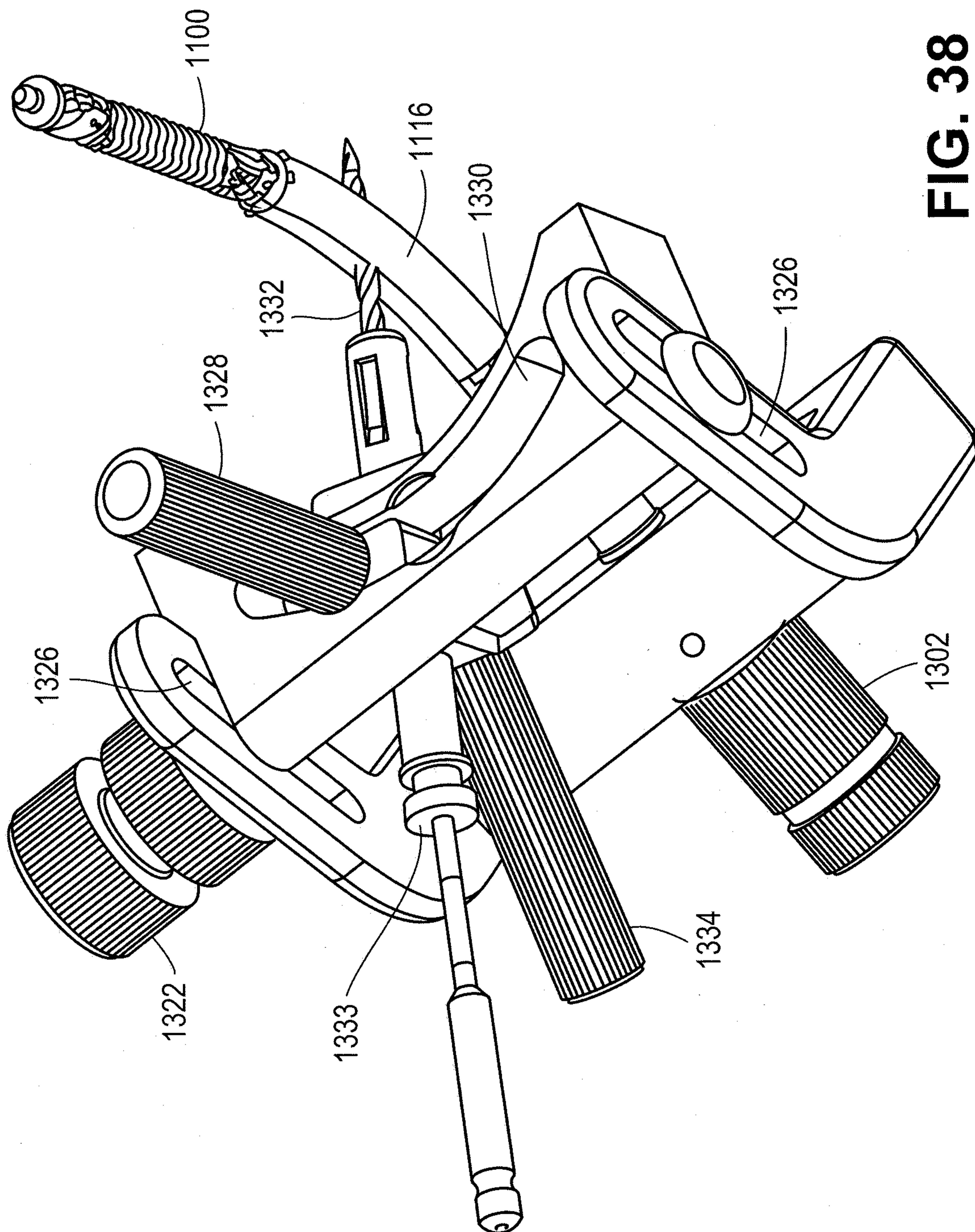


FIG. 38

47/71

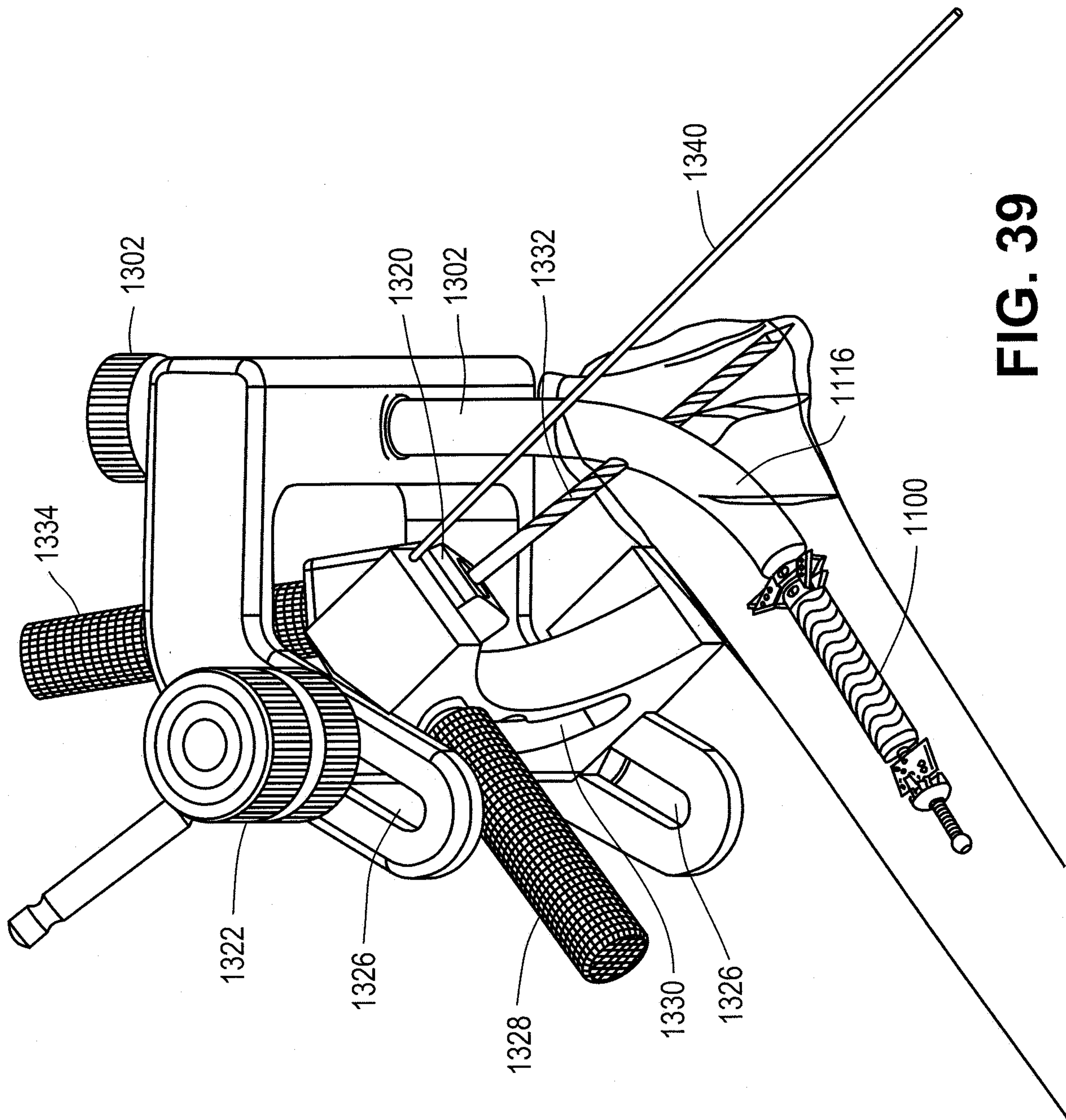


FIG. 39

48/71

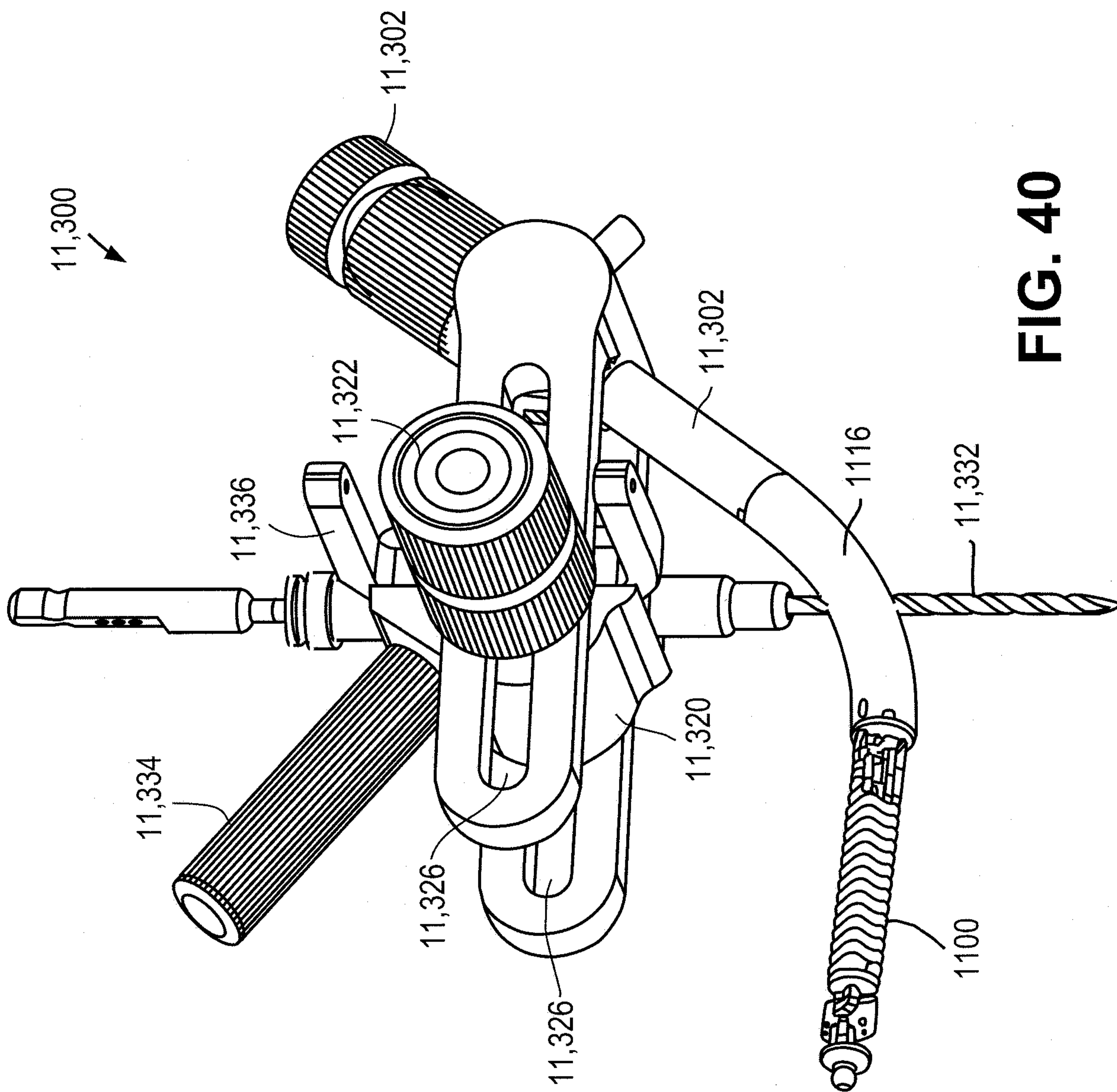


FIG. 40

49/71

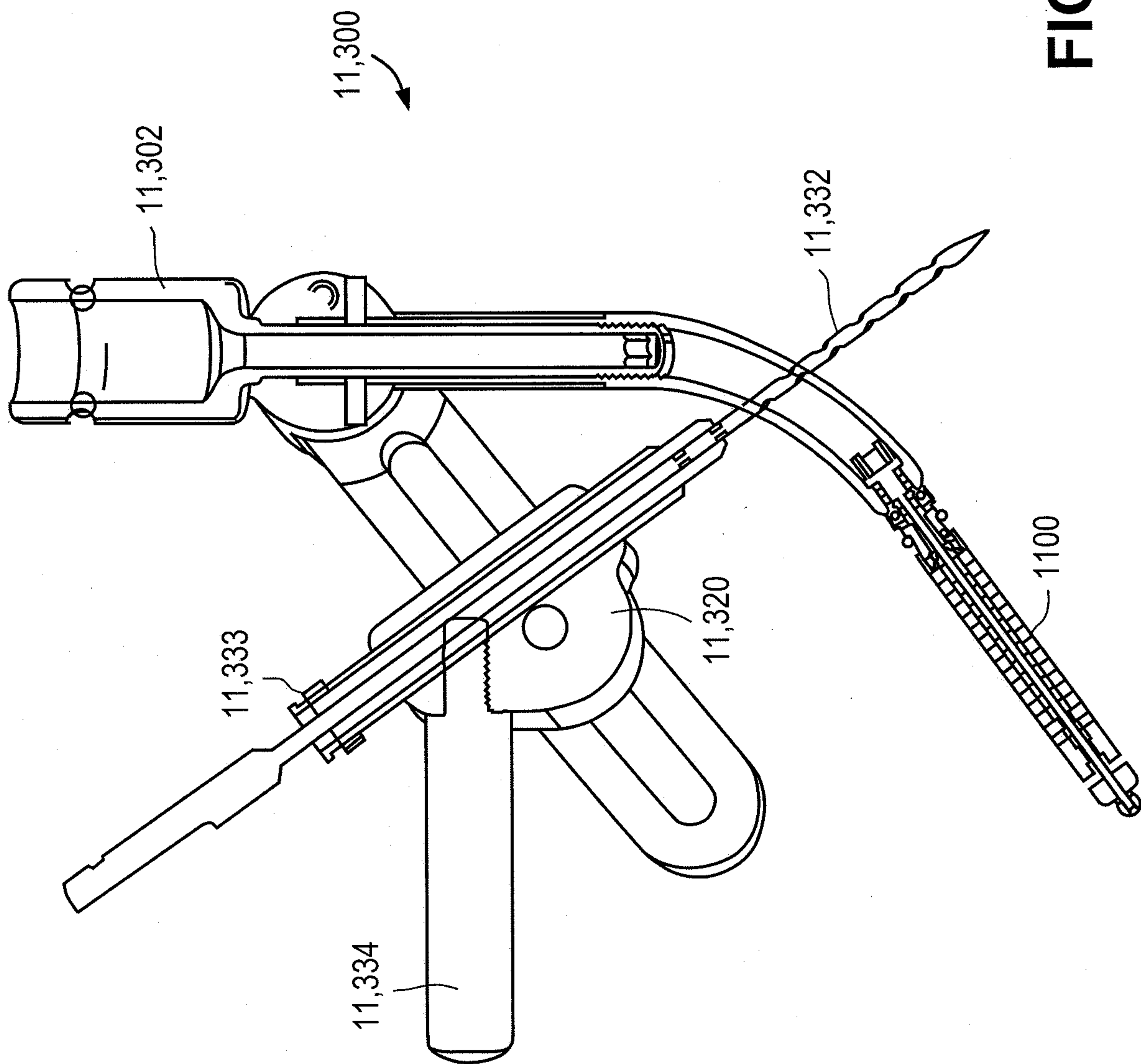


FIG. 41

50/71

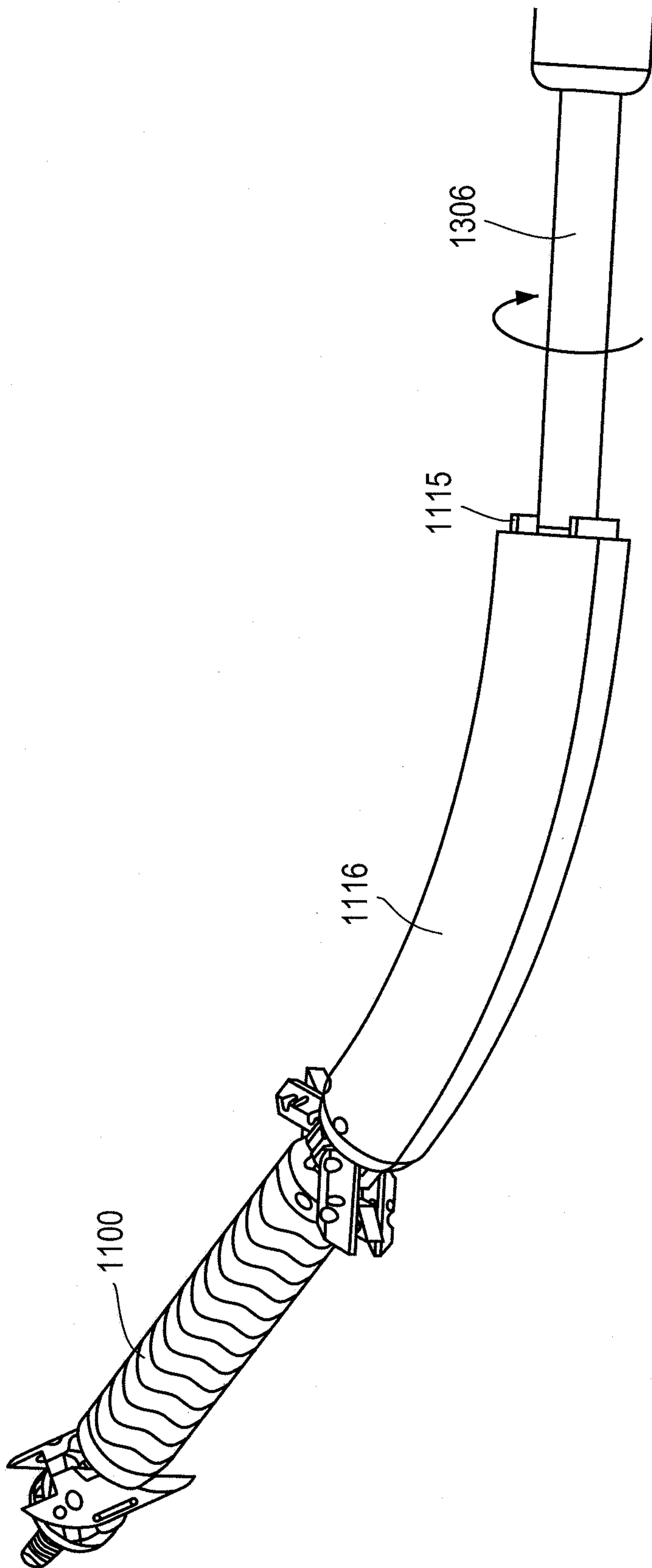


FIG. 42

51/71

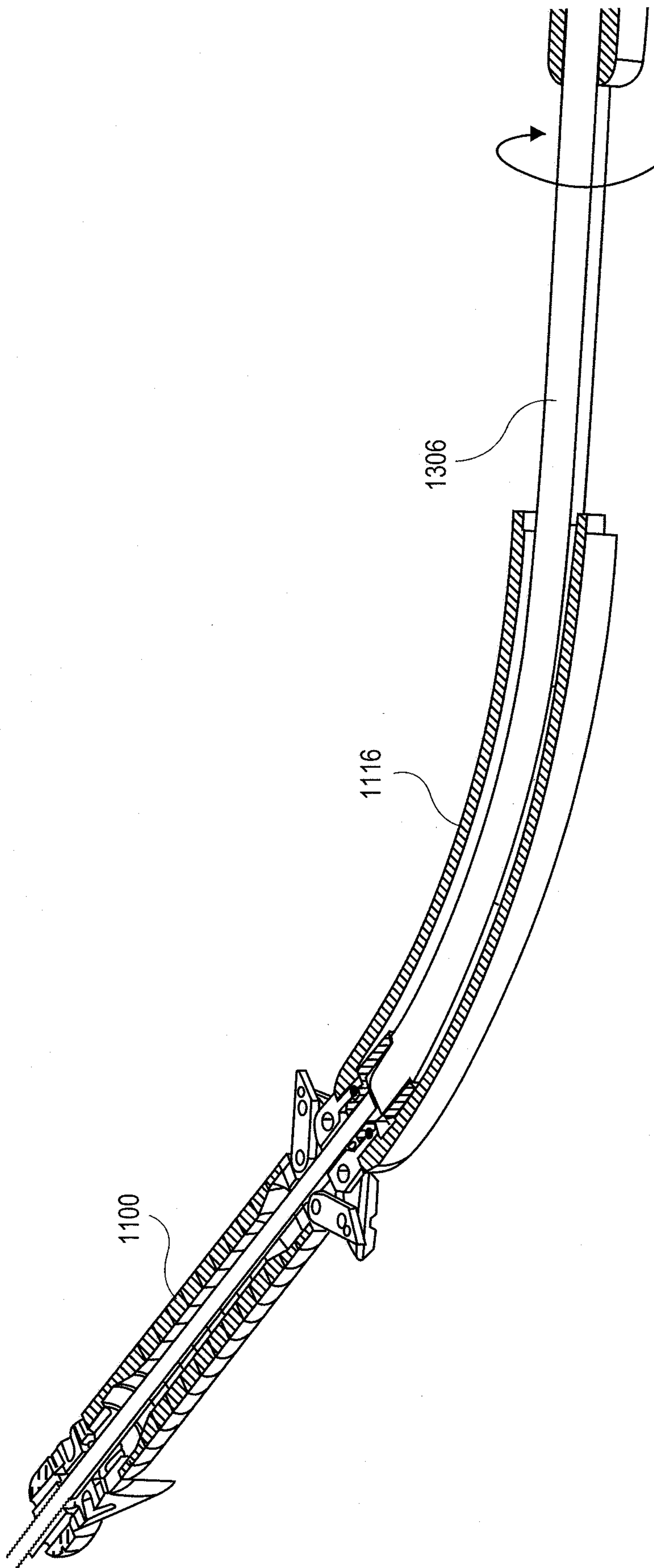


FIG. 43

52/71

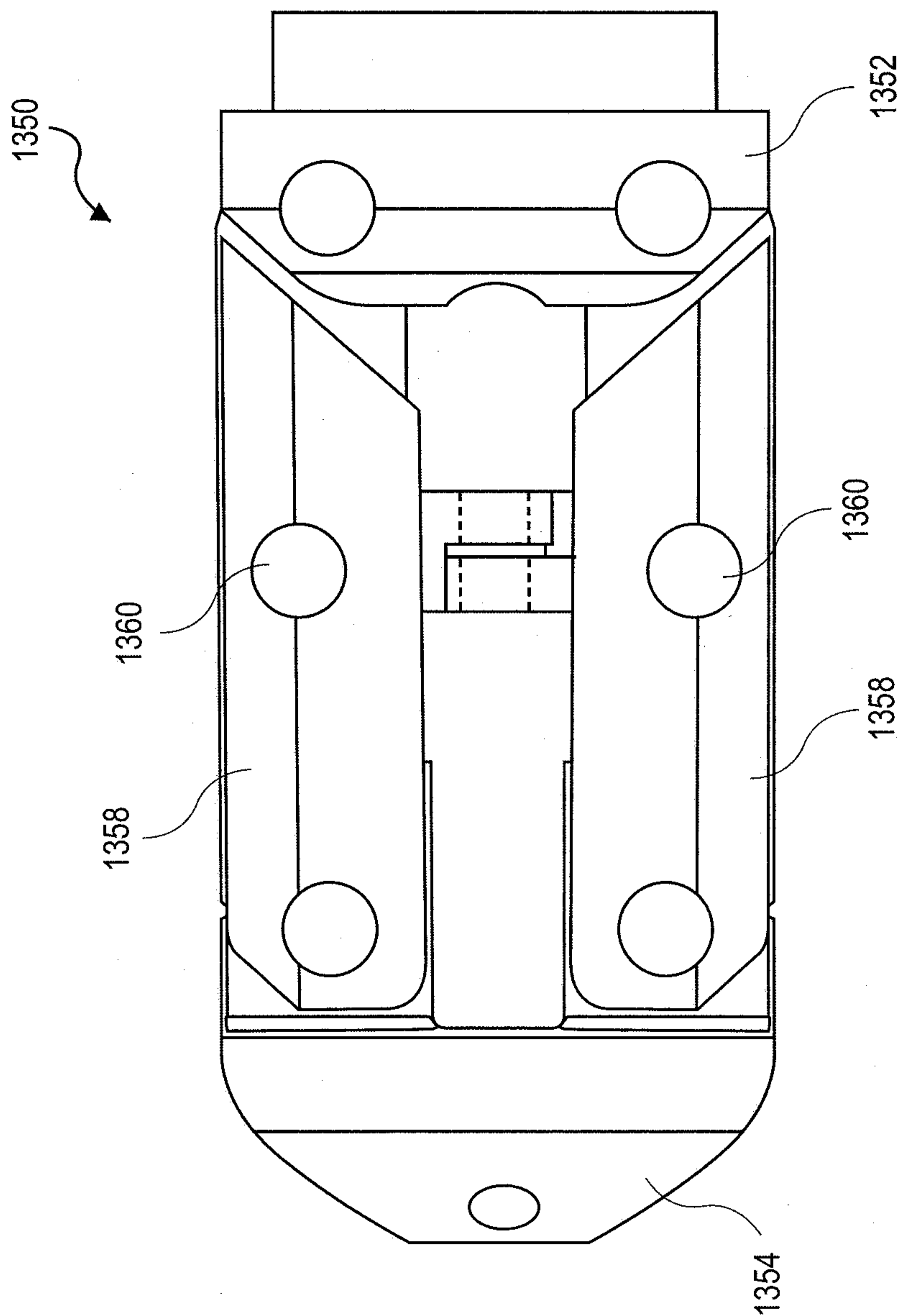


FIG. 44

53/71

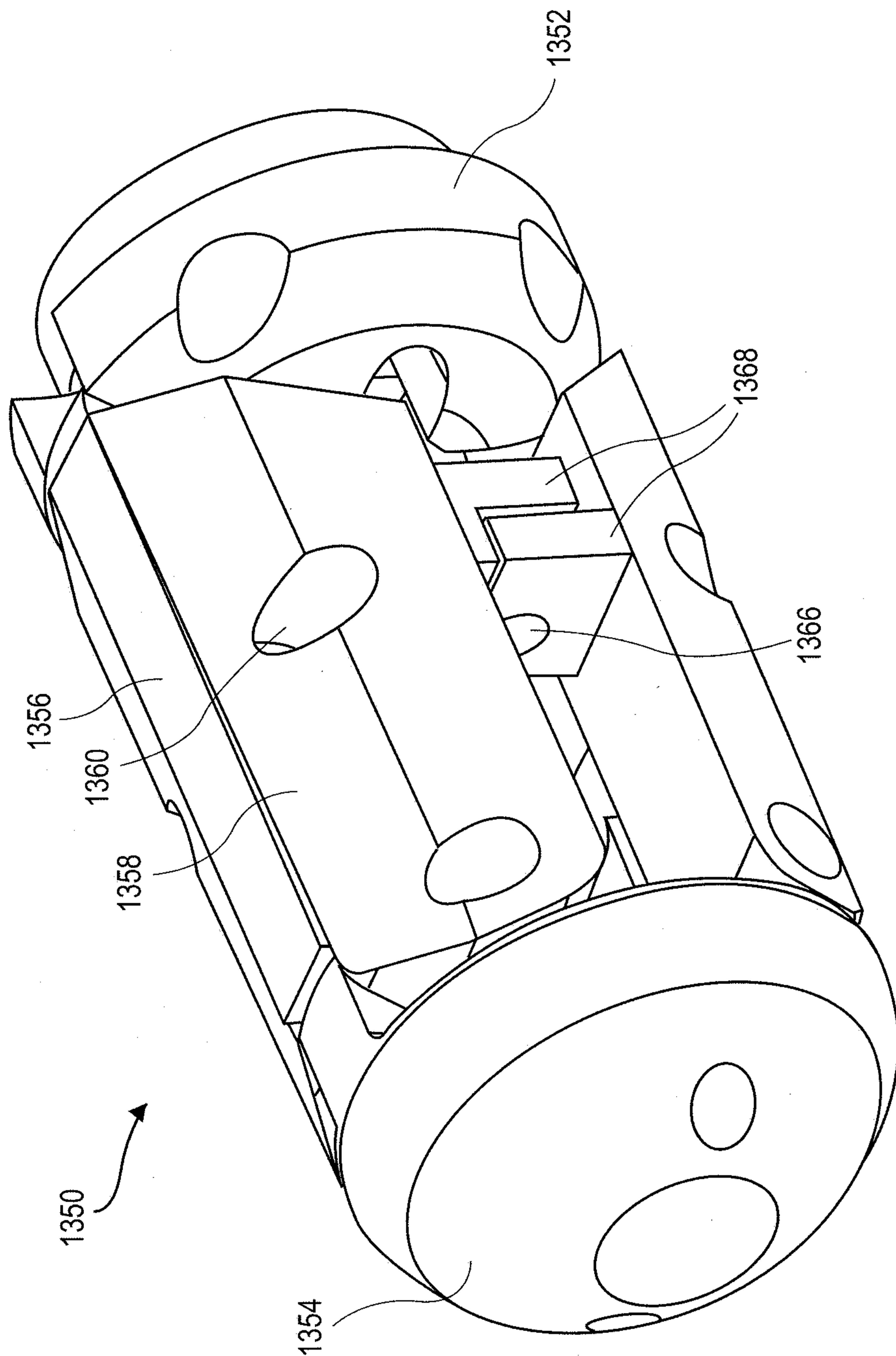


FIG. 45

54/71

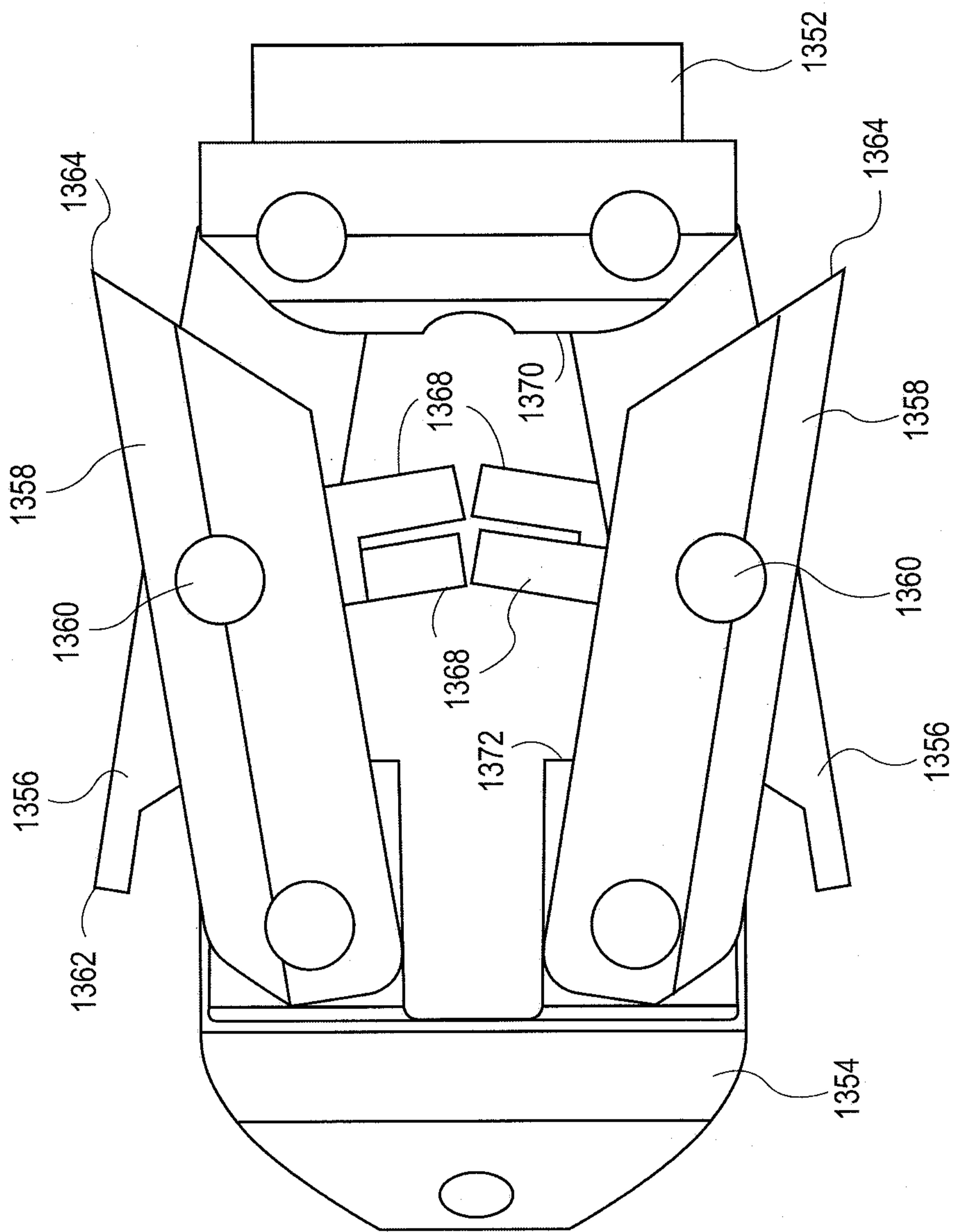
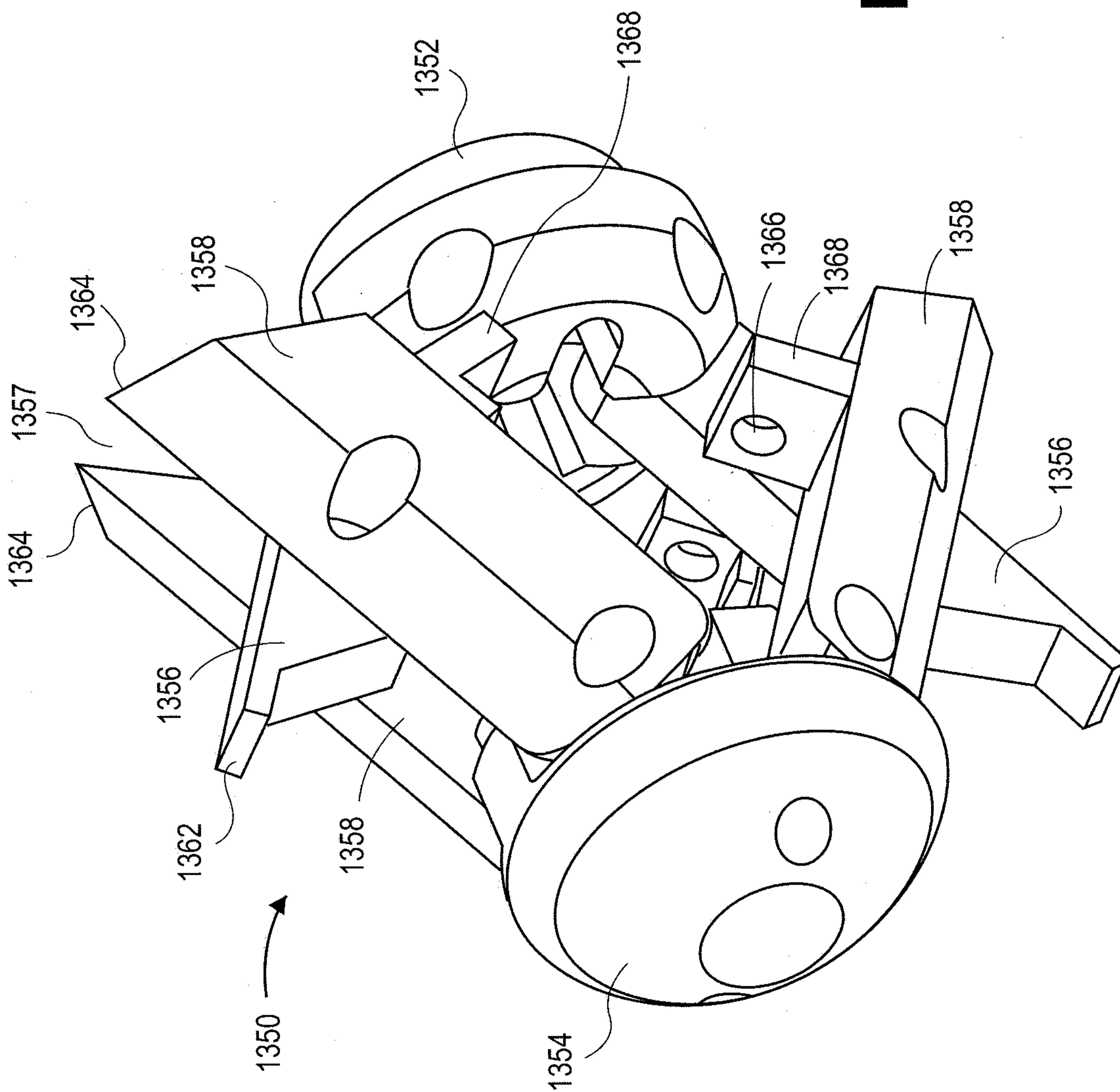


FIG. 46

FIG. 47



56/71

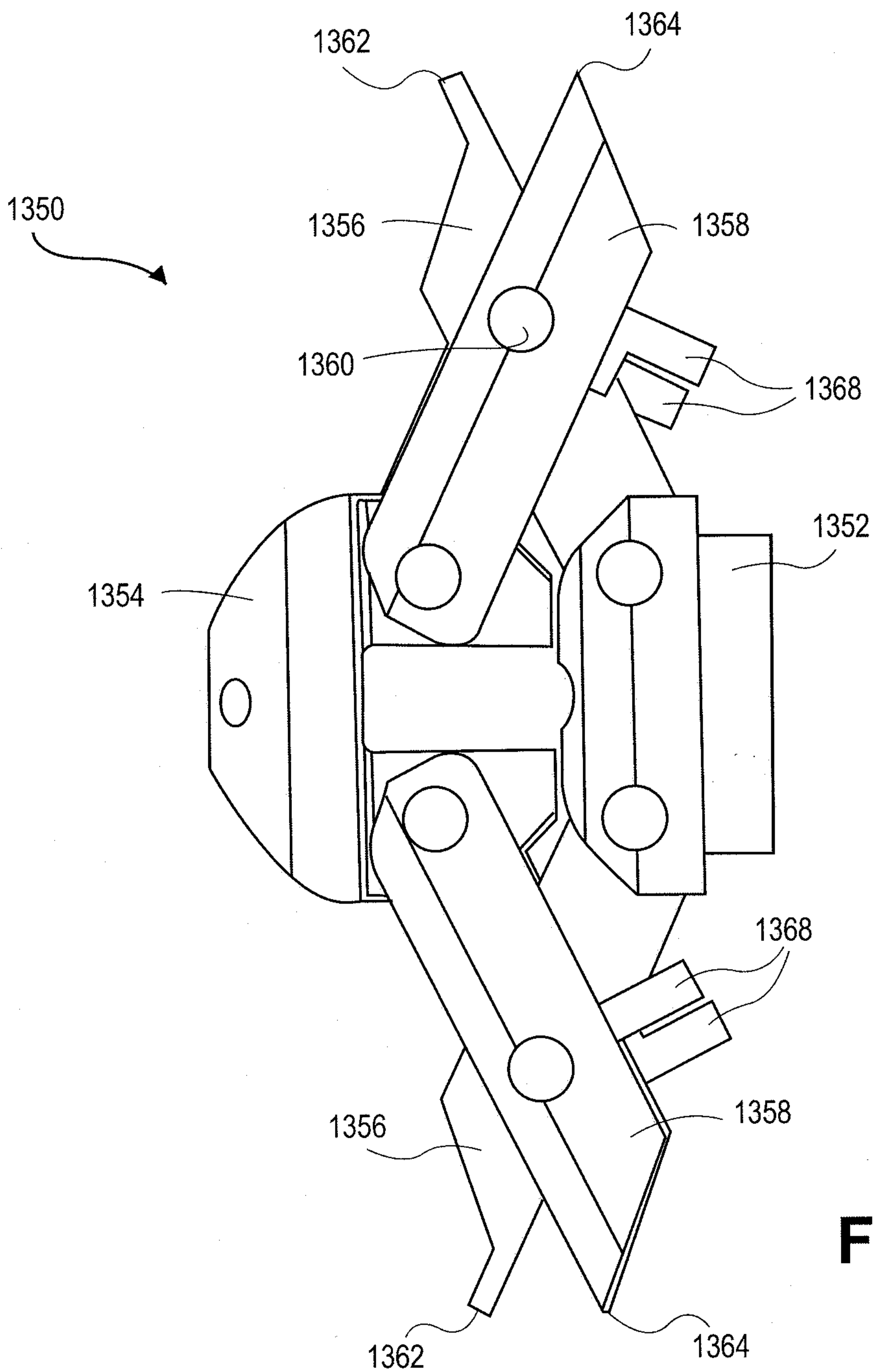


FIG. 48

58/71

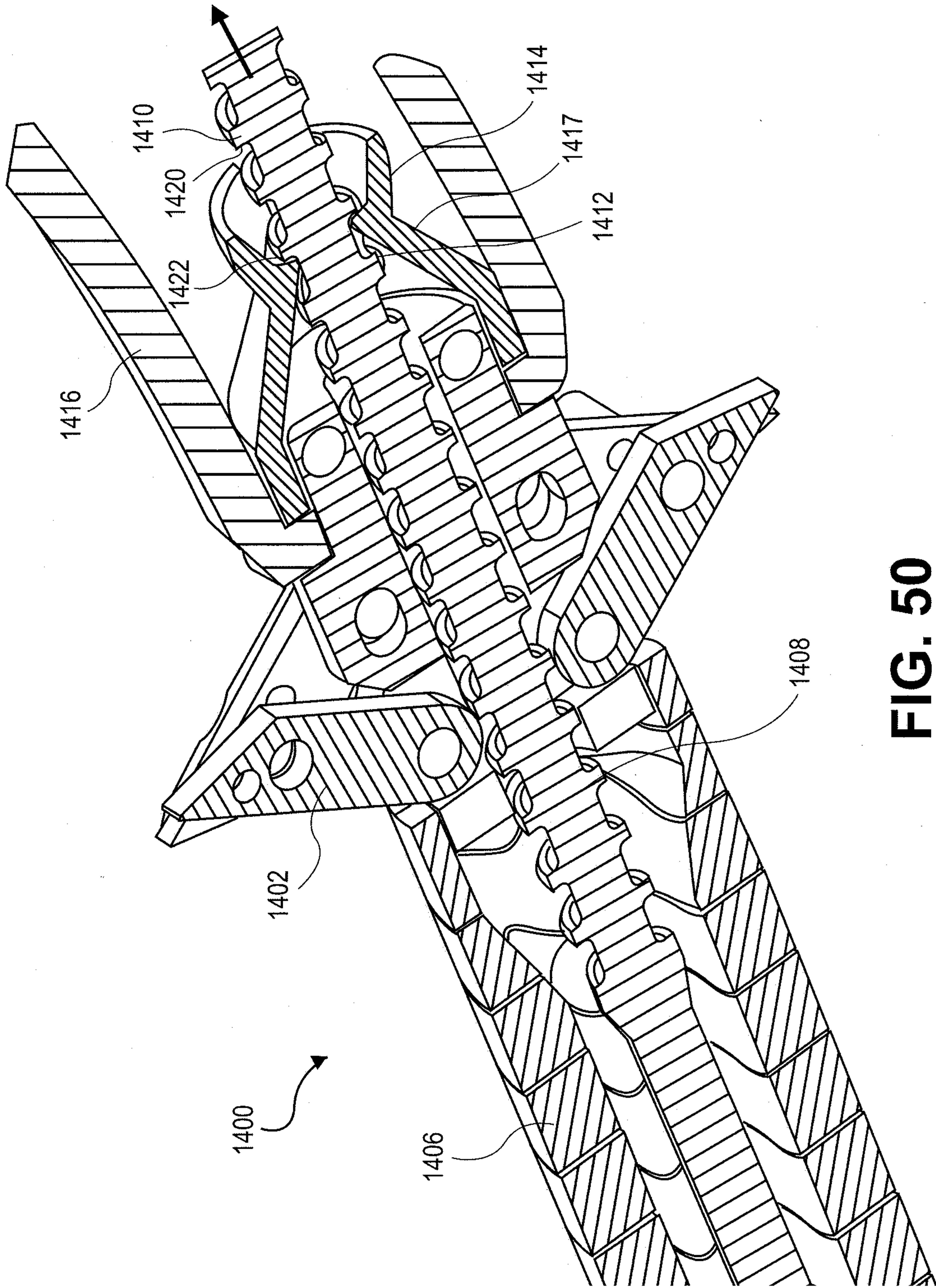


FIG. 50

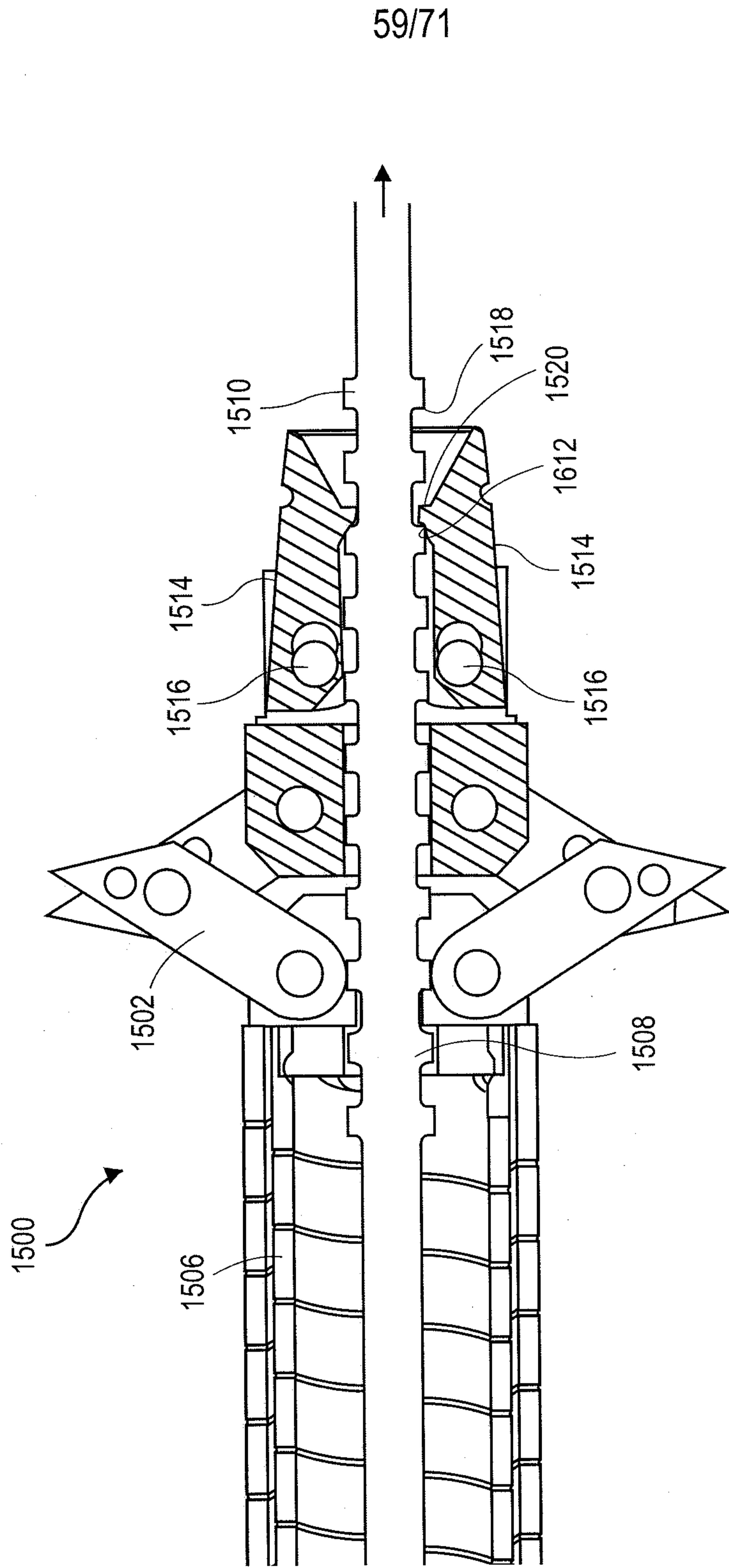


FIG. 51

60/71

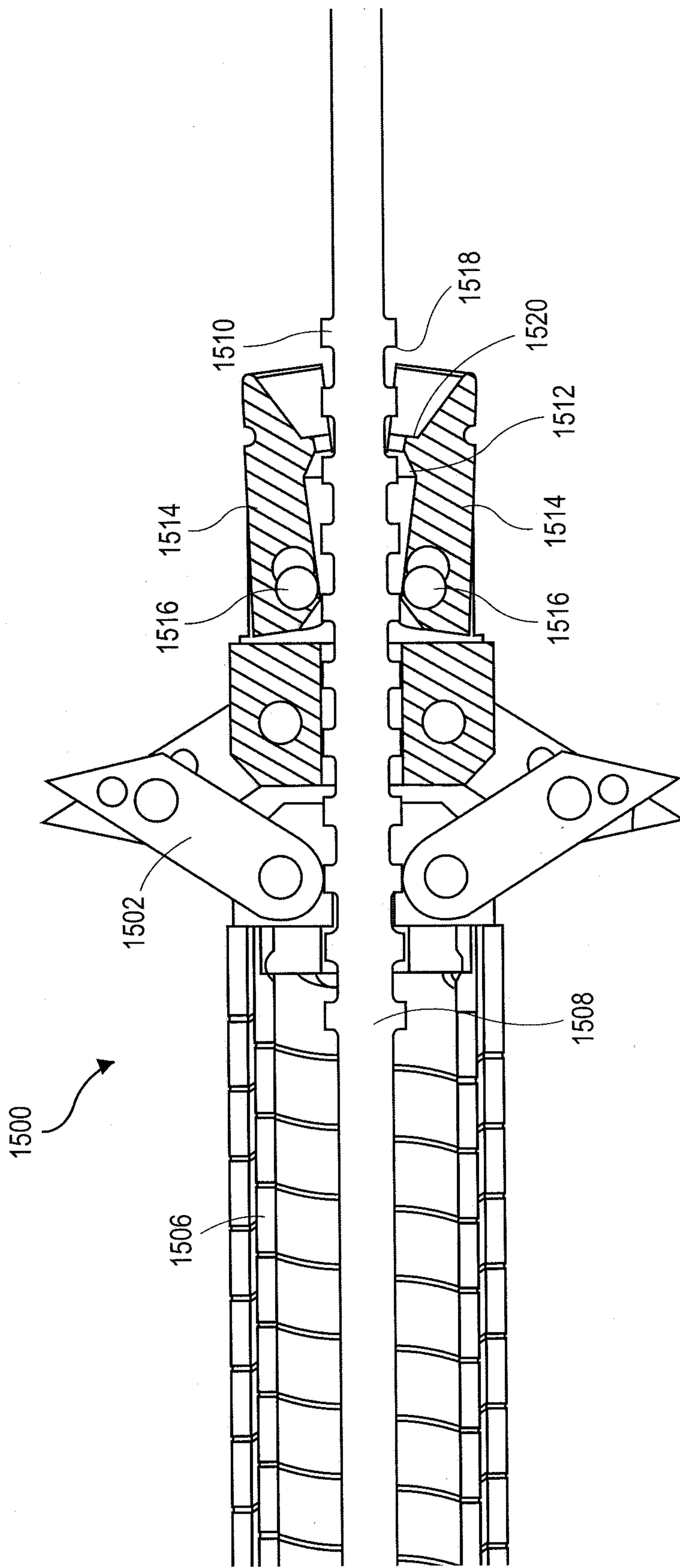


FIG. 52

61/71

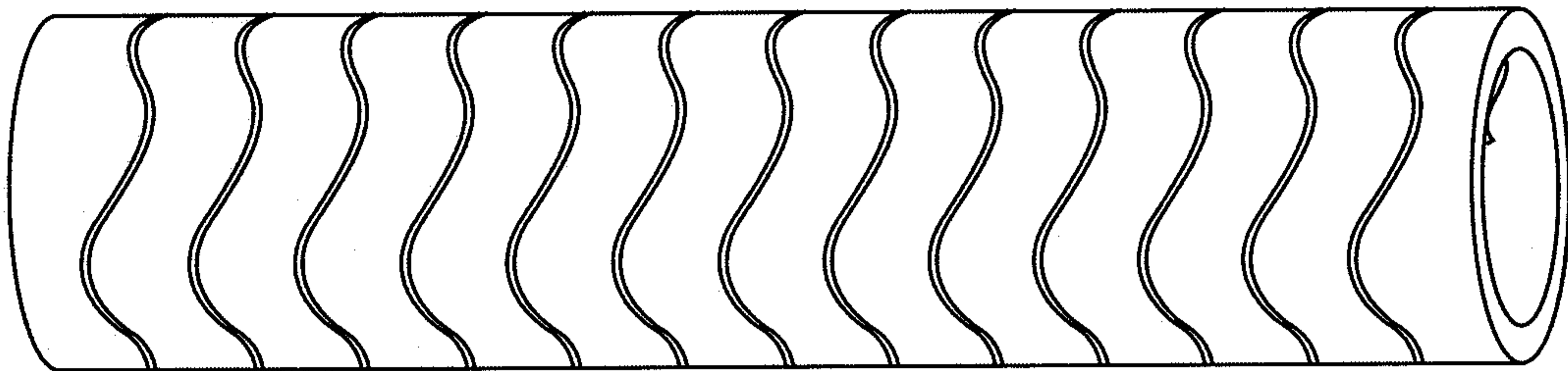
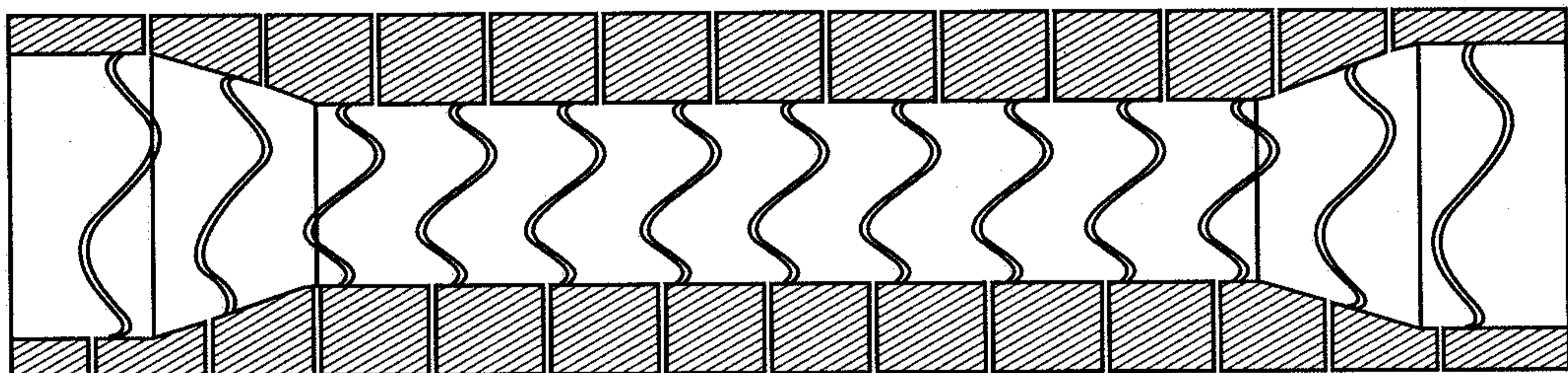


FIG. 53



Helical-Wavy cut.

FIG. 54

62/71

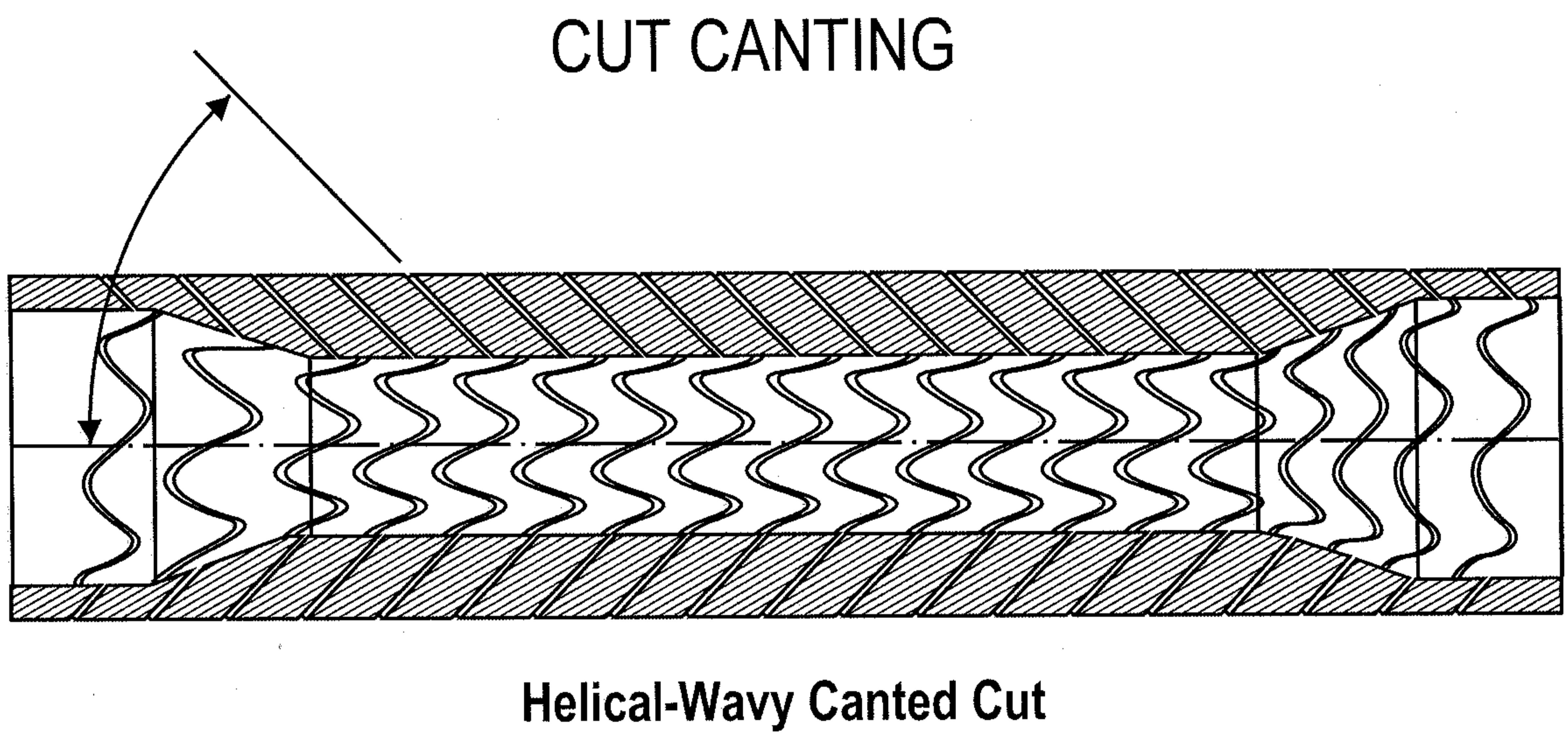


FIG. 55

63/71

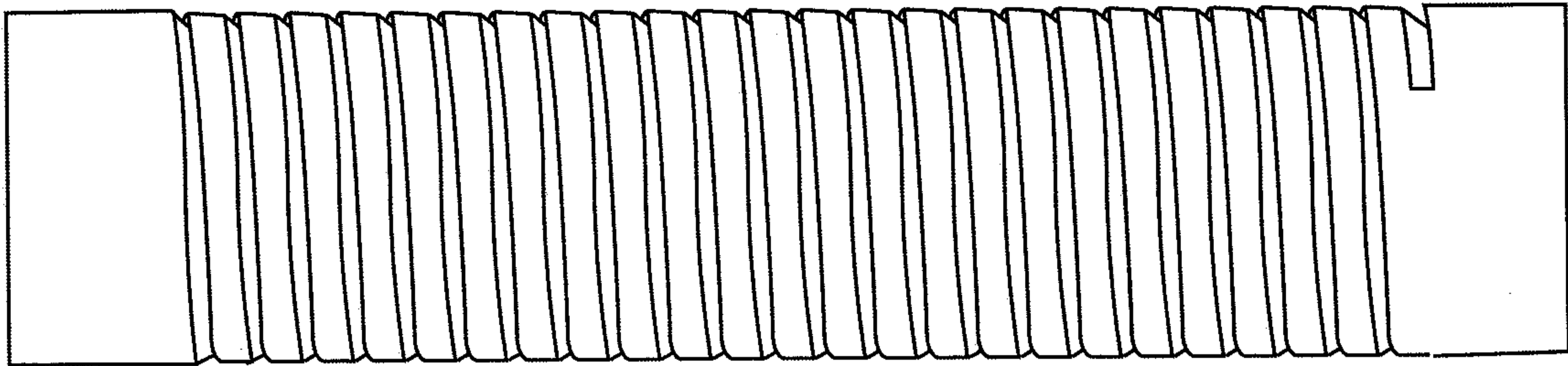


FIG. 56

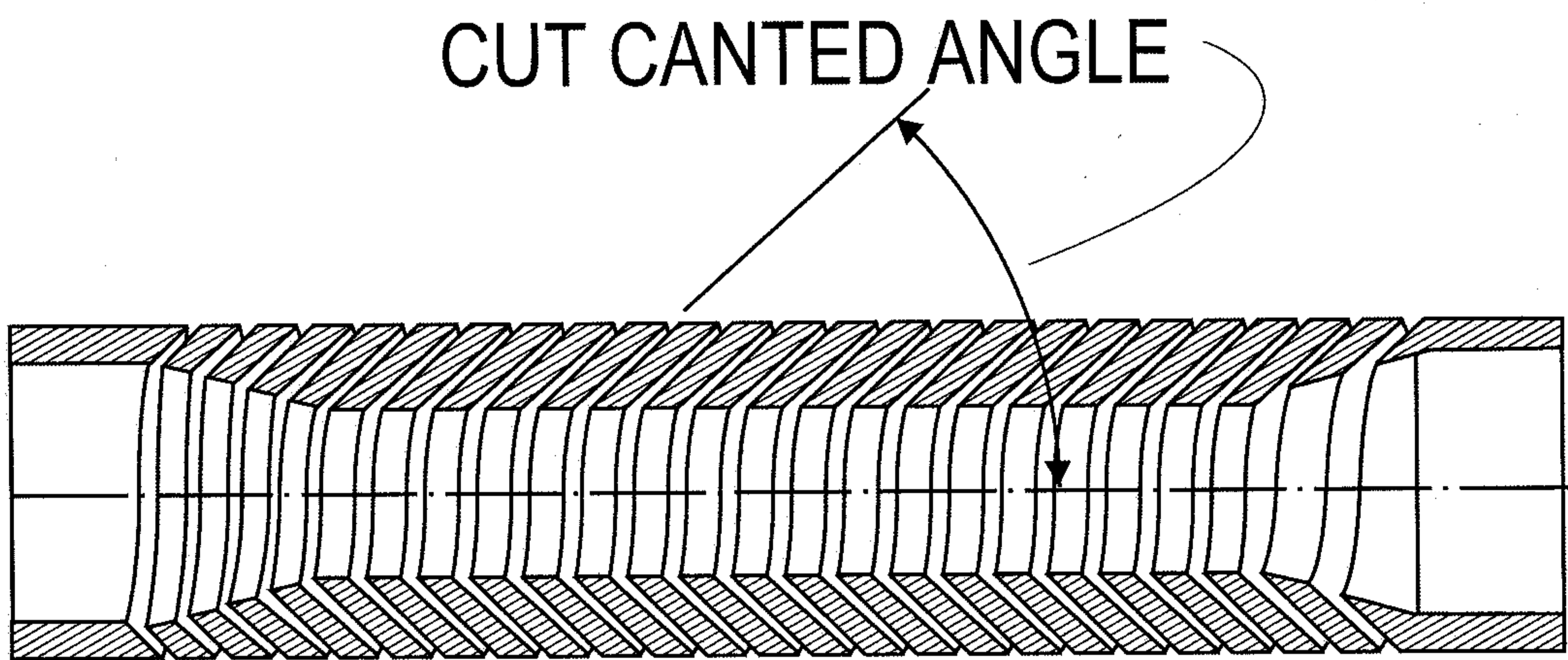


FIG. 57

64/71

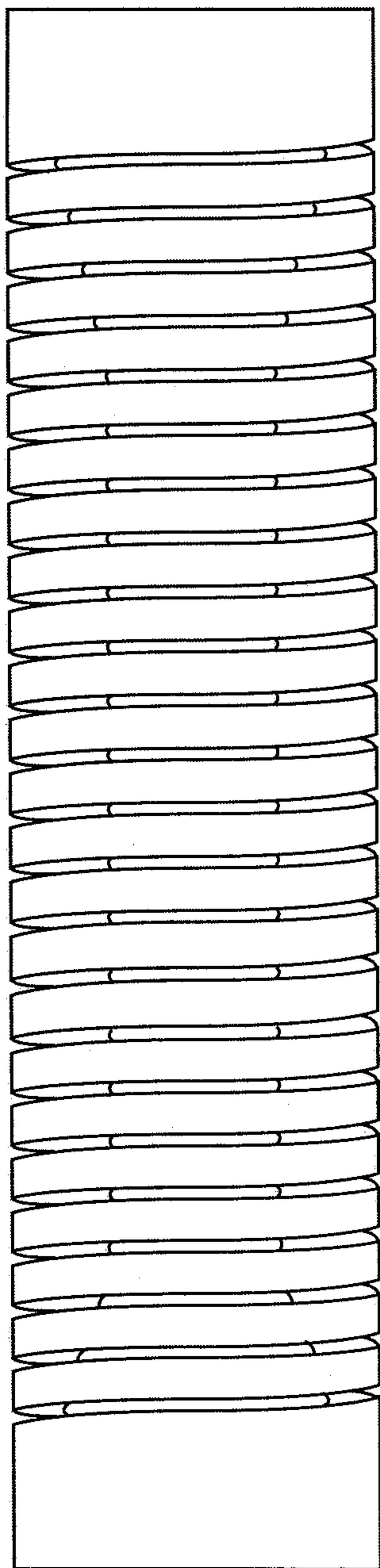
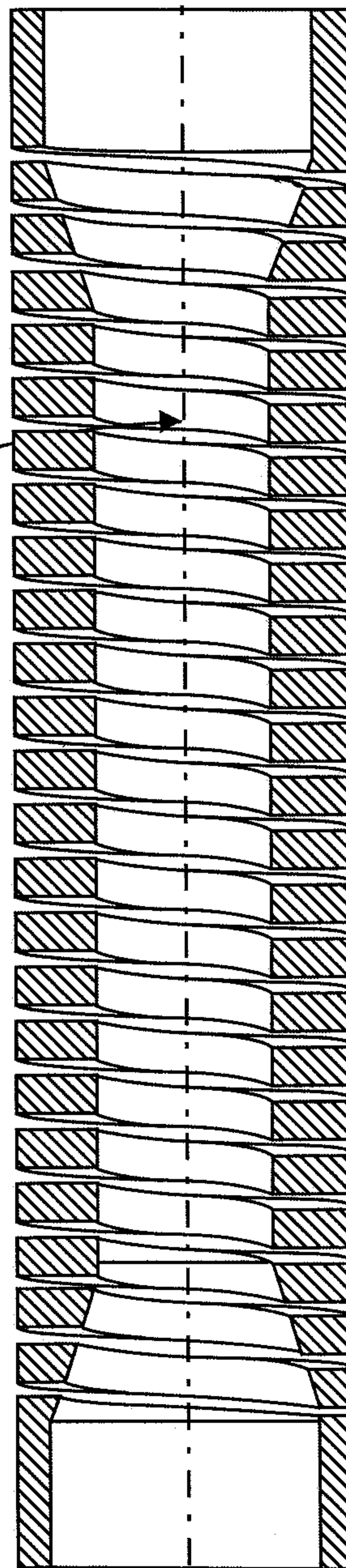


FIG. 58

90° TYP
CUT ANGLE



Helical cut

FIG. 59

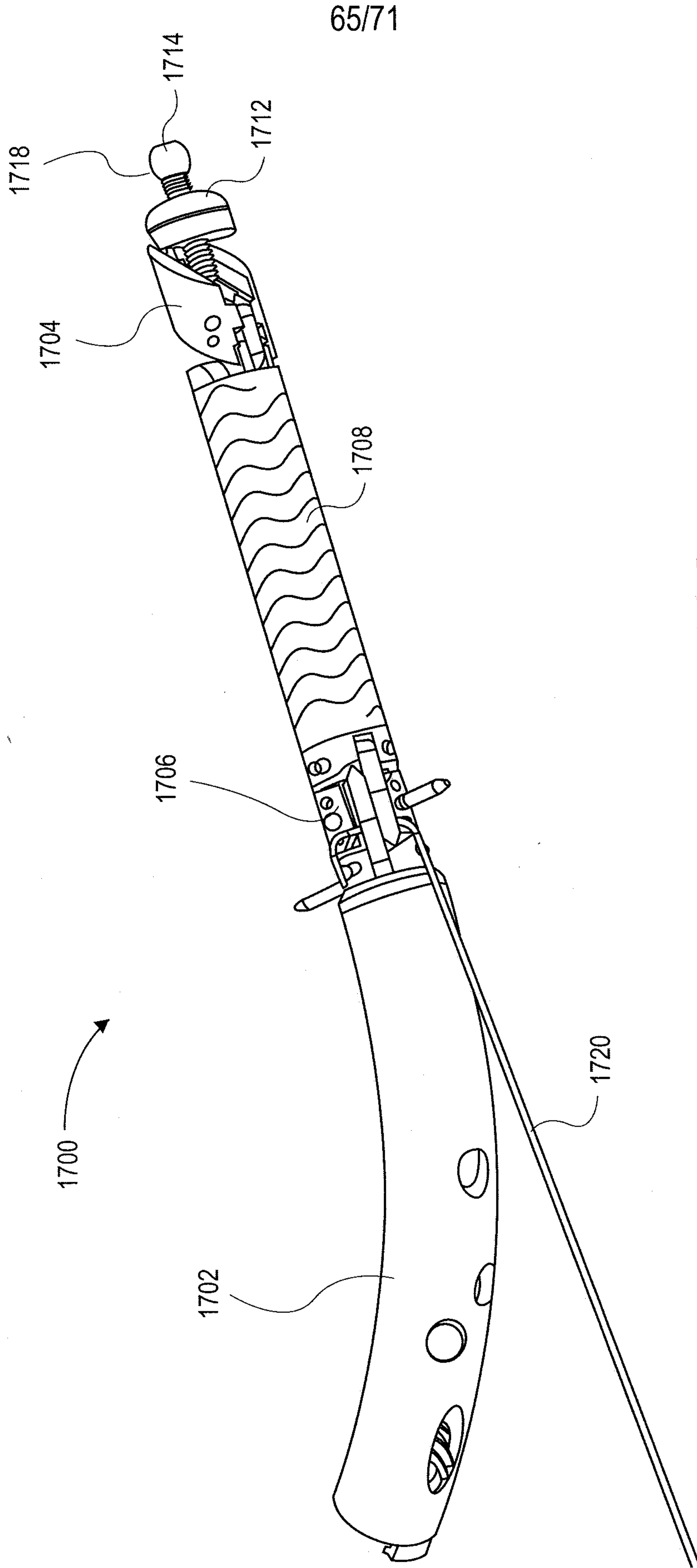


FIG. 60A

66/71

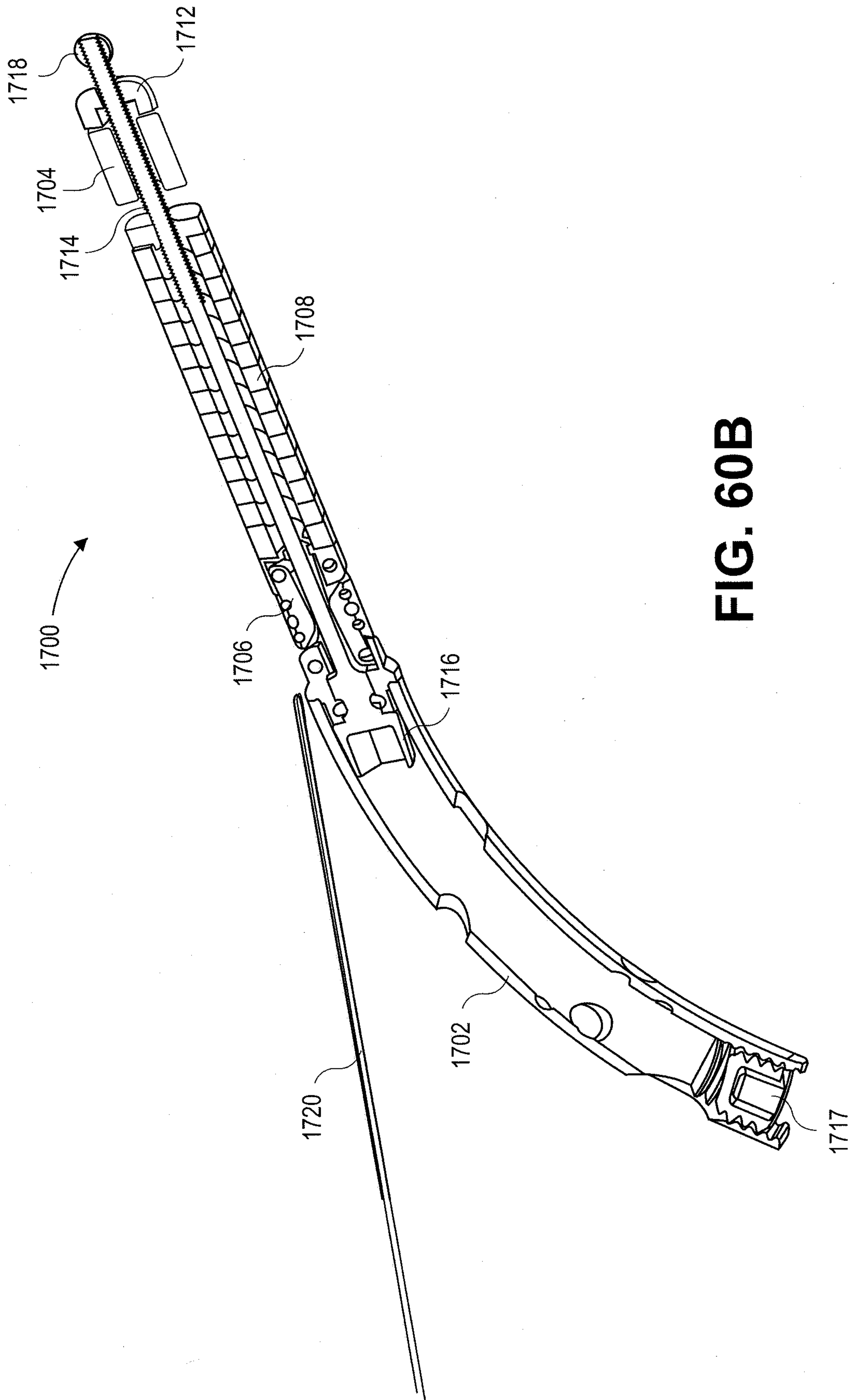


FIG. 60B

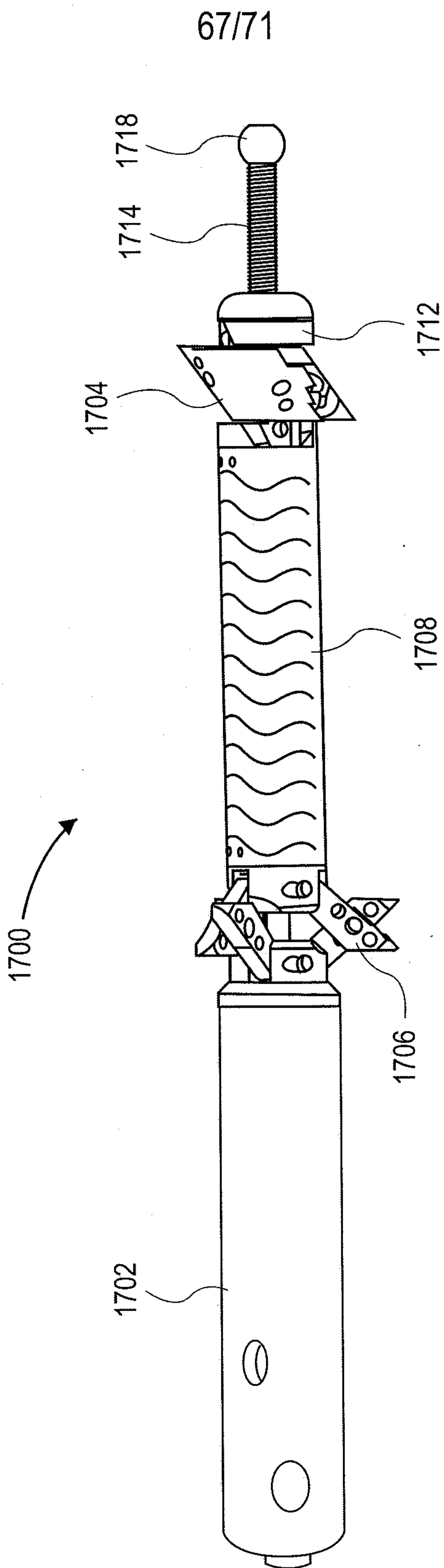


FIG. 61A

68/71

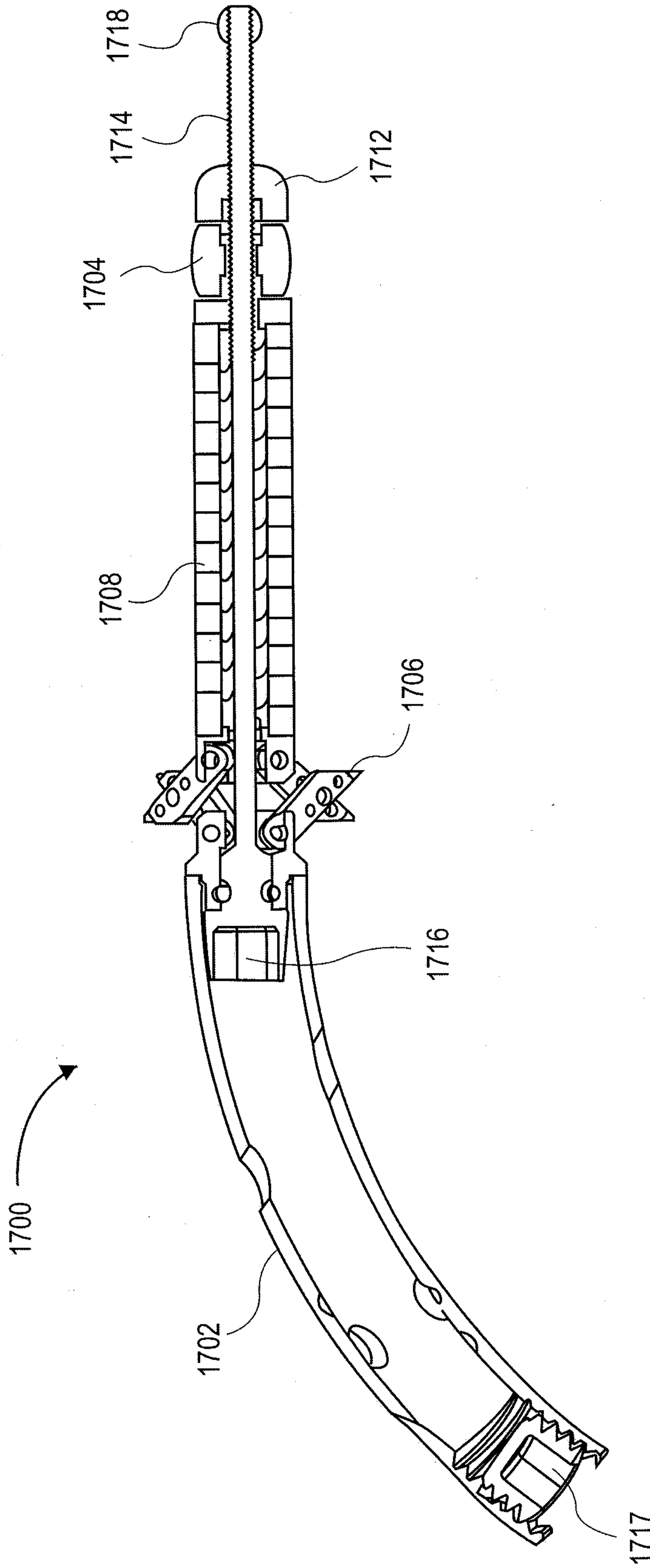


FIG. 61B

69/71

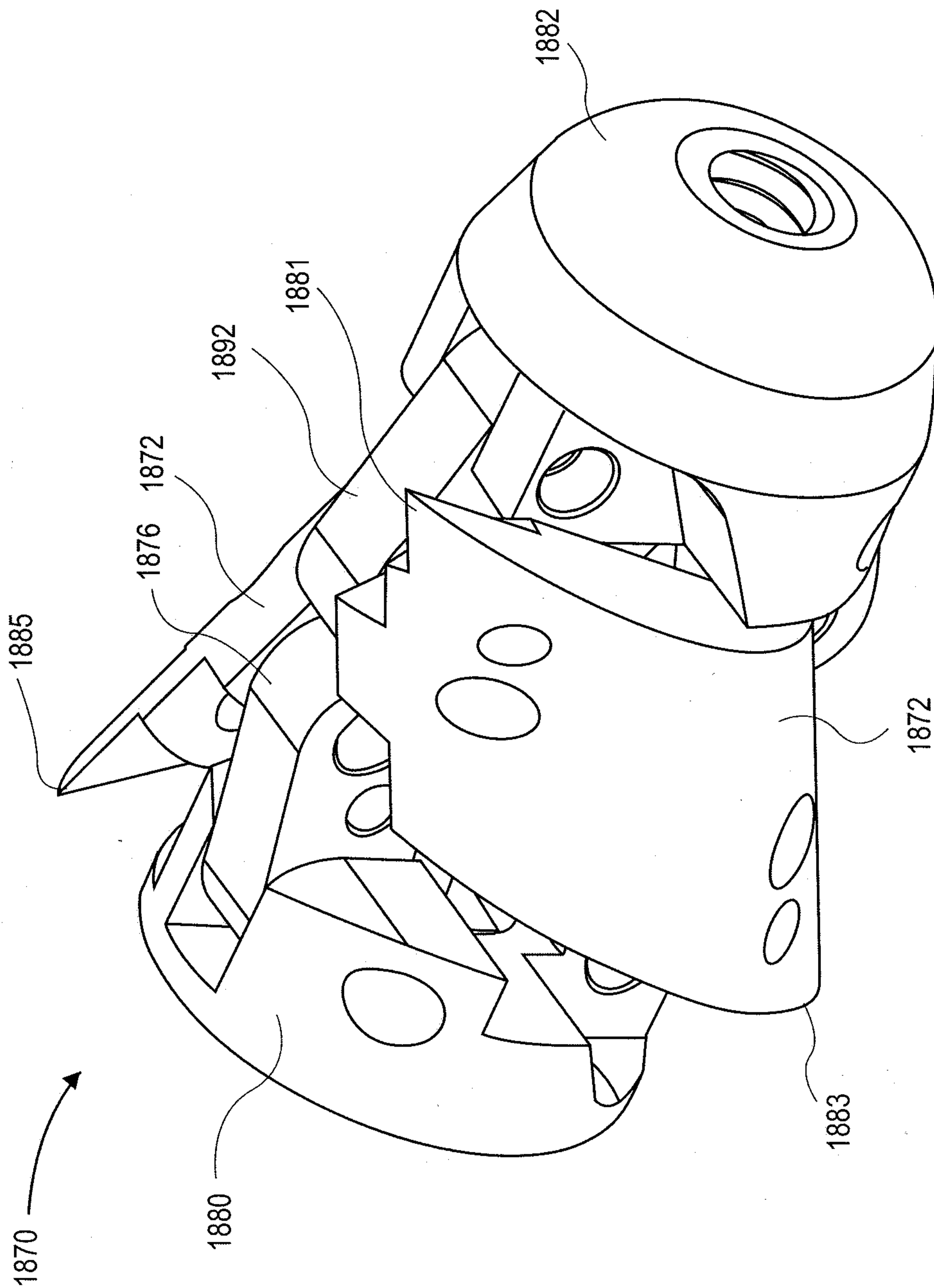
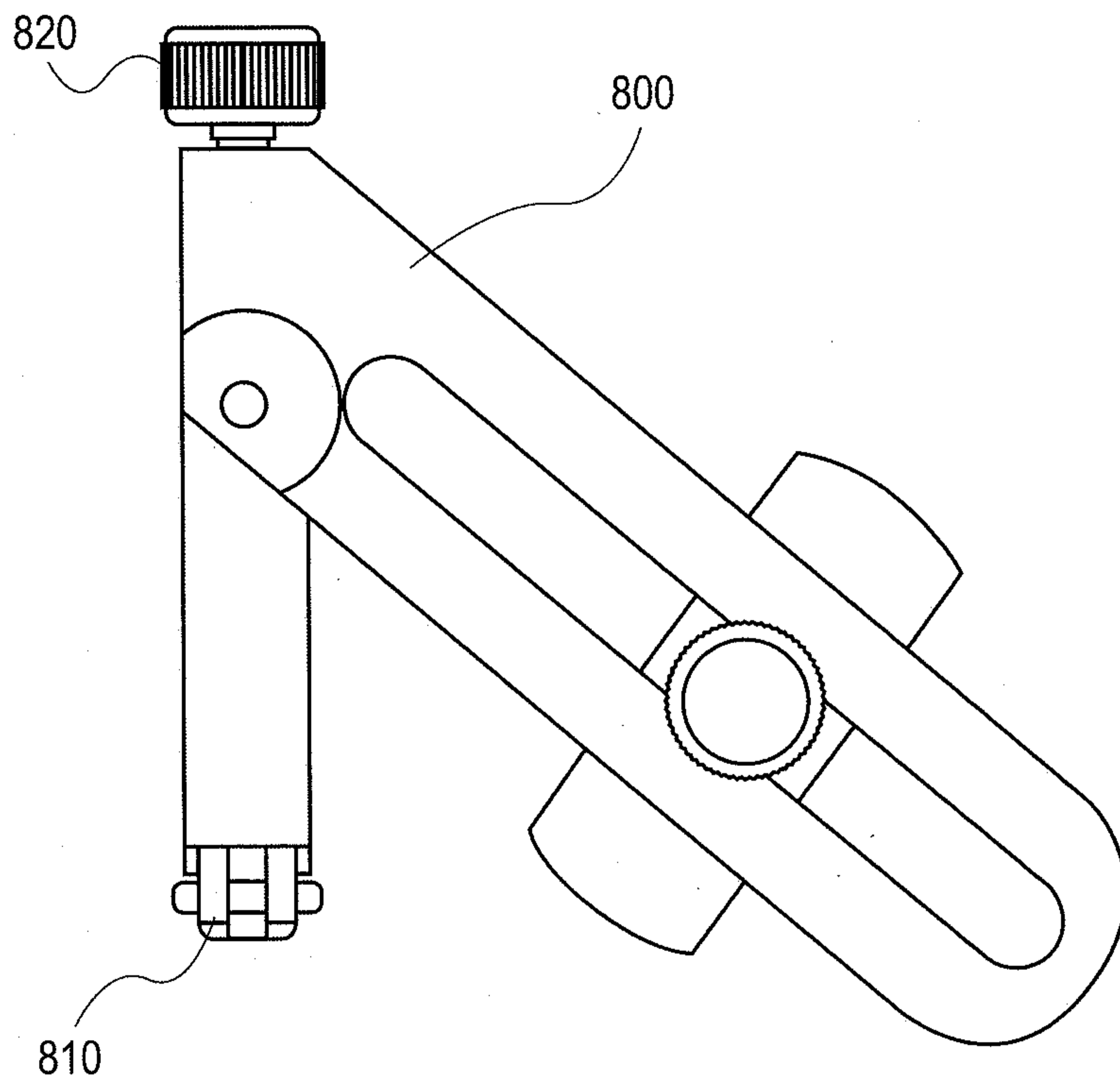


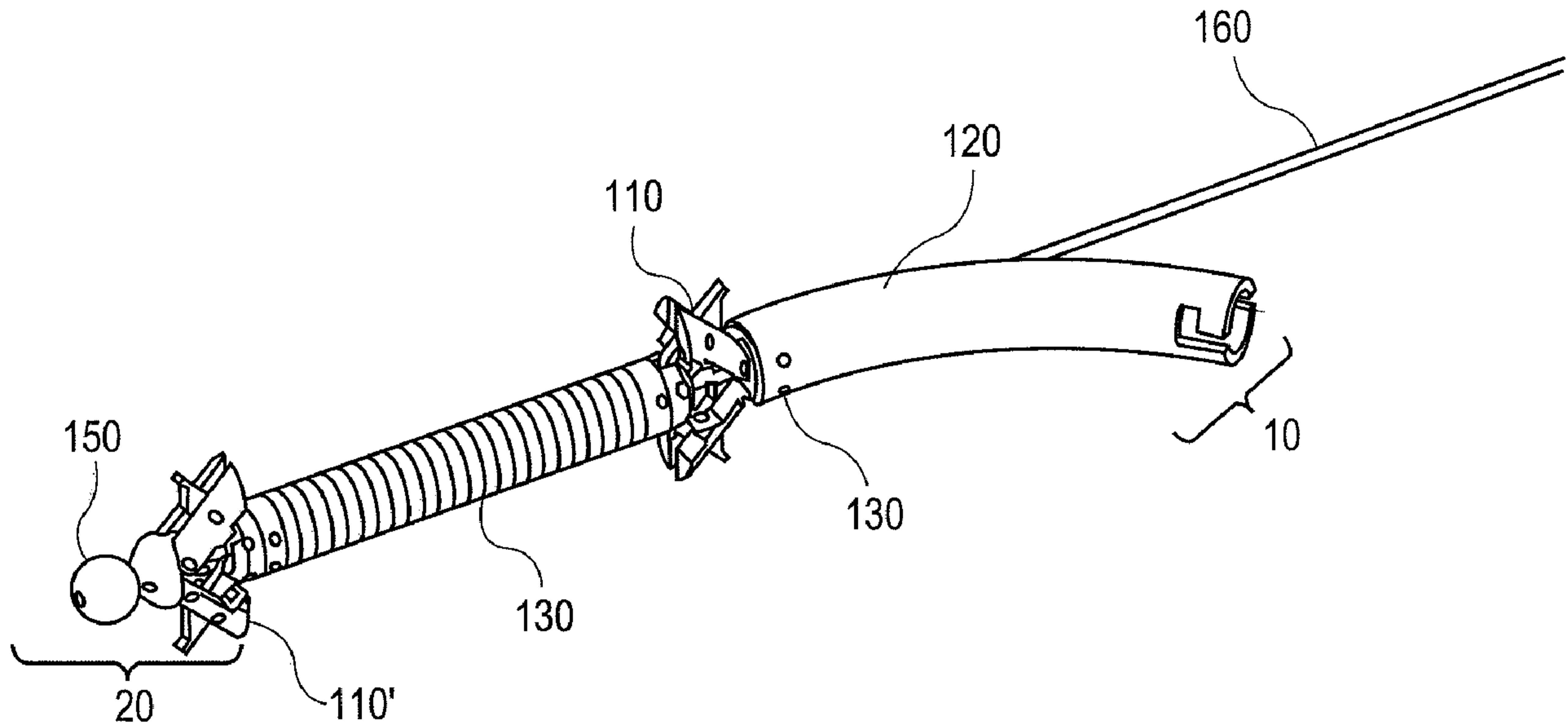
FIG. 62A

71/71



Side view of outrigger device

FIG. 63



DEPLOYED ISO

FIG. 1C