



US00D972561S

(12) **United States Design Patent** (10) **Patent No.:** **US D972,561 S**  
**Lee et al.** (45) **Date of Patent:** **\*\* Dec. 13, 2022**

(54) **COMPUTER MOUSE**

(71) Applicant: **LG ELECTRONICS INC.**, Seoul (KR)

(72) Inventors: **Heechang Lee**, Seoul (KR); **Daihyung Ryu**, Seoul (KR)

(73) Assignee: **LG ELECTRONICS INC.**, Seoul (KR)

(\*\*) Term: **15 Years**

(21) Appl. No.: **35/512,994**

(22) Filed: **May 20, 2021**

(80) **Hague Agreement Data**

Int. Filing Date: **May 20, 2021**

Int. Reg. No.: **DM/214634**

Int. Reg. Date: **May 20, 2021**

Int. Reg. Pub. Date: **Nov. 26, 2021**

(30) **Foreign Application Priority Data**

Dec. 1, 2020 (KR) ..... 30-2020-0058911

(51) **LOC (13) Cl.** ..... **14-03**

(52) **U.S. Cl.**  
USPC ..... **D14/407**

(58) **Field of Classification Search**

USPC ..... D14/402-411, 356, 388, 389, 383-385,  
D14/417, 426; 345/156-167; 463/36-38;  
358/471, 473; 273/148 B

CPC ..... G06F 3/03543; G06F 2203/0333; G06F  
3/039; G06F 3/038; G06F 2203/0384

See application file for complete search history.

(56) **References Cited**

U.S. PATENT DOCUMENTS

D643,429 S \* 8/2011 Ferwerda ..... D14/407  
D662,096 S \* 6/2012 Yu ..... D14/407  
D709,884 S \* 7/2014 Shim ..... D14/407  
D753,659 S \* 4/2016 Schoeck ..... D14/407  
D757,728 S \* 5/2016 Schoeck ..... D14/407  
D757,729 S \* 5/2016 Schoeck ..... D14/407  
D766,242 S \* 9/2016 Moon ..... D14/407  
D933,658 S \* 10/2021 Chen ..... D14/407  
D948,509 S \* 4/2022 Cheng ..... D14/407

\* cited by examiner

*Primary Examiner* — Austin Murphy

(74) *Attorney, Agent, or Firm* — Birch, Stewart, Kolasch & Birch, LLP

(57) **CLAIM**

The ornamental design for a computer mouse, as shown and described.

**DESCRIPTION**

1. Computer mouse

1.1 : Perspective

1.2 : Front

1.3 : Back

1.4 : Left

1.5 : Right

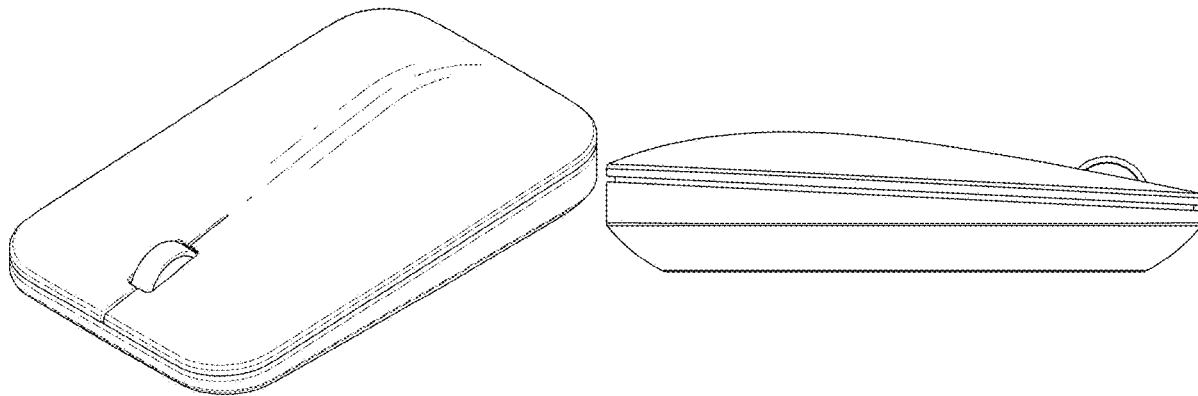
1.6 : Top

1.7 : Bottom

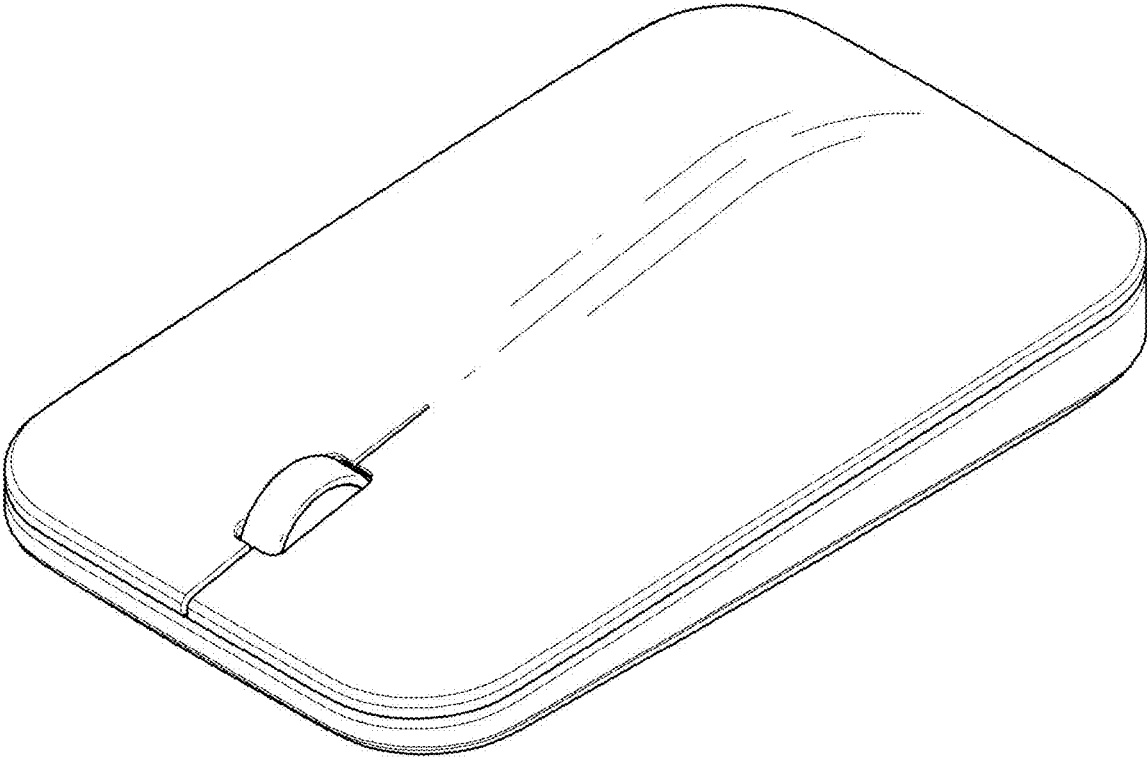
1.8 : Reference

Reproduction 1.8 shows the state of use with a top cover in different size; the broken lines are for the purpose of illustrating environment only and form no part of the claimed design.

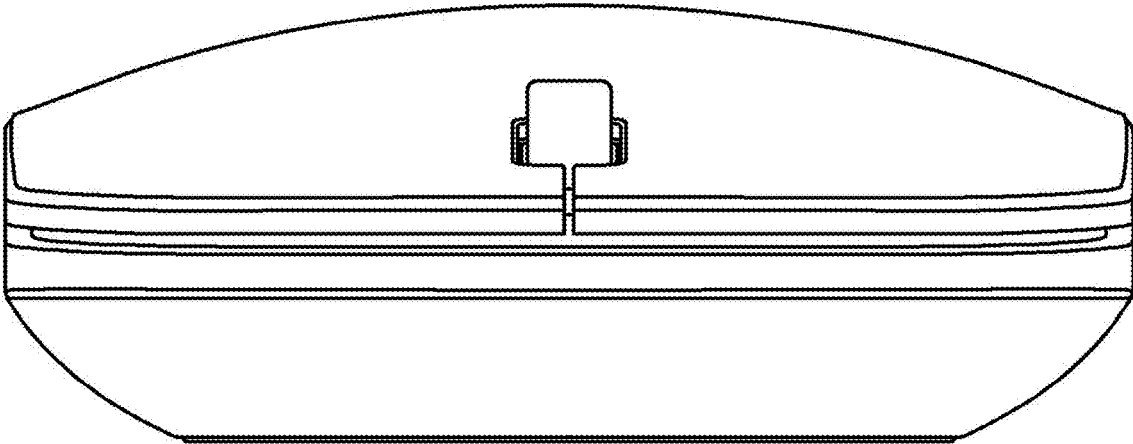
**1 Claim, 8 Drawing Sheets**



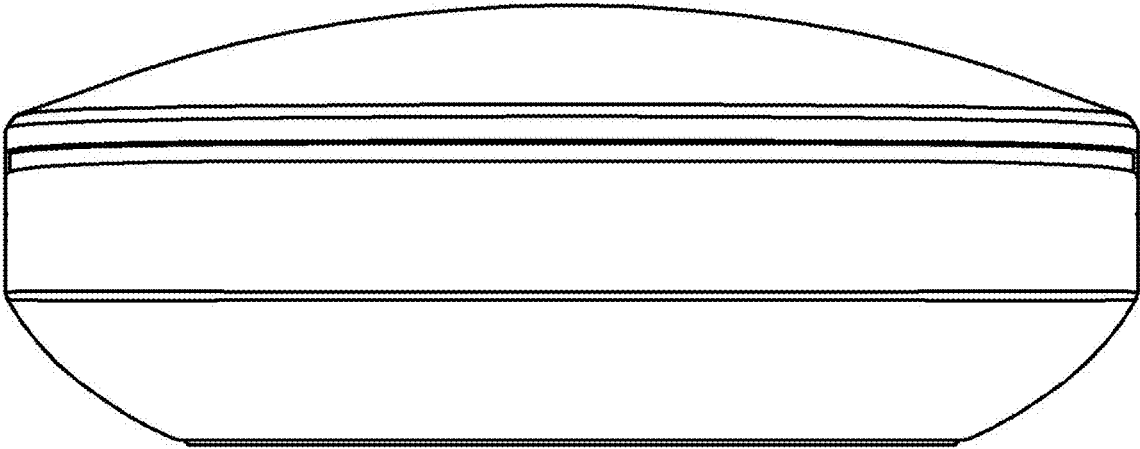
1.1



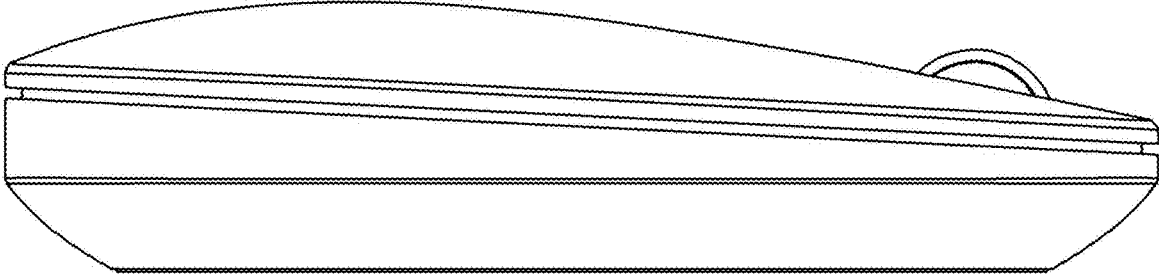
1.2



1.3



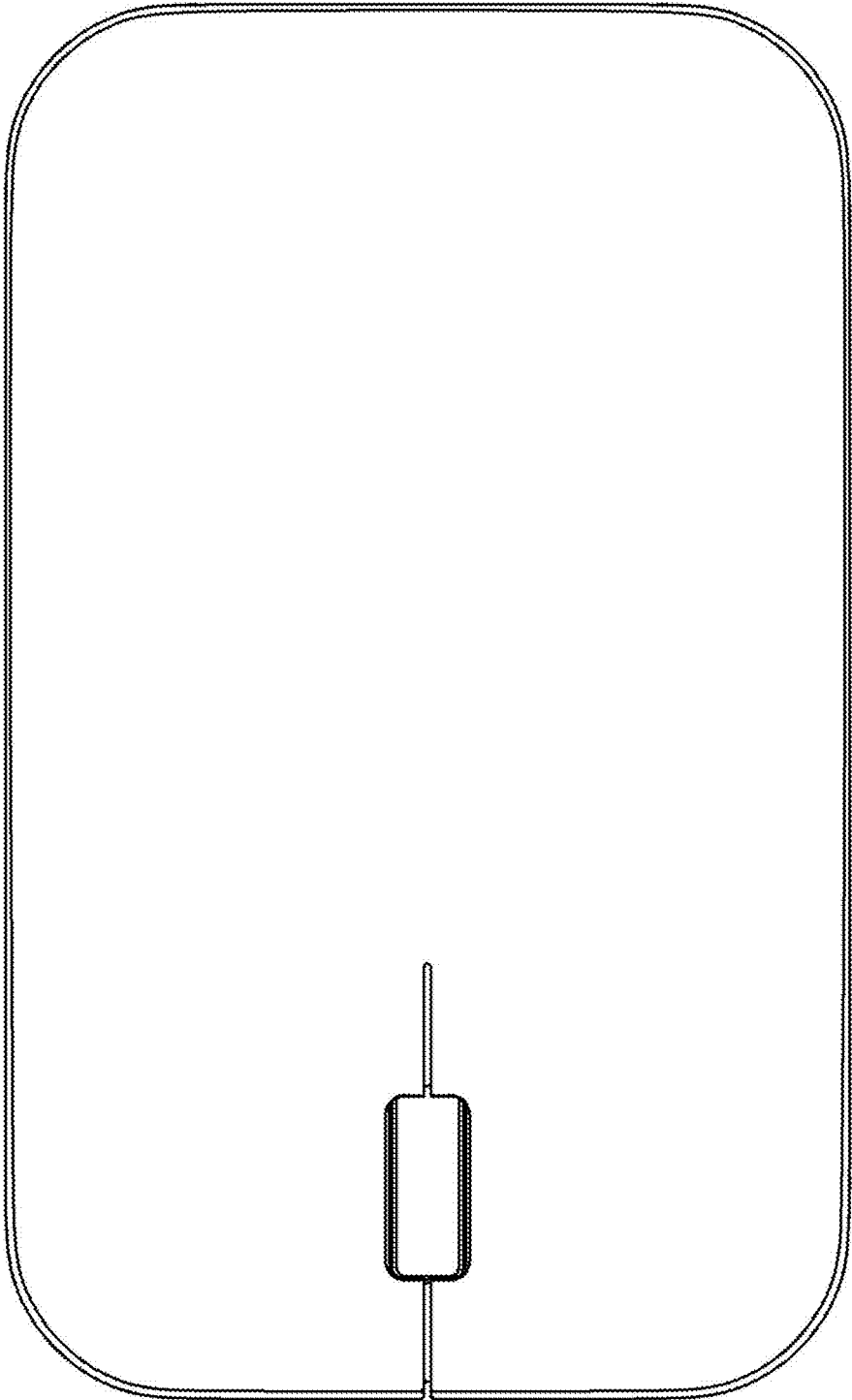
1.4



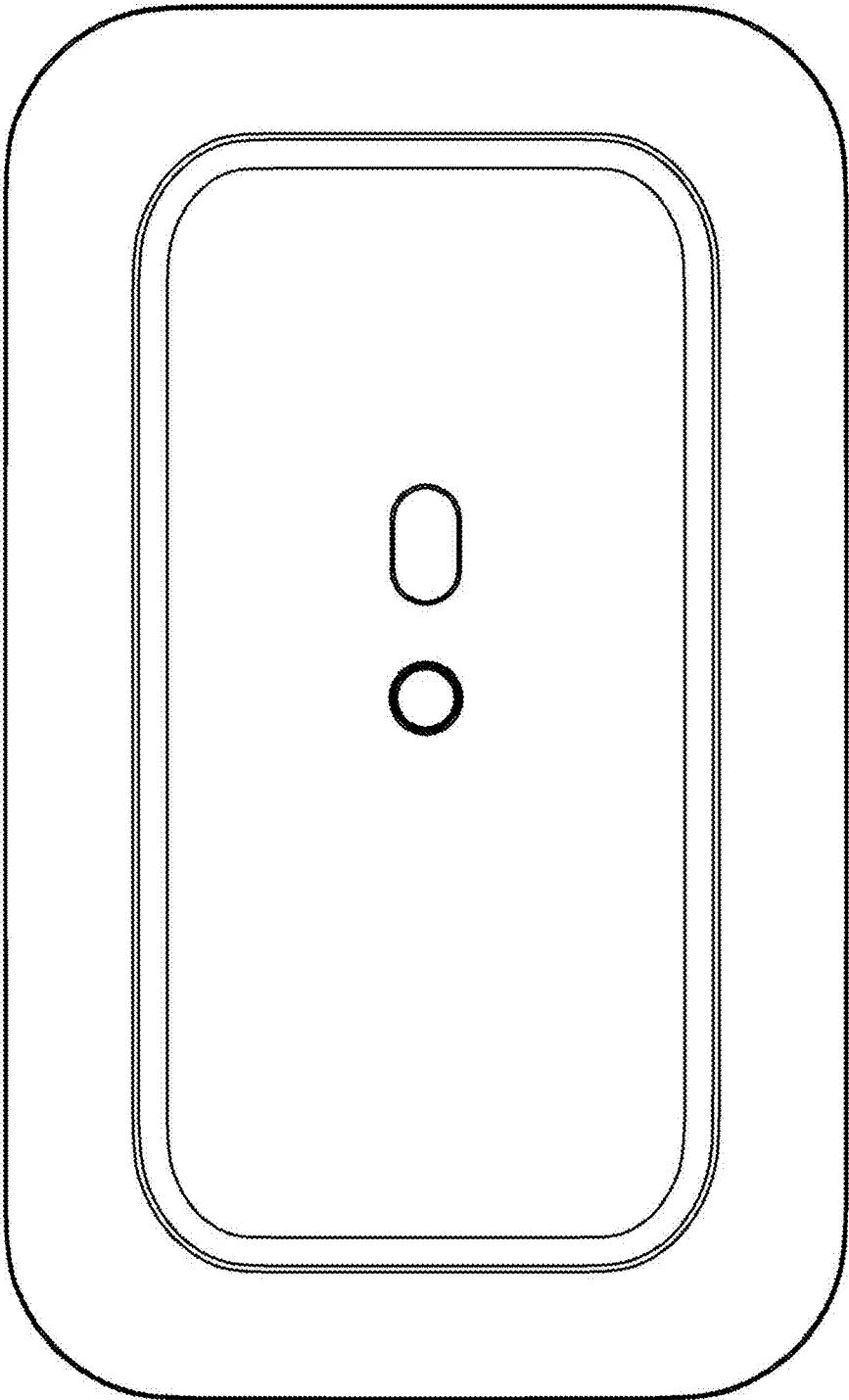
1.5



1.6



1.7





1.8

